



GENERAL PURPOSE GAUGES

Model P-590 Weather Resistant ABS Case Gauges

DESCRIPTION

The ABS case gauges are weather and rust resistant. The ABS case and polycarbonate window are resistant to most chemicals, allowing continuous exposure to many chemical, petrochemical, and industrial plant atmospheres. However, these gauges are suitable only for use on process media which are non-corrosive to brass, phosphor bronze, or beryllium copper.

SPECIFICATIONS

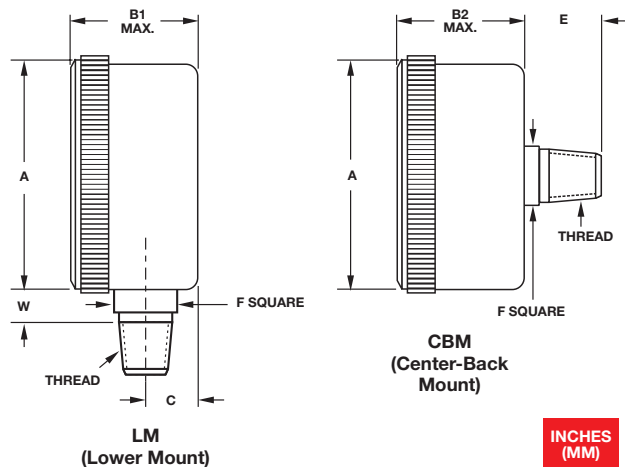
- SIZES:** 1-1/2", 2"
- RANGES:** 1-1/2" P-590 with 1/8-27 NPT, LM or CBM – 0-15 through 0-160 psi; 2" P-590 with 1/4-18 NPT, LM or CBM – 0-30 through 0-300 psi
- ACCURACY:** ±3-2-3% of span (Grade B)
- BOURDON TUBE:** Beryllium copper 15 psi; phosphor bronze above 15 psi, soft soldered
- WINDOW:** Polycarbonate, twist-on style
- MOVEMENT:** Brass
- DIAL:** Galvalume, white background with black markings
- POINTER:** Galvalume, black finish
- CASE:** Gray, ABS
- CONNECTION:** 1-1/2" or 2" 1/8-27 NPT, or 2" 1/4-18 NPT, brass

Other sizes, ranges, and mounting configurations are available for OEM quantities

Model P-590
Lower Mount



Model P-590
Center-Back Mount



**INCHES
(MM)**

Dimensions – P-590

Dial Sizes	Unit	A	B1*	B2*	C	E	F	W
1-1/2"	inches	1.78	.95	.95	.36	.60	.44	.17
	mm	45.21	24.13	24.13	9.14	15.24	11.18	4.32
2"	inches	2.27	1.19	1.19	.41	.74	.55	.25
	mm	57.66	30.23	30.23	10.41	18.80	13.97	6.35

* B1: LM (lower mount); B2: CBM (center-back mount)



On-line order fax: +1 215-323-9450 or e-mail: usg.sales@ametek.com
Sales/Technical Support: +1 215-674-1234 | 205 Keith Valley Road | Horsham PA 19044 U.S.A.





GENERAL PURPOSE GAUGES

Model P-590 Weather Resistant ABS Case Gauges

Spec Number Selection Chart

Model P-590						
Connection	Ranges	1-1/2" Spec No.	2" Spec No.	Connection	Ranges	2" Spec No.
1/8-27 LM	0-15 psi	146989A	-	1/4-18 LM	0-15 psi	-
	0-30 psi	146990A	-		0-30 psi	160652A
	0-60 psi	146991A	-		0-60 psi	160653A
	0-100 psi	146992A	-		0-100 psi	160654A
	0-160 psi	146993A	-		0-160 psi	160655A
	0-200 psi	-	-		0-200 psi	160656A
	0-300 psi	-	-		0-300 psi	160657A
1/8-27 CBM	0-15 psi	146994A	-	1/4-18 CBM	0-15 psi	-
	0-30 psi	146995A	160650A		0-30 psi	160658A
	0-60 psi	146996A	-		0-60 psi	160659A
	0-100 psi	146997A	-		0-100 psi	160660A
	0-160 psi	146998A	160651A		0-160 psi	160661A
	0-200 psi	-	-		0-200 psi	160662A
	0-300 psi	-	-		0-300 psi	160663A