

Time Delta S

Fixed Transit-Time Flow Meter System

Key Features

- Dynamic flow correction
- Simple configuration
- Digital outputs
- Enhanced anti-bubble measurement technology (ABM)
- Rugged and reliable
- Maintenance free

The Time Delta S is a fixed ultrasonic flow meter based on the transit-time measurement method for measuring flow rates of relatively clean homogeneous liquids utilizing clamp-on sensors. Thanks to microprocessor-based electronics, the flow meter can be easily configured from the front keyboard to particular applications. The Time Delta S is ideally suited for liquid flow measurement for pipe diameters from 0.50 to 235 inches. Systems are composed of a converter and sensor set. Applications include flow measurement of any fluid through which an ultrasonic signal may be transmitted, including those of unknown sound velocities. The flow meter is a compact and lightweight instrument incorporating the latest electronics and high speed digital signal processing technologies (32 bit MPU), resulting in high performance and easy operation.

Features

- **Dynamic flow correction** – system develops characteristic profiles to correct for optimal flow rates across the velocity range
- **Simple configuration** – complete setup from front keyboard and menu driven software interface
- **Digital outputs** – 2 outputs may be configured for totalizer pulse, flow switch, range limiting, overflow, memory alarm, and abnormal signal condition
- **Enhanced anti-bubble measurement technology (ABM)** – removes the effect of entrapped and suspended flow bubbles
- **Rugged and reliable** – NEMA-6 (IP67) enclosure makes Time Delta S well suited to most industrial environments
- **Maintenance free** – no moving parts provides long-term reliable operation
- **High accuracy** – $\pm 0.5\%$ to $\pm 1.0\%$ of velocity typical on calibrated system

Performance Specifications for the Converter

Fluid Conditions

Measured fluid Homogeneous liquids (water, sea water, hydrocarbons or fluid of unknown sound velocity) capable of ultrasonic wave propagation

Fluid turbidity 10000 deg. (mg/l) or less

State of flow Axis-symmetric flow in pipe totally filled with fluid

Fluid temperature Standard Temperature Sensor: -40 to 212°F (-40 to 100°C). High-Temperature Sensor: -40 to 390°F (-40 to 200°C)

Velocity range 0.06 to 105 ft/sec (0.018 to 32 m/sec) bi-directional flow

Piping Conditions

Pipe material Carbon steel, stainless steel, cast iron, copper, pvc, aluminum, ductile iron, asbestos, frp, peek, pvdf, acrylic and other. If other is selected, pipe materials

with a sonic velocity range of 3280 to 12136 ft/sec (1000 to 3700 m/sec) can be selected via the keypad (sonic velocity information for several pipe materials is included in the Operator Manual)

Pipe size Small pipe range detector: 0.50 to 4.0 in (13 to 100mm), 2 to 16 in (50 to 400mm). Universal pipe range detector: 8 to 48 in (200 to 1200mm). Large pipe range detector: 8 to 235 in (200 to 6000mm)

Lining material Tar, epoxy, mortar, rubber, Teflon, Pyrex glass, other, or none. If other is selected, liner materials with a sonic velocity range of 3280 to 12136 ft/sec (1000 to 3700 m/sec) can be selected via the keypad. (Sonic velocity information for several liner materials is included in the Operator Manual.)

Fluid type Water, sea water or other. If other is selected, a sonic velocity range of 1640 to 8200 ft/sec (500 to 2500 m/sec) can be selected via the keypad. (Sonic velocity information for several fluids is included in the Operator Manual.)

Measurement Accuracy

Accuracy $\pm 0.5\%$ of velocity for velocities > 1.0 ft/sec. typical on calibrated system; $\pm 1.5\%$ to $\pm 2.0\%$ of velocity for velocities < 1.0 ft/sec. typical on calibrated system. (Calibrated system conditions include a minimum of 10 inner pipe diameters of upstream straight pipe run and a minimum of 5 inner pipe diameters of downstream pipe run. Longer runs may be necessary due to pipe configurations.)

Linearity 0.1% of scale

Repeatability 0.5% or better

Physical Specifications for the Converter

Ambient temperature -10 to 140°F (-23.0 to 60.0°C)

Ambient humidity less than 90% RH

Enclosure Copper aluminum alloy, coated with epoxy paint (blue/gray color)



Environmental rating NEMA-6 (IP67)
 Dimensions 8.65H x 9.05W x 3.75D in.
 (220 x 230 x 95 mm)
 Weight 9.9 lbs. (4.5kg)

Functional Specifications for the Converter

Power supply 100 to 240V AC \pm 10%, 50/60 Hz. Optional 20 to 30V DC
 Power consumption Approx. 20 VA
 LCD display 2 line, 16 character per line, 4.0W x 1.0H in. (102 x 25mm), high resolution Back-Lit LCD
 Keypad 20 keys, tactile feedback
 Power failure backup System data stored in non-volatile memory
 Response time 0.5 sec. or less
 Analog output signal 4 to 20mA DC (isolated), max. load resistance 1K Output can be configured to hold last value, force high, force low or force zero during fault condition, keypad selectable
 Transmit output voltage X1, X2, X4 and X8 transmit voltage, keypad selectable

Alarm output signals Two open-collector digital transistor outputs (max., 30V DC, 200mA)

Analog output check Analog output values of -20% to +120% can be forced onto the analog loop via keypad for testing purposes

Alarm output function Open collector digital alarm outputs independently configurable from keypad for the following.
 Not Used: No output. Signal Error: ON at abnormal measurement. Flow SW high: ON when flow rate exceeds high limit. Flow SW low: ON when flow rate falls below low limit. F: Total alarm: ON when flow total exceeds forward integral switch. R: Total alarm: ON when flow total exceeds reverse integral switch. F: Total overflow: ON when forward integral value overflows. R: Total overflow: ON when reverse integral value overflows. R: Flow direction: ON when reverse flow direction is detected. F: Total Pulse: Forward flow integral pulse. R: Total Pulse: Reverse flow integral pulse (*Note: maximum totalizer*

pulse = 5 pulses/sec. Minimum totalizer pulse = 1 pulse/day. Totalizer pulse width 50 msec or 100 msec, keypad selectable)

Communications Option RS-232 port standard

Display language English or Japanese (Katakana)

Measurement Display Screen

System units English or Metric, keypad selectable

LCD display Configurable from keypad to display flow rate and one of the following: forward totalizer value, reverse totalizer value, totalizer difference value, forward totalizer pulse count, reverse totalizer pulse count, flow velocity (ft/sec or m/sec) and output range %

Display Display of forward or reverse totalized flow, keypad selectable—maximum 9 digits, with rollover cycle counter

Totalizer English System Units: gal, Kgal, ft³, Kft³, Mft³, Mbbl, Kbbbl, acre-ft (gal = U.S. gallons). Metric System Units: ml, l, m³, Km³, Mm³, Mbbl, bbl, Kbbbl

We attempt to provide you with complete information in this catalog. Because of the specific nature of ultrasonic technology, we strongly recommend you contact us regarding application and availability before placing your order.

Ordering Information

Included in standard delivery: converter, manual

FLVS12	Time Delta S fixed transit-time flow meter converter, AC power input	\$ 2,650
FLVS42	Time Delta S fixed transit-time flow meter converter, DC power input	3,250

Accessories

Each detector kit includes: Detector unit, 16 ft. signal cable, mounting straps, 3.5 oz tube of sonic coupling compound

	Description	Pipe diameter range	Temperature range	
FLD22	Small diameter sensor (2 MHz)	0.50 to 4.0 in	-40 to 212°F	\$ 1,150
FLW12	Small diameter sensor (2 MHz)	2.0 to 16.0 in	-40 to 212°F	1,150
FLW41	Universal sensor (1 MHz)	8.0 to 48.0 in	-40 to 212°F	950
FLW50	Large diameter sensor (0.5 MHz)	8.0 to 235.0 in	-40 to 212°F	2,500
FLD32	High-temperature sensor (2 MHz)	2.0 to 16.0 in	-40 to 390°F	3,500
TKUSTTNIST	Calibration, NIST traceable (5 pt.)			450
TKUSTTPTG	FS-200 Ultrasonic thickness gauge			1,200
TKUSTTSG	Sonic coupling compound			15
TKUSTTSGN	Sonic coupling compound, silicone-free			35
TKUSTTPCSR	Pipe tape measure			30
TKUSTTPLSS	Line isolator/conditioner			359.95
TKUSTTRG58	Signal cable, 50 ohm (16 ft min)			2.50/ft.

Time Delta S

Specifications (continued)

Flow rate English System Units: gal/sec, gal/min, gal/hr, gal/day, ft³/sec, ft³/min, ft³/hr, Mft³/day, bbl/sec, bbl/min, bbl/hr, and Mbbl/day (Note: gal refers to U.S. gallons; bottom line of LCD display configurable from keypad). Metric System Units: l/sec, l/min, l/hr, Ml/day, m³/sec, m³/min, m³/hr, Mm³/day, bbl/sec, bbl/min, bbl/hr, and Mbbl/day (Note: gal refers to U.S. gallons; bottom line of LCD display configurable from keypad)

Display Maximum 8-digit display of flow velocity and rate with flow direction, keypad selectable (Note: bottom line of LCD display configurable from keypad)

Decimal point position Instantaneous flow rate is keypad selectable for the following: 00000000, 0000000.0, 000000.00, 00000.000, 0000.0000, 000.00000, 00.000000 and 0.0000000 (Note: bottom

line of LCD display configurable from keypad)

Test mode Simulated flow values can be entered directly from the keypad for bench testing alarms, flow switches, totalizers, and the analog output

Damping 0 to 99 sec. (time constant), keypad selectable

Low flow cutoff 0 to 16.0 ft/sec (0 to 5.0 m/sec), keypad selectable

Zero setting Zero Point Adjust: used when the flow can be stopped; zero point is manually set. Zero Point Clear: used when flow cannot be stopped; automatically sets zero point, keypad selectable

Analog output cal 4 mA and 20 mA (zero and span), keypad selectable

Analog output check Analog output values of -20% to +120% can be forced onto the analog loop via keypad for testing purposes

Detector Models FLW and FLD

Mounting method V or Z method mounted to outside of pipe by means of steel bands, nylon belts or steel wire

Straight pipe length Upstream side—10d or more; downstream side—5d or more (d = inside pipe diameter)

Signal cable RG-58 or RG-58A/U, 50 ohm coaxial cable

Cable length Standard length 16 ft., maximum length 1000 ft. (300m)

Connection Converter: Internal screw. Detector Models FLW: internal terminal screw, strain-relieved, water-proofed. Detector Models FLD: BNC connector (female)

Pipe diameter range FLD22 (Small diam. pipe range): 0.50 to 4.0 in. (13 to 100mm). FLW12 (Small diam. pipe range): 2.0 to 16 in. (50 to 400mm). FLW41 (Universal pipe range): 8.0 to 48 in. (200 to 1200mm). FLW50 (Large diameter pipe range): 8.0 to 235 in. (200 to 6000mm). FLD32 (High-Temperature detector): 2.0 to 16 in. (50 to 400mm)

Operating temperature range FLD22, FLW12, FLW41, FLW50: -40 to 212°F (-40 to 100°C). FLD32 (High-Temperature): -40 to 390°F (-40 to 200°C)

Ambient temperature range All detector models: -4.0 to 140 °F (-20 to 60°C)

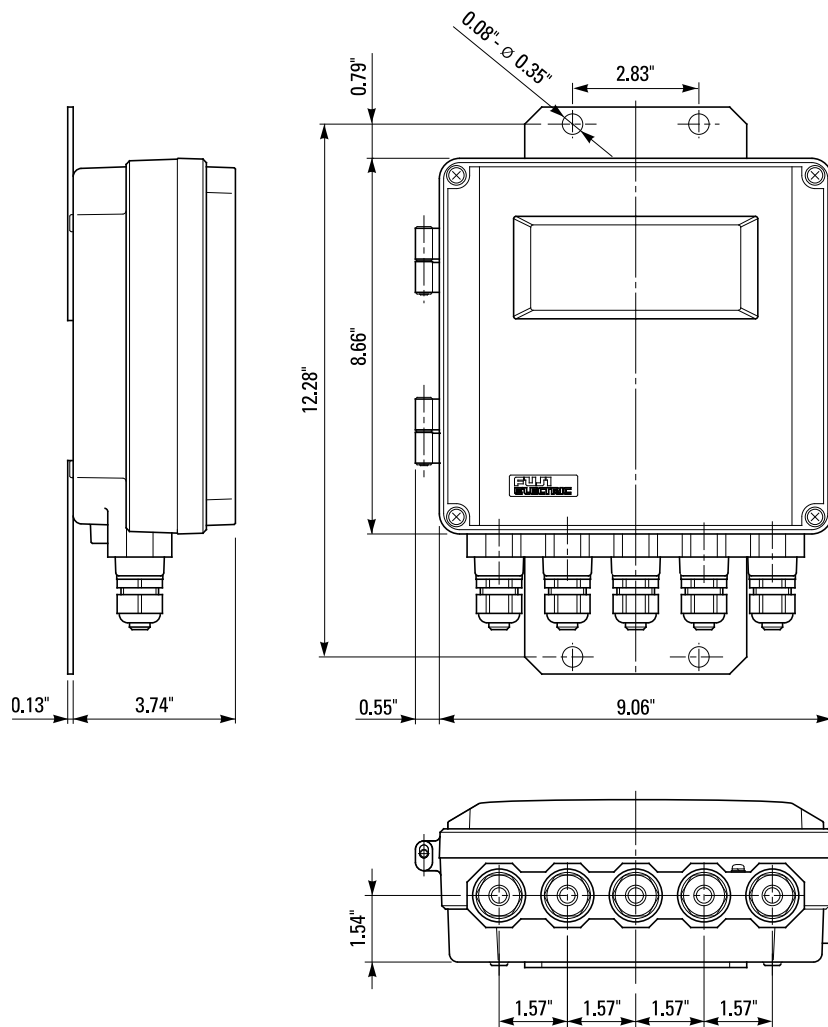
Ambient humidity All detector models: less than 100% RH

Environmental rating FLW Models: NEMA 6 (IP67). FLD22/FLD32 Models: NEMA3 (IP52)

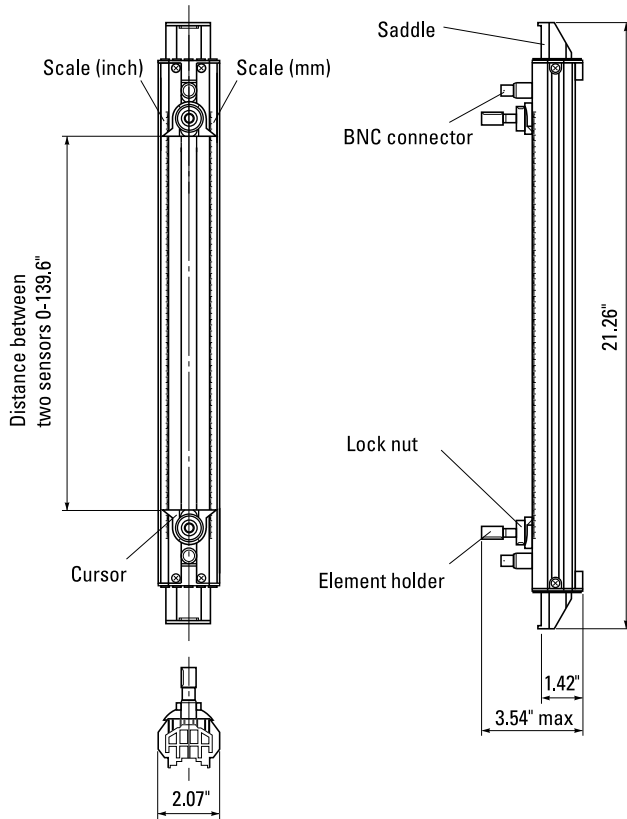
Material FLD22: High impact plastic housing, aluminum alloy/high impact plastic mounting bracket. FLD32: Stainless steel housing, aluminum alloy/high impact plastic mounting bracket. FLW12, FLW41, FLW50: Polyurethane/stainless steel cover plate. FLW12, FLW41, FLW50, FLD22: Epoxy resin crystal wedge. FLD32: Stainless steel crystal wedge

Dimension (WxHxD)/weight FLD22: 12.50 x 2.08 x 1.40 in./2.2 lbs. (540 x 53 x 36mm/1 kg). FLW12, FLW41 (each transducer): 2.83 x 2.36 x 1.57 in./0.9 lbs. (72 x 60 x 40mm/0.4 kg). FLW50 (each transducer): 4.10 x 3.66 x 2.44 in./3.0 lbs. (104 x 93 x 62mm/1.4 kg). FLD32 (rail assembly including transducers): 20.86 x 2.05 x 1.30 in./3.53 lbs. (530 x 52 x 33mm/1.6 kg)

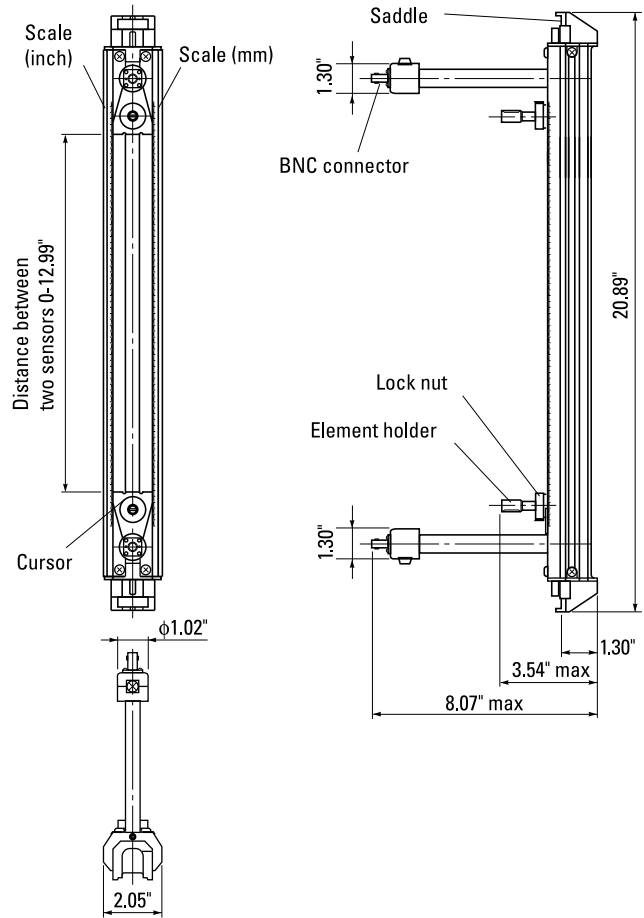
FLV Converter



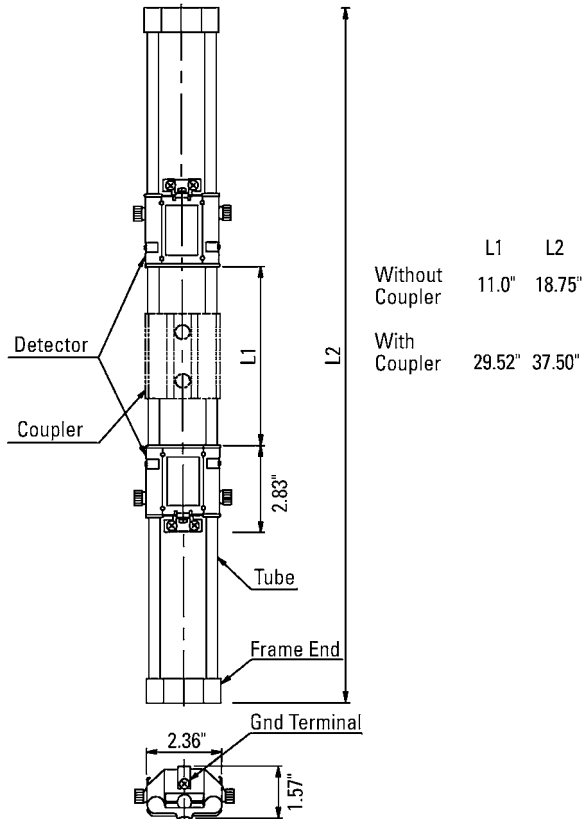
FLD22 Small Diameter Sensor Set



FLD32 High-Temperature Sensor Set



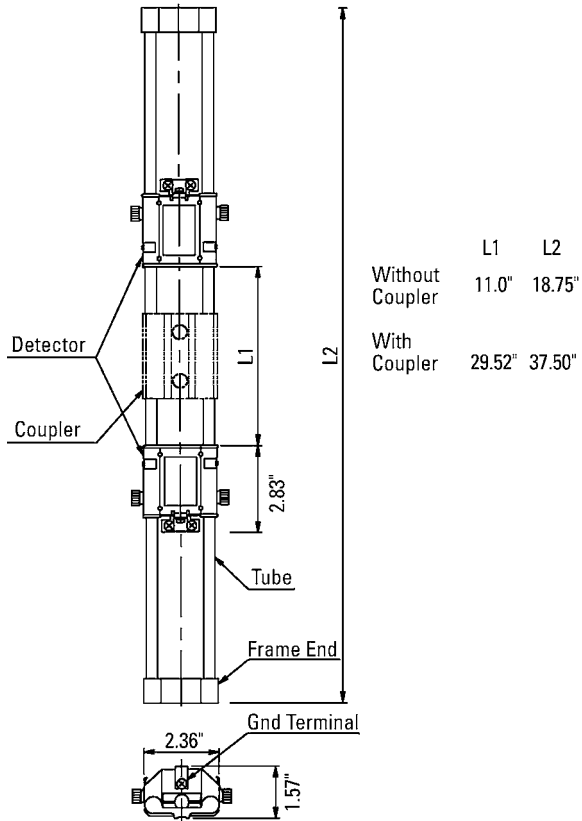
FLW12 Small Diameter Sensor Set



Time Delta S

Specifications (continued)

FLW41 Universal Sensor Set



FLW50 Large Diameter Sensor Set

