



TEST GAUGES

SOLFRUNT® 4-1/2" Models 1403 and 1404 Test Gauges

DESCRIPTION

Series 1400 4-1/2" SOLFRUNT test gauges are designed to combine laboratory test gauge accuracy with carrying case or rolling test stand portability, and frequently are permanently installed on instrument shop test benches or test panels. These gauges feature a $\pm 0.25\%$ accuracy (Grade 3A) solid front case, which provides a partition between the pressure measuring element and the window, with a pressure relieving back. Accurate gauge reading is accomplished by sighting the knife edge of the indicating pointer with the paralleling pressure graduation, while simultaneously eliminating the pointer's image on the mirrored dial edge. An adjustable pointer provides front zero adjustment. Other calibration adjustments can be made from the back without removal from the case. Metric ranges are available upon request.

4-1/2"
Model 1403



4-1/2"
Model 1404

SPECIFICATIONS

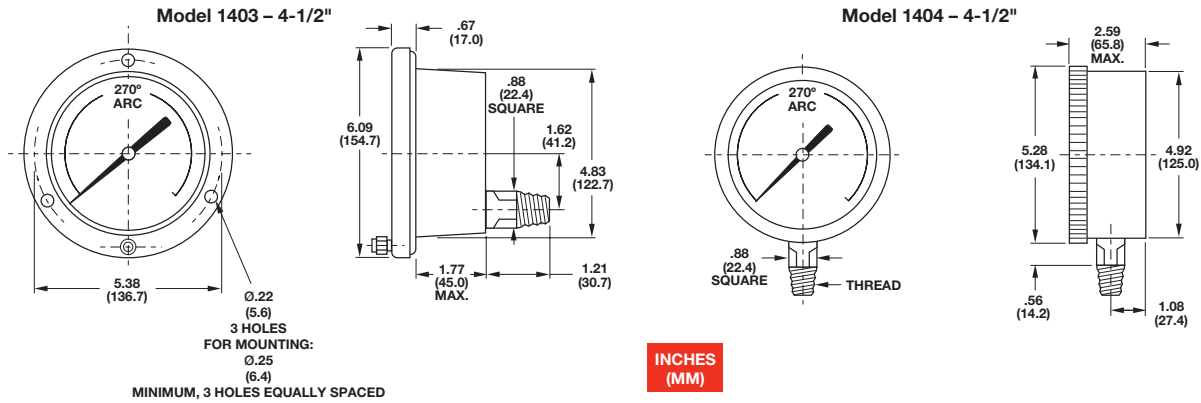
- SIZES:** 4-1/2"
- ACCURACY:** $\pm 0.25\%$ of span (Grade 3A)
- BOURDON TUBE:** Silver brazed; *Phosphor bronze:* 30" Hg VAC through 60 psi
- WINDOW:** Molded acrylic with gasket
- MOVEMENT:** Geared ARC-LOC with parts of phosphor bronze and stainless steel to minimize friction and wear
- DIAL:** White coated aluminum, black markings and mirrored edge
- POINTER:** Knife-edged, black, adjustable
- CASE:** SOLFRUNT, Cast aluminum, black finish with aluminum pressure relieving back; *1403:* Front flanged for panel mounting; *1404:* Flangeless for stem mounting
- RING:** *1403:* Steel hinged, black finish; *1404:* Aluminum snap-lock bayonet, black
- CONNECTION:** 1/2-14 ANPT standard (1/4-18 ANPT optional), brass

Standard Ranges		
Maximum Indication	Figure Intervals	Smallest Intervals
30" Hg VAC	2" Hg VAC	0.1" Hg VAC
15 psi	1	0.05
30 psi	2	0.1
60 psi	5	0.2



TEST GAUGES

SOLFRUNT® 4-1/2" Models 1403 and 1404 Test Gauges



Spec Number Selection Chart		
Test Gauges	Model No. 1403 1/2-14 ANPT, Lower-Back Mount*	Model No. 1404 1/2-14 ANPT, Lower Mount*
Bourdon Tube	Phosphor Bronze (30" Hg VAC through 60 psi)	Phosphor Bronze (30" Hg VAC through 60 psi)
Connection	Brass	Brass
Sizes	4-1/2"	4-1/2"
Ranges	Spec No.	Spec No.
0-30" Hg	132258	132243
0-15 psi	132255	132240
0-30 psi	132256	132241
0-60 psi	132257	132242

* 1/4-18 ANPT available – use 133XXX when ordering