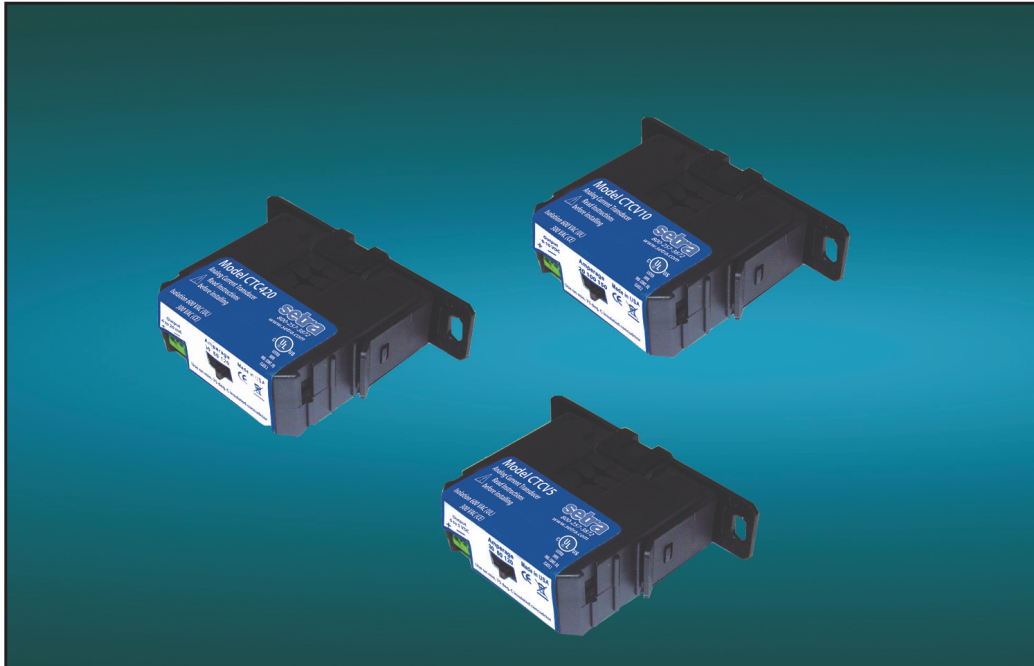


**Model CTC Series
Current Transducers Clamped
Amperage
30, 60, 120 and 20, 100, 150**



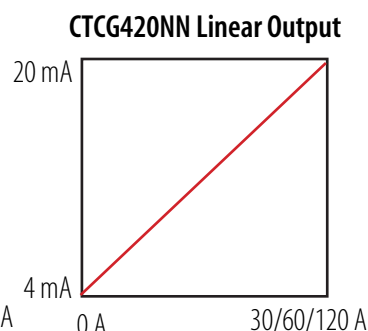
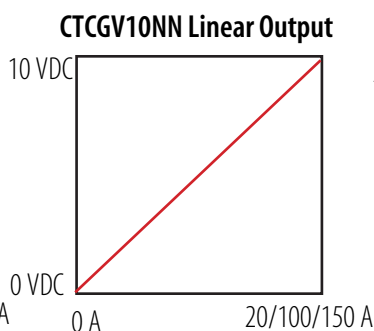
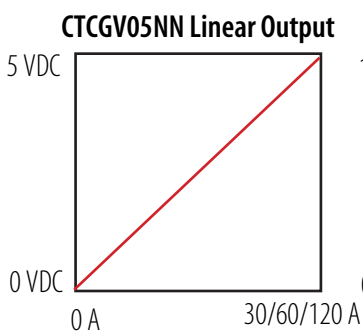
Setra's CTC Series Split Core Current Transducers combine accurate magnetic current sensing with signal conditioning electronics. They are available in either 24 VDC loop power or self-powered, which means they are easy to install and put into operation. Their self-gripping, compact split core design makes it easy to retrofit into existing equipment

Each unit has a three position slide switch to select the most suitable range for the application. The 0 to 5V and 4 to 20 mA output units have

30/60/120 Amp sensing ranges. The 0 to 10 V output units have a 20/100/150 Amp sensing range.

In addition, when used with the optional CCR-24 or CCR-12 power relay module w/LED indicator, the CTC can be used for remote motor startup.

These units are ideal for monitoring current in PLCs (power line carrier communications) & AMR systems or in remote control system of SCADA software for automation & supervision, security, condition monitoring in protection systems and for predictive maintenance of conveyers, pumps or HVAC motors.



Applications

- HVAC
- Refrigeration
- Pumps
- Small Industrial Motors
- Fans
- Lighting

CTC Series

Features

- Clamped/Split Core Design
- Slide Switch, Selectable Amperage Ranges
- Snap on Power Relay
- Relay LED Indication on CTC when Used with Optional CCR-24 or CCR-12 Command Relay

Benefits

- Low Cost Solution
- 24 VDC Loop Power or Self Powered
- Simple Installation

setra
ISO-9001 Certified

800-257-3872

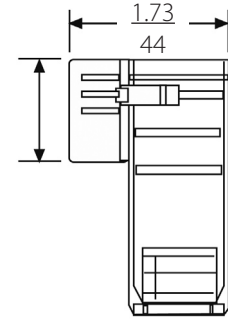
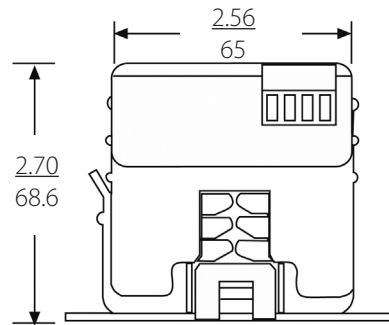
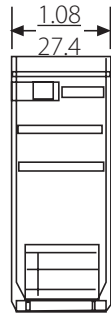
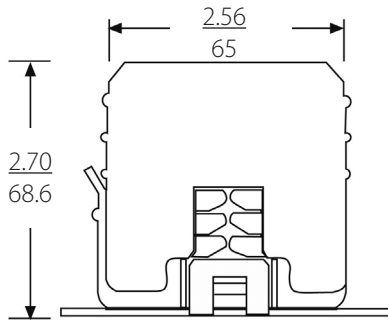
Visit Setra Online:
<http://www.setra.com>

CTC Series (Current Transducers Clamped) Specifications

MODEL	CTCG420NN	CTCGV05NN	CTCGV10NN
Multi-Range	30/60/120 A	30/60/120 A	20/100/150 A
Continuous Operating Current	120 A Max.	120 A Max.	150 A Max.
Output	4-20 mA	0-5 VDC	0-10 VDC
Accuracy ($\geq 10\%$ FS)	$\pm 2\%$ of Selected Ranges		
Response Time	2 Seconds		
Output Relay	No	No	No
Actuation Coil	Use optional CCR-24 or CCR-12 Command Relay Module (sold separately)	Use optional CCR-24 or CCR-12 Command Relay Module (sold separately)	Use optional CCR-24 or CCR-12 Command Relay Module (sold separately)
Dimensions	2.7 x 2.56 x 1.08 in. (68.6 x 65 x 27.4 mm)	2.7 x 2.56 x 1.08 in. (68.6 x 65 x 27.4 mm)	2.7 x 2.56 x 1.08 in. (68.6 x 65 x 27.4 mm)
Aperture Size	0.72 x 0.78 in. (18 x 20 mm)		
Sensor Supply Voltage	24 VDC Loop Power	Self-Powered	
Isolation Voltage	600 V AC rms.		
Temperature Range	5 to 140 °F (-15 to 60 °C)		
Frequency Range	50/60 Hz		
Humidity Range	0 to 95% non-condensing		

Outline Drawings

CTC Series (Current Transducer Clamped)



Models
CTCG420NN, CTCGV05NN,
CTCGV10NN

in.
mm

Models
CTC Models w/Optional
CCR-24 / CCR-12 Command Relay

ORDERING INFORMATION

Model CTC Series (Current Transducer Clamped)

Model No.	Description
CTCG420NN	Model CTC, Output 4 to 20 mA
CTCGV05NN	Model CTC, Output 0 to 5 VDC
CTCGV10NN	Model CTC, Output 0 to 10 VDC

† Contact factory to order power relay separately.

While we provide application assistance on all Setra products, both personally and through our literature, it is up to the customer to determine the suitability of the product in the application.

159 Swanson Road, Boxborough, Massachusetts 01719/Tel: 800-257-3872;
Fax: 978-264-0292; Email: sales@setra.com; Web: www.setra.com

