

1 Installation/mounting

Outline and Panel Cutout Dimensions

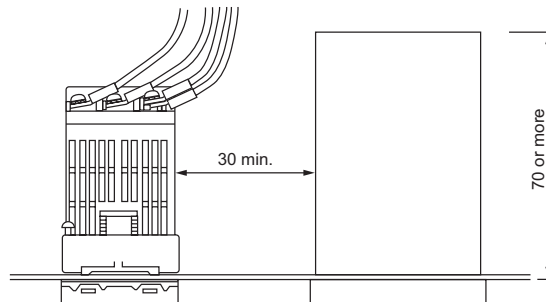
	Outline dimensions (unit:mm)	Panel cutout dimensions (unit:mm)												
PXR4	<p>Terminal screw M3×6</p> <p>Mounting bracket</p> <p>Panel Panel thickness 1 to 8mm</p>	<p>For side by side installation, see the Note1.</p> <table border="1"> <thead> <tr> <th>Number of units</th> <th>2</th> <th>3</th> <th>4</th> <th>5</th> <th>6</th> </tr> </thead> <tbody> <tr> <td>a</td> <td>93</td> <td>141</td> <td>189</td> <td>237</td> <td>285</td> </tr> </tbody> </table>	Number of units	2	3	4	5	6	a	93	141	189	237	285
Number of units	2	3	4	5	6									
a	93	141	189	237	285									
PXR7	<p>Terminal screw M3×6</p> <p>Packing</p> <p>Panel</p>													

Remarks

Note) Panel coating procedure must be taken into account, for the panel cutout dimension should still conform with the dimensions listed in the left hand column.

Caution on side-by-side installation:

- Maximum ambient temperature is at 45 °C when the power supply is at 200VAC or more. When the PXR4 controller is tightly fixed in vertical and upright direction, the use of 100V AC power supply is recommended .
(Installation of fan is recommended as a heat release measure)
- Make sure the controller is installed more than 30mm away, when there is an instrument of more than 70mm depth or a wall on the right side of the controller.
- Side-by-side installation may sacrifice the controller's waterproof property.



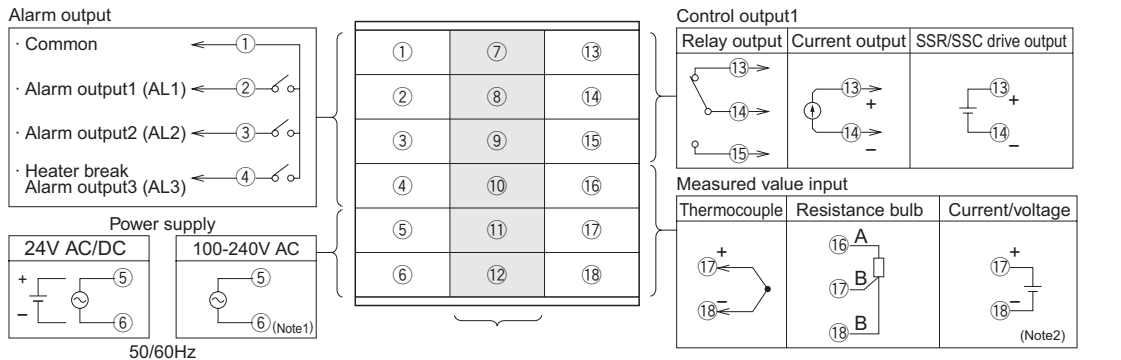
Caution on wiring:

- Terminals at the left hand side (from No.1 to 6) should be used first.
- Crimp terminals with matching screw size should be used. Tightening torque value should be approx. 0.8N · m.
- Do not connect anything to the terminals that are not used. (Do not use as relay terminal)

2

Wiring

Terminal Connection Diagram (100 to 240 AC, 24V AC/24V DC)



Note 1 : Check the power supply voltage before installation.
 Note 2 : Connect the I/V unit (250Ω resistor) (accessory) between the terminal ⑰ and ⑱ in case of current input.

