

- 0 Direct D500 Controller with SimpliCal® Auto Calibration
- 1
- 2
- 3
- 4
- 5
- 6 Direct 4-Wire
- 7
- 8 Blue Glass Electrode
- 9
- 10
- 11
- 12
- 13 Nexus® Solid Reference
- 14



- ✓ 4-20mA Output
- ✓ Temperature Compensated
- ✓ Nexus® Solid KCl Reference
- ✓ No Preamp Required
- ✓ High Accuracy
- ✓ Quick Response Time
- ✓ 3/4" NPT Connection
- ✓ PP or PPS Body Materials
- ✓ RS 485 Modbus Communication

- 0
- 1
- 2
- 3
- 4
- 5
- 6
- 7
- 8
- 9
- 10
- 11
- 12
- 13
- 14

High performance industrial sensor transmitter for harsh applications

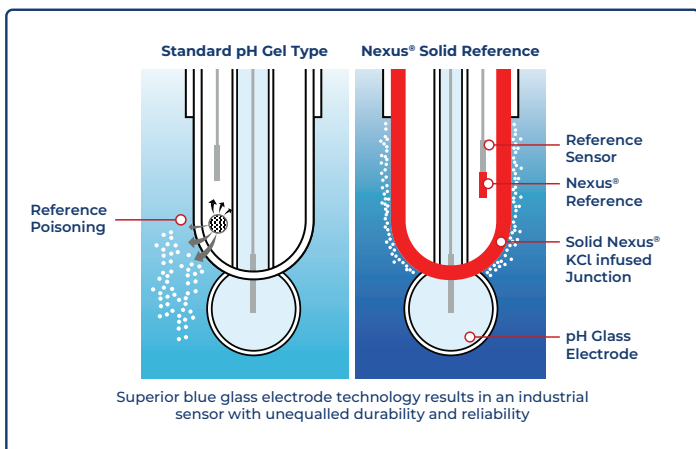
The ProCon® P14C Nexus® series offers the ultimate combination of durability, functionality and long-term performance; exactly what is required for industry's most complex applications. The Nexus® reference eliminates reference poisoning. The sensor transmitters are available in flat planar or bulb style design.

The double junction coupled with the solid Nexus® KCl infused reference makes the P14C pH sensor transmitter an excellent choice for complex process media applications.

- ✓ Double junction reference extends sensor life and protects against poisoning ions
- ✓ Durable crack resistant low ionic glass enhances performance and increased reliability
- ✓ Operates in sub-zero temperatures down to 14°F (-10°C)
- ✓ Advanced electronic diagnostics provides excellent repeatability and reliability

All measurement functions are combined in one compact body — measuring electrode, temperature sensor and an inner reference chamber.

The 2-wire 4-20mA, 4-wire or 4-20mA + RS485 output options simplify calibration and communication with remote displays and controllers.



Model Selection

| P14C — Complex pH Sensor | | | | |
|--------------------------|----------|------------------------------|------|------------|
| Part Number | Material | Output | Type | Connection |
| P14C-P-D-1-F-M | PP | 4-wire (for ProCon® display) | Flat | M12 |
| P14C-P-D-1-B-M | PP | 4-wire (for ProCon® display) | Bulb | M12 |
| P14C-P-M-1-F-M | PP | 4-20mA (2-wire, std) | Flat | M12 |
| P14C-P-M-1-B-M | PP | 4-20mA (2-wire, std) | Bulb | M12 |
| P14C-P-S-1-F-M | PP | RS485 + 4-20mA | Flat | M12 |
| P14C-P-S-1-B-M | PP | RS485 + 4-20mA | Bulb | M12 |

Last digit: "M" for M12 Connection (std), "F" Flying Lead - consult factory



Smart Sensor Technology

Advanced electronic circuitry stores pH data for automatic sensor recognition and trouble-free calibration when connected to the ProCon® Controller.

Outputs

1. 4-20mA 2-Wire
2. 4-20mA + RS485

Both the measuring and reference electrodes are encapsulated within the non-porous advanced KCl infused polymer known as Nexus®.

Less Calibration and Maintenance

Most sensors require on-going recalibration and are prone to premature failure due to what is known as gradient drift, or sensor drift.

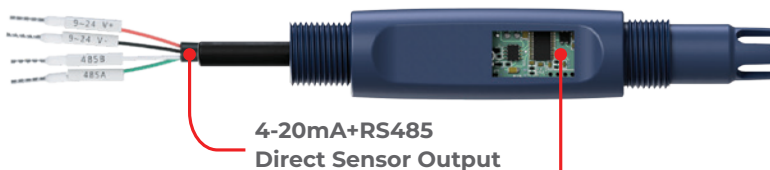
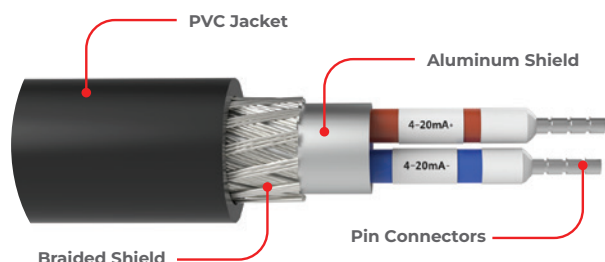
The Nexus® series is a solid reference material. Poisoning or leaching of the reference electrolyte that occurs in standard sensor is greatly reduced.

The Nexus reference helps to eliminate the need for ongoing maintenance or cleaning requirement due to fouling or film build up removal which occurs with many process applications with traditional pH sensors.

Faster Response — Longer Lasting

The solid Nexus® reference provides for faster response time to changing pH values since there is no requirement for a junction.

- ✔ No Costly Preamps Required
- ✔ Direct 4-20mA & RS485 Outputs



Advanced electronic circuitry stores pH data for automatic sensor recognition and trouble-free calibration when connected to the ProCon® Controller

Enhanced chip technology allows for remote calibration as well as diagnostic data

Data analysis and direct 4-20mA signal or RS485 Digital outputs

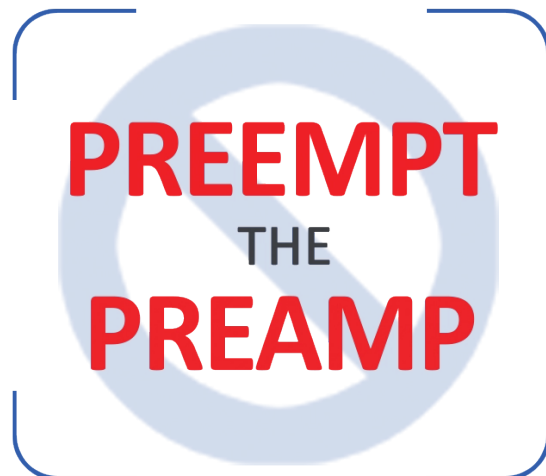
Integral Preamp

2-wire 4-20mA + RS485 Modbus direct sensor to controller connection eliminates the requirement for a preamp.

Digital output removes the need for high impedance cable — longer distances without compromising accuracy.

Nexus® technology

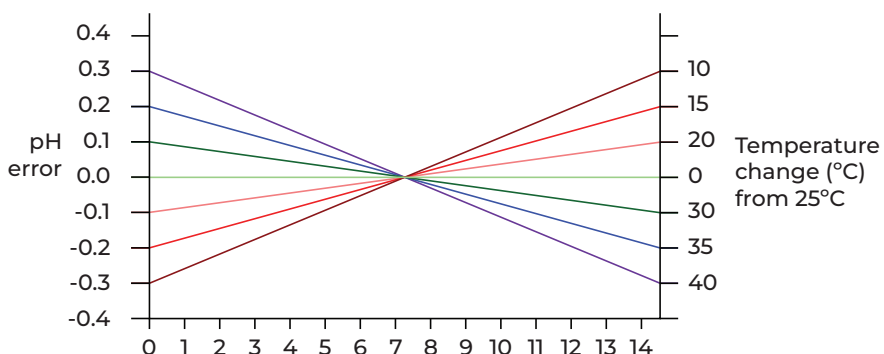
- Solid KCl infused reference junction
- Eliminates reference poisoning/leaching
- Extended life expectancy



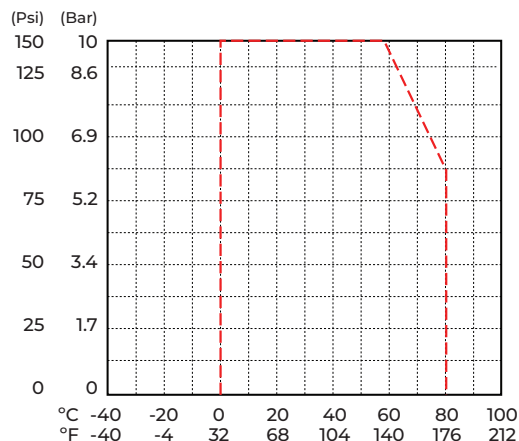
Specifications

| Measurement Range | |
|--|---|
| pH | 0 – 14 |
| Output Signal — No Preamp Required | |
| 2 Wire Loop Powered 4-20mA + RS 485 Direct Sensor Output | |
| Accuracy | |
| 7.00 ± 0.25 | |
| Operating Temperature | |
| 14 to 176°F -10 to 80°C Automatic Temperature Compensation | |
| Maximum Pressure | |
| 150 Psi at 140°F (60°C) — See Pressure vs. Temp Graph | |
| Design | |
| Sensor body | PP Polypropylene (std) Ryton® PPS |
| Reference System | 3.3 Mol Ag / AgCl / KCl Double Junction |
| pH electrode | Blue Glass Bulb Flat |
| Reference | Solid Nexus® |
| Connection | 3/4" NPT |
| Measuring Electrode Resistance | < 500 MΩ |
| Impedance Range | 102 – 675 MΩ |
| Temperature Compensation/Output- 4-20 + RS485 Model | |
| Pt-1000 (Std) | |
| Pt-100 | |

Temperature Control

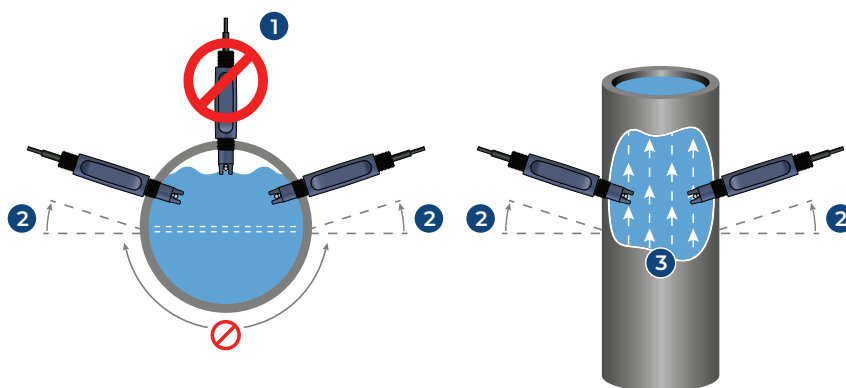


Temperature vs. Pressure

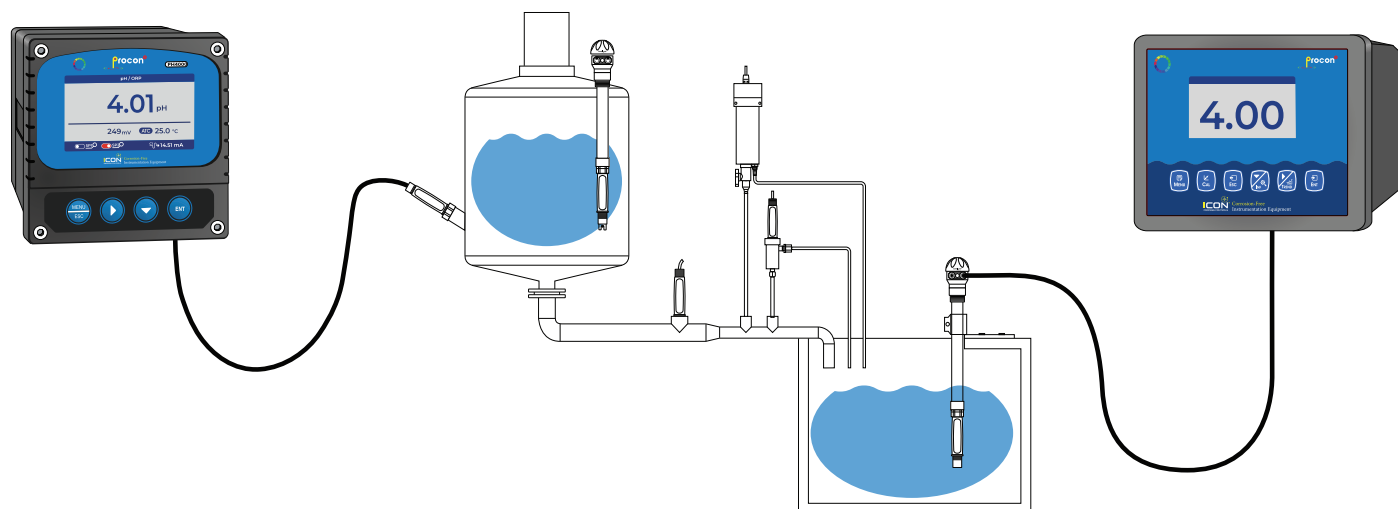


In-line Mounting

1. Avoid vertical installation. (air may be present)
2. Optimum installation 15° above horizontal.
3. Process liquid should flow upward. (for downward flow ensure backpressure is present in order to avoid air within pipe)



Typical Application



Cable Options

The ProCon® series offer complete flexibility of cabling options throughout the range. All cables are shielded against spurious EMF and are potted inside the sensor ensuring environmental protection.

The standard cable length for most sensors is 5m (15 ft). However, cables can be supplied as any continuous size up to 20m (66 ft).

Standard accessories include submersion couplers, typically used with extension cables for direct connection to the ProCon® Controllers.

Extension cables also permit distances between sensor and instrument of up to 30 m (100 ft.) without external preamplifier.



M12
Quick
Connection

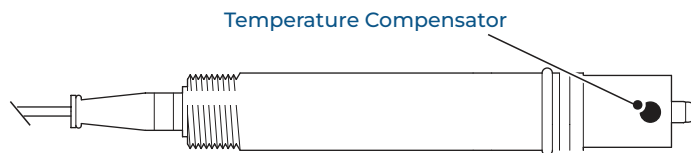
Temperature compensation

The temperature compensator enables sensor to adjust for temperature effects on the glass pH electrode output.

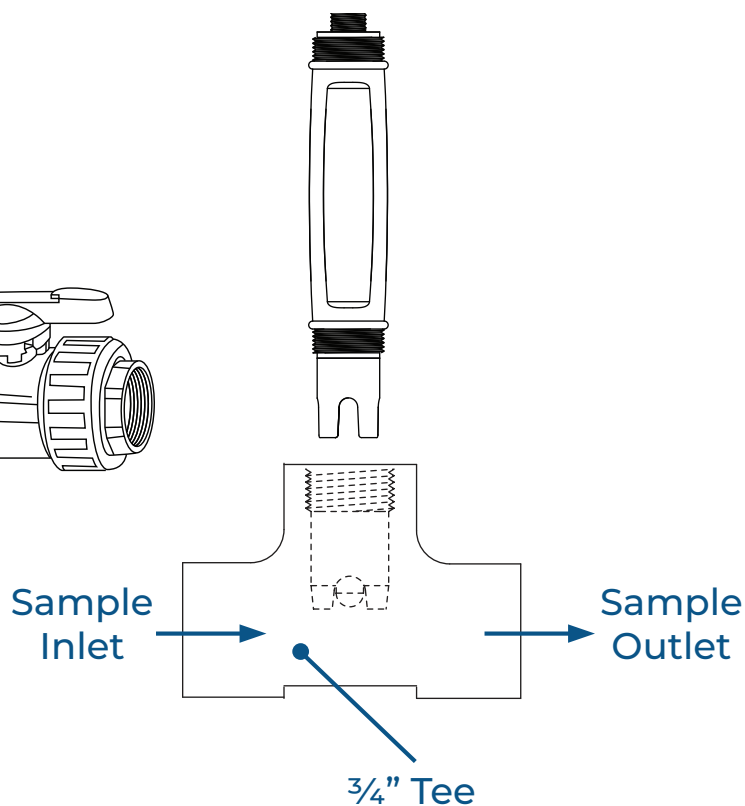
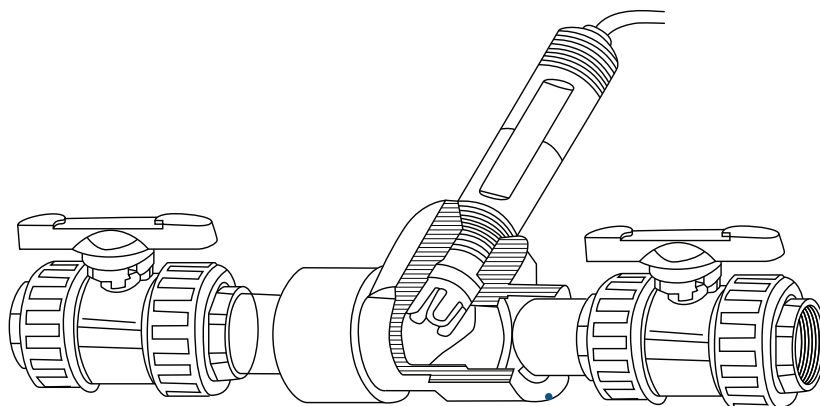
The sensor can also use this measurement to compensate for solution pH temperature effects.

Sensors can be ordered with integral temperature sensors. The integral temperature compensator is available in two outputs — Pt 1000 (std) and Pt 100.

** Temperature outputs on 4 and 6 wire versions only.*



Typical Installations



Wiring — Flying Lead

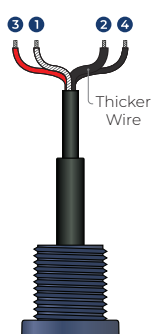
4-20mA 2-wire

- 1 Blue: mA-
- 2 Brown: mA+



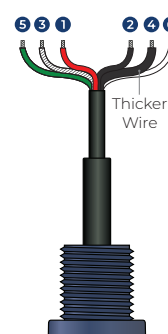
4-20mA 4-wire

- 1 Transparent: 4-20mA
 - 2 Black (thick): Ref
 - 3 Red: Temperature
 - 4 Black: Temperature
- Connects directly to ProCon® controller



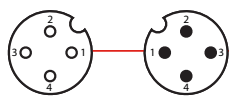
4-20mA + RS485 Output

- 1 Red: 9-24VDC +
- 2 Black: 9-24VDC -
- 3 Transparent: 4-20mA
- 4 Black (thick): Ref
- 5 Green: RS 485 A
- 6 White : RS 485 B



Wiring — M12

4 Pin M12 Connection



M12 - Male M12 - Female



■ 4-20mA | 4 Pin

| Color | Description |
|---------------|-------------|
| Pin 1 - Brown | 4-20mA + |
| Pin 2 - Blue | 4-20mA - |
| | |
| | |

■ 4-20mA + Controller | 4 Pin

| Color | Description |
|---------------|-------------|
| Red | Temperature |
| Black | Temperature |
| Black (Thick) | Reference |
| Transparent | 4-20mA |

8 Pin M12 Connection



M12 - Female



■ 4-20mA + RS485 | 8 Pin

| Color | Description |
|---------------|-------------|
| Red | 9-24 VDC + |
| Black | 9-24 VDC - |
| Transparent | 4-20mA |
| Black (Thick) | Reference |
| Green | RS485 A |
| White | RS485 B |

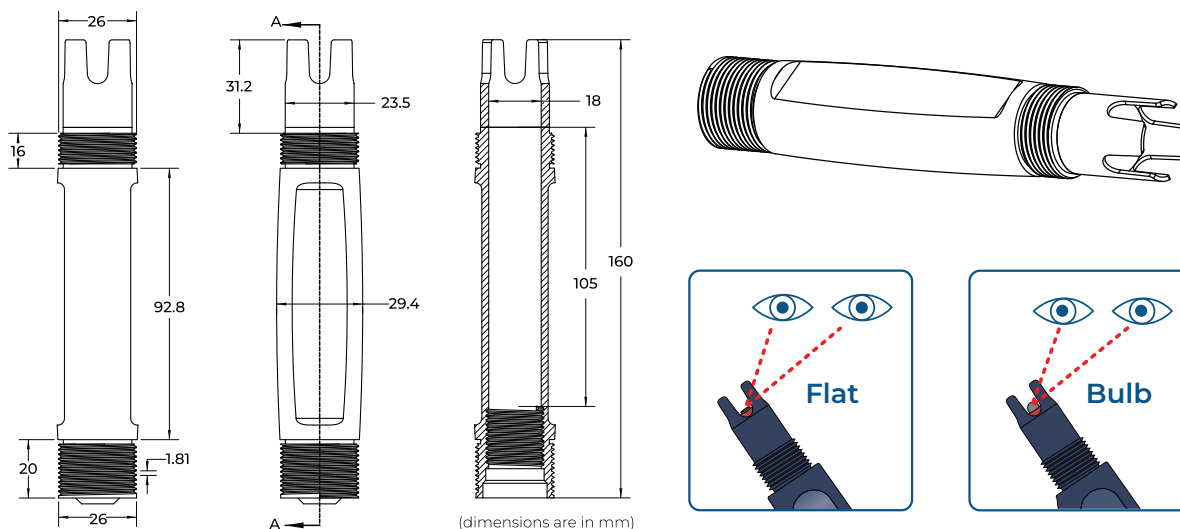
4 Pin IO - Link Connection



■ I-O Link | 4 Pin

| Pin | Description |
|-------|-------------|
| Pin 1 | 24 VDC + |
| Pin 2 | |
| Pin 3 | GND |
| Pin 4 | 4-20mA |

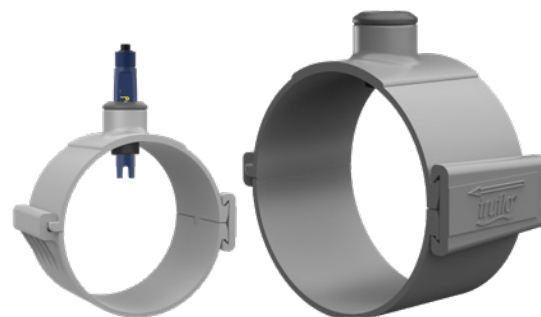
Dimension



Fittings

Easy Install Clamp On Pipe Saddles

| Part Number | Material | Size | Seal | Thread | Connection |
|-------------|----------|------|------|----------|------------|
| PSA-2 | PVC | 2" | FPM | 3/4" NPT | PVC |
| PSA-3 | PVC | 3" | FPM | 3/4" NPT | PVC |
| PSA-4 | PVC | 4" | FPM | 3/4" NPT | PVC |
| PSA-6 | PVC | 6" | FPM | 3/4" NPT | PVC |
| PSA-8 | PVC | 8" | FPM | 3/4" NPT | PVC |



True Union Tee Fitting

| Part Number | Material | Size | Seal | Thread | Connection |
|-------------|----------|--------|------------------|----------|--------------|
| TUPA-PV-5 | PVC | 1/2" | FPM (std) EPDM | 3/4" NPT | Socket NPT |
| TUPA-PP-5 | PP | 1/2" | FPM (std) EPDM | 3/4" NPT | Butt NPT |
| TUPA-PF-5 | PVDF | 1/2" | FPM (std) EPDM | 3/4" NPT | Butt NPT |
| TUPA-PV-7 | PVC | 3/4" | FPM (std) EPDM | 3/4" NPT | Socket NPT |
| TUPA-PP-7 | PP | 3/4" | FPM (std) EPDM | 3/4" NPT | Butt NPT |
| TUPA-PF-7 | PVDF | 3/4" | FPM (std) EPDM | 3/4" NPT | Butt NPT |
| TUPA-PV-1 | PVC | 1" | FPM (std) EPDM | 3/4" NPT | Socket NPT |
| TUPA-PP-1 | PP | 1" | FPM (std) EPDM | 3/4" NPT | Butt NPT |
| TUPA-PF-1 | PVDF | 1" | FPM (std) EPDM | 3/4" NPT | Butt NPT |
| TUPA-PV-15 | PVC | 1 1/2" | FPM (std) EPDM | 3/4" NPT | Socket NPT |
| TUPA-PP-15 | PP | 1 1/2" | FPM (std) EPDM | 3/4" NPT | Butt NPT |
| TUPA-PF-15 | PVDF | 1 1/2" | FPM (std) EPDM | 3/4" NPT | Butt NPT |
| TUPA-PV-2 | PVC | 2" | FPM (std) EPDM | 3/4" NPT | Socket NPT |
| TUPA-PP-2 | PP | 2" | FPM (std) EPDM | 3/4" NPT | Butt NPT |
| TUPA-PF-2 | PVDF | 2" | FPM (std) EPDM | 3/4" NPT | Butt NPT |

