

Operator's Manual

optris® Xi

80/ 400/ 410



Spot finder IR camera

Optris GmbH

Ferdinand-Buisson-Str. 14
13127 Berlin
Germany

Tel.: +49 30 500 197-0
Fax: +49 30 500 197-10

E-mail: info@optris.global
Internet: www.optris.global



Table of contents

Table of contents	3
1 General Notes	8
1.1 Intended use	8
1.2 Warranty	9
1.3 Scope of delivery	10
1.4 Maintenance	10
1.4.1 Cleaning	10
1.5 Model overview	11
2 Technical Data	12
2.1 General specifications	12
2.2 Electrical specifications	16

2.3	Measurement specifications	17
2.4	Optical specifications	19
3	Mechanical Installation	26
3.1	Dimensions	26
3.2	Accessories.....	31
3.2.1	Air purge laminar	31
3.2.2	Water cooling.....	35
3.2.3	Shutter	38
3.2.4	Combination of air purge, water cooling and shutter	42
3.2.5	Outdoor protective housing.....	47
4	Electrical Installation.....	48
4.1	Process interface	49
4.1.1	Process interface Xi 80/410.....	49

4.1.2	Process interface Xi 400	52
4.1.3	PIN allocation Xi 80/410	55
4.1.4	PIN allocation Xi 400	56
4.1.5	Industrial Process Interface for Xi 80/410 (optional).....	58
4.1.6	Industrial Process Interface for Xi 400 (optional).....	63
4.2	Example for a Fail-Safe monitoring of the Xi with a PLC	67
4.3	USB cable extension for Xi 400	69
5	Functions	70
5.1	Ethernet Xi 80/410	70
5.1.1	Ethernet setup (Point-to-Point-Connection).....	72
5.2	Autonomous operation Xi 80/410	78
5.2.1	Hot- / Coldspot function in autonomous operation	83
5.3	Use of Shutter	84

5.3.1	Settings in PIX Connect Software.....	86
6	IRmobile App.....	87
7	Software PIX Connect	89
7.1	Installation and initial start-up	90
7.2	Software window.....	92
7.3	Basis features of the software PIX Connect.....	94
8	Basics of Infrared Thermometry	97
9	Emissivity	102
9.1	Definition.....	102
9.2	Determination of unknown emissivity	104
9.3	Characteristic emissivity	106
Appendix A – Table of emissivity for metals		107
Appendix B – Table of emissivity for non-metals		109

Appendix C – Quick start for serial communication	110
Appendix D – Interprocess Communication (IPC)	113
Appendix E – PIX Connect Resource Translator	114
Appendix F – Wiring diagrams PIF for Xi 400	115
Appendix G – Declaration of Conformity	119

1 General Notes

1.1 Intended use

Thank you for choosing the **optris® Xi** spot finder infrared camera.

The optris Xi calculates the surface temperature based on the emitted infrared energy of objects [**► 8 Basics of Infrared Thermometry**]. The two-dimensional detector (FPA - focal plane array) allows a measurement of an area and will be shown as thermal image using standardized palettes. The radiometric processing of the picture data enables the user to do a comfortable detailed analysis with the software PIX Connect.

The Xi is a precise instrument and contains an extremely sensitive infrared detector and a high-quality lens.



The alignment of the camera to **intensive energy sources** (e.g. devices which emit laser radiation or reflections of such equipment) can cause an **irreparable defect of the infrared detector**. This is also valid if the camera is switched off.

Such kinds of damages are excluded from warranty.



Read the manual carefully before the initial start-up. The producer reserves the right to change the herein described specifications in case of technical advance of the product.



- Avoid abrupt changes of the ambient temperature.
- Avoid static electricity, arc welders, and induction heaters. Keep away from very strong EMF (electromagnetic fields).
- In case of problems or questions which may arise when you use the infrared camera, please contact our service department.



- ▶ All accessories can be ordered according to the referred part numbers in brackets [].

1.2 Warranty

Each single product passes through a quality process. Nevertheless, if failures occur contact the customer service at once. The warranty period covers 24 months starting on the delivery date. After the warranty is expired the manufacturer guarantees additional 6 months warranty for all repaired or substituted product components. Warranty does not apply to damages, which result from misuse or neglect. The warranty also expires if you open the product. The manufacturer is not liable for consequential damage or in case of a non-intended use of the product.

If a failure occurs during the warranty period the product will be replaced, calibrated or repaired without further charges. The freight costs will be paid by the sender. The manufacturer reserves the right to exchange components of the product instead of repairing it. If the failure results from misuse or neglect the user has to pay for the repair. In that case you may ask for a cost estimate beforehand.

1.3 Scope of delivery

- Xi 80, Xi 400 or Xi 410
- USB cable: 1 m (standard scope of supply, no IP67 protection class)
1 m, 3 m, 5 m, 10 m, 20 m * (optional, for industrial applications, with IP67)
- Ethernet PoE cable: 1 m (only for Xi 410)
- Mounting nut and mounting bracket (adjustable in one axis, tripod thread)
- Process interface cable incl. terminal block (1 m)
- Software package PIX Connect
- Quick start guide

* 10 m and 20 m version not available for Xi 80 and Xi 410

1.4 Maintenance



Never use cleaning compounds which contain solvents (neither for the lens nor for the housing).

1.4.1 Cleaning

Blow off loose particles using clean compressed air. The lens surface can be cleaned with a soft, humid tissue (moistened with water) or a lens cleaner (e.g. Purosol or B+W Lens Cleaner).

1.5 Model overview

The cameras of the Xi-series are available in the following basic versions:

Modell	Model code	Temperature range	Spectral range	Frame rate	Typical applications
Xi 80	IR	-20 to 900 °C	8 - 14 µm	USB/Ethernet: 50 Hz	Surface measurements in industrial application, autonomous operation with automatic spot finder
Xi 400	IR	-20 to 900 °C 200 to 1500 °C (optional)	8 - 14 µm	USB: 80 Hz/ 27 Hz	Real-time thermographic images in high speed; Detection of smallest temperature differences
Xi 410	IR	-20 to 900 °C	8 - 14 µm	Ethernet: 25 Hz USB: 4 Hz	Surface measurements in industrial application, autonomous operation with automatic spot finder

Table 1: Model overview

2 Technical Data

2.1 General specifications

Environmental rating:	IP67 (NEMA-4)
Ambient temperature:	0...50 °C
Storage temperature:	-40...70 °C
Relative humidity:	10...95 %, non-condensing
Material (housing):	Stainless steel
Dimensions:	Xi 80: 36 x 90 mm / M30 Xi 400/410: 36 x 100 mm / M30
Weight (without mounting bracket):	Xi 80: 201-210 g (depending on optics) Xi 400/410: 216-220 g (depending on optics)
Cable length:	USB: 1 m (standard), 3 m, 5 m, 10 m, 20 m (20 m version not available for Xi 80/410) Ethernet / RS485 (Xi 80/410): 100 m
Vibration ¹⁾ :	IEC 60068-2-6 (sinus shaped) IEC 60068-2-64 (broadband noise)
Shock ¹⁾ :	IEC 60068-2-27 (25 G and 50 G)

¹⁾ Used standards for vibration and shock:

IEC 60068-1:1988 + Corr. 1988 + A1: 1992	DIN EN 60068-1:1995-03
„Umweltprüfungen - Teil 1: Allgemeines und Leitfaden“	
IEC 60068-2-6:2007	DIN EN 60068-2-6; VDE 0468-2-6:2008-10
„Umgebungseinflüsse - Teil 2-6: Prüfverfahren - Prüfung Fc: Schwingen (sinusförmig)“	
IEC 60068-2-27:2008	DIN EN 60068-2-27; VDE 0468-2-27:2010-02
„Umgebungseinflüsse - Teil 2-27: Prüfverfahren - Prüfung Ea und Leitfaden: Schocken“	
IEC 60068-2-47:2005	DIN EN 60068-2-47:2006-03
„Umgebungseinflüsse - Teil 2-47: Prüfverfahren - Befestigung von Prüflingen für Schwing-, Stoß- und ähnliche dynamische Prüfungen“	
IEC 60068-2-64:2008	DIN EN 60068-2-64; VDE 0468-2-64:2009-04
„Umgebungseinflüsse - Teil 2-64: Prüfverfahren - Prüfung Fh: Schwingen, Breitbandrauschen (digital geregelt) und Leitfaden“	

Figure 1: Used standards

Stress program (camera in operation):

Shock, half sinus 25 G – testing Ea 25 G (acc. IEC 60068-2-27)			
Acceleration	245 m/s ²	(25 G)	
Pulse duration	11 ms		
Number of directions	6	(3 axes with 2 directions each)	
Duration	600 Shocks	(100 Shocks each direction)	

Shock, half sinus 50 G – testing Ea 50 G (acc. IEC 60068-2-27)

Acceleration	490 m/s ²	(50 G)	
Pulse duration	11 ms		
Number of directions	6	(3 axes with two directions each)	
Duration	18 Shocks	(3 Shocks each direction)	

Vibration, sinus shaped – testing Fc (acc. IEC60068-2-6)

Frequency range	10 - 500 Hz		
Acceleration	29.42 m/s ²	(3 G)	
Frequency change	1 Octave/ min		
Number of axes	3		
Duration	1:30 h	(3 x 0.30 h)	

Vibration, broadband noise – testing Fh (acc. IEC60068-2-64)

Frequency range	10 - 2000 Hz		
-----------------	--------------	--	--

Acceleration	39.3 m/s ²	(4.01 GRMS)	
Frequency spectrum	10 - 106 Hz	0.9610 (m/s ²) ² /Hz	(0.010 G ² /Hz)
	106 - 150 Hz	+6 dB/ Octave	
	150 - 500 Hz	1.9230 (m/s ²) ² /Hz	(0.020 G ² /Hz)
	500 - 2000 Hz	-6 dB/ Octave	
	2000 Hz	0.1245 (m/s ²) ² /Hz	(0.00126 G ² /Hz)
Number of axes	3		
Duration	3 h	(3 x 1 h)	

2.2 Electrical specifications

Power Supply:	Xi 80/410: USB/ PoE/ 5-30 VDC Xi 400: USB
Current draw:	Max 500 mA
AO: Output Standard/Internal Process Interface (PIF out)	0 - 10 V (Xi 400), 0/4 – 20 mA (Xi 80/410) (Main measure area, measure area, internal temperature, flag status, recording status, line scan status, alarm, frame sync, fail-safe, external communication) ▶ Appendix F – Wiring diagrams PIF]
AI: Input Standard/Internal Process Interface (PIF in)	0 - 10 V (Emissivity, ambient temperature, reference temperature, uncommitted value, flag control, triggered recording, triggered snapshots, triggered line-scanner, triggered event grabber, reset peak-/valley-hold, switch temperature range) ▶ Appendix F – Wiring diagrams PIF]
DI: Digital Input Standard Process Interface (Xi 400)	Flag control, triggered recording, triggered snapshots, triggered line-scanner, triggered event grabber, reset peak-/valley-hold, switch temperature range ▶ Appendix F – Wiring diagrams PIF]
Digital interface:	Xi 80/410: USB 2.0/ Ethernet/ RS485 Xi 400: USB 2.0/ optional USB to GigE (PoE) conversion

2.3 Measurement specifications

	<u>Xi 80</u>	<u>Xi 400</u>	<u>Xi 410</u>
Temperature ranges	-20...100 °C; 0...250 °C; (20) 150...900 °C ¹⁾	20...100 °C; 0...250 °C; (20) 150...900 °C ¹⁾ Option: 200...1500 °C	20...100 °C; 0...250 °C; (20) 150...900 °C ¹⁾
Spectral range	8 - 14 μm		
Detector	UFPA, 80 x 80 pixel @ 50 Hz	UFPA, 382 x 288 pixel @ 80 Hz/ 27 Hz	UFPA, Ethernet: 384 x 240 Pixel @ 25 Hz USB: 384 x 240 Pixel @ 4 Hz
Lenses (FOV)	12° x 12° (F=1,0); 30° x 30° (F=0,9); 55° x 55° (F=0,9); 80° x 80° (F=0,9)	18° x 14° (F=1,1); 29° x 22° (F=0,9); 53° x 38° (F=0,9); 80° x 54° (F=0,9)	18°x12° (F=1,1), 29°x18° (F=0,9), 53°x31° (F=0,9), 80°x44° (F=0,9)
Microscope lens (FOV)	-	18° x 14° (F=1,1, minimum spot size: 81 μm @ 90 mm, working distance: 90-110 mm)	-
Optical resolution	190:1 (12° optic)	390:1 (18° optic)	
System accuracy ²⁾	±2 °C or ±2 %		
Thermal sensitivity (NETD):	100 mK	80 mK	


Warm-up time	10 min
Emissivity	0.100...1.100
Software / App	PIX Connect / IRmobile

¹⁾ Accuracy statement effective from 150 °C

²⁾ At ambient temperature 23±5 °C; whichever is greater

2.4 Optical specifications



Make sure that the focus of thermal channel is adjusted correctly. The cameras have a **motorized focus**, which can be adjusted in the PIX Connect software (Menu **View/ Windows/ Distance** or over the icon ). An adjustment to the left leads to the focus setting "near" and an adjustment to the right to the focus setting "infinite".

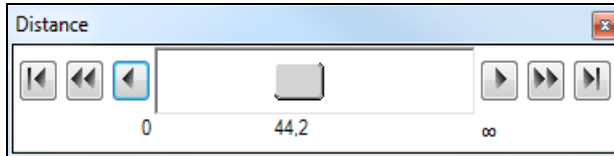
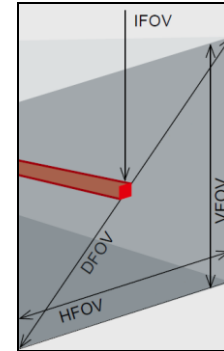


Figure 2: Motorized focus settings in PIX Connect

The variety of different lenses offers the possibility to precisely measure objects in different distances. We offer lenses for close, standard distances and large distances. Please note that the Xi has a fixed optic. A change of optics is not possible. Different parameters are important if using infrared cameras. They display the connection between the distance of the measured object and the size of the pixel (**Table 2**).

- **HFOV:** Horizontal enlargement of the total measuring at object level
- **VFOV:** Vertical enlargement of the total measuring at object level
- **IFOV:** Size at the single pixel at object level
- **DFOV:** Diagonal dimension of the total measuring field at object level
- **MFOV:** Recommended, smallest measured object size of 3 x 3 pixel (Xi 400/410) and 2 x 2 pixel (Xi 80)



Geometric resolution for ideal temperature measurement

When designing optics for measuring IR cameras, special attention must be paid to the quality of detail contrast with which an object can be represented in the image. This is described by the modulation transfer function (MTF). Since in contrast to visual cameras, with IR cameras the thermal contrast is of more interest, this is used together with the slit response function (SRF). The result is determined by the number of pixels an object needs to fill to allow its temperature to be measured exactly. In high-performance infrared optical systems as used by Optris, this is **3x3 pixels** or **2x2 pixels**, with lower quality optical systems, in some circumstances as many as 10x10 pixels may be required, to receive **90 %** of the energy. A high-performance

camera lens also allows a larger measuring distance with the same number of pixels of the detector, or the precise temperature measurement of smaller structures and objects. The **3x3 pixel** (2x2 pixels) geometry is described as **MFOV (measurement field of view)** - one single pixel on the object surface is described as **Ifov (instantaneous field of view)**. The MFOV is comparable with the measuring spot definition with infrared thermometers.

The following tables with examples showing what spot sizes and pixel sizes will be reached in which distance. For individual configuration there are different lenses available. Wide angle lenses have a radial distortion due to their large opening angle; the software PIX Connect has an algorithm which corrects this distortion. As an alternative to the tables below, the [optics calculator](#) can also be used on the optris website or via the [optris calculator app](#). The app can be downloaded for free from the Google Play Store (see QR code).

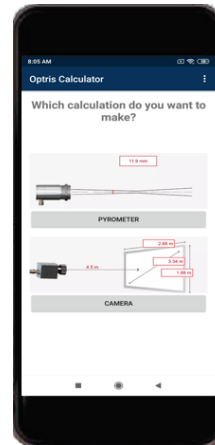


Table 2:

Xi 80	Focal length [mm]	Minimum measurement distance*	Angle	Distance to measurement object [m]												
					0.05	0.1	0.2	0.3	0.5	1	2	4	6	10	30	100
80 x 80 px	5	0.2 m	30°	HFOV [m]	0.028	0.056	0.11	0.17	0.28	0.56	1.1	2.2	3.3	5.6	16.7	55.8
				VFOV [m]	0.028	0.056	0.11	0.17	0.28	0.56	1.1	2.2	3.3	5.6	16.7	55.8
				DFOV [m]	0.039	0.079	0.16	0.24	0.39	0.79	1.58	3.15	4.7	7.9	23.7	78.9
				IFOV [mm]	0.3	0.7	1.4	2.1	3.5	7.0	13.9	27.9	41.8	69.7	209.2	697.1
F05 Standard lens	5	0.2 m	7 mrad	HFOV [m]	0.028	0.056	0.11	0.17	0.28	0.56	1.1	2.2	3.3	5.6	16.7	55.8
				VFOV [m]	0.028	0.056	0.11	0.17	0.28	0.56	1.1	2.2	3.3	5.6	16.7	55.8
				DFOV [m]	0.039	0.079	0.16	0.24	0.39	0.79	1.58	3.15	4.7	7.9	23.7	78.9
				IFOV [mm]	0.3	0.7	1.4	2.1	3.5	7.0	13.9	27.9	41.8	69.7	209.2	697.1
F13 Telephoto lens	13	0.3 m	12°	HFOV [m]	0.022	0.043	0.065	0.11	0.21	0.43	0.85	1.28	2.1	6.4	21.3	
				VFOV [m]	0.022	0.043	0.065	0.11	0.21	0.43	0.85	1.28	2.1	6.4	21.3	
				DFOV [m]	0.031	0.061	0.092	0.15	0.30	0.60	1.20	1.81	3.0	9.0	30.1	
				IFOV [mm]	0.3	0.5	0.8	1.3	2.7	5.3	10.6	16.0	26.6	79.8	266	
F13 Telephoto lens	13	0.3 m	2.7 mrad	HFOV [m]	0.022	0.043	0.065	0.11	0.21	0.43	0.85	1.28	2.1	6.4	21.3	
				VFOV [m]	0.022	0.043	0.065	0.11	0.21	0.43	0.85	1.28	2.1	6.4	21.3	
				DFOV [m]	0.031	0.061	0.092	0.15	0.30	0.60	1.20	1.81	3.0	9.0	30.1	
				IFOV [mm]	0.3	0.5	0.8	1.3	2.7	5.3	10.6	16.0	26.6	79.8	266	
F03 Wide angle lens	3	0.2 m	55°	HFOV [m]	0.057	0.11	0.21	0.32	0.52	1.04	2.1	4.1	6.2	10.4	31.1	103.7
				VFOV [m]	0.057	0.11	0.21	0.32	0.52	1.04	2.1	4.1	6.2	10.4	31.1	103.7
				DFOV [m]	0.081	0.15	0.30	0.45	0.74	1.47	2.9	5.9	8.8	14.7	44.0	146.6
				IFOV [mm]	0.7	1.4	2.7	3.9	6.5	13.0	25.9	51.7	77.8	129.7	388.9	1296
F03 Wide angle lens	3	0.2 m	13 mrad	HFOV [m]	0.057	0.11	0.21	0.32	0.52	1.04	2.1	4.1	6.2	10.4	31.1	103.7
				VFOV [m]	0.057	0.11	0.21	0.32	0.52	1.04	2.1	4.1	6.2	10.4	31.1	103.7
				DFOV [m]	0.081	0.15	0.30	0.45	0.74	1.47	2.9	5.9	8.8	14.7	44.0	146.6
				IFOV [mm]	0.7	1.4	2.7	3.9	6.5	13.0	25.9	51.7	77.8	129.7	388.9	1296
F02 Super wide angle lens	2	0.2 m	80°	HFOV [m]	0.089	0.17	0.34	0.51	0.85	1.69	3.4	6.7	10.1	16.9	50.7	169.0
				VFOV [m]	0.089	0.17	0.34	0.51	0.85	1.69	3.4	6.7	10.1	16.9	50.7	169.0
				DFOV [m]	0.126	0.24	0.49	0.72	1.2	2.4	4.8	9.5	14.3	23.9	71.7	239.0
				IFOV [mm]	1.1	2.2	4.3	6.4	10.6	21.2	42.2	84.3	126	211	634	2113
F02 Super wide angle lens	2	0.2 m	21 mrad	HFOV [m]	0.089	0.17	0.34	0.51	0.85	1.69	3.4	6.7	10.1	16.9	50.7	169.0
				VFOV [m]	0.089	0.17	0.34	0.51	0.85	1.69	3.4	6.7	10.1	16.9	50.7	169.0
				DFOV [m]	0.126	0.24	0.49	0.72	1.2	2.4	4.8	9.5	14.3	23.9	71.7	239.0
				IFOV [mm]	1.1	2.2	4.3	6.4	10.6	21.2	42.2	84.3	126	211	634	2113

* Note: The accuracy of measurement can be outside of the specifications for distances below the defined minimum distance.

Xi 400	Focal length [mm]	Minimum measurement distance*	Angle	Distance to measurement object [m]												
					0.05	0.1	0.2	0.3	0.5	1	2	4	6	10	30	100
F13 Standard lens	13	0.35 m	29°	HFOV [m]		0.059	0.111	0.16	0.27	0.53	1.06	2.1	3.2	5.3	15.8	52.5
			22°	VFOV [m]		0.043	0.082	0.12	0.20	0.39	0.78	1.5	2.3	3.9	11.6	38.5
			37°	DFOV [m]		0.073	0.138	0.20	0.34	0.66	1.31	2.6	3.9	6.5	19.5	65.1
			1.5 mrad	IFOV [mm]		0.2	0.3	0.4	0.7	1.4	2.8	5.5	8.3	13.8	41.2	137.4
F20 Telephoto lens	20	0.35 m	18°	HFOV [m]			0.069	0.102	0.17	0.33	0.66	1.30	1.9	3.2	9.7	32.4
			14°	VFOV [m]			0.051	0.076	0.12	0.25	0.49	0.98	1.5	2.5	7.4	24.6
			23°	DFOV [m]			0.086	0.127	0.21	0.41	0.82	1.63	2.4	4.1	12.2	40.7
			0.9 mrad	IFOV [mm]			0.2	0.3	0.4	0.9	1.7	3.4	5.1	8.5	25.4	84.8
F08 Wide angle lens	8	0.25 m	53°	HFOV [m]		0.099	0.20	0.30	0.49	0.99	2.0	4.0	5.9	9.9	29.6	98.6
			38°	VFOV [m]		0.071	0.14	0.21	0.34	0.68	1.4	2.7	4.1	6.8	20.4	68.1
			65°	DFOV [m]		0.122	0.25	0.36	0.60	1.20	2.4	4.8	7.2	12.0	36.0	119.9
			2.6 mrad	IFOV [mm]		0.26	0.53	0.78	1.3	2.6	5.2	10.4	15.5	25.9	77.5	258.2
F06 Super wide angle lens	6	0.2 m	80°	HFOV [m]	0.084	0.16	0.32	0.48	0.81	1.6	3.3	6.5	9.8	16.6	49.9	166.4
			54°	VFOV [m]	0.056	0.11	0.21	0.31	0.51	1.0	2.0	4.1	6.1	10.2	30.6	101.9
			96°	DFOV [m]	0.101	0.19	0.38	0.57	0.96	1.9	3.8	7.7	11.6	19.5	58.5	195.1
			4.3 mrad	IFOV [mm]	0.2	0.4	0.8	1.3	2.1	4.2	8.5	17.0	25.7	43.6	130.7	435.5

* Note: The accuracy of measurement can be outside of the specifications for distances below the defined minimum distance.

Xi 410	Focal length [mm]	Minimum measurement distance*	Angle	Distance to measurement object [m]												
					0.05	0.1	0.2	0.3	0.5	1	2	4	6	10	30	100
F13 Standard lens	13	0.35 m	29°	HFOV [m]		0.059	0.112	0.17	0.27	0.53	1.07	2.1	3.2	5.3	15.9	52.9
			18°	VFOV [m]		0.036	0.068	0.10	0.16	0.32	0.64	1.3	1.9	3.2	9.5	31.7
			35°	DFOV [m]		0.069	0.131	0.19	0.32	0.62	1.24	2.5	3.7	6.2	18.5	61.6
			1.4 mrad	IFOV [mm]		0.2	0.3	0.4	0.7	1.4	2.8	5.5	8.3	13.8	41.3	137.7
F20 Telephoto lens	20	0.35 m	18°	HFOV [m]			0.069	0.102	0.17	0.33	0.66	1.31	2.0	3.3	9.8	32.6
			12°	VFOV [m]			0.043	0.064	0.10	0.21	0.41	0.82	1.2	2.1	6.1	20.5
			21°	DFOV [m]			0.081	0.120	0.20	0.39	0.78	1.55	2.3	3.9	11.5	38.5
			0.9 mrad	IFOV [mm]			0.2	0.3	0.4	0.9	1.7	3.4	5.1	8.5	25.5	84.8
F08 Wide angle lens	8	0.25 m	53°	HFOV [m]		0.100	0.20	0.30	0.49	0.99	2.0	4.0	5.9	9.9	29.7	98.9
			31°	VFOV [m]		0.057	0.11	0.17	0.28	0.55	1.1	2.2	3.3	5.5	16.5	54.9
			61°	DFOV [m]		0.115	0.23	0.34	0.57	1.13	2.3	4.5	6.8	11.3	33.9	113.1
			2.6 mrad	IFOV [mm]		0.3	0.5	0.8	1.3	2.6	5.1	10.3	15.5	25.8	77.2	257.4
F06 Super wide angle lens	6	0.2 m	80°	HFOV [m]	0.084	0.16	0.32	0.48	0.81	1.6	3.3	6.5	9.8	16.6	49.9	166.4
			44°	VFOV [m]	0.044	0.08	0.17	0.25	0.41	0.8	1.6	3.2	4.8	8.0	24.1	80.4
			91°	DFOV [m]	0.095	0.18	0.36	0.54	0.91	1.8	3.6	7.3	10.9	18.5	55.4	184.8
			4.3 mrad	IFOV [mm]	0.2	0.4	0.8	1.3	2.1	4.2	8.5	16.9	25.5	43.4	130.0	433.2

* Note: The accuracy of measurement can be outside of the specifications for distances below the defined minimum distance.

Microscope optics Xi 400 382 x 288 px	Focal length [mm]	Minimum measurement distance*	Angle	Distance to measurement object [m]			
					0.09	0.1	0.11
F20 CF Microscope optics	20	0.09 m	18°	HFOV [m]	0.031	0.034	0.037
			14°	VFOV [m]	0.024	0.026	0.028
			23°	DFOV [m]	0.039	0.043	0.047
			0.9 mrad	IFOV [mm]	0.08	0.09	0.10

* Note: The accuracy of measurement can be outside of the specifications for distances below the defined minimum distance.

3 Mechanical Installation

3.1 Dimensions

The Xi is equipped with a metric M30x1 thread and can be installed either directly via the sensor thread or with help of the supplied mounting nut (standard) and adjustable mounting bracket (standard) to a mounting device available.



Figure 3: Xi with mounting bracket

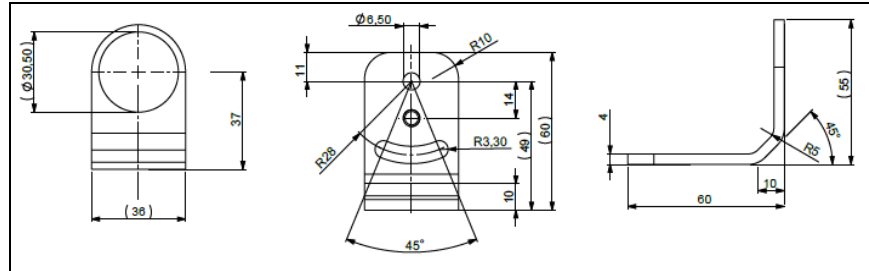


Figure 4: Mounting bracket, adjustable in one axis, with tripod thread
[Order No. - ACXIFB] – standard scope of supply



For correct orientation, the USB port must be on the left side and the PIF port on the right side, see **Figure 5** or **Figure 6**.

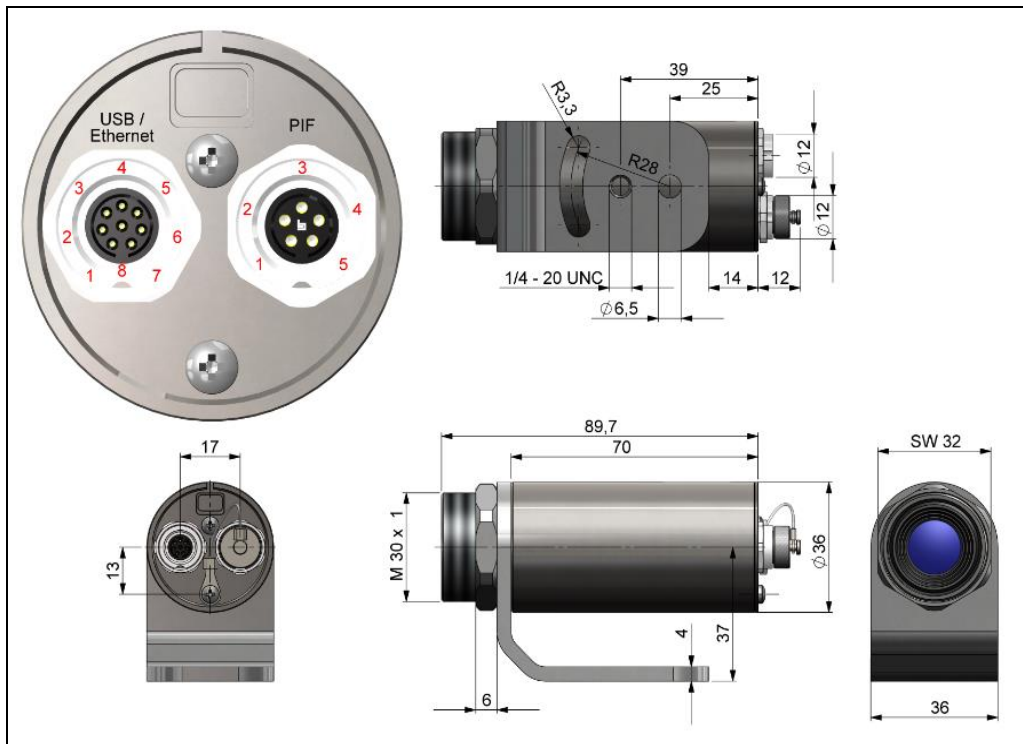


Figure 5: Xi 80, dimensions [mm]

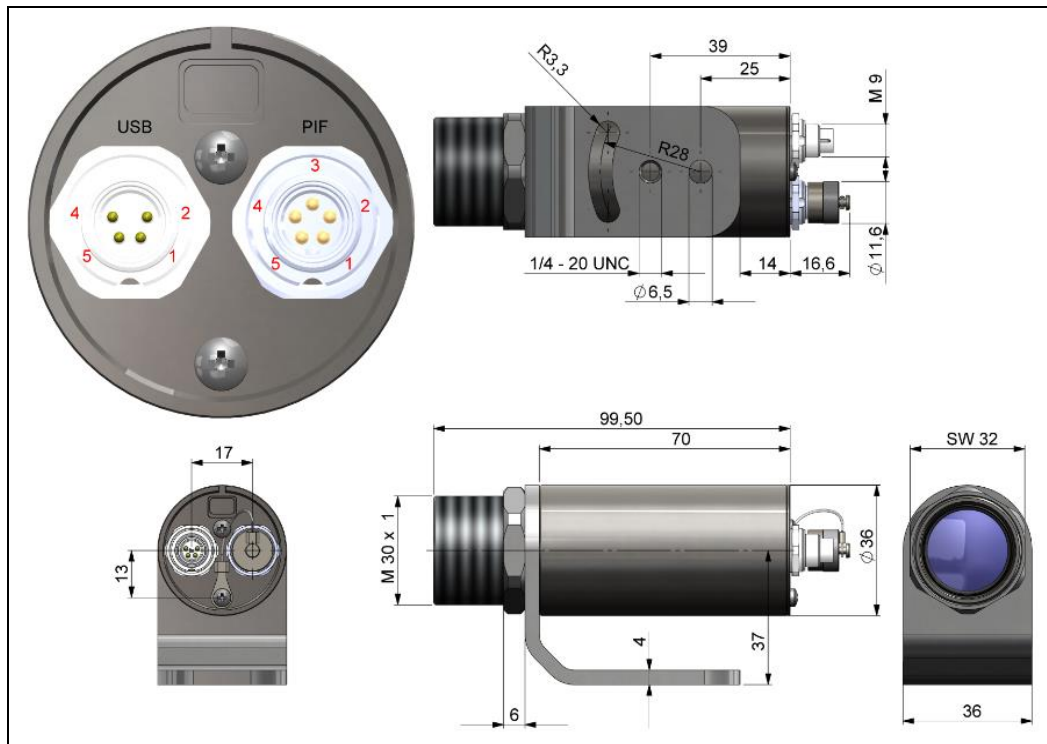


Figure 6 : Xi 400, dimensions [mm]

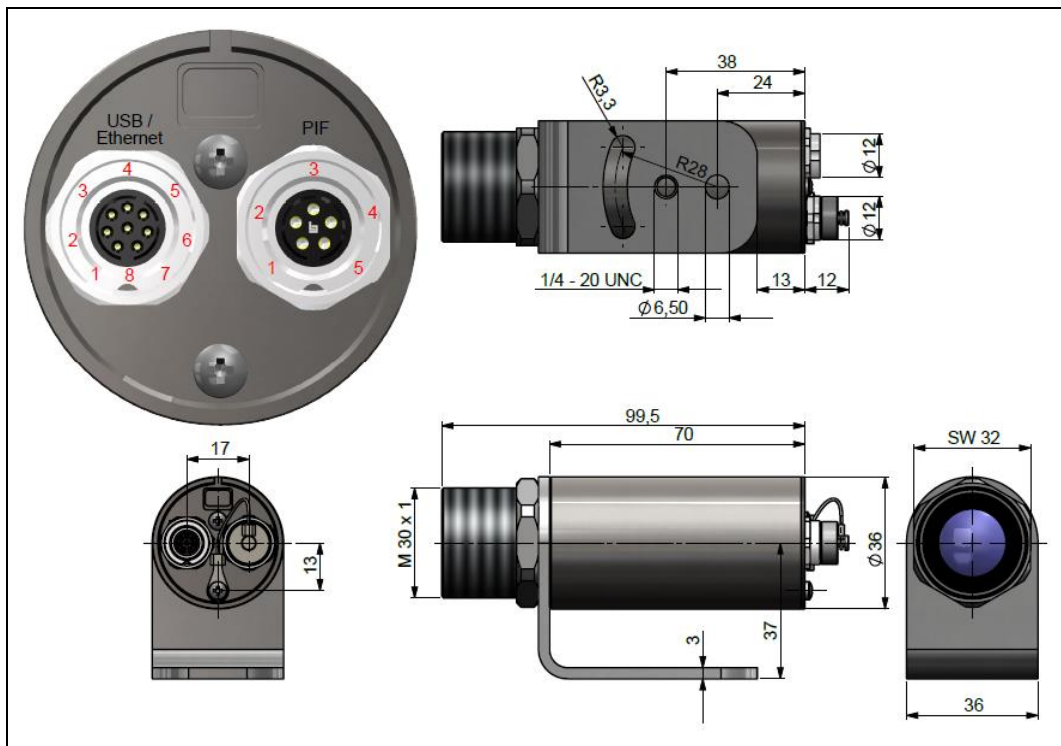


Figure 7 : Xi 410, dimensions [mm]

3.2 Accessories

3.2.1 Air purge laminar

The lens must be kept clean at all times from dust, smoke, fumes and other contaminants in order to avoid reading errors. These effects can be reduced by using an air purge. (**Part-No.: ACXIAPL**)



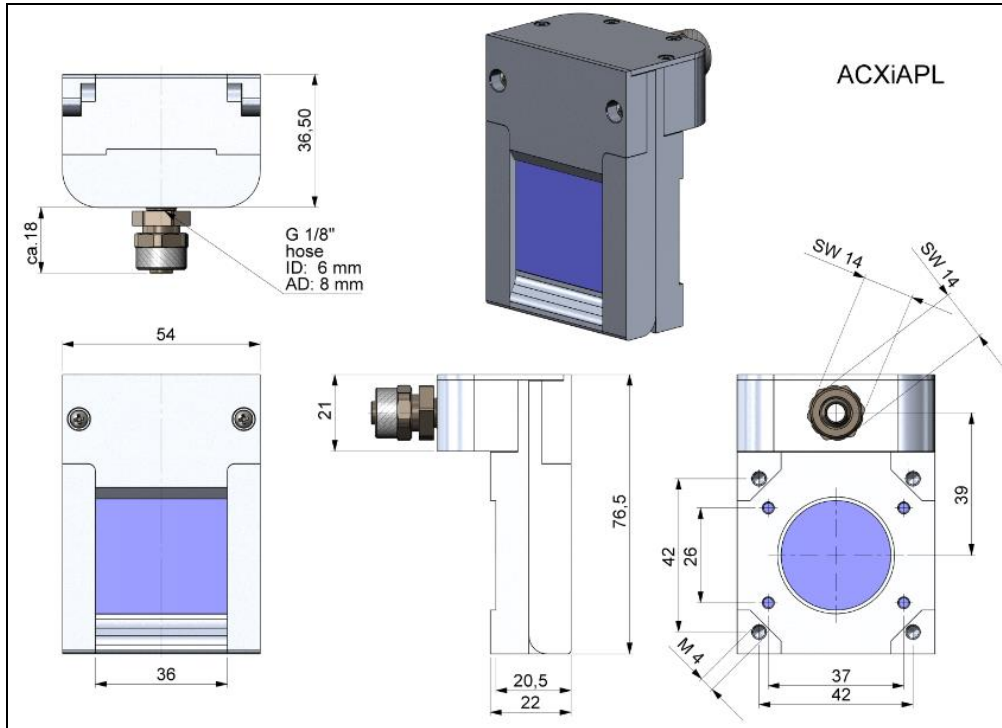
- Make sure to use oil-free, technically clean air, only.
- The needed amount of air (approx. 2...10 l/min.) depends on the application and the installation conditions on-site.
- The laminar air purge has a Si-protective window. Typical transmission value: 0.82 (deviations possible), replacement window available under the **Part-No.: ACXIAPLWSI**
- The corresponding mounting bracket (**Part-No.: ACXIAPLAB**) is mandatory.
- Material: Anodized aluminum, weight: 218 g / 494 g with mounting bracket
- Ambient temperature: 0...80 °C (T_{Amb} camera: 0...50 °C); with water cooled housing up to 250 °C

Air flow

The air purge can be mounted in four different positions.

The direction of the airflow must always be clear.





How-to Video
Replacement of Si-
protective window

[https://www.optris.global/
replacement-of-the-si-
protective-window-of-the-
laminar-air-purge-
attachment](https://www.optris.global/replacement-of-the-si-protective-window-of-the-laminar-air-purge-attachment)

Figure 9: Laminar air purge with Si protective window, dimensions [mm]

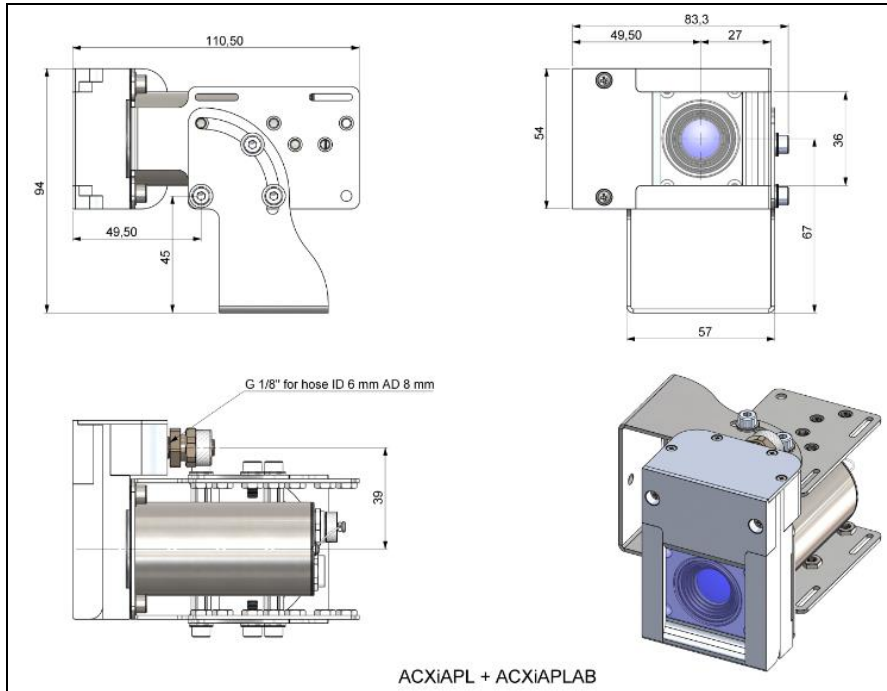


Figure 10: Laminar air purge with Si protective window (ACXIAPL) and mounting bracket (ACXIAPLAB), dimensions [mm]



How-to video Xi 80

<https://www.optris.global/mounting-the-air-purge-unit-on-xi-80>



How-to video Xi 400

<https://www.optris.global/mounting-the-air-purge-unit-on-xi-400>

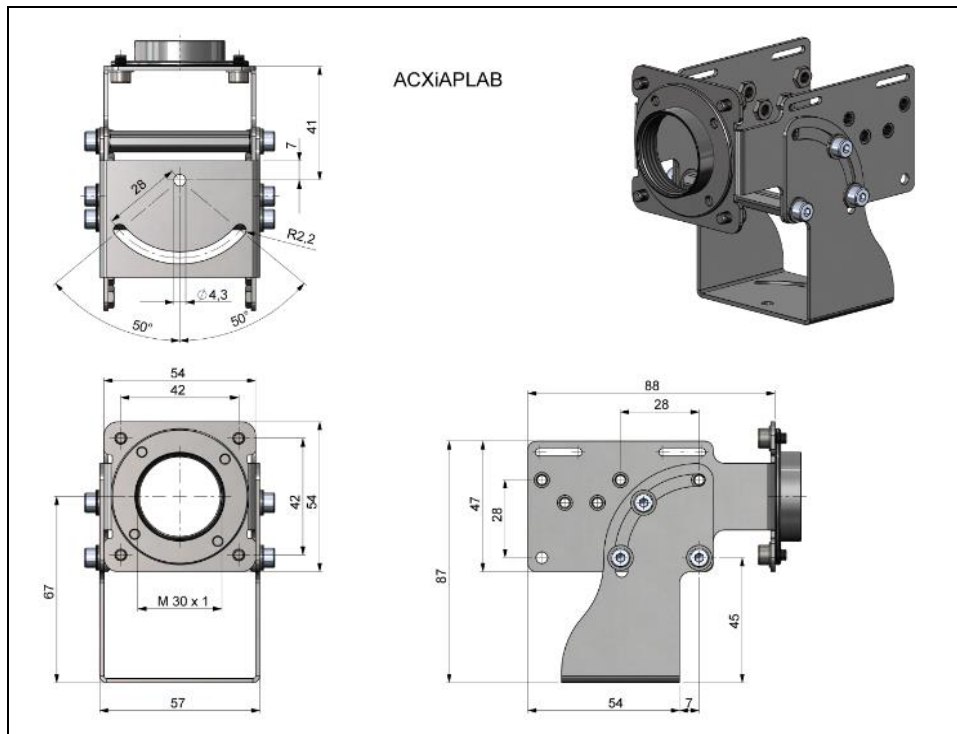


Figure 11: Mounting bracket (ACXIAPLAB), dimensions [mm], weight: 276 g

3.2.2 Water cooling

The IR camera is for application at ambient temperatures up to 50 °C. For applications at higher ambient temperatures we recommend the usage of the optional water cooled housing (operating temperature up to 250 °C) and the optional high temperature cable (operating temperature up to 250 °C).



- When using water cooling, a corresponding mounting kit (**Part-No.: ACXIxxxWAKx**) is required (WAK1: Usage without air purge, WAK2: Usage with air purge).
- Water flow rate: approx. 1-5 l/ min (Cooling water temperature should not exceed 30 °C)
- When using the water cooling the air purge (**Part-No.: ACXIAPL**) is recommended in order to avoid condensation
- Material: Stainless steel
- Weight: 1480 g

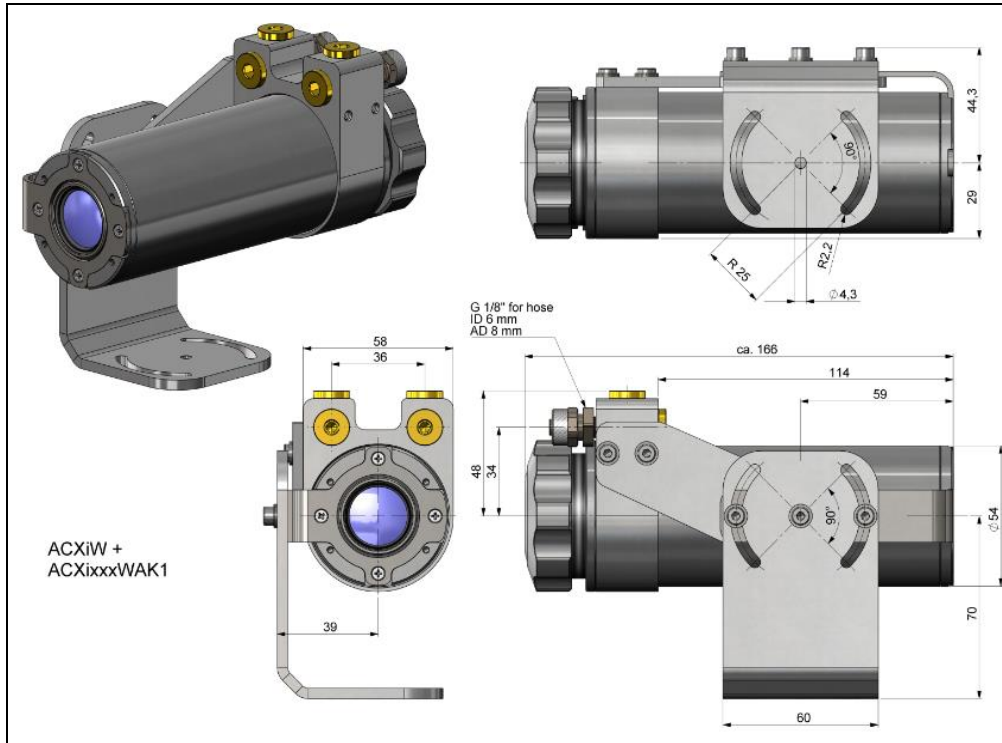


Figure 12: Water cooling (ACXiW) and mounting kit (ACXiWAK1), dimensions [mm], weight: 1710 g

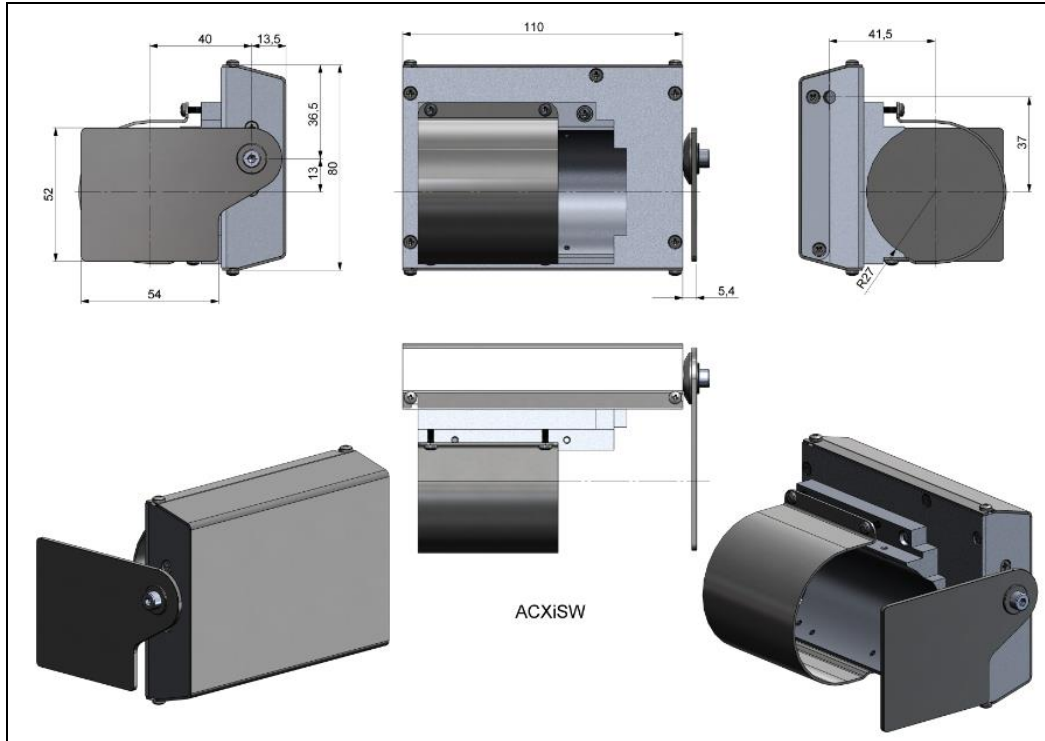


Figure 13: Shutter for water cooling (ACXISW), dimensions [mm], weight: 600 g

3.2.3 Shutter

To protect the optics of the camera, an optional shutter (closing mechanism) can be purchased. It is equipped with a servomotor that can open and close a mechanical lock as needed. The special feature of the shutter is not only the opening and closing, but also the complete seal in the closed state. This ensures that the shutter is completely closed and no dirt can get on the optics.



- The shutter has a 100 ms fast-closing mode.
- Complete seal when closed.
- Includes a control box for connections.
- Shutter can be used in combination with Process Interface (PIF).
- The corresponding mounting bracket (**Part-No.: ACXIAPLAB**) is mandatory.
- Material: Stainless steel
- Weight: 550 g / 826 g Shutter with mounting bracket
- When using more than one shutter and the opening / closing of the shutter should be simultaneously, the switch S4 on one control box must be set to mA and the others to mV (see **Figure 16**).
- Ambient temperature: 0...60 °C (T_{Amb} camera: 0...50 °C); with water cooled housing up to 250 °C

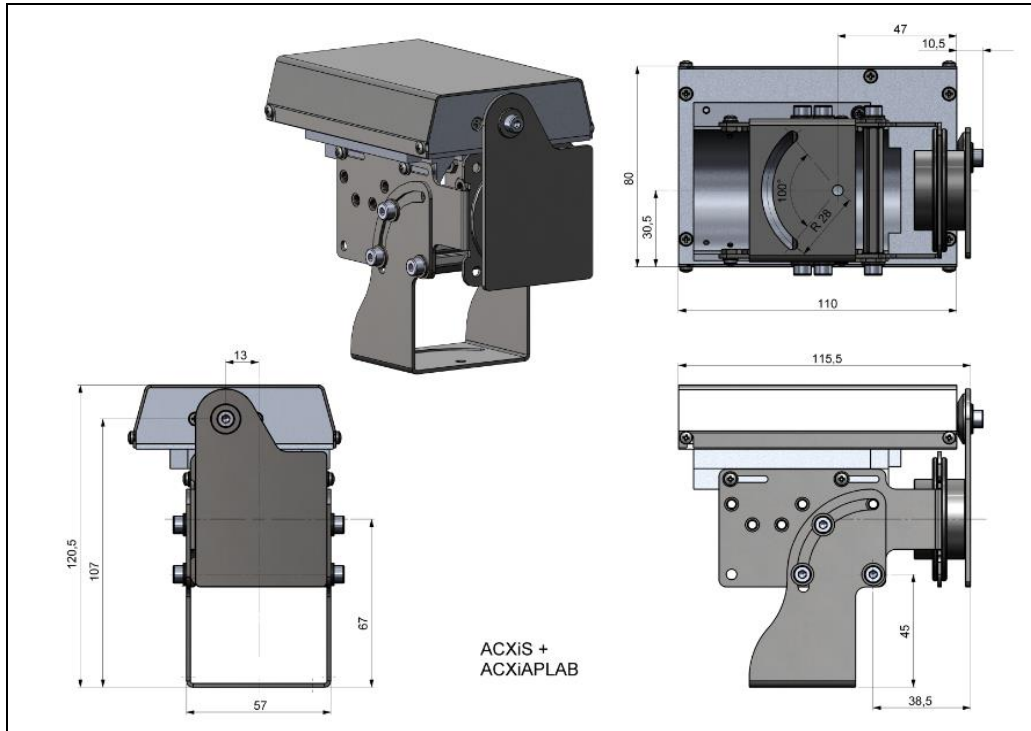


Figure 14: Shutter (ACXIS) with mounting bracket (ACXIAPLAB), dimensions [mm], weight: 826 g

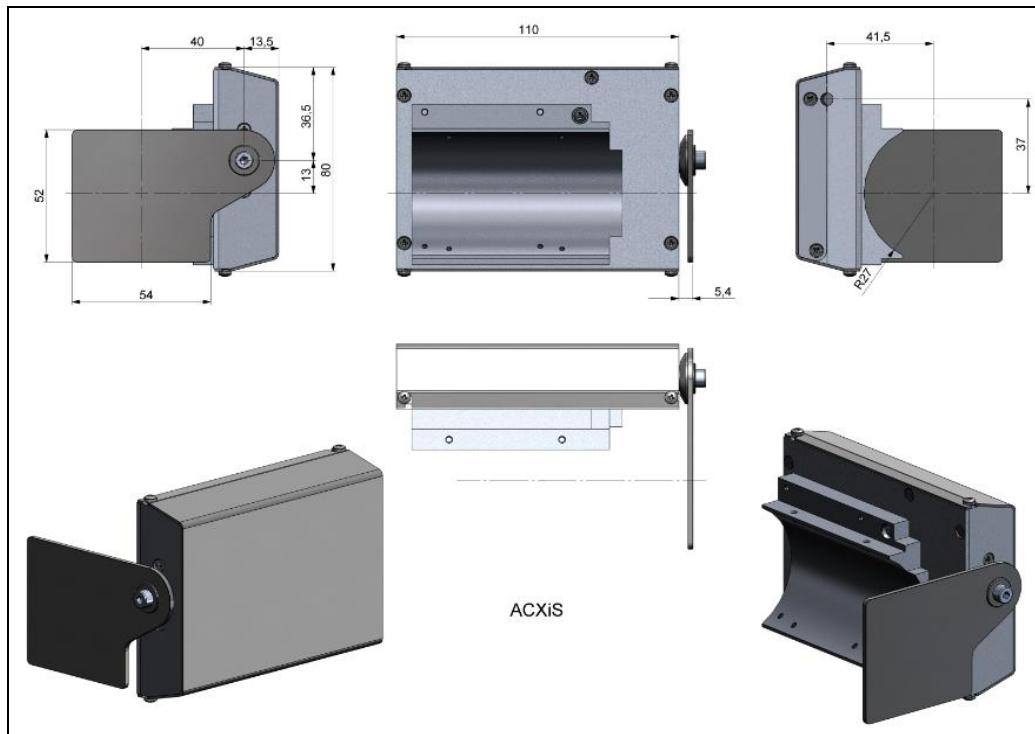


Figure 15: Shutter (ACXiS), dimensions [mm], weight: 550 g

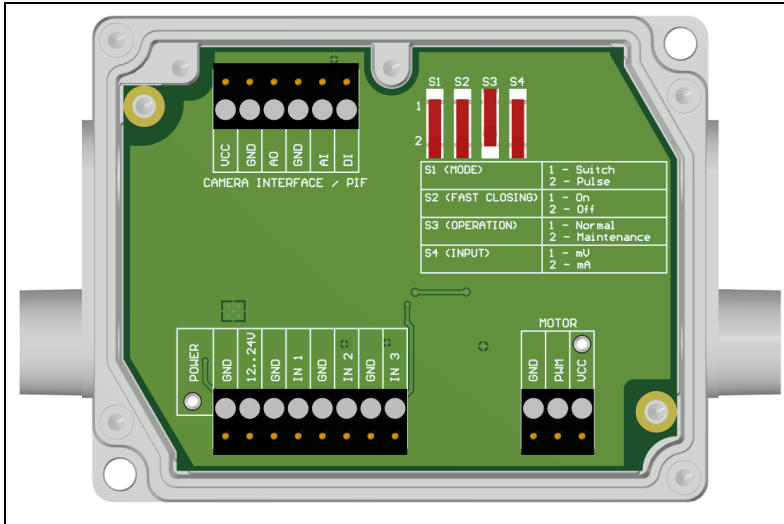


Figure 16: Control box of shutter, dimensions (see **Figure 8**)

Lower screw terminal: Connection for power supply, Inputs (Start/Stop signal) and Motor

Power supply: 12-24 V

Upper terminal screw Connection for Process Interface (PIF)

Switch for different operation modes:

S1: Switching between switch operation and pulse operation

S2: Activation/deactivation of fast-closing mode

S3: Only for factory calibration (Switch must be at Normal)

S4: Switching between mV or mA input

Inputs (Start/Stop signal, max. 24 V, input is active LOW (open input = HIGH)):

IN 1: Trigger input for normal operation (S1)

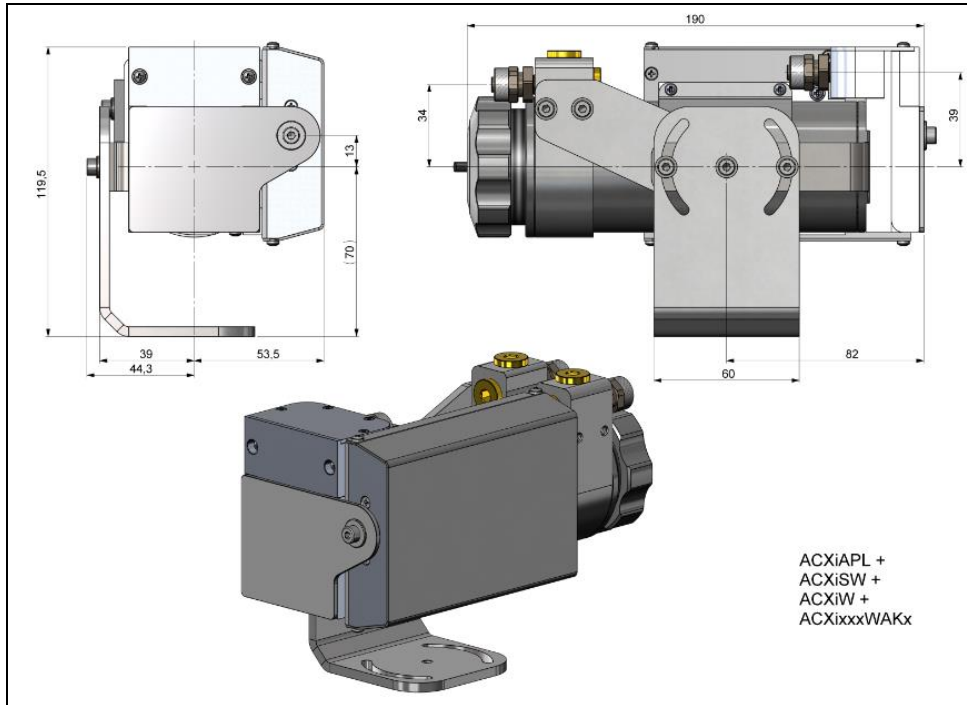
IN 2: Currently no usage

IN 3: Trigger input for fast-closing mode (S2)

3.2.4 Combination of air purge, water cooling and shutter

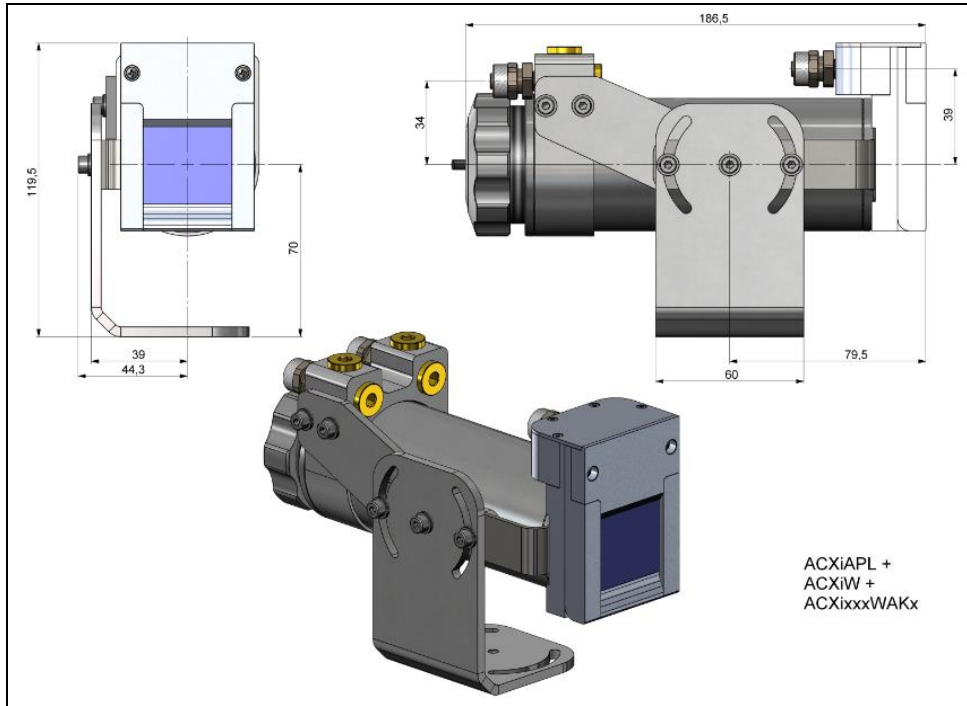
It is possible to combine all three components (air purge, water cooling and shutter) with each other. It should be noted that there are differences between the Xi 80 and Xi 400/410. Various mounting kits (ACXIxxxWAKx) are available in combination with water cooling. The mounting bracket (ACXIAPLAB) is always required for air purge and shutter. For water cooling (ACXIW), the mounting bracket is included and does not have to be ordered separately.

Part-No.:	ACXIAPL	ACXIAPLAB	ACXIS	ACXISW	ACXIW	ACXI80WAK1	ACXI80WAK2	ACXI400WAK1	ACXI400WAK2
Combinations									
Air purge	✓	✓							
Water cooling Xi 80					✓	✓			
Water cooling Xi 400/410					✓			✓	
Shutter		✓	✓						
Air purge and water cooling Xi 80	✓				✓		✓		
Air purge and water cooling Xi 400/410	✓				✓				✓
Air purge and shutter	✓	✓	✓						
Water cooling and shutter Xi 80				✓	✓	✓			
Water cooling and shutter Xi 400/410				✓	✓			✓	
Air purge, water cooling and shutter Xi 80	✓			✓	✓		✓		
Air purge, water cooling and shutter Xi 400/410	✓			✓	✓				✓

**Components:**

- Air purge
- Water cooling
- Shutter
- Mounting kit

Figure 17: Air purge (ACXIAPL), water cooling (ACXIW), shutter (ACXISW) and appropriate mounting kit (ACXIxxxWAKx), dimensions [mm]



Components:

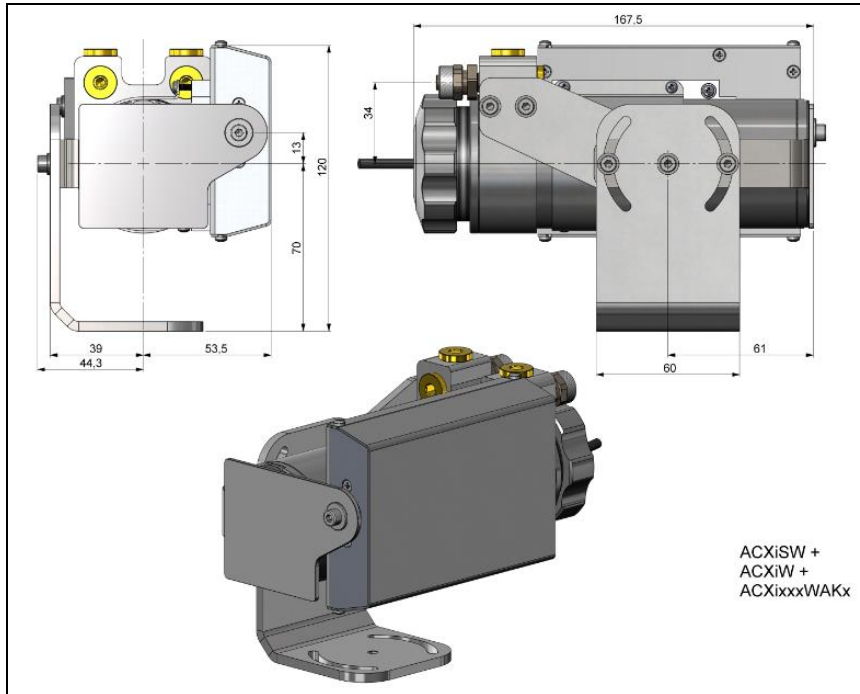
- Air purge
- Water cooling
- Mounting kit



How-to video

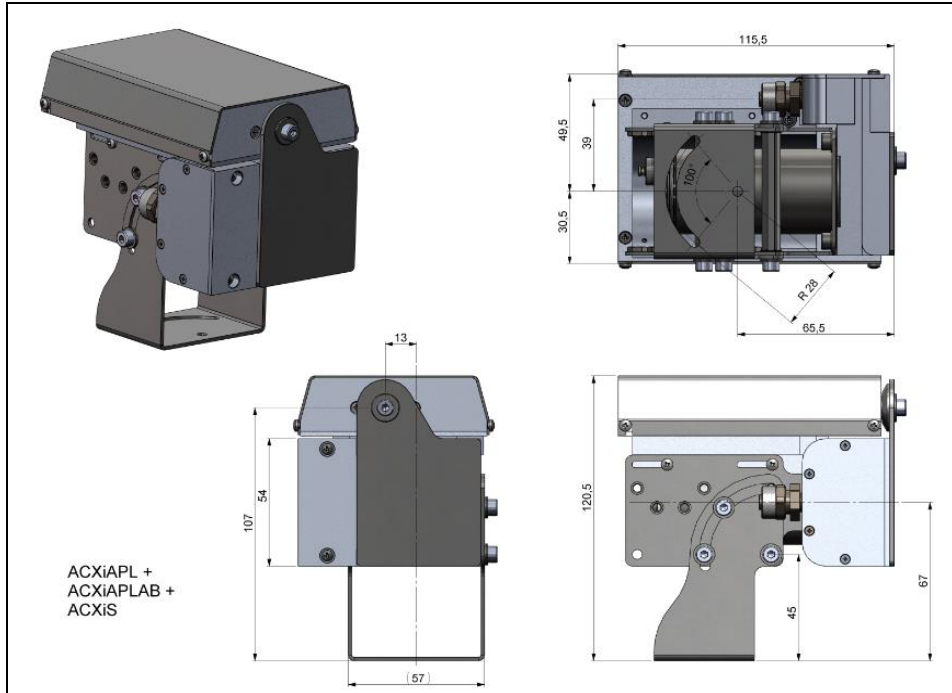
<https://www.optris.global/assembly-of-xi-400-into-the-water-cooling-housing-with-the-use-of-the-laminar-air-purge>

Figure 18: Air Purge (ACXiAPL), water Cooling (ACXiW) and appropriate mounting kit (ACXixxxWAKx), dimensions [mm]

**Components:**

- Water cooling
- Shutter
- Mounting kit

Figure 19: Water Cooling (ACXiW), Shutter (ACXiSW) and appropriate mounting kit (ACXixxxWAKx), dimensions [mm]

**Components:**

- Air purge
- Mounting bracket
- Shutter

Figure 20: Air purge (ACXIAPL) with mounting bracket (ACXIAPLAB) and shutter (ACXIS), dimensions [mm]

3.2.5 Outdoor protective housing



- The infrared camera Xi can also be used for outdoor applications by using the outdoor protective housing (Part-No.: **ACXIOPH24**).
- In addition, the industrial or stackable PIF (Part-No.: **ACCJAPIPIFMA** (Xi 400) or **ACOPHXIPIF** (Xi 80/410)) can be installed as an accessory without housing and a USB Server (Part-No.: **ACPIUSBSGB**).
- For detailed information see installation manual.



Figure 21: Outdoor protective housing for Xi camera

4 Electrical Installation

At the back side of the Xi there are the two connector plugs (see **Figure 22** and **Figure 23**).



Figure 22: Backside of the Xi 80/410 with connectors

- 1 Plug for USB / Ethernet¹⁾ / PoE cable
- 2 Plug for in- and outputs or RS485



Figure 23: Backside of the Xi 400 with connectors

- 1 Plug for USB cable
- 2 Plug for PIF cable

¹⁾ When using the Ethernet connector, a 5...30 V DC power supply must be ensured via the terminal block

4.1 Process interface

4.1.1 Process interface Xi 80/410

The Xi 80/410 is equipped with an integrated process interface (cable with terminal block included in scope of supply), which can be programmed via the software as a direct analog input (AI), as a direct analog output (AO) in order to control the process or as an RS485 interface¹⁾. The signal level is 0-10 V for AI and 0/4-20 mA for AO.



The process interface can be activated via the software choosing the following options:

Analog Input (AI):	Emissivity, ambient temperature, reference temperature, uncommitted value, flag control, triggered recording, triggered snapshots, triggered line-scanner, triggered event grabber, reset peak-/valley-hold, switch temperature range
Analog Output (AO):	Main measure area, measure area, internal temperature, flag status, recording status, line scan status, alarm, frame sync, fail-safe, external communication

¹⁾ Direct out- and inputs are not available while using the RS485 interface

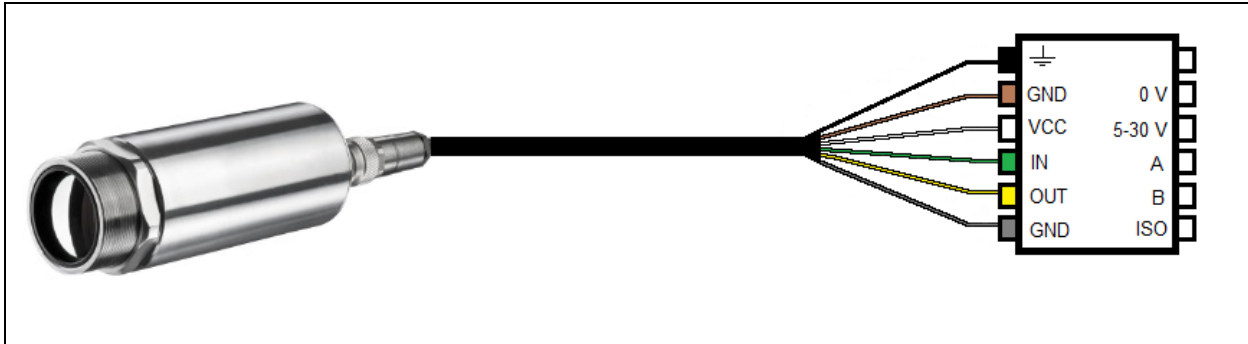



Figure 24: Configuration terminal block Xi 80/410

		Shield	Black
GND	0 V	Ground	Brown
VCC	5-30 V	Power ¹⁾	White
IN	A	Analog/Digital Input or RS485 (A)	Green
OUT	B	Analog Output or RS485 (B)	Yellow
GND	ISO	Isolated Ground for IN and OUT	Gray

¹⁾ Power supply only necessary when using the Ethernet connection (without PoE) or self-sufficient operation

The Xi 80/410 provides the following direct inputs and outputs:

Name	Description	max range / status
AI	Analog input	0-10 V ¹⁾
or DI	Digital input (active-low = 0...0,6 V)	24 V
AO	Analog output Alarm output	0/4-20 mA 0/4-20 mA

¹⁾ The AI is designed for max. 24 V, the voltage level above 10 V is not interpreted

In addition to the above direct in- and outputs, the Xi 80/410 has an RS485 interface. This interface can be used to control the external industrial PIF.

4.1.2 Process interface Xi 400



The process interface (electronics within cable as well as industrial interface) must be powered separately (5-24 VDC). Before switching on the power the PIF cable must be connected to the camera.

The Xi is equipped with a process interface (cable with integrated electronics and terminal block), which can be programmed via the software as an Analog Input (AI) and Digital Input (DI) in order to control the camera or as an Analog Output (AO) in order to control the process. The signal level is always 0-10 V (DI = 24 V).



The process interface can be activated via the software choosing the following options:

Analog Input (AI):	Emissivity, ambient temperature, reference temperature, uncommitted value, flag control, triggered recording, triggered snapshots, triggered line-scanner, triggered event grabber, reset peak-/valley-hold, switch temperature range
Analog Output (AO):	Main measure area, measure area, internal temperature, flag status, recording status, line scan status, alarm, frame sync, fail-safe, external communication
Digital Input (DI):	Flag control, triggered recording, triggered snapshots, triggered line-scanner, triggered event grabber, reset peak-/valley-hold, switch temperature range

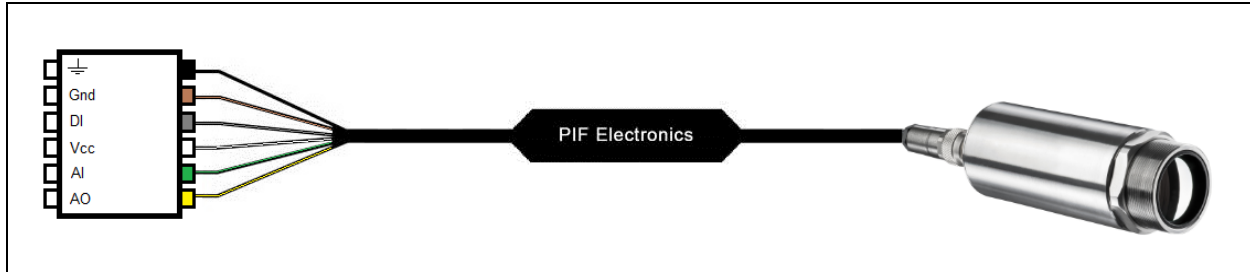


Figure 25: Configuration Standard Process Interface (PIF) Xi 400

\perp	Shield	Black
Gnd	Ground	Brown
DI	Digital Input	Gray
Vcc	Power supply, 5...24 V DC	White
AI	Analog Input	Green
AO	Analog Output	Yellow

The standard process interface provides the following inputs and outputs:

<u>Name</u>	<u>Description</u>	<u>max range¹⁾/ status</u>
AI	Analog input	0-10 V ²⁾
DI	Digital input (active-low = 0...0,6 V)	24 V
AO	Analog output Alarm output	0-10 V 0/ 10 V

¹⁾ Depending on supply voltage; for 0-10 V on the AO the PIF has to be powered with min. 12 V.

²⁾ The AI is designed for max. 24 V, the voltage level above 10 V is not interpreted

4.1.3 PIN allocation Xi 80/410



Figure 26: Rear side of Xi 80/410

USB	Ethernet	PIF
1 VCC		1 VCC
2 D +		2 RS485 or AO
3 D -		3 RS485 or AI
4	Tx +	4 GND
5	Tx -	5 GND-ISO
6	Rx +	
7	Rx -	
8 GND		

4.1.4 PIN allocation Xi 400



USB	PIF
1 VCC	1 INT
2 GND	2 SDA (I ² C)
4 D -	3 SCL (I ² C)
5 D +	4 DGND
	5 3,3 V (Out)

Figure 27: Rear side of Xi 400

If the process interface of the camera is directly connected to external hardware¹⁾ (without using the supplied PIF cable) an activation of the field „Support proprietary PIF cable” in the menu **Tools/ Configuration/ Device (PIF)** in the PIX Connect software is necessary.



Figure 28: Support proprietary PIF cable



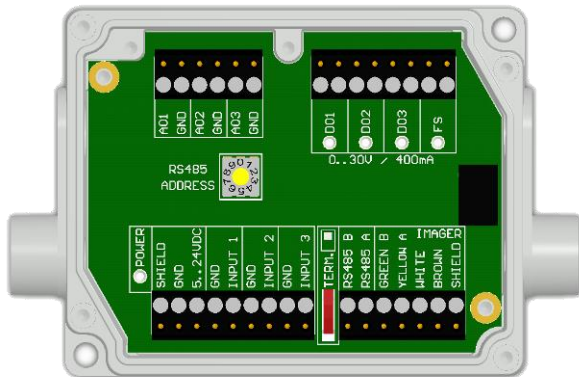
Consider that the input of the PIF is not protected if there is a direct PIF connection!
A voltage > 3 V on the INT pin will destroy the device!

¹⁾ We recommend using only a switching contact between INT and DGND as external hardware (button, relay).

4.1.5 Industrial Process Interface for Xi 80/410 (optional)

For use in industrial environment the industrial process interface with 500 V AC_{RMS} isolation voltage between Xi and process is available (connection box with IP65, 5 m, 10 m or 20 m standard or high temperature cable for camera connection, terminal for process integration). [► **Appendix F – Wiring diagrams PIF**]

Pin assignment PIF cable (industrial process interface)



GREEN	RS485 B
YELLOW	RS485 A
WHITE	12 V
BROWN	GND
SHIELD	GND

Figure 29: Connections of the industrial Process Interface for Xi 80/410

The process interface can be activated via the software choosing the following options:

Analog Input (AI):	Emissivity, ambient temperature, reference temperature, uncommitted value, flag control, triggered recording, triggered snapshots, triggered line-scanner, triggered event grabber, reset peak-/valley-hold, switch temperature range
Analog Output (AO):	Main measure area, measure area, internal temperature, flag status, recording status, line scan status, alarm, frame sync, fail-safe, external communication, autonomous status
Digital Output (DO):	Flag status, recording status, line scan status, alarm, frame sync, fail-safe, external communication, autonomous status

The industrial process interface provides the following in- and outputs:

<u>Name</u>	<u>Description</u>	<u>max range¹⁾/ status</u>
INPUT 1 / 2 / 3	Analog or digital input	0-10 V ²⁾
AO1 / 2 / 3	Analog output 1, 2 and 3 Alarm output 1, 2 and 3	0-10 V 0/4-20 mA
DO1 / 2 / 3	Relay output 1, 2 and 3	open/ closed (red LED on) / 0...30 V, 400 mA
FS	Fail-safe relay	open/ closed (green LED on) / 0...30 V, 400 mA

¹⁾ depending on supply voltage; for 0-10 V on the AO the PIF has to be powered with min. 12 V.

²⁾ the AI is designed for max. 24 V, the voltage level above 10 V is not interpreted



The industrial PIF has a maximum of 3 analog outputs. To use more outputs, you can cascade up to three PIFs, allowing you to use up to 9 analog or alarm outputs in total.

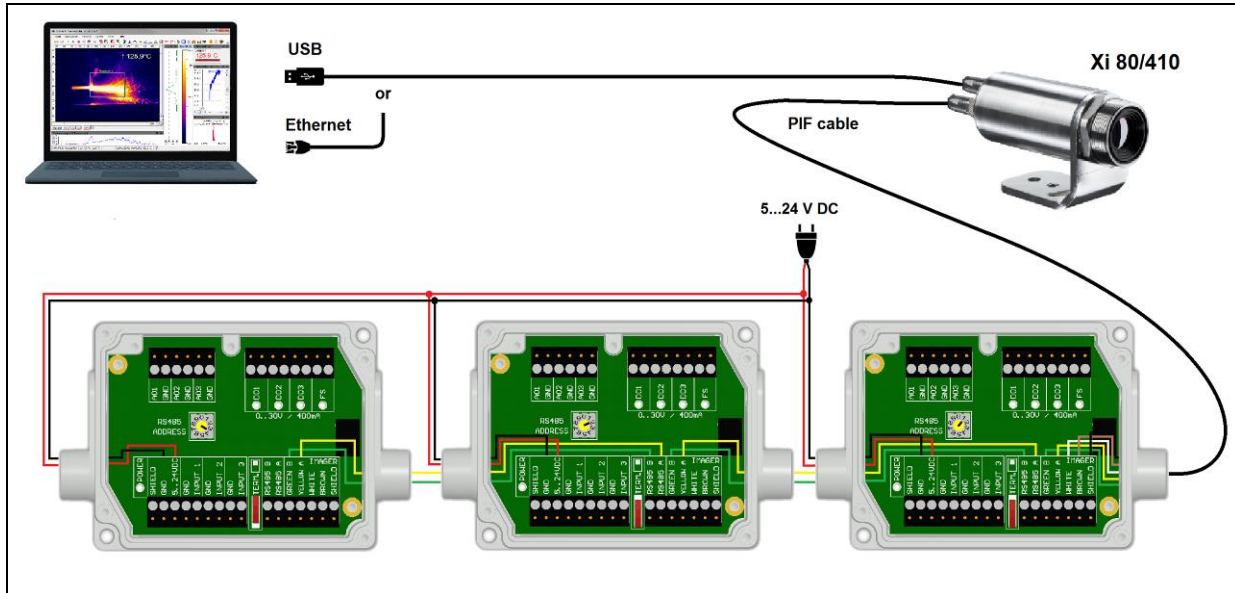


Figure 30: Connection of 3 industrial PIFs via RS485



Each stackable industrial PIF must have its own **RS485 address**. The address must be set directly on the board. For the PIF which is the furthest away the **120R switch (TERM. – Termination)** has to be set.



The RS485 interface is defined for a length of 500 m.

The process interface has an integrated fail-safe mode. This allows to control conditions like interruption of cables, shut-down of the software etc. and to give out these conditions as an alarm. The time constant of the fail-safe is 1.5 seconds.

Controlled conditions on camera and software	Standard Process interface ACXIIOCB1	Industrial Process interface ACXIPIFCBxx
Interruption USB cable to camera	✓	-
Interruption data cable camera - PIF	✓	✓
Interruption power supply PIF	✓	✓
Shut-down of PIX Connect software	✓	-
Crash of PIX Connect software	-	-
Fail-Safe-Output	0 mA at analog output (AO)	open contact (fail-safe relay)/ green LED off

4.1.6 Industrial Process Interface for Xi 400 (optional)

For use in industrial environment the industrial process interface with 500 V AC_{RMS} isolation voltage between Xi and process is available (connection box with IP65, 5 m, 10 m or 20 m standard or high temperature cable for camera connection, terminal for process integration). [► **Appendix F – Wiring diagrams PIF**]

Pin assignment PIF cable (industrial process interface)

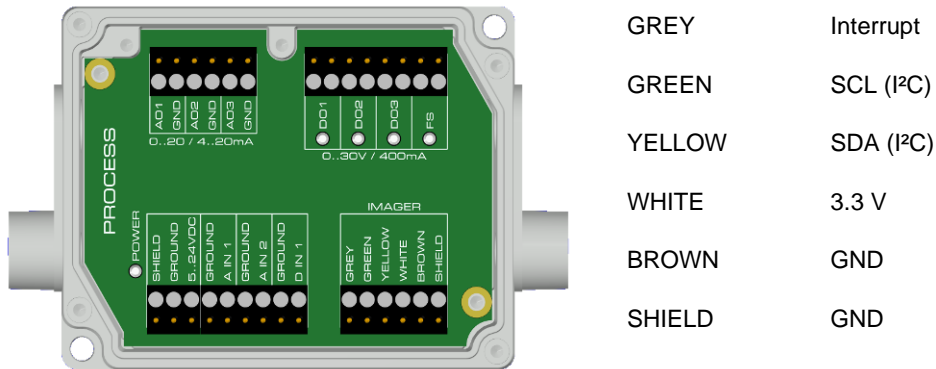


Figure 31: Connections of the industrial Process Interface for Xi 400

The process interface can be activated via the software choosing the following options:

Analog Input (AI):	Emissivity, ambient temperature, reference temperature, uncommitted value, flag control, triggered recording, triggered snapshots, triggered line-scanner, triggered event grabber, reset peak-/valley-hold, switch temperature range
Analog Output (AO):	Main measure area, measure area, internal temperature, flag status, recording status, line scan status, alarm, frame sync, fail-safe, external communication
Digital Input (DI):	Flag control, triggered recording, triggered snapshots, triggered line-scanner, triggered event grabber, reset peak-/valley-hold, switch temperature range

The industrial process interface provides the following inputs and outputs:

<u>Name</u>	<u>Description</u>	<u>max range¹⁾/ status</u>
A IN 1 / 2	Analog input 1 and 2	0-10 V ²⁾
D IN 1	Digital input (active-low = 0...0,6 V)	24 V
AO1 / 2 / 3	Analog output 1, 2 and 3 Alarm output 1, 2 and 3	0/4-20 mA
DO1 / 2 / 3	Relay output 1, 2 and 3 ³⁾	open/ closed (red LED on) / 0...30 V, 400 mA
FS	Fail-safe relay	open/ closed (green LED on) / 0...30 V, 400 mA

¹⁾ depending on supply voltage; for 0-20 mA on the AO the PIF has to be powered with $min. 5V < (1.5 + working\ resistance * 0.021) < 24\ V$; Example: $R_{Load} = 500\ ohm \rightarrow U_{min} = 1.5 + 500 * 0.021 = 12\ V$, $R_{Load} = 100\ ohm \rightarrow U_{min} = 1.5 + 100 * 0.021 = 3.6\ V \rightarrow min. 5\ V$

²⁾ the AI is designed for max. 24 V, the voltage level above 10 V is not interpreted

³⁾ active if AO1, 2 or 3 is/ are programmed as alarm output



The alarm output can be configured as a threshold between **0-4 mA** for **no alarm** and between **10-20 mA** as **alarm**. For values outside the respective range, the relay does not switch on the DO.

The process interface has an integrated fail-safe mode. This allows to control conditions like interruption of cables, shut-down of the software etc. and to give out these conditions as an alarm. The time constant of the fail-safe is 1.5 seconds.

Controlled conditions on camera and software	Standard Process interface ACPIPIF	Industrial Process interface ACPIPIFMACBxx
Interruption USB cable to camera	✓	✓
Interruption data cable camera - PIF	✓	✓
Interruption power supply PIF	✓	✓
Shut-down of PIX Connect software	✓	✓
Crash of PIX Connect software	-	✓
Fail-Safe-Output	0 V at analog output (AO)	open contact (fail-safe relay)/ green LED off

4.2 Example for a Fail-Safe monitoring of the Xi with a PLC

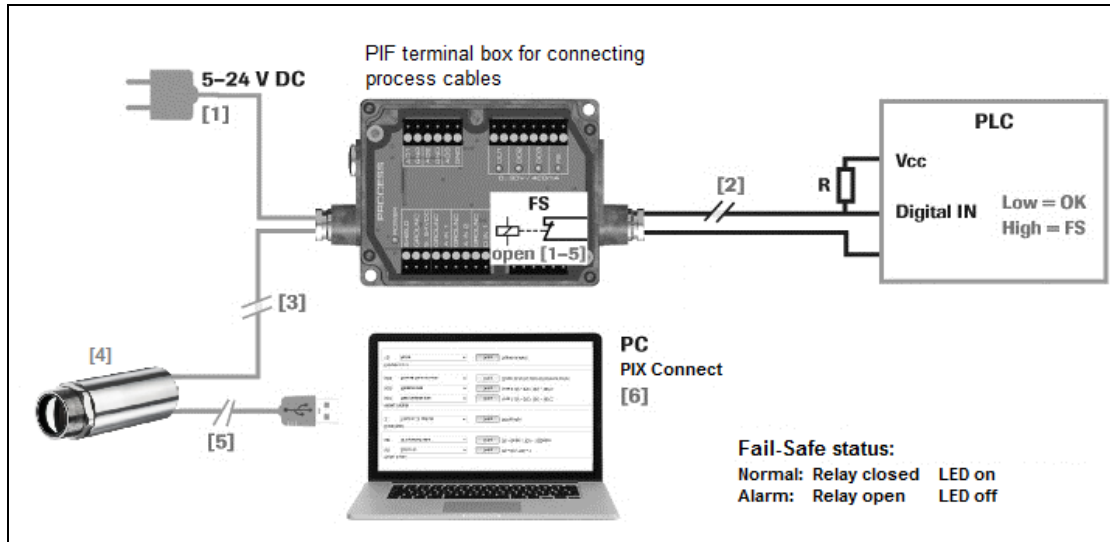


Figure 32: Fail-Safe monitoring states

Fail-Safe monitoring states

- | | | | |
|-----|--------------------------------|-----|---|
| [1] | Breakdown of PIF power supply | [4] | Malfunction of Xi |
| [2] | Cable break of fail-safe cable | [5] | Breakdown of Xi power supply/ Interruption of USB cable |
| [3] | Interruption of cable Xi-PIF | [6] | Malfunction of PIX Connect software |

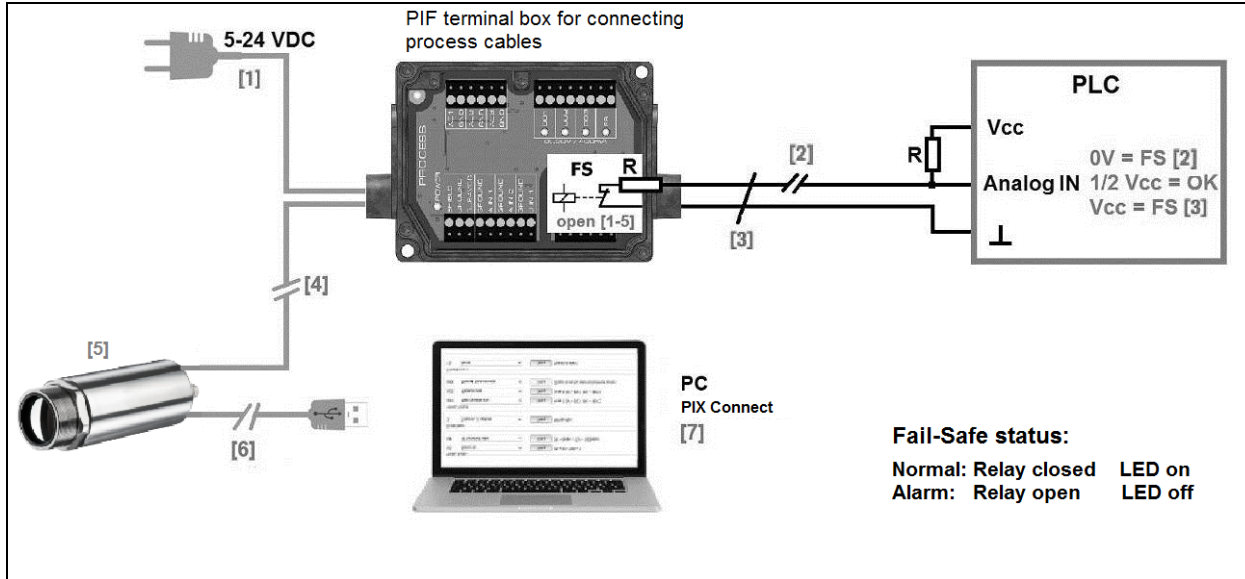


Figure 33: Fail-Safe monitoring states

Fail-Safe monitoring states

- | | | | |
|-----|----------------------------------|-----|---|
| [1] | Breakdown of PIF power supply | [5] | Malfunction of Xi |
| [2] | Cable break of fail-safe cable | [6] | Breakdown of Xi power supply/ Interruption of USB cable |
| [3] | Short circuit of fail-safe cable | [7] | Malfunction of PIX Connect software |
| [4] | Interruption of cable Xi-PIF | | |

4.3 USB cable extension for Xi 400

The maximum USB cable length is 20 m. For greater distances between Xi 400 and computer or for stand-alone solutions the optional USB Server Gigabit (**Part No.: ACPIUSBSGB**) is provided:

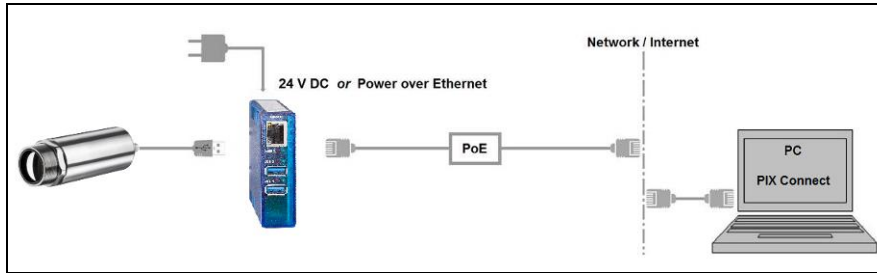


Figure 34: USB Server Gigabit

5 Functions

5.1 Ethernet Xi 80/410

The Xi 80/410 has a direct Ethernet interface. The advantage is cable lengths of up to 100 m. For example, a switch can be used to extend the distances. The associated Ethernet cable (**Order No.: ACXIETCBx**) must be ordered separately. Ethernet is supported from software version Rel. 3.2.3020.0 and firmware 3008.

Using the Ethernet connection, the device must be supplied with power. This can be done either via:

- the internal PIF cable via the terminal block (5-30 V)
- the stackable PIF (5-24 V, **Order No.: ACXIPIFCBx**)
- PoE (Power over Ethernet)



For the PoE variant, a PoE adapter (**Order No.: ACXIETPOECB1**) and a PoE injector (**Order No.: ACPIPOE**) or PoE switch (e.g. Netgear GS510TLP) are also required.

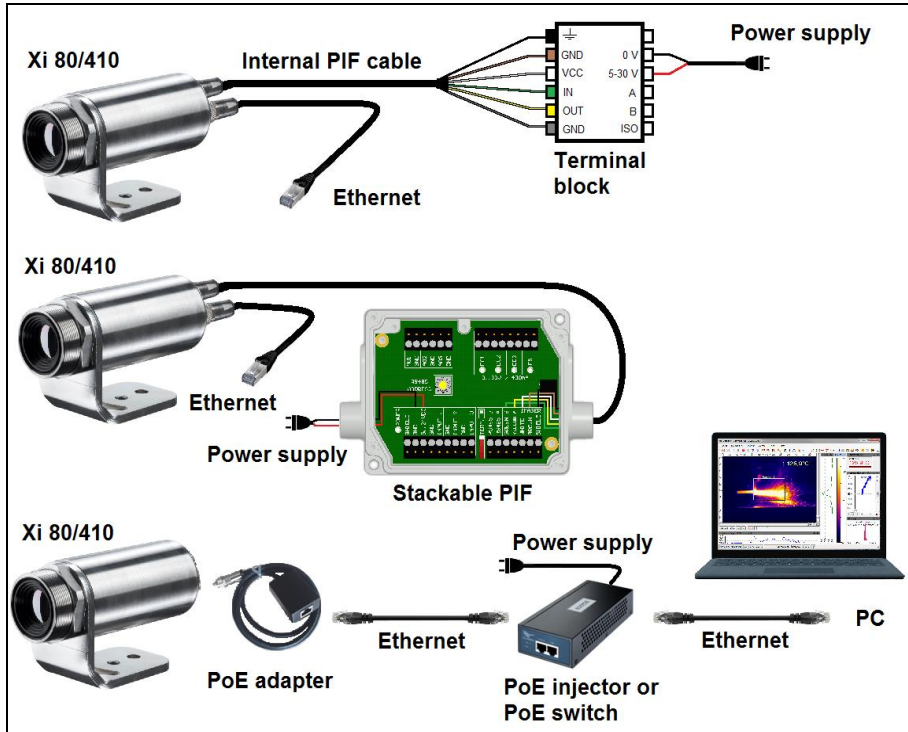


Figure 35: Possibilities of power supply for Xi 80/410 via Ethernet connection

5.1.1 Ethernet setup (Point-to-Point-Connection)

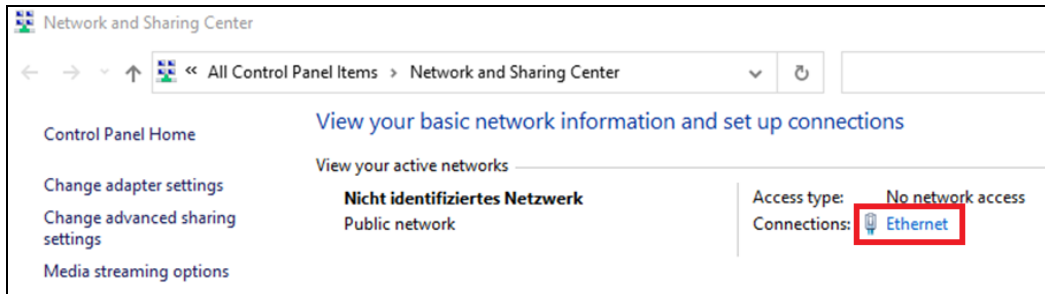
After connecting the Ethernet cable to the camera and the PC, the first thing you need to do is to make the network settings on the PC.

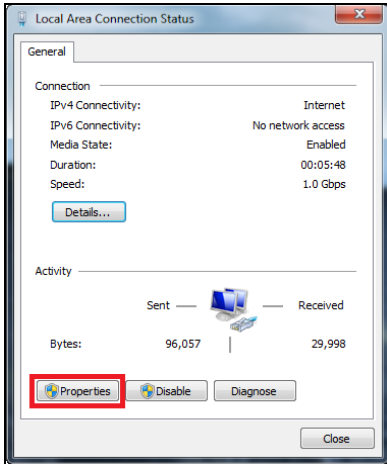
The devices are delivered with the following factory settings:



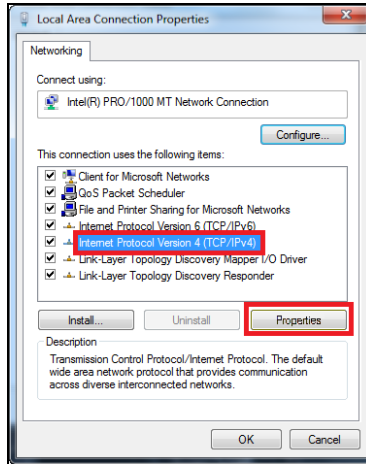
- **IP address camera: 192.168.0.101**
- **IP address PC: 192.168.0.100**
- **Port number: 50101**

To do this, go to **Control Panel** and open the **Network and Sharing Center**. Go on **LAN connection**.

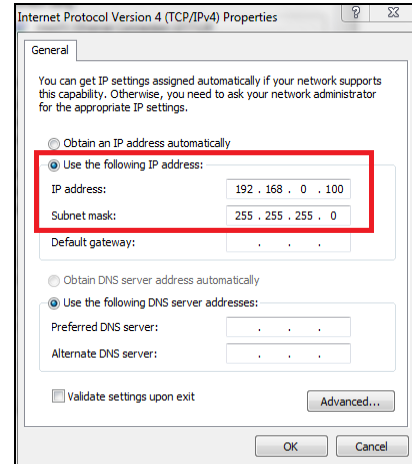




Click on **Properties**.



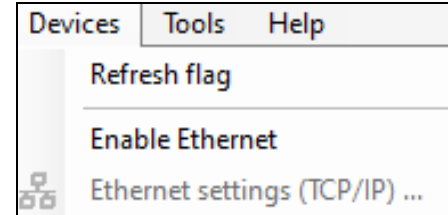
Mark **Internet protocol Version 4 (TCP/IPv4)** and go to **Properties** again



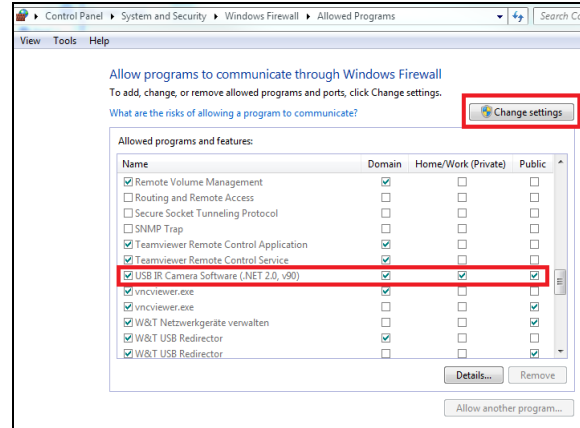
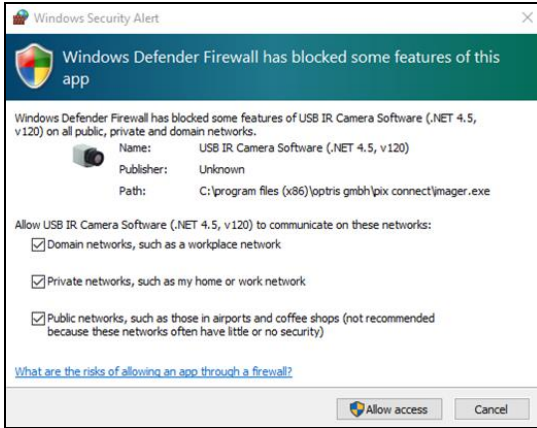
In the register card **General** enable the checkbox **Use the following IP address**. Now enter a user defined IP address for your PC (192.168.0.100). This must be identical to the address set in the PIX Connect software.

Then close all windows with OK. The network settings on the PC are complete.

Now start the PIX Connect software and activate the Ethernet function. To do this, go to the menu **Devices** and **Enable Ethernet**.

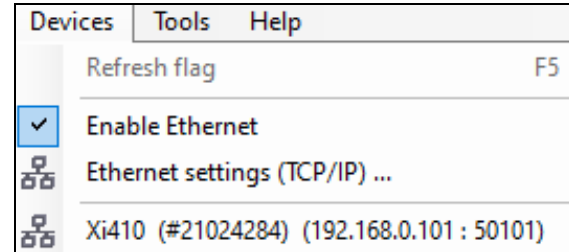


When a Windows Firewall window appears make sure to select allow all three network parts (domain, private, public) in order to allow the communication with the device.

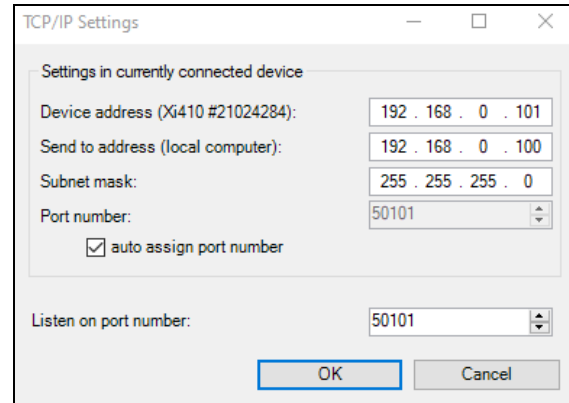


The approval of programs can also be activated afterwards in the Windows Firewall settings of the PC (under *Windows Firewall* and *Allow a program or feature through Windows Firewall*).

The device is now ready for the Ethernet connection and is listed in the menu under **Devices**. The camera is identified by a network icon and the network address and port number. Select the device. A connection to the device is established and the temperature measurement can begin.



To change the address settings, go to **Devices** and **Ethernet settings (TCP/IP)**. The address for the device is assigned under **Device address**. This must have a different address (last block) to the other participant (e.g., PC) (**Send to address (local computer)**). It is important that the network part (first three blocks) must be identical for both addresses. The address range of the individual blocks can be between 0 and 255.



Additionally, a separate **port number** must be configured. The selected number can be between 1 and 65535.

If several cameras with different port numbers are connected and a specific camera is to be communicated with, the corresponding camera can be determined via **Listen on port number**.



The port range used should be between **49152 ... 65535**. When using other ports, it could be that they are already reserved or assigned.



When using multiple Xi 80/410 cameras in a network, the data rate must be considered:

- Switch with 100 Mbps: approx. 17 devices (Xi 80), approx. 2 devices (Xi 410 with 25 Hz)
- Switch with 1000 Mbps: approx. 170 devices (Xi 80), approx. 26 devices (Xi 410 with 25 Hz)

In addition to the data rate also make sure the power performance of the PC is high enough. Each device used requires its own instance.

5.2 Autonomous operation Xi 80/410

A special feature of the Xi 80/410 is the autonomous operation. There is no need for a permanent connection to the PIX Connect software. Only a few settings must be set in advance in the software.

To do this, connect the PIF and Ethernet or USB cables to the device. Then connect the Xi to your PC and start the PIX Connect software (see **7 Software PIX Connect**).

Position and focus (see **2.4 Optical specifications**) the camera so that your object to be measured is perfectly visible in the image. First define the desired measurement area with the corresponding mode you want to output.

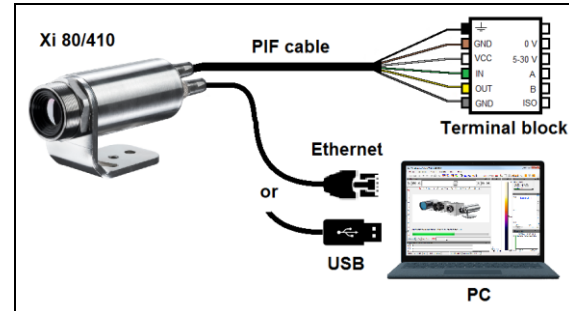


Figure 36: Connection Xi 80/410 to PC via Ethernet/USB

Now go to the configuration menu on **Device (PIF)**. There you first select the **PIF type** (in this case: **Internal PIF**). Then select under **Analog Outputs (AO)** the function that is to be output autonomously. Then press **Setup**, make your settings, and make sure that the checkbox is set to **using autonomously by device**. By pressing the **OK** button an @ sign can be found in the configuration menu Devices (PIF), which indicates the autonomous operation.

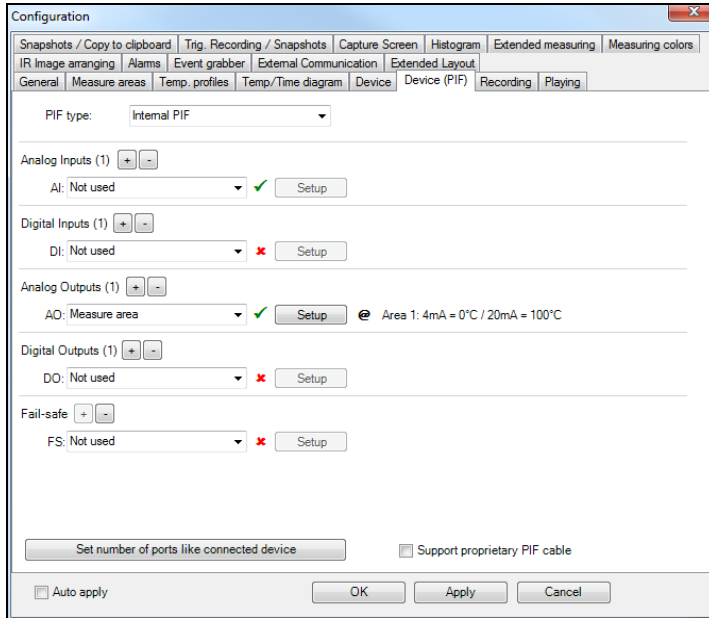


Figure 37: Configurations menu Device (PIF)

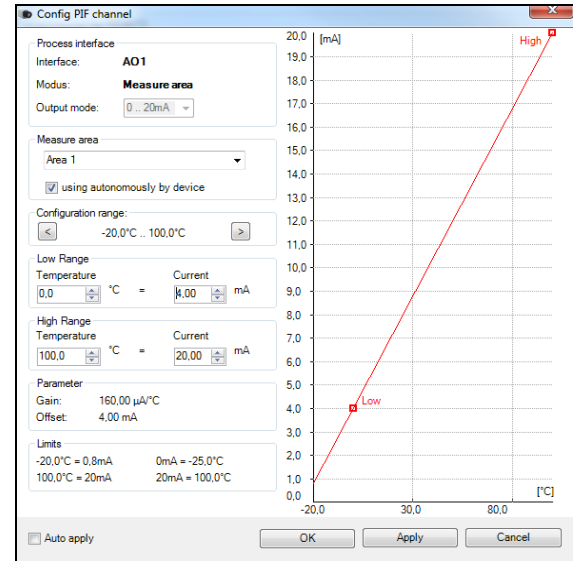


Figure 38: Setup

Only for Xi 410

When using the Xi 410 camera, an important additional setting must be made for autonomous operation. When all the configurations have been made, it is important to write them to the device. This is done in the menu under *Devices* and *Set configuration to device*.

If the device is reconnected to a PC after autonomous operation and the settings are to be transferred from the device to the software, this is done in the menu under *Devices* and *Get configuration from device*.

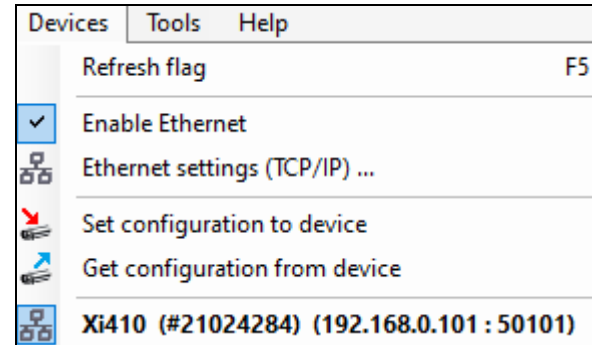


Figure 39: Set configuration to device



An arrow marked in red means that the configuration is different between the camera and the software. As soon as the configuration is loaded into the device, the arrow appears blue .

In general, these are all the settings that must be set in the PIX Connect software in order to operate the device autonomously. You can now close the software and then disconnect the Ethernet or USB cable. To start the device autonomously, a 5-30 V power supply must be connected to the terminal block. Now the used input/output must be connected. The resulting value can be displayed for example on a multimeter (see **Figure 40**).

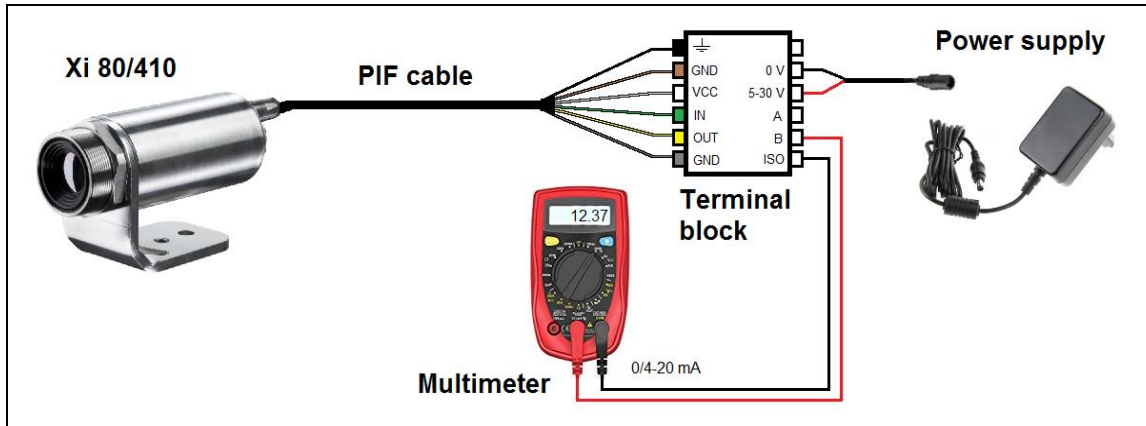


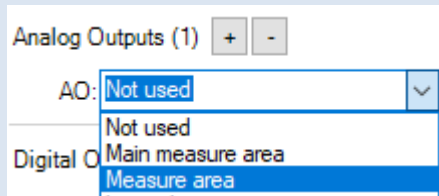
Figure 40: Electrical installation for autonomous operation Xi 80/410

- Autonomous operation also works via the industrial/stackable PIF of the Xi 80. The device is powered by the power supply of the PIF.
- Up to **9 measure areas** (for Xi 80 with firmware 3013 or higher) and up to 3 measure areas (Xi 410) can be output autonomously. The use of three stackable PIFs is required. Three analog outputs are possible per stackable PIF. The response time is 20 ms for Xi 80 and 640 ms for Xi 410.

Note: Several measuring areas can be combined into one measuring area via a so-called super area.



- Autonomous mode cannot be set using the *Main measure area* function (configuration menu-Device (PIF)). To output a measure area autonomously, the function *Measure area* must be used.



5.2.1 Hot- / Coldspot function in autonomous operation

The setting for a hot- or coldspot in autonomous mode differs from the general procedure. Marking a measure area as hot- or coldspot does not work. Instead, a **user defined rectangle** must be selected under the tab **measure areas** of the configuration dialog. In addition, under **Mode**, you must set whether the **maximum** (for hotspot) or **minimum** (for coldspot) should be output.

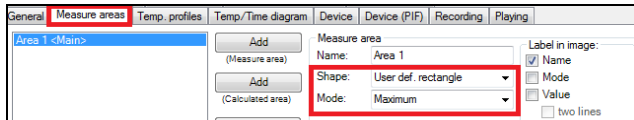


Figure 41: Setting a hotspot for autonomous operation

For a hot- or coldspot output in the full field of view of the camera, the user defined rectangle must also fill out this size.

Note: Predefined Layout in the software available under Tools and Layouts: **Xi 80 Hot spot autonomous** or **Xi 410 Hot spot autonomous**.

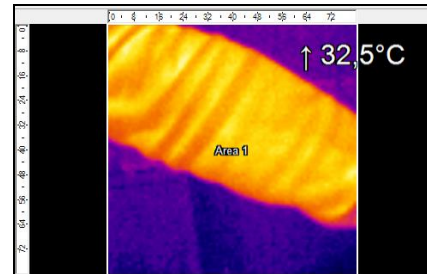


Figure 42: Measure area over entire field of view

5.3 Use of Shutter

The shutter system is supplied with a control box (for pin assignment, see also **Figure 16**). The servo motor of the shutter is connected to this control box. There are several ways to operate the control box. For all listed options, an input signal (IN 1) must be connected. This input signal can, for example, come from a PLC, a light barrier or a sensor. This signal opens and closes the shutter. A second input signal (IN 3) can be used to realize a fast-closing mode. The closing time in this mode is only 100 ms.

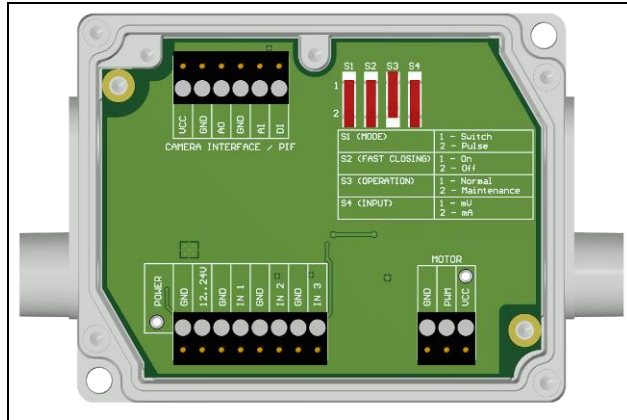


Figure 43: Control box Shutter

By using the process interface (PIF), the input signal to the software can be passed on and used as a trigger signal in the software. For example, an automatic recording can take place when the shutter is opened.

The process interface cable supplied with the cameras can be connected directly to the control box (upper terminal block: CAMERA INTERFACE / PIF). Alternatively, the separately obtained industrial or stackable PIF can also be connected to the control box (if several outputs and inputs are used). In this case, the outputs and inputs used (e.g. AO from control box with AO from PIF) must be connected with each other.



When using more than one shutter and the opening / closing of the shutter should be simultaneously, the switch S4 on one control box must be set to mA and the others to mV (see Figure 43).

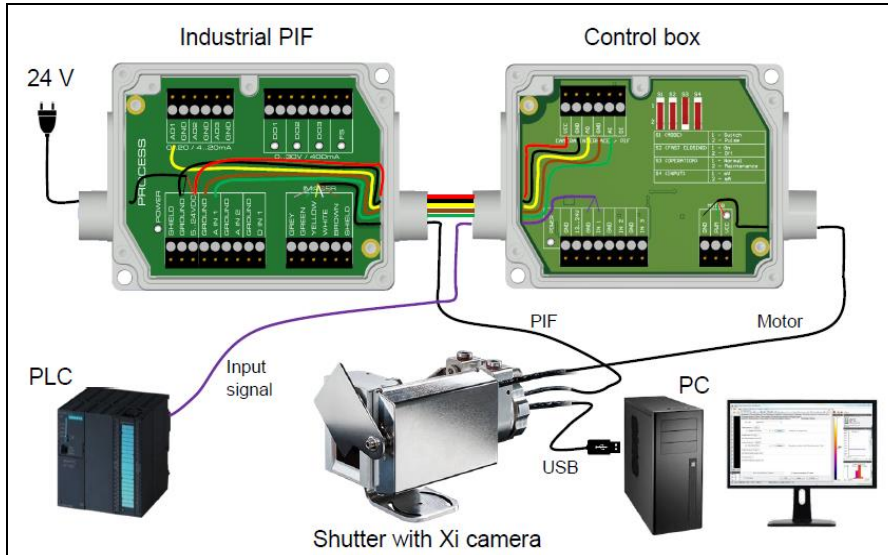


Figure 44: Connection of control box, shutter and industrial PIF

5.3.1 Settings in PIX Connect Software

After the hardware installation (connection control box shutter and PIF) the following settings can be made in the software:

- **Automatic Recording:** By opening the shutter through input signal IN 1, an automatic recording can be started. For this, the AI must be configured to *Triggered Recording* in the software in the configuration menu *Device (PIF)*.



- **Close shutter after recording/line scan:** When the recording is finished, the shutter can be closed by an analog signal. To do this, in the software in the configuration menu *Device (PIF)* of the AO must be configured for *Recording Status*. If the shutter is to be closed after a line scan, *Line scan status* must be selected.



6 IRmobile App

The imagers have a direct connection to an Android smartphone or tablet. All you must do is download the IRmobile app for free in the Google Play Store. This can also be done via the QR code. An IRmobile app connector is recommended for connection to the device (Xi 80/410: **Part-No.: ACXI80IACM** (micro-USB) or **ACXI80IACC** (USB-C), Xi 400: **Part-No.: ACPIIACM** (micro-USB) or **ACPIIACC** (USB-C)).



With IRmobile you can monitor and analyze your infrared temperature measurement directly on a connected smartphone or tablet. All you need is an Optris infrared camera. This app runs on most Android (5 or higher) devices with a micro-USB port or USB-C port that supports USB OTG (On The Go). The app is easy to use:

After you have connected your camera to the micro-USB port or USB-C port of your smartphone or tablet, the app launches automatically. The calibration files are automatically downloaded from the internet. The device is powered by your smartphone. A hotspot indicates the hottest pixel in the image and a coldspot the coldest pixel in the image.

IRmobile app features:

- Live infrared image with automatic hot-/ and coldspot search
- Changing the color palette, scaling and temperature range
- Change of temperature unit: Celsius or Fahrenheit
- Setting of temperature range scaling (Manual, Min/Max, 3 sigma)
- Creating a snapshot
- Integrated simulator

IRmobile supported for:

- Optris IR cameras: Xi and PI series
- Optris pyrometers: Compact series, high performance series and video thermometers
- For Android 5 (or higher) devices with a micro-USB port or USB C port that supports USB OTG (On The Go)



7 Software PIX Connect

Minimum system requirements:



- Windows 7, Windows 8, Windows 10
- USB interface
- Hard disc with at least 30 MByte of free space
- At least 128 MByte RAM



A detailed description is provided in the software manual on the USB stick. See also **Help** menu in the PIX Connect software (**Help** → **Documentation**).



Alternatively, the software can also be downloaded via the Optris website under the following link: <https://www.optris.global/pix>

7.1 Installation and initial start-up



- All drivers are booted via Windows OS automatically. A driver installation is not necessary.
- By default, the program starts automatically in the installed language.

1. Insert the included USB stick into the according port on your computer.
2. Please start **Setup.exe**. Follow the instructions of the wizard until the installation is finished.

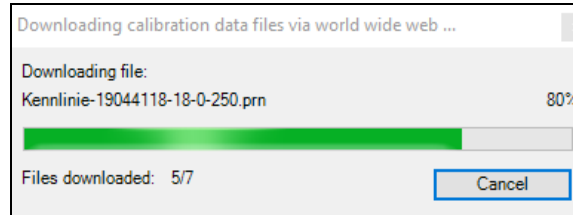
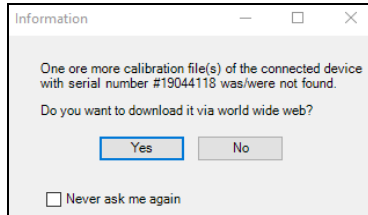
The installation wizard places a launch icon on the desktop and in the start menu:

Start\Programs\Optris GmbH\PIX Connect


3. To connect the camera to the PC, plug the USB cable to the camera first. Afterwards connect it with the PC (to disconnect the camera and the computer remove the USB cable from the computer first and then disconnect it from the camera).
4. Start the software.

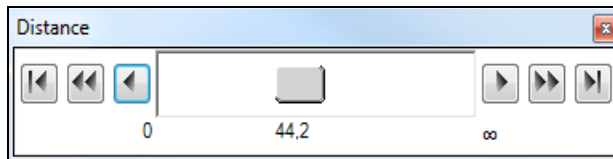
At the initial start the software asks for the calibrations files which are available via internet or on the USB stick (only for Xi 400). With the Xi 80/410, the calibration files are already included in the device.

5. Install the calibration files at first start of the software (only necessary for Xi 400).



After the calibration files have been installed the live image from the camera is shown inside a window on your PC screen.

6. Choose the desired language in the menu **Tools** → **Language**.
7. Adjust the focus of the image by using the distance function in the software (Menu **View/ Windows/ Distance** or over the icon ):



7.2 Software window

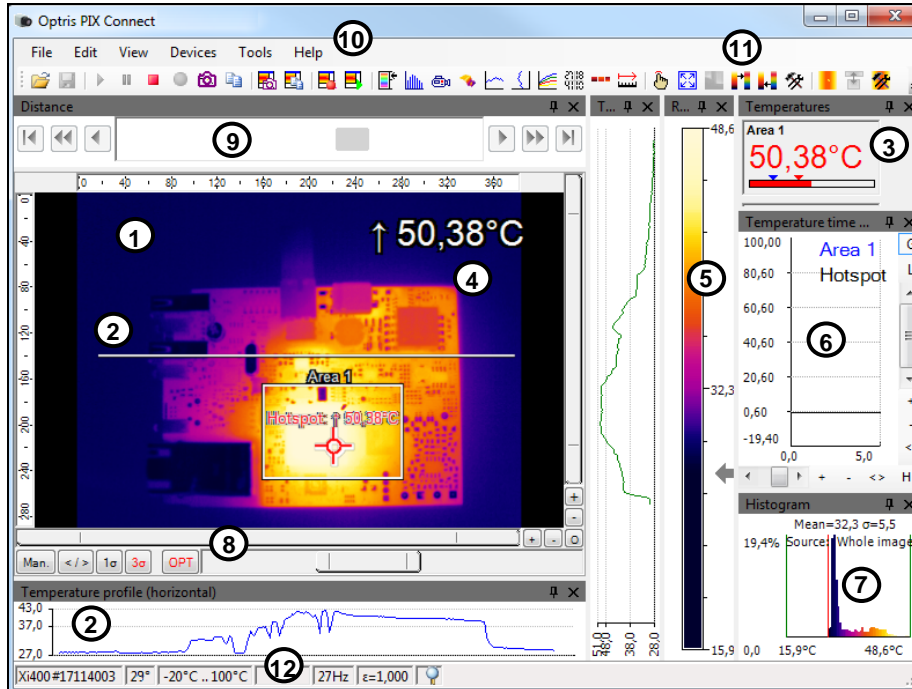


Figure 45: Software window

- 1 IR image from the camera
- 2 Temperature profile: Shows the temperatures along max. 2 lines at any size and position in the image.
- 3 Control displays: Displays all temperature values in the defined measure areas like Cold Spots, Hot Spots, temperature at cursor, internal temperature and chip temperature.

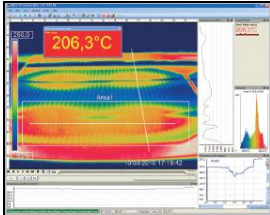
Alarm settings: Bar showing the defined temperature thresholds for low alarm value (blue arrow) and high alarm value (red arrow). The color of numbers within control displays changes to **red** (when temp. above the high alarm value) and to **blue** (when temp. below the low alarm value).
- 4 Temperature of measure area: Analyses the temperature according to the selected shape, e.g. average temperature of the rectangle. The value is shown inside the IR image and the control displays.
- 5 Reference bar: Shows the scaling of temperature within the color palette.
- 6 Temperature time diagram: Shows the temperature curves over time for selectable region of interest (ROI)
- 7 Histogram: Shows the statistic distribution of single temperature values.
- 8 Automatic / manual scaling of the palette (displayed temperature range): Man., </> (min, max), 1σ : 1 Sigma, 3σ : 3 Sigma, OPT: Palette optimization
- 9 Distance function: Adjustment of the motor focus to focus the IR picture
- 10 Menu and Toolbar (Icons)
- 11 Icon enabling switching between color palettes
- 12 Status bar: Serial number, optic, temperature range, cursor position, device framerate/ display framerate, emissivity, ambient temperature, flag status

7.3 Basis features of the software PIX Connect



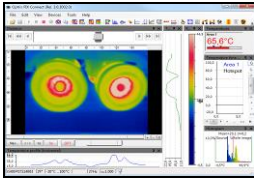
Extensive infrared camera software

- No restrictions in licensing
- Modern software with intuitive user interface
- Remote control of camera via software
- Display of multiple camera images in different windows
- Compatible with Windows 7, 8 and 10



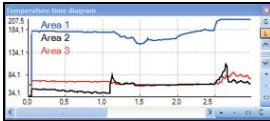
High level of individualization for customer specific display

- Various language option including a translation tool
- Temperature display in °C or °F
- Different layout options for an individual setup (arrangement of windows, toolbar)
- Range of individual measurement parameter fitting for each application
- Adaption of thermal image (mirror, rotate)
- Individual start options (full screen, hidden, etc.)



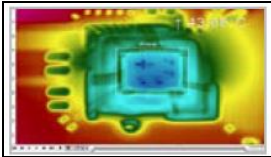
Video recording and snapshot function (IR)

- Recording of video sequences and detailed frames for further analysis or documentation
- Adjustment of recording frequency to reduce data volume
- Display of snapshot history for immediate analysis



Extensive online and offline data analysis

- Analysis supported by measurement fields, hot and cold spot searching, image subtraction
- Real time temperature information within main window as digital or graphic display (line profile, temperature time diagram)
- Slow motion repeat of radiometric files and analysis without camera being connected
- Editing of sequences such as cutting and saving of individual images
- Various color palettes to highlight thermal contrasts



Automatic process control

- Individual setup of alarm levels depending on the process
- Definition of visual or acoustic alarms and analog data output
- Analog and digital signal input (process parameter)
- External communication of software via COM-Ports and DLL
- Adjustment of thermal image via reference values

1	2	3	4	5	6	7	8	9	10	11	12	13	14	15	16	17	18	19	20
139.2	139.1	139.2	139.4	139.3	139.0	139.0	139.2	139.2	139.0	139.0	139.0	139.0	139.1	139.1	139.1	139.1	139.1	139.1	139.1
138.8	139.4	139.8	139.8	139.8	139.8	139.2	139.2	139.2	139.2	139.2	139.2	139.2	139.2	139.2	139.2	139.2	139.2	139.2	139.2
139.2	139.1	139.1	139.1	139.1	139.1	139.1	139.1	139.1	139.1	139.1	139.1	139.1	139.1	139.1	139.1	139.1	139.1	139.1	139.1
139.2	139.2	139.2	139.2	139.2	139.2	139.2	139.2	139.2	139.2	139.2	139.2	139.2	139.2	139.2	139.2	139.2	139.2	139.2	139.2
139.2	139.2	139.2	139.2	139.2	139.2	139.2	139.2	139.2	139.2	139.2	139.2	139.2	139.2	139.2	139.2	139.2	139.2	139.2	139.2
139.2	139.2	139.2	139.2	139.2	139.2	139.2	139.2	139.2	139.2	139.2	139.2	139.2	139.2	139.2	139.2	139.2	139.2	139.2	139.2
139.2	139.2	139.2	139.2	139.2	139.2	139.2	139.2	139.2	139.2	139.2	139.2	139.2	139.2	139.2	139.2	139.2	139.2	139.2	139.2
139.2	139.2	139.2	139.2	139.2	139.2	139.2	139.2	139.2	139.2	139.2	139.2	139.2	139.2	139.2	139.2	139.2	139.2	139.2	139.2
139.2	139.2	139.2	139.2	139.2	139.2	139.2	139.2	139.2	139.2	139.2	139.2	139.2	139.2	139.2	139.2	139.2	139.2	139.2	139.2
139.2	139.2	139.2	139.2	139.2	139.2	139.2	139.2	139.2	139.2	139.2	139.2	139.2	139.2	139.2	139.2	139.2	139.2	139.2	139.2
139.2	139.2	139.2	139.2	139.2	139.2	139.2	139.2	139.2	139.2	139.2	139.2	139.2	139.2	139.2	139.2	139.2	139.2	139.2	139.2
139.2	139.2	139.2	139.2	139.2	139.2	139.2	139.2	139.2	139.2	139.2	139.2	139.2	139.2	139.2	139.2	139.2	139.2	139.2	139.2
139.2	139.2	139.2	139.2	139.2	139.2	139.2	139.2	139.2	139.2	139.2	139.2	139.2	139.2	139.2	139.2	139.2	139.2	139.2	139.2
139.2	139.2	139.2	139.2	139.2	139.2	139.2	139.2	139.2	139.2	139.2	139.2	139.2	139.2	139.2	139.2	139.2	139.2	139.2	139.2
139.2	139.2	139.2	139.2	139.2	139.2	139.2	139.2	139.2	139.2	139.2	139.2	139.2	139.2	139.2	139.2	139.2	139.2	139.2	139.2
139.2	139.2	139.2	139.2	139.2	139.2	139.2	139.2	139.2	139.2	139.2	139.2	139.2	139.2	139.2	139.2	139.2	139.2	139.2	139.2
139.2	139.2	139.2	139.2	139.2	139.2	139.2	139.2	139.2	139.2	139.2	139.2	139.2	139.2	139.2	139.2	139.2	139.2	139.2	139.2
139.2	139.2	139.2	139.2	139.2	139.2	139.2	139.2	139.2	139.2	139.2	139.2	139.2	139.2	139.2	139.2	139.2	139.2	139.2	139.2
139.2	139.2	139.2	139.2	139.2	139.2	139.2	139.2	139.2	139.2	139.2	139.2	139.2	139.2	139.2	139.2	139.2	139.2	139.2	139.2
139.2	139.2	139.2	139.2	139.2	139.2	139.2	139.2	139.2	139.2	139.2	139.2	139.2	139.2	139.2	139.2	139.2	139.2	139.2	139.2
139.2	139.2	139.2	139.2	139.2	139.2	139.2	139.2	139.2	139.2	139.2	139.2	139.2	139.2	139.2	139.2	139.2	139.2	139.2	139.2
139.2	139.2	139.2	139.2	139.2	139.2	139.2	139.2	139.2	139.2	139.2	139.2	139.2	139.2	139.2	139.2	139.2	139.2	139.2	139.2
139.2	139.2	139.2	139.2	139.2	139.2	139.2	139.2	139.2	139.2	139.2	139.2	139.2	139.2	139.2	139.2	139.2	139.2	139.2	139.2
139.2	139.2	139.2	139.2	139.2	139.2	139.2	139.2	139.2	139.2	139.2	139.2	139.2	139.2	139.2	139.2	139.2	139.2	139.2	139.2
139.2	139.2	139.2	139.2	139.2	139.2	139.2	139.2	139.2	139.2	139.2	139.2	139.2	139.2	139.2	139.2	139.2	139.2	139.2	139.2
139.2	139.2	139.2	139.2	139.2	139.2	139.2	139.2	139.2	139.2	139.2	139.2	139.2	139.2	139.2	139.2	139.2	139.2	139.2	139.2

Temperature data analysis and documentation

- Triggered data collection
- Radiometric video sequences (*.ravi) radiometric snapshots (*.tiff)
- Text files including temp. information for analysis in Excel (*.csv, *.dat)
- Data with color information for standard programs such as Photoshop or Windows Media Player (*.avi, *.tiff)
- Data transfer in real time to other software programs DLL or COM-Port interfaces

8 Basics of Infrared Thermometry

Depending on the temperature each object emits a certain amount of infrared radiation. A change in the temperature of the object is accompanied by a change in the intensity of the radiation.

Searching for new optical material William Herschel by chance found the infrared radiation in 1800.

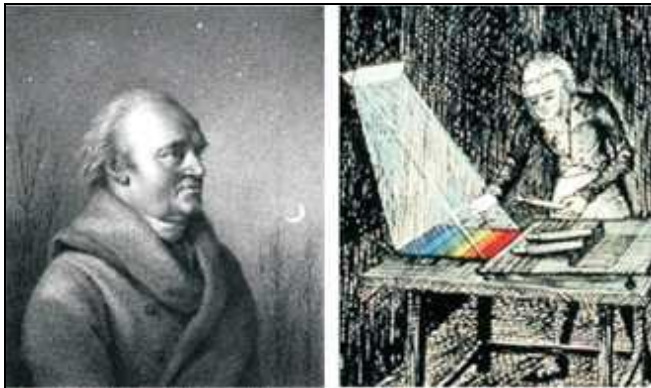


Figure 46: William Herschel (1738-1822)

He blackened the peak of a sensitive mercury thermometer. This thermometer, a glass prism that led sun rays onto a table made his measuring arrangement. With this, he tested the heating of different colors of the spectrum. Slowly moving the peak of the blackened thermometer through the colors of the spectrum, he

noticed the increasing temperature from violet to red. The temperature rose even more in the area behind the red end of the spectrum. Finally he found the maximum temperature far behind the red area.

Nowadays this area is called “infrared wavelength area”.

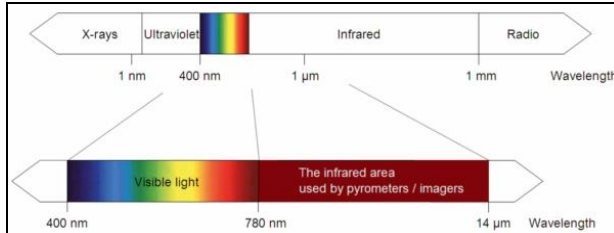


Figure 47: The electromagnetic spectrum and the area used for temperature measurement

For the measurement of “thermal radiation” infrared thermometry uses a wave-length ranging between $1\ \mu\text{m}$ and $20\ \mu\text{m}$. The intensity of the emitted radiation depends on the material. This material contingent constant is described with the help of the emissivity which is a known value for most materials (► **9 Emissivity**).

Infrared thermometers are optoelectronic sensors. They calculate the surface temperature based on the emitted infrared radiation from an object. The most important feature of infrared thermometers is that they enable the user to measure objects contactless. Consequently, these products help to measure the temperature of inaccessible or moving objects without difficulties.

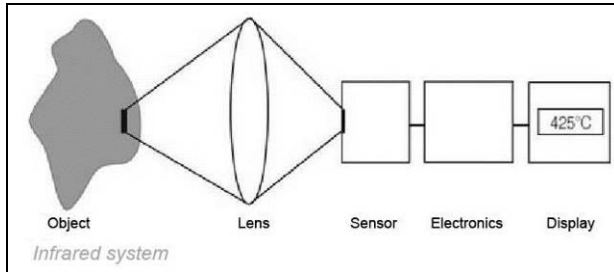


Figure 48: Main principle of non-contact thermometry

Infrared thermometers basically consist of the following components:

- Lens
- Spectral filter
- Detector
- Electronics (amplifier/ linearization/ signal processing)

The specifications of the lens decisively determine the optical path of the infrared thermometer, which is characterized by the ratio Distance to Spot size. The spectral filter selects the wavelength range, which is relevant for the temperature measurement. The detector in cooperation with the processing electronics transforms the emitted infrared radiation into electrical signals.

The advantages of non-contact thermometry are clear - it supports:

- temperature measurements of moving or overheated objects and of objects in hazardous surroundings
- very fast response and exposure times
- measurement without inter-reaction, no influence on the measuring object
- non-destructive measurement
- long lasting measurement, no mechanical wear

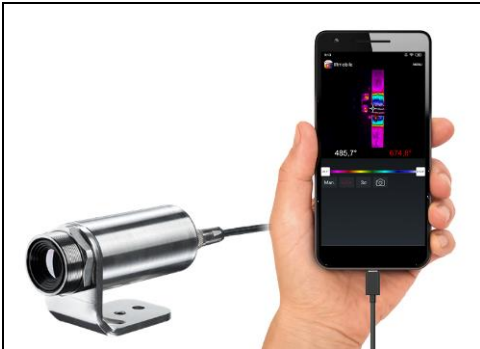
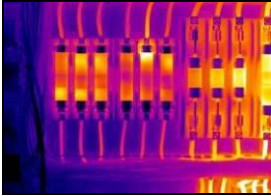
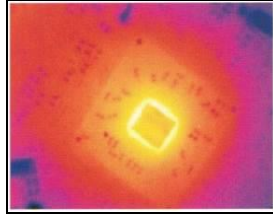


Figure 49: Non-contact thermometry

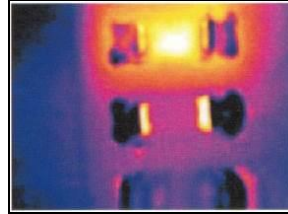
Application field:



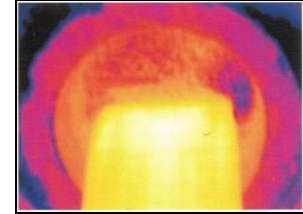
Monitoring of electronic cabinets



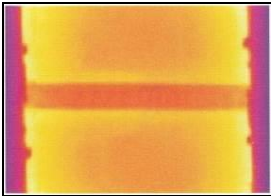
R&D of electronics



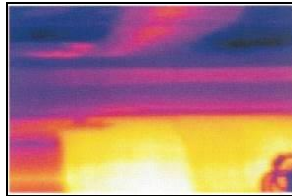
R&D of electronic parts



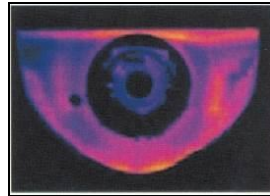
Process control extruding plastic parts



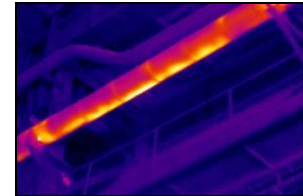
Process control manufacturing solar modules



Process control at calendering



R&D of mechanical parts

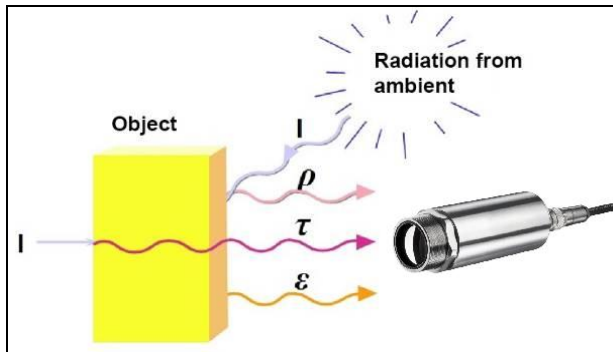


Monitoring of cables

9 Emissivity

9.1 Definition

The intensity of infrared radiation, which is emitted by each body, depends on the temperature as well as on the radiation features of the surface material of the measuring object. The emissivity (ϵ – Epsilon) is used as a material constant factor to describe the ability of the body to emit infrared energy. It can range between 0 and 100 %. A “blackbody” is the ideal radiation source with an emissivity of 1.0 whereas a mirror shows an emissivity of 0.1.



I IR radiation

ϵ Emission

ρ Reflection

τ Transmission

$$\epsilon + \rho + \tau = 1$$

Figure 50: Composition of IR radiation

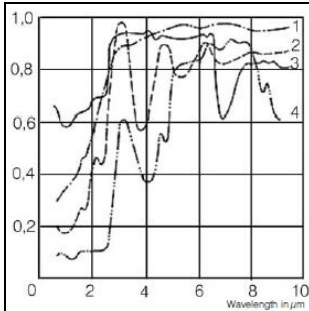


Figure 51: Spectral emissivity of several materials: **1** Enamel, **2** Plaster, **3** Concrete, **4** Chamotte

If the emissivity chosen is too high, the infrared thermometer may display a temperature value which is much lower than the real temperature – assuming the measuring object is warmer than its surroundings. A low emissivity (reflective surfaces) carries the risk of inaccurate measuring results by interfering infrared radiation emitted by background objects (flames, heating systems, chamottes). To minimize measuring errors in such cases, the handling should be performed very carefully, and the unit should be protected against reflecting radiation sources.

9.2 Determination of unknown emissivity

- ▶ First determine the actual temperature of the measuring object with a thermocouple or contact sensor. Second, measure the temperature with the infrared thermometer and modify the emissivity until the displayed result corresponds to the actual temperature.
- ▶ If you monitor temperatures of up to 380 °C you may place a special plastic sticker (emissivity dots – **Part No.: ACLSED**) onto the measuring object, which covers it completely.

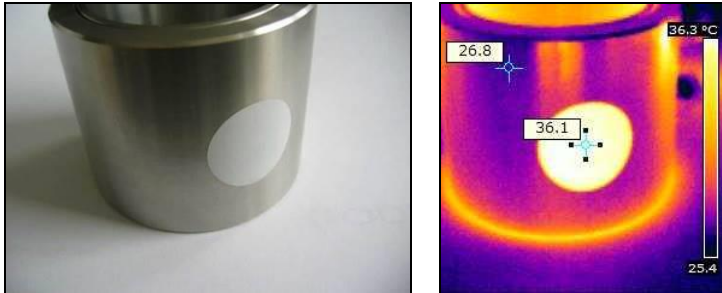


Figure 52: Plastic sticker at metal surface

Set the emissivity to 0.95 and take the temperature of the sticker. Afterwards, determine the temperature of the adjacent area on the measuring object and adjust the emissivity according to the value of the temperature of the sticker.

- ▶ Cover a part of the surface of the measuring object with a black, flat paint with an emissivity of 0.98. Adjust the emissivity of your infrared thermometer to 0.98 and take the temperature of the colored surface. Afterwards, determine the temperature of a directly adjacent area and modify the emissivity until the measured value corresponds to the temperature of the colored surface.



Figure 53: Shiny metal surface **left** and blackened metal surface **right**

CAUTION: On all three methods the object temperature must be different from ambient temperature.

9.3 Characteristic emissivity

In case none of the methods mentioned above help to determine the emissivity you may use the emissivity table ► **Appendix A** and **Appendix B**. These are average values, only. The actual emissivity of a material depends on the following factors:

- temperature
- measuring angle
- geometry of the surface
- thickness of the material
- constitution of the surface (polished, oxidized, rough, sandblast)
- spectral range of the measurement
- transmissivity (e.g. with thin films)

Fixed radiometric values

Emissivity:	<input type="text" value="1,000"/>
Transmissivity: (IR-window compensation)	<input type="text" value="1,000"/>
Ambient temperature:	<input type="checkbox"/> <input type="text" value="23,0"/> [°C]

Figure 54: Adjustment of the emissivity in the software PIX Connect (menu **Tools/ Configuration/ Device**)

Appendix A – Table of emissivity for metals

Material		typical Emissivity			
		1.0 μm	1.6 μm	5.1 μm	8-14 μm
Aluminium	non oxidized	0.1-0.2	0.02-0.2	0.02-0.2	0.02-0.1
	polished	0.1-0.2	0.02-0.1	0.02-0.1	0.02-0.1
	roughened	0.2-0.8	0.2-0.6	0.1-0.4	0.1-0.3
	oxidized	0.4	0.4	0.2-0.4	0.2-0.4
Brass	polished	0.35	0.01-0.05	0.01-0.05	0.01-0.05
	roughened	0.65	0.4	0.3	0.3
	oxidized	0.6	0.6	0.5	0.5
Copper	polished	0.05	0.03	0.03	0.03
	roughened	0.05-0.2	0.05-0.2	0.05-0.15	0.05-0.1
	oxidized	0.2-0.8	0.2-0.9	0.5-0.8	0.4-0.8
Chrome		0.4	0.4	0.03-0.3	0.02-0.2
Gold		0.3	0.01-0.1	0.01-0.1	0.01-0.1
Haynes	alloy	0.5-0.9	0.6-0.9	0.3-0.8	0.3-0.8
Inconel	electro polished	0.2-0.5	0.25	0.15	0.15
	sandblast	0.3-0.4	0.3-0.6	0.3-0.6	0.3-0.6
	oxidized	0.4-0.9	0.6-0.9	0.6-0.9	0.7-0.95
Iron	non oxidized	0.35	0.1-0.3	0.05-0.25	0.05-0.2
	rusted		0.6-0.9	0.5-0.8	0.5-0.7
	oxidized	0.7-0.9	0.5-0.9	0.6-0.9	0.5-0.9
	forged, blunt	0.9	0.9	0.9	0.9
	molten	0.35	0.4-0.6		
Iron, casted	non oxidized	0.35	0.3	0.25	0.2
	oxidized	0.9	0.7-0.9	0.65-0.95	0.6-0.95

Material		typical Emissivity			
		1.0 μm	1.6 μm	5.1 μm	8-14 μm
Lead	polished	0.35	0.05-0.2	0.05-0.2	0.05-0.1
	roughened	0.65	0.6	0.4	0.4
	oxidized		0.3-0.7	0.2-0.7	0.2-0.6
Magnesium		0.3-0.8	0.05-0.3	0.03-0.15	0.02-0.1
Mercury			0.05-0.15	0.05-0.15	0.05-0.15
Molybdenum	non oxidized	0.25-0.35	0.1-0.3	0.1-0.15	0.1
	oxidized	0.5-0.9	0.4-0.9	0.3-0.7	0.2-0.6
Monel (Ni-Cu)		0.3	0.2-0.6	0.1-0.5	0.1-0.14
Nickel	electrolytic	0.2-0.4	0.1-0.3	0.1-0.15	0.05-0.15
	oxidized	0.8-0.9	0.4-0.7	0.3-0.6	0.2-0.5
Platinum	black		0.95	0.9	0.9
Silver		0.04	0.02	0.02	0.02
Steel	polished plate	0.35	0.25	0.1	0.1
	rustless	0.35	0.2-0.9	0.15-0.8	0.1-0.8
	heavy plate			0.5-0.7	0.4-0.6
	cold-rolled	0.8-0.9	0.8-0.9	0.8-0.9	0.7-0.9
	oxidized	0.8-0.9	0.8-0.9	0.7-0.9	0.7-0.9
Tin	non oxidized	0.25	0.1-0.3	0.05	0.05
Titanium	polished	0.5-0.75	0.3-0.5	0.1-0.3	0.05-0.2
	oxidized		0.6-0.8	0.5-0.7	0.5-0.6
Wolfram	polished	0.35-0.4	0.1-0.3	0.05-0.25	0.03-0.1
Zinc	polished	0.5	0.05	0.03	0.02
	oxidized	0.6	0.15	0.1	0.1

Appendix B – Table of emissivity for non-metals

Material	typical Emissivity				
	Spectral response	1.0 μm	2.2 μm	5.1 μm	8-14 μm
Asbestos		0.9	0.8	0.9	0.95
Asphalt				0.95	0.95
Basalt				0.7	0.7
Carbon	non oxidized		0.8-0.9	0.8-0.9	0.8-0.9
	graphite		0.8-0.9	0.7-0.9	0.7-0.8
Carborundum			0.95	0.9	0.9
Ceramic		0.4	0.8-0.95	0.8-0.95	0.95
Concrete		0.65	0.9	0.9	0.95
Glass	plate		0.2	0.98	0.85
	melt		0.4-0.9	0.9	
Grit				0.95	0.95
Gypsum				0.4-0.97	0.8-0.95
Ice					0.98
Limestone				0.4-0.98	0.98
Paint	non alkaline				0.9-0.95
Paper	any color			0.95	0.95
Plastic >50 μm	non transparent			0.95	0.95
Rubber				0.9	0.95
Sand				0.9	0.9
Snow					0.9
Soil					0.9-0.98
Textiles				0.95	0.95
Water					0.93
Wood	natural			0.9-0.95	0.9-0.95

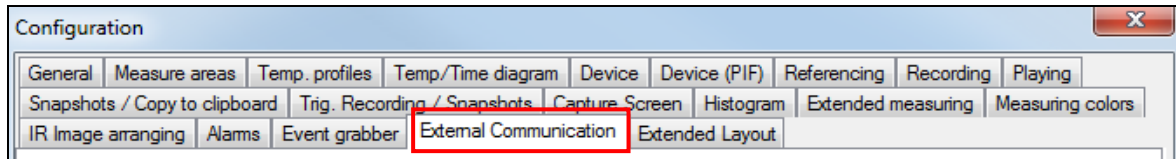
Appendix C – Quick start for serial communication

Introduction

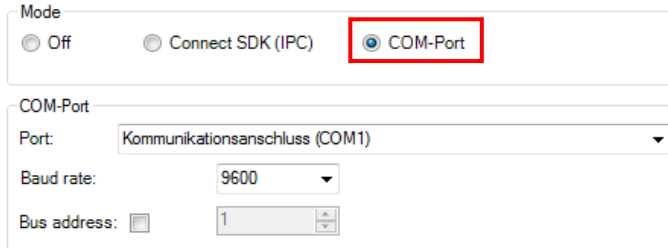
One special feature of the PIX Connect software contains the possibility to communicate via a serial COM-Port interface. This can be a physical COM-Port or a virtual COM-Port (VCP). It must be available on the computer where the PIX connect software is installed.

Setup of the interface

1. Open the **Options** dialog and enter the tab “**Extended Communication**” to enable the software for the serial communication.



2. Select the mode “**COM-Port**” and choose the appropriate port.



Mode

Off Connect SDK (IPC) COM-Port

COM-Port

Port: Kommunikationsanschluss (COM1)

Baud rate: 9600

Bus address: 1

3. Select the baud rate that matches the baud rate of the other communication device. The other interface parameters are 8 data bits, no parity and one stop bit (8N1).

These parameters are used in many other communication devices too. The other station must support 8 bit data.

4. Connect the computer with the communication device. If this is a computer too, use a null modem cable.

Command list



The command list is provided on the USB stick and in the PIX Connect software (**Help** → **SDK**). Every command must expire with CR/LF (0x0D, 0x0A).

RS485 for Xi 80 and Xi 410

The Xi 80 and Xi 410 cameras support a direct RS485 connection. RS485 interface is designed for high-speed serial data transmission over long distances and as a bidirectional bus system with up to 32 participants. An RS485 bus can be set up as a 2-wire as well as a 4-wire system. For the Xi 80/410 cameras, it is designed for a 2-wire system. A maximum cable length of 500 meters can be realized. At least a master and slave is necessary for communication. The master can be a PLC system and the slave is the camera.

RS485 is supported for Xi 80 cameras which have the hardware version 3001, firmware 3023 and at least the serial number which starts with 1812xxxx. For the Xi 410 it is working for all cameras starting at firmware version 3815. Here it is important that the communication is just working via Ethernet connection or in autonomous mode, but not with USB.

The connection for RS485 can be done directly on the terminal block (A and B) which is provided in the scope of supply of the camera.

Command list



The command list and more information can be found on the supplied USB stick under Documentation and Manuals (Serial Communication Description-RS485-xxxx-xx-x). Every command must expire with CR/LF (0x0D, 0x0A).

Appendix D – Interprocess Communication (IPC)



The description of the initialization procedure as well as the necessary command list is provided on the USB stick and in the PIX Connect software (**Help** → **SDK**).

2 SDK packages are available (included on USB stick):

1. **Connect SDK:** requires the PIX Connect software
2. **Direct SDK:** no PIX Connect software required, supports Linux and Windows

The communication to the process imager device is handled by the PIX Connect software (**Imager.exe**) only. A dynamic link library (**ImagerIPC2.dll**) provides the interprocess communication (IPC) for other attached processes. The DLL can be dynamically linked into the secondary application. Or it can be done static by a lib file too. Both **Imager.exe** and **ImagerIPC2.dll** are designed for Windows 7/ 8/ 10 only. The application must support call-back functions and polling mode.

The **ImagerIPC2.dll** will export a bunch of functions that are responsible for initiating the communication, retrieving data and setting some control parameters.

The main difference to the former Version 1 (**ImagerIPC.dll**) is the support of more than one Optris Xi via multiple instances of Optris PIX Connect.

Appendix E – PIX Connect Resource Translator



A detailed tutorial is provided on the USB stick.

PIX Connect is a **.Net Application**. Therefore, it is ready for localization. Localization as a Microsoft idiom means a complete adaption of resources to a given culture. Learn more about the internationalization topics consult Microsoft's developer documentation on

<http://msdn.microsoft.com/en-us/goglobal/bb688096.aspx>.

If desired the localization process can be illustrated in detail. Also, the resizing of buttons or other visible resources and the support of right-to-left-languages are supported. Experts who have the appropriate tools should handle it. Nevertheless, we have developed the small tool "**Resource Translator**" to make the translation of the resources of the PIX Connect application possible for everybody.

This tool helps to translate any visible text within the PIX Connect application.

Appendix F – Wiring diagrams PIF for Xi 400

Analog Output:

The maximum load impedance is 500 Ohm.

The analog output can be used as a digital output too. The current value for “no alarm” and “alarm on” is set within the software.

Digital Input:

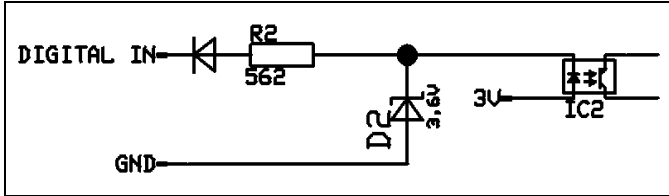


Figure 55: Digital input

The digital input can be activated with a button to the Xi GND-Pin or with a low level CMOS/TTL signal: Low level 0...0.6 V; High level 2...24 V

Example Button:

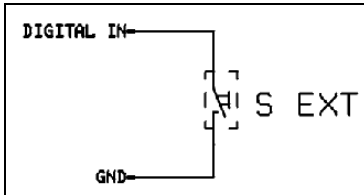
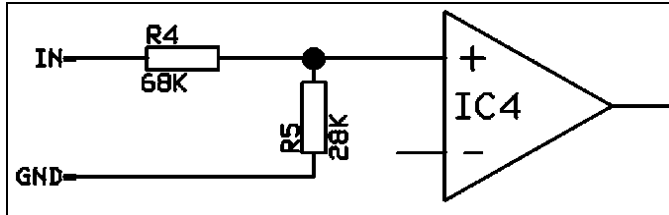


Figure 56: Button

Analog input (usable voltage range: 0 ... 10 V):**Figure 57:** Analog input**Relay output at industrial PIF [Part No.: ACPIFIMACBxx]**

The analog output must be set to “Alarm”. The range for AO1-AO3 can be set in the software (no alarm: 0-4 mA/ alarm: 10-20 mA).

REL1-3 (DO1-DO3): $U_{\max} = 30 \text{ VDC}$

$I_{\max} = 400 \text{ mA}$

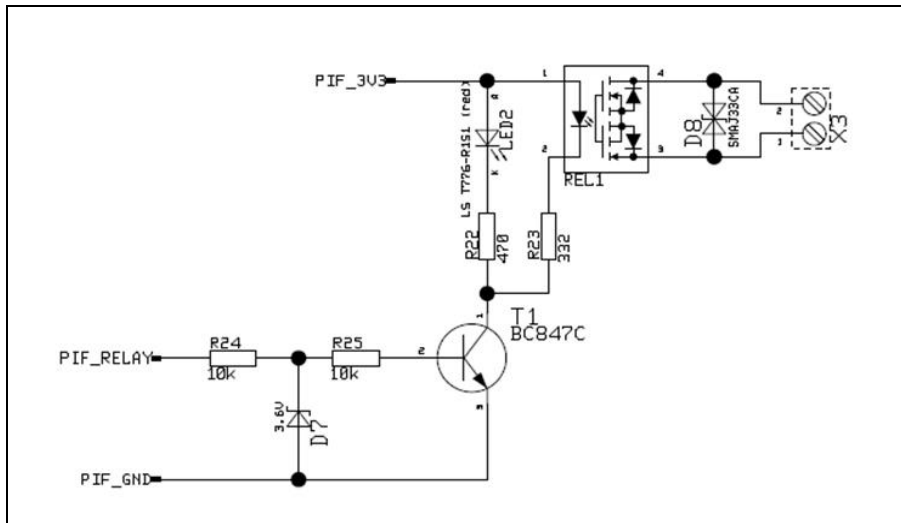


Figure 58: Relay output at industrial PIF

Appendix G – Declaration of Conformity

EG-Konformitätserklärung EU Declaration of Conformity



Wir / We

Optris GmbH
Ferdinand Bueson Str. 14
D-13127 Berlin

erklären in alleiniger Verantwortung, dass
declare on our own responsibility that

die Produktserie optris Xi
the product group optris Xi

den Anforderungen der EMV-Richtlinie 2014/30/EU und der allgemeinen Produktsicherheits-
richtlinie 2007/95/EG entspricht.
meets the provisions of the EMC Directive 2014/30/EU and the General Product Safety Directive
2001/95/EC.

Angewandte harmonisierte Normen:
Applied harmonized standards.

EMV Anforderungen / EMC General Requirements:
EN 61326-1:2013 (Grundlegende Prüfanforderungen / Basic requirements)
EN 61326-2-3:2013

Gerätesicherheit von Messgeräten / Safety of measurement devices:

EN 61010-1:2010
EN 60825-1:2014 (Lasersicherheit / Laser safety)

Dieses Produkt erfüllt die Vorschriften der Richtlinie 2015/863/EU (RoHS) des Europäischen
Parlaments und des Rates vom 4. Juni 2015 zur Beschränkung der Verwendung bestimmter
gefährlicher Stoffe in Elektro- und Elektronikgeräten.
This product is in conformity with Directive 2015/863/EU (RoHS) of the European Parliament and of
the Council of 4 June 2015 on the restriction of the use of certain hazardous substances in
electrical and electronic equipment.

Berlin, 17.09.2020

Ort, Datum / place, date

Dr. Ulrich Kienitz
Geschäftsführer / General Manager

optris Xi-MA-E2021-08-A