



## PT40 SERIES

- Gauge, compound, absolute and vacuum ranges from 2 psig to 15,000 psig
- Premium accuracy
- Current and voltage outputs available
- 316 and 17-4PH Stainless Steel wetted parts
- Field adjustable offset and span
- CE compliant to suppress RFI, EMI and ESD
- RoHS compliant

### APPLICATIONS

- Hydraulics & pneumatics
- Laboratory & test equipment
- Power generation
- Automation
- Mobile equipment
- General industrial

### SPECIFICATIONS

|                               |  |  |
|-------------------------------|--|--|
| <b>Output signals</b>         | 4 mA to 20 mA, 2-wire; 0 Vdc to 5 Vdc, 0 Vdc to 10 Vdc, 1 Vdc to 5 Vdc, 3-wire   |  |
| <b>Pressure ranges</b>        | Gauge, compound, absolute and vacuum ranges from 2 psi to 15,000 psi   |  |
| <b>Accuracy*</b>              | ±0.25% of span, optional ±0.125% of span, non-linearity best fit straight line per IEC 61298-2 at reference conditions     |  |
| <b>Adjustment</b>             | ± 10% full scale for zero and span   |  |
| <b>Response time</b>          | Less than 1 ms (between 10% and 90% full scale)  |  |
| <b>Service life</b>           | > 100 million load cycles  |  |
| <b>Temperature ranges*</b>    | Compensated:   | 32 °F to 176 °F (0 °C to 80 °C)  |
|                               | Media:   | -22 °F to 212 °F (-30 °C to 100 °C)  |
|                               | Ambient:   | -4 °F to 176 °F (-20 °C to 80 °C)  |
|                               | Storage:   | -40 °F to 212 °F (-40 °C to 100 °C)  |
| <b>Power requirement*</b>     | 10 Vdc to 30 Vdc:  | 4 mA to 20 mA, 2-wire<br>1 Vdc to 5 Vdc, 3-wire,<br>0 Vdc to 5 Vdc, 3-wire |
|                               | 14 Vdc to 30 Vdc:  | 0 Vdc to 10 Vdc, 3-wire  |
| <b>Proof pressure</b>         | < 300 psi:   | 3 times full scale   |
|                               | 300 – 10,000 psi:  | 2 times full scale   |
|                               | > 10,000 psi:  | 1.5 times full scale   |
| <b>Burst pressure</b>         | < 300 psi:   | 5 times full scale   |
|                               | 300 – 10,000 psi:  | 4 times full scale   |
|                               | > 10,000 psi:  | 3 times full scale   |
| <b>Measuring element</b>      | 316 Stainless Steel:   | Vacuum through 300 psi   |
|                               | 17-4PH Stainless Steel:  | ≥ 500 psi  |
| <b>Process connection</b>     | 316 Stainless Steel  |  |
| <b>Housing material</b>       | 316 Stainless Steel  |  |
| <b>Environmental rating</b>   | IP65: DIN EN 175301-803 Form C<br>IP67: 4-pin Bayonet, 6-pin Bayonet, 1/2" NPT conduit, M12 x 1 (4-pin),<br>Integral cable |  |
| <b>Electromagnetic rating</b> | CE compliant to EMC norm EN 61326:2014/A1:1998<br>RFI, EMI and ESD protection  |  |
| <b>Electrical protection</b>  | Reverse polarity, overvoltage and short circuit protection   |  |
| <b>Shock</b>                  | 1,000 g's according to IEC 60068-2-27  |  |
| <b>Vibration</b>              | 20 g's according to IEC 60068-2-6  |  |
| <b>Weight</b>                 | Approximately 7.5 oz.  |  |

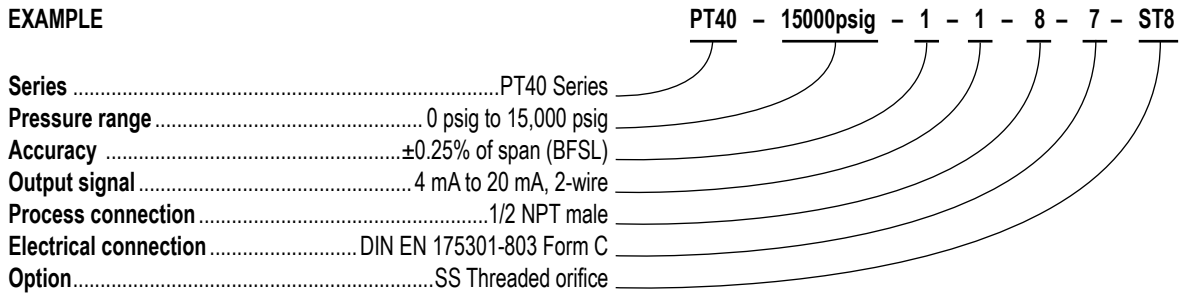
\* See user manual for detailed specifications



| ORDERING INFORMATION   |   |  |   |  |                                      |   |   |                                   |  |                                      |                                 |                                   |                                 |                                   |                                      |                                   |                                   |                                 |                                   |                                      |                                   |                                     |                                 |                                   |                                      |                                   |                                     |                                 |                                      |  |                                   |                                     |                                   |                                      |  |  |                               |                                   |                                      |                                 |  |
|--|---|--|---|--|--------------------------------------|---|---|-----------------------------------|--|--------------------------------------|---------------------------------|-----------------------------------|---------------------------------|-----------------------------------|--------------------------------------|-----------------------------------|-----------------------------------|---------------------------------|-----------------------------------|--------------------------------------|-----------------------------------|-------------------------------------|---------------------------------|-----------------------------------|--------------------------------------|-----------------------------------|-------------------------------------|---------------------------------|--------------------------------------|--|-----------------------------------|-------------------------------------|-----------------------------------|--------------------------------------|--|--|-------------------------------|-----------------------------------|--------------------------------------|---------------------------------|--|
| <b>SERIES</b>  | <b>PT40</b>   |  |   |  |                                      |   |   |                                   |  |                                      |                                 |                                   |                                 |                                   |                                      |                                   |                                   |                                 |                                   |                                      |                                   |                                     |                                 |                                   |                                      |                                   |                                     |                                 |                                      |  |                                   |                                     |                                   |                                      |  |  |                               |                                   |                                      |                                 |  |
| <b>PRESSURE RANGES</b>   | <table border="0"> <tr> <td><b>15psiv</b> -15 psig to 0 psig</td> <td><b>3psig</b> 0 psig to 3 psig</td> <td><b>200psig</b> 0 psig to 200 psig</td> <td><b>3000psig</b> 0 psig to 3,000 psig</td> <td><b>30psia</b> 0 psia to 30 psia</td> </tr> <tr> <td><b>15psic</b> -15 psig to 15 psig</td> <td><b>5psig</b> 0 psig to 5 psig</td> <td><b>300psig</b> 0 psig to 300 psig</td> <td><b>4000psig</b> 0 psig to 4,000 psig</td> <td><b>60psia</b> 0 psia to 60 psia</td> </tr> <tr> <td><b>30psic</b> -15 psig to 30 psig</td> <td><b>10psig</b> 0 psig to 10 psig</td> <td><b>500psig</b> 0 psig to 500 psig</td> <td><b>5000psig</b> 0 psig to 5,000 psig</td> <td><b>100psia</b> 0 psia to 100 psia</td> </tr> <tr> <td><b>60psic</b> -15 psig to 60 psig</td> <td><b>15psig</b> 0 psig to 15 psig</td> <td><b>600psig</b> 0 psig to 600 psig</td> <td><b>6000psig</b> 0 psig to 6,000 psig</td> <td><b>150psia</b> 0 psia to 150 psia</td> </tr> <tr> <td><b>100psic</b> -15 psig to 100 psig</td> <td><b>30psig</b> 0 psig to 30 psig</td> <td><b>750psig</b> 0 psig to 750 psig</td> <td><b>7500psig</b> 0 psig to 7,500 psig</td> <td><b>200psia</b> 0 psia to 200 psia</td> </tr> <tr> <td><b>200psic</b> -15 psig to 200 psig</td> <td><b>60psig</b> 0 psig to 60 psig</td> <td><b>1000psig</b> 0 psig to 1,000 psig</td> <td><b>10000psig</b> 0 psig to 10,000 psig</td> <td><b>300psia</b> 0 psia to 300 psia</td> </tr> <tr> <td><b>300psic</b> -15 psig to 300 psig</td> <td><b>100psig</b> 0 psig to 100 psig</td> <td><b>1500psig</b> 0 psig to 1,500 psig</td> <td><b>15000psig</b> 0 psig to 15,000 psig</td> <td></td> </tr> <tr> <td><b>2psig</b> 0 psig to 2 psig</td> <td><b>150psig</b> 0 psig to 150 psig</td> <td><b>2000psig</b> 0 psig to 2,000 psig</td> <td><b>15psia</b> 0 psia to 15 psia</td> <td></td> </tr> </table> <p>psiv = vacuum gauge pressure    psic = compound gauge pressure    psig = gauge pressure    psia = absolute pressure    Other ranges available on request<br/> <b>Note:</b> Front flush connection is available for pressure ranges up to 0 psig to 8,000 psig</p> | <b>15psiv</b> -15 psig to 0 psig   | <b>3psig</b> 0 psig to 3 psig   | <b>200psig</b> 0 psig to 200 psig                          | <b>3000psig</b> 0 psig to 3,000 psig | <b>30psia</b> 0 psia to 30 psia                   | <b>15psic</b> -15 psig to 15 psig                       | <b>5psig</b> 0 psig to 5 psig     | <b>300psig</b> 0 psig to 300 psig                            | <b>4000psig</b> 0 psig to 4,000 psig | <b>60psia</b> 0 psia to 60 psia | <b>30psic</b> -15 psig to 30 psig | <b>10psig</b> 0 psig to 10 psig | <b>500psig</b> 0 psig to 500 psig | <b>5000psig</b> 0 psig to 5,000 psig | <b>100psia</b> 0 psia to 100 psia | <b>60psic</b> -15 psig to 60 psig | <b>15psig</b> 0 psig to 15 psig | <b>600psig</b> 0 psig to 600 psig | <b>6000psig</b> 0 psig to 6,000 psig | <b>150psia</b> 0 psia to 150 psia | <b>100psic</b> -15 psig to 100 psig | <b>30psig</b> 0 psig to 30 psig | <b>750psig</b> 0 psig to 750 psig | <b>7500psig</b> 0 psig to 7,500 psig | <b>200psia</b> 0 psia to 200 psia | <b>200psic</b> -15 psig to 200 psig | <b>60psig</b> 0 psig to 60 psig | <b>1000psig</b> 0 psig to 1,000 psig | <b>10000psig</b> 0 psig to 10,000 psig | <b>300psia</b> 0 psia to 300 psia | <b>300psic</b> -15 psig to 300 psig | <b>100psig</b> 0 psig to 100 psig | <b>1500psig</b> 0 psig to 1,500 psig | <b>15000psig</b> 0 psig to 15,000 psig |  | <b>2psig</b> 0 psig to 2 psig | <b>150psig</b> 0 psig to 150 psig | <b>2000psig</b> 0 psig to 2,000 psig | <b>15psia</b> 0 psia to 15 psia |  |
| <b>15psiv</b> -15 psig to 0 psig   | <b>3psig</b> 0 psig to 3 psig   | <b>200psig</b> 0 psig to 200 psig  | <b>3000psig</b> 0 psig to 3,000 psig  | <b>30psia</b> 0 psia to 30 psia                            |                                      |   |   |                                   |  |                                      |                                 |                                   |                                 |                                   |                                      |                                   |                                   |                                 |                                   |                                      |                                   |                                     |                                 |                                   |                                      |                                   |                                     |                                 |                                      |  |                                   |                                     |                                   |                                      |  |  |                               |                                   |                                      |                                 |  |
| <b>15psic</b> -15 psig to 15 psig  | <b>5psig</b> 0 psig to 5 psig   | <b>300psig</b> 0 psig to 300 psig  | <b>4000psig</b> 0 psig to 4,000 psig  | <b>60psia</b> 0 psia to 60 psia                            |                                      |   |   |                                   |  |                                      |                                 |                                   |                                 |                                   |                                      |                                   |                                   |                                 |                                   |                                      |                                   |                                     |                                 |                                   |                                      |                                   |                                     |                                 |                                      |  |                                   |                                     |                                   |                                      |  |  |                               |                                   |                                      |                                 |  |
| <b>30psic</b> -15 psig to 30 psig  | <b>10psig</b> 0 psig to 10 psig   | <b>500psig</b> 0 psig to 500 psig  | <b>5000psig</b> 0 psig to 5,000 psig  | <b>100psia</b> 0 psia to 100 psia                          |                                      |   |   |                                   |  |                                      |                                 |                                   |                                 |                                   |                                      |                                   |                                   |                                 |                                   |                                      |                                   |                                     |                                 |                                   |                                      |                                   |                                     |                                 |                                      |  |                                   |                                     |                                   |                                      |  |  |                               |                                   |                                      |                                 |  |
| <b>60psic</b> -15 psig to 60 psig  | <b>15psig</b> 0 psig to 15 psig   | <b>600psig</b> 0 psig to 600 psig  | <b>6000psig</b> 0 psig to 6,000 psig  | <b>150psia</b> 0 psia to 150 psia                          |                                      |   |   |                                   |  |                                      |                                 |                                   |                                 |                                   |                                      |                                   |                                   |                                 |                                   |                                      |                                   |                                     |                                 |                                   |                                      |                                   |                                     |                                 |                                      |  |                                   |                                     |                                   |                                      |  |  |                               |                                   |                                      |                                 |  |
| <b>100psic</b> -15 psig to 100 psig  | <b>30psig</b> 0 psig to 30 psig   | <b>750psig</b> 0 psig to 750 psig  | <b>7500psig</b> 0 psig to 7,500 psig  | <b>200psia</b> 0 psia to 200 psia                          |                                      |   |   |                                   |  |                                      |                                 |                                   |                                 |                                   |                                      |                                   |                                   |                                 |                                   |                                      |                                   |                                     |                                 |                                   |                                      |                                   |                                     |                                 |                                      |  |                                   |                                     |                                   |                                      |  |  |                               |                                   |                                      |                                 |  |
| <b>200psic</b> -15 psig to 200 psig  | <b>60psig</b> 0 psig to 60 psig   | <b>1000psig</b> 0 psig to 1,000 psig   | <b>10000psig</b> 0 psig to 10,000 psig  | <b>300psia</b> 0 psia to 300 psia                          |                                      |   |   |                                   |  |                                      |                                 |                                   |                                 |                                   |                                      |                                   |                                   |                                 |                                   |                                      |                                   |                                     |                                 |                                   |                                      |                                   |                                     |                                 |                                      |  |                                   |                                     |                                   |                                      |  |  |                               |                                   |                                      |                                 |  |
| <b>300psic</b> -15 psig to 300 psig  | <b>100psig</b> 0 psig to 100 psig   | <b>1500psig</b> 0 psig to 1,500 psig   | <b>15000psig</b> 0 psig to 15,000 psig  |  |                                      |   |   |                                   |  |                                      |                                 |                                   |                                 |                                   |                                      |                                   |                                   |                                 |                                   |                                      |                                   |                                     |                                 |                                   |                                      |                                   |                                     |                                 |                                      |  |                                   |                                     |                                   |                                      |  |  |                               |                                   |                                      |                                 |  |
| <b>2psig</b> 0 psig to 2 psig  | <b>150psig</b> 0 psig to 150 psig   | <b>2000psig</b> 0 psig to 2,000 psig   | <b>15psia</b> 0 psia to 15 psia   |  |                                      |   |   |                                   |  |                                      |                                 |                                   |                                 |                                   |                                      |                                   |                                   |                                 |                                   |                                      |                                   |                                     |                                 |                                   |                                      |                                   |                                     |                                 |                                      |  |                                   |                                     |                                   |                                      |  |  |                               |                                   |                                      |                                 |  |
| <b>ACCURACIES</b>  | <table border="0"> <tr> <td><b>1</b> ±0.25% (of span, non-linearity, BFSL per IEC 61298-2 at reference conditions)</td> <td><b>2</b> ±0.125% (of span, non-linearity, BFSL per IEC 61298-2 at reference conditions)</td> </tr> </table>   | <b>1</b> ±0.25% (of span, non-linearity, BFSL per IEC 61298-2 at reference conditions) | <b>2</b> ±0.125% (of span, non-linearity, BFSL per IEC 61298-2 at reference conditions) |  |                                      |   |   |                                   |  |                                      |                                 |                                   |                                 |                                   |                                      |                                   |                                   |                                 |                                   |                                      |                                   |                                     |                                 |                                   |                                      |                                   |                                     |                                 |                                      |  |                                   |                                     |                                   |                                      |  |  |                               |                                   |                                      |                                 |  |
| <b>1</b> ±0.25% (of span, non-linearity, BFSL per IEC 61298-2 at reference conditions) | <b>2</b> ±0.125% (of span, non-linearity, BFSL per IEC 61298-2 at reference conditions)   |  |   |  |                                      |   |   |                                   |  |                                      |                                 |                                   |                                 |                                   |                                      |                                   |                                   |                                 |                                   |                                      |                                   |                                     |                                 |                                   |                                      |                                   |                                     |                                 |                                      |  |                                   |                                     |                                   |                                      |  |  |                               |                                   |                                      |                                 |  |
| <b>OUTPUT SIGNALS</b>  | <table border="0"> <tr> <td><b>1</b> 4 mA to 20 mA, 2-wire</td> <td><b>3</b> 1 Vdc to 5 Vdc, 3-wire</td> </tr> <tr> <td><b>2</b> 0 Vdc to 5 Vdc, 3-wire</td> <td><b>5</b> 0 Vdc to 10 Vdc, 3-wire</td> </tr> </table>   | <b>1</b> 4 mA to 20 mA, 2-wire   | <b>3</b> 1 Vdc to 5 Vdc, 3-wire   | <b>2</b> 0 Vdc to 5 Vdc, 3-wire                            | <b>5</b> 0 Vdc to 10 Vdc, 3-wire     |   |   |                                   |  |                                      |                                 |                                   |                                 |                                   |                                      |                                   |                                   |                                 |                                   |                                      |                                   |                                     |                                 |                                   |                                      |                                   |                                     |                                 |                                      |  |                                   |                                     |                                   |                                      |  |  |                               |                                   |                                      |                                 |  |
| <b>1</b> 4 mA to 20 mA, 2-wire   | <b>3</b> 1 Vdc to 5 Vdc, 3-wire   |  |   |  |                                      |   |   |                                   |  |                                      |                                 |                                   |                                 |                                   |                                      |                                   |                                   |                                 |                                   |                                      |                                   |                                     |                                 |                                   |                                      |                                   |                                     |                                 |                                      |  |                                   |                                     |                                   |                                      |  |  |                               |                                   |                                      |                                 |  |
| <b>2</b> 0 Vdc to 5 Vdc, 3-wire  | <b>5</b> 0 Vdc to 10 Vdc, 3-wire  |  |   |  |                                      |   |   |                                   |  |                                      |                                 |                                   |                                 |                                   |                                      |                                   |                                   |                                 |                                   |                                      |                                   |                                     |                                 |                                   |                                      |                                   |                                     |                                 |                                      |  |                                   |                                     |                                   |                                      |  |  |                               |                                   |                                      |                                 |  |
| <b>PROCESS CONNECTIONS</b>   | <table border="0"> <tr> <td><b>1</b> 1/8" NPT male</td> <td><b>9</b> SAE J1926-1:7/16-20 female</td> <td><b>13</b> G 1 B Front flush (For ranges with span &lt;30 psi)</td> </tr> <tr> <td><b>2</b> 1/4" NPT male</td> <td><b>10</b> G1/4B EN837</td> <td><b>45</b> 7/16-20 SAE J514 FIG 34B (Non-Adjustable)</td> </tr> <tr> <td><b>8</b> 1/2" NPT male</td> <td><b>11</b> G 1/2B Front flush (For ranges with span ≥ 30 psi)</td> <td><b>83</b> G 1/2 B EN837</td> </tr> </table> <p>Other connections available upon request</p>   | <b>1</b> 1/8" NPT male   | <b>9</b> SAE J1926-1:7/16-20 female   | <b>13</b> G 1 B Front flush (For ranges with span <30 psi) | <b>2</b> 1/4" NPT male               | <b>10</b> G1/4B EN837                             | <b>45</b> 7/16-20 SAE J514 FIG 34B (Non-Adjustable)     | <b>8</b> 1/2" NPT male            | <b>11</b> G 1/2B Front flush (For ranges with span ≥ 30 psi) | <b>83</b> G 1/2 B EN837              |                                 |                                   |                                 |                                   |                                      |                                   |                                   |                                 |                                   |                                      |                                   |                                     |                                 |                                   |                                      |                                   |                                     |                                 |                                      |  |                                   |                                     |                                   |                                      |  |  |                               |                                   |                                      |                                 |  |
| <b>1</b> 1/8" NPT male   | <b>9</b> SAE J1926-1:7/16-20 female   | <b>13</b> G 1 B Front flush (For ranges with span <30 psi)                             |   |  |                                      |   |   |                                   |  |                                      |                                 |                                   |                                 |                                   |                                      |                                   |                                   |                                 |                                   |                                      |                                   |                                     |                                 |                                   |                                      |                                   |                                     |                                 |                                      |  |                                   |                                     |                                   |                                      |  |  |                               |                                   |                                      |                                 |  |
| <b>2</b> 1/4" NPT male   | <b>10</b> G1/4B EN837   | <b>45</b> 7/16-20 SAE J514 FIG 34B (Non-Adjustable)                                    |   |  |                                      |   |   |                                   |  |                                      |                                 |                                   |                                 |                                   |                                      |                                   |                                   |                                 |                                   |                                      |                                   |                                     |                                 |                                   |                                      |                                   |                                     |                                 |                                      |  |                                   |                                     |                                   |                                      |  |  |                               |                                   |                                      |                                 |  |
| <b>8</b> 1/2" NPT male   | <b>11</b> G 1/2B Front flush (For ranges with span ≥ 30 psi)  | <b>83</b> G 1/2 B EN837  |   |  |                                      |   |   |                                   |  |                                      |                                 |                                   |                                 |                                   |                                      |                                   |                                   |                                 |                                   |                                      |                                   |                                     |                                 |                                   |                                      |                                   |                                     |                                 |                                      |  |                                   |                                     |                                   |                                      |  |  |                               |                                   |                                      |                                 |  |
| <b>ELECTRICAL CONNECTIONS</b>  | <table border="0"> <tr> <td><b>2</b> 4-pin Bayonet</td> <td><b>16</b> 1/2" NPT conduit w/ 3 ft. cable</td> <td><b>36</b> 3 ft. Integral cable</td> </tr> <tr> <td><b>3</b> 6-pin Bayonet</td> <td><b>17</b> DIN EN 175301-803 Form C w/ 3 ft. cable</td> <td><b>70</b> DIN EN 175301-803 Form C w/o mating connector</td> </tr> <tr> <td><b>7</b> DIN EN 175301-803 Form C</td> <td><b>25</b> M12 x 1 (4-pin)</td> <td></td> </tr> </table>   | <b>2</b> 4-pin Bayonet   | <b>16</b> 1/2" NPT conduit w/ 3 ft. cable   | <b>36</b> 3 ft. Integral cable                             | <b>3</b> 6-pin Bayonet               | <b>17</b> DIN EN 175301-803 Form C w/ 3 ft. cable | <b>70</b> DIN EN 175301-803 Form C w/o mating connector | <b>7</b> DIN EN 175301-803 Form C | <b>25</b> M12 x 1 (4-pin)                                    |                                      |                                 |                                   |                                 |                                   |                                      |                                   |                                   |                                 |                                   |                                      |                                   |                                     |                                 |                                   |                                      |                                   |                                     |                                 |                                      |  |                                   |                                     |                                   |                                      |  |  |                               |                                   |                                      |                                 |  |
| <b>2</b> 4-pin Bayonet   | <b>16</b> 1/2" NPT conduit w/ 3 ft. cable   | <b>36</b> 3 ft. Integral cable   |   |  |                                      |   |   |                                   |  |                                      |                                 |                                   |                                 |                                   |                                      |                                   |                                   |                                 |                                   |                                      |                                   |                                     |                                 |                                   |                                      |                                   |                                     |                                 |                                      |  |                                   |                                     |                                   |                                      |  |  |                               |                                   |                                      |                                 |  |
| <b>3</b> 6-pin Bayonet   | <b>17</b> DIN EN 175301-803 Form C w/ 3 ft. cable   | <b>70</b> DIN EN 175301-803 Form C w/o mating connector                                |   |  |                                      |   |   |                                   |  |                                      |                                 |                                   |                                 |                                   |                                      |                                   |                                   |                                 |                                   |                                      |                                   |                                     |                                 |                                   |                                      |                                   |                                     |                                 |                                      |  |                                   |                                     |                                   |                                      |  |  |                               |                                   |                                      |                                 |  |
| <b>7</b> DIN EN 175301-803 Form C  | <b>25</b> M12 x 1 (4-pin)   |  |   |  |                                      |   |   |                                   |  |                                      |                                 |                                   |                                 |                                   |                                      |                                   |                                   |                                 |                                   |                                      |                                   |                                     |                                 |                                   |                                      |                                   |                                     |                                 |                                      |  |                                   |                                     |                                   |                                      |  |  |                               |                                   |                                      |                                 |  |
| <b>OPTION</b>  | <b>ST8</b> SS Threaded Orifice (0.8 mm)   |  |   |  |                                      |   |   |                                   |  |                                      |                                 |                                   |                                 |                                   |                                      |                                   |                                   |                                 |                                   |                                      |                                   |                                     |                                 |                                   |                                      |                                   |                                     |                                 |                                      |  |                                   |                                     |                                   |                                      |  |  |                               |                                   |                                      |                                 |  |

Please consult your local NOSHOK Distributor or NOSHOK, Inc. for availability and delivery information.

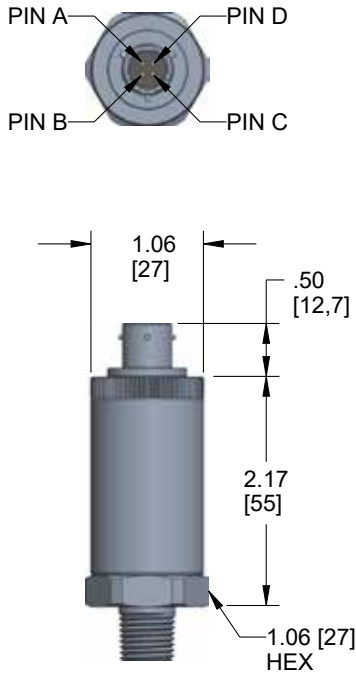
**EXAMPLE**



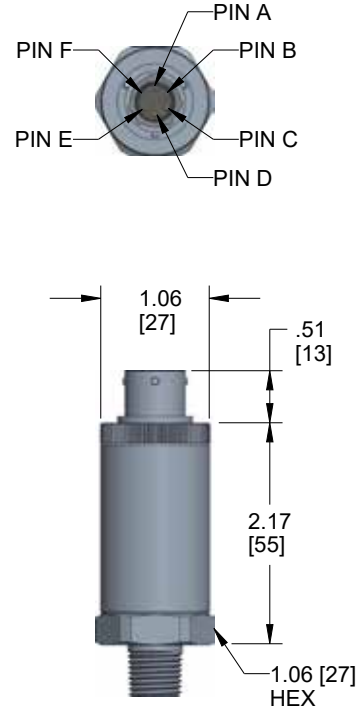
| UNINSTALLED OPTIONS   |   |
|---|---|
| <b>G1A-WELD-ON-ADAPTER</b> Weld on adapter for front flush only | <b>G1/2A-WELD-ON-ADAPTER</b> Weld on adapter for front flush only |

# Dimensions

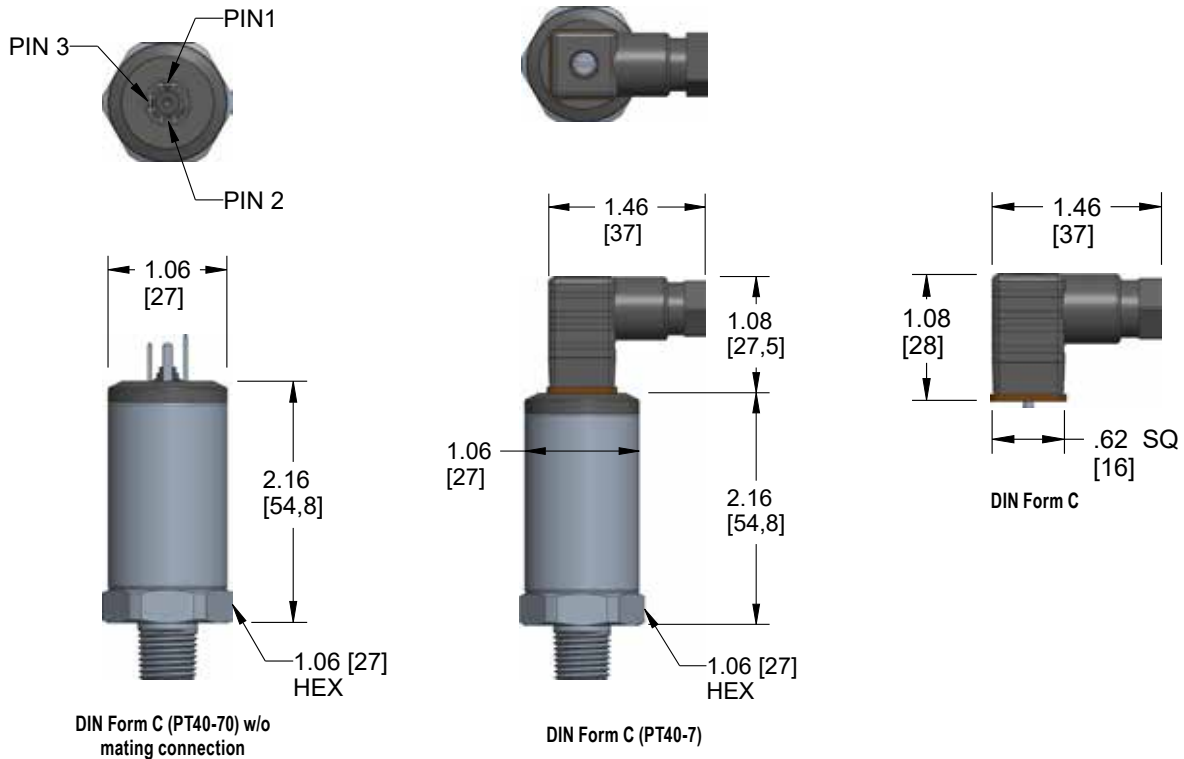
PT40-2 (4-Pin Bayonet)



PT40-3 (6-Pin Bayonet)



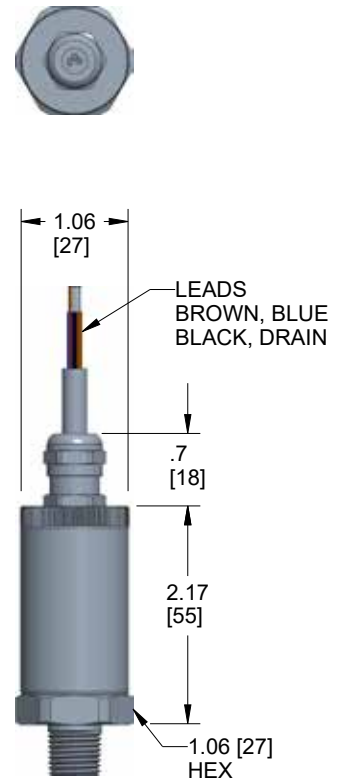
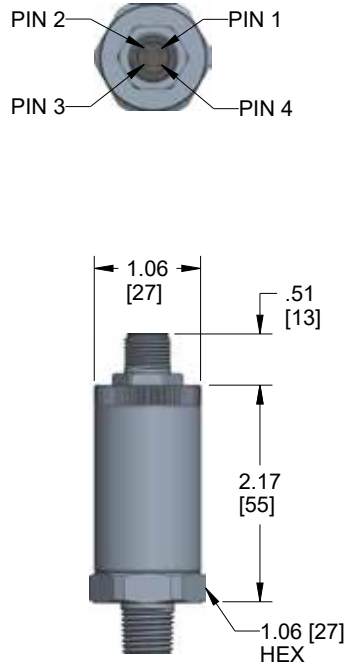
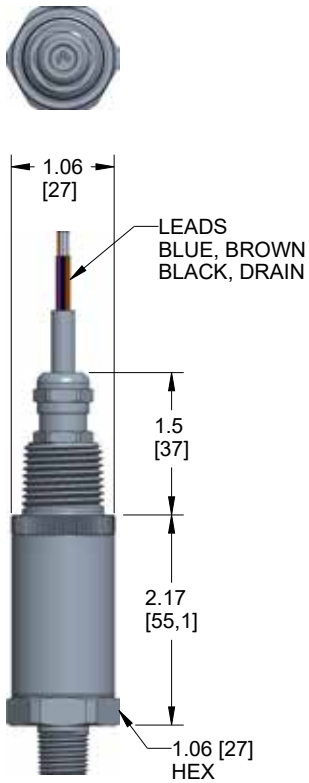
PT40 (DIN EN 175301-803 Form C)



PT40-16 (1/2" NPT conduit w/ 3 ft. cable)

PT40-25 (DIN EN 175301-803 Form A w/ 1/2" NPT female conduit)

PT40-36 (3 ft. Integral Cable)



## PT40 Process Connections

