



PT20 SERIES

- Gauge, compound, absolute and vacuum ranges from 1 psig to 15,000 psig
- Current and voltage outputs available
- 316 and 13-8PH Stainless Steel wetted parts
- RoHS compliant
- CE compliant to suppress RFI, EMI and ESD
- cULus compliant

APPLICATIONS

- HVAC
- Hydraulics & pneumatics
- General industrial
- Automation

SPECIFICATIONS

Output signals	4 mA to 20 mA, 2-wire; 0 Vdc to 5 Vdc, 3-wire; 1 Vdc to 5 Vdc, 3-wire; 0 Vdc to 10 Vdc, 3-wire; 0.5 to 4.5 Vdc, 3-wire; 0.5 to 4.5 Vdc ratiometric, 3-wire	
Pressure ranges	Gauge, compound, absolute and vacuum ranges from 1 psi to 15,000 psi	
Accuracy*	±0.50% of span, non-linearity best fit straight line per IEC 61298-2 at reference conditions	
Response time	≤ 4 ms (between 10% and 90% full scale)	
Service life	> 100 million load cycles	
Temperature ranges*	Compensated:	32 °F to 176 °F (0 °C to 80 °C)
	Media:	32 °F to 176 °F (0 °C to 80 °C)
	Ambient:	32 °F to 176 °F (0 °C to 80 °C)
	Storage:	-40 °F to 158 °F (-40 °C to 70 °C)
Power requirement*	8 Vdc to 30 Vdc:	4 mA to 20 mA, 2-wire 0 Vdc to 5 Vdc, 3-wire 1 Vdc to 5 Vdc, 3-wire 0.5 Vdc to 4.5 Vdc, 3-wire
	14 Vdc to 30 Vdc:	0 Vdc to 10 Vdc, 3-wire
	4.5 Vdc to 5.5 Vdc:	0.5 Vdc to 4.5 Vdc ratiometric, 3-wire
Proof pressure	< 7,500 psi:	2 times full scale
	≥ 7,500 psi:	1.5 times full scale
Burst pressure	< 7,500 psi:	3 times full scale
	≥ 7,500 psi:	2 times full scale
Measuring element	316 Stainless Steel:	Vacuum to 150 psi
	13-8PH Stainless Steel:	≥ 150 psi
Process connection	316 Stainless Steel	
Electrical connection	PA and PBT	
Housing material	316 Stainless Steel	
Environmental rating	IP65: DIN EN 175301-803 Form A, DIN EN 175301-803 Form C IP67: M12 x 1 (4-pin)	
Electromagnetic rating	CE compliant to EMC norm EN 61326:2014/A1:1998 RFI, EMI and ESD protection	
Electrical protection	Reverse polarity, over-voltage and short circuit protection	
Shock	500 g's according to IEC 60068-2-27	
Vibration	10 g's according to IEC 60068-2-6	
Weight	Approximately 2.8 oz.	

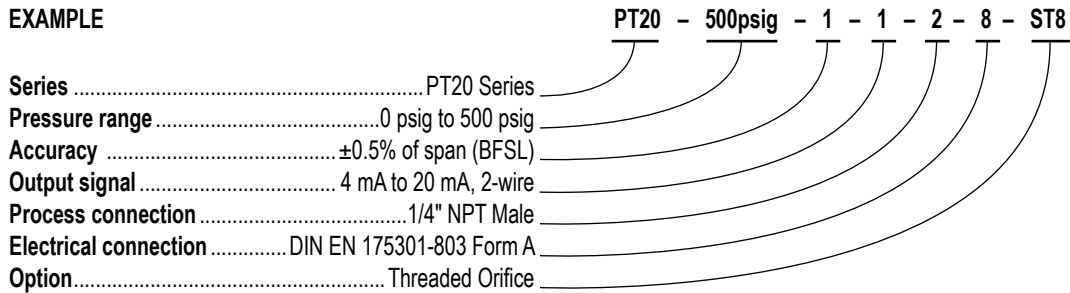
* See user manual for detailed specifications



ORDERING INFORMATION								
SERIES	PT20							
PRESSURE RANGES	15psiv	-15 psig to 0 psig	15psig	0 psig to 15 psig	1000psig	0 psig to 1,000 psig	15psia	0 psia to 15 psia
	15psic	-15 psig to 15 psig	30psig	0 psig to 30 psig	1500psig	0 psig to 1,500 psig	30psia	0 psia to 30 psia
	30psic	-15 psig to 30 psig	60psig	0 psig to 60 psig	2000psig	0 psig to 2,000 psig	60psia	0 psia to 60 psia
	60 psic	-15 psig to 60 psig	100psig	0 psig to 100 psig	3000psig	0 psig to 3,000 psig	100psia	0 psia to 100 psia
	100psic	-15 psig to 100 psig	150psig	0 psig to 150 psig	5000psig	0 psig to 5,000 psig	150psia	0 psia to 150 psia
	200psic	-15 psig to 200 psig	200psig	0 psig to 200 psig	6000psig	0 psig to 6,000 psig	200psia	0 psia to 200 psia
	300psic	-15 psig to 300 psig	300psig	0 psig to 300 psig	7500psig	0 psig to 7,500 psig	300psia	0 psia to 300 psia
	1psig	0 psig to 1 psig	500psig	0 psig to 500 psig	10000psig	0 psig to 10,000 psig		
	5psig	0 psig to 5 psig	750psig	0 psig to 750 psig	15000psig	0 psig to 15,000 psig		
psiv = vacuum gauge pressure psic = compound gauge pressure psig = gauge pressure psia = absolute pressure Other ranges available upon request.								
ACCURACY	1 ±0.50% (of span, non-linearity, BFSL per IEC 61298-2 at reference conditions)							
OUTPUT SIGNALS	1	4 mA to 20 mA, 2-wire	5	0 Vdc to 10 Vdc, 3-wire				
	2	0 Vdc to 5 Vdc, 3-wire	13	0.5 Vdc to 4.5 Vdc, 3-wire (ratiometric)				
	3	1 Vdc to 5 Vdc, 3-wire	31	0.5 Vdc to 4.5 Vdc, 3-wire (non-ratiometric)				
PROCESS CONNECTIONS	1	1/8" NPT male	8	1/2" NPT male	45	7/16-20 SAE J514 FIG 34B (Non-Adjustable)		
	2	1/4" NPT male	10	G 1/4 B EN 837	83	G 1/2 B EN 837		
ELECTRICAL CONNECTIONS	7	DIN EN 175301-803 Form C		17	DIN EN 175301-803 Form C w/ 3 ft. cable			
	8	DIN EN 175301-803 Form A		18	DIN EN 175301-803 Form A w/ 3 ft. cable			
	14	DIN EN 175301-803 Form A w/ 1/2" NPT female conduit		25	M12 x 1 (4-pin)			
OPTION	ST8 Threaded Orifice (0.8 mm)							

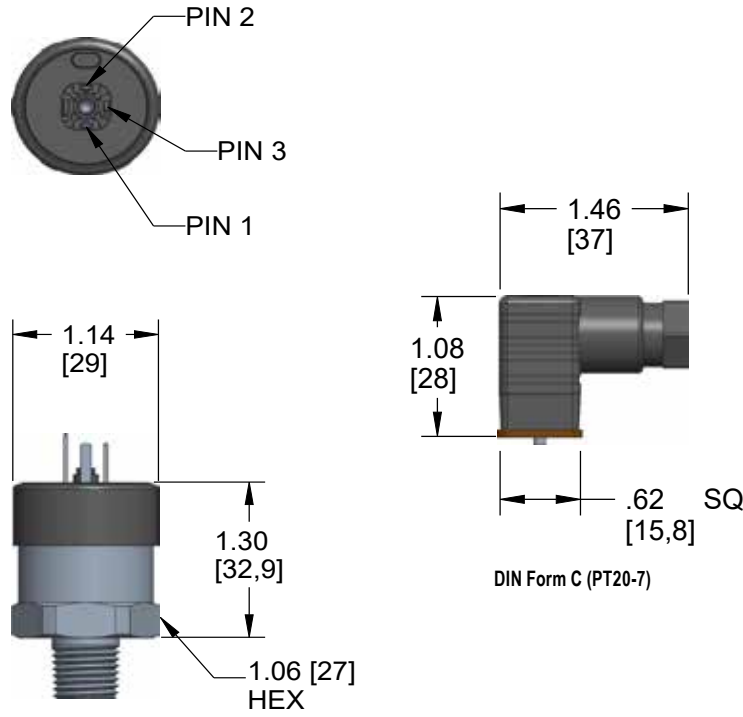
Please consult your local NOSHOK Distributor or NOSHOK, Inc. for availability and delivery information.

EXAMPLE

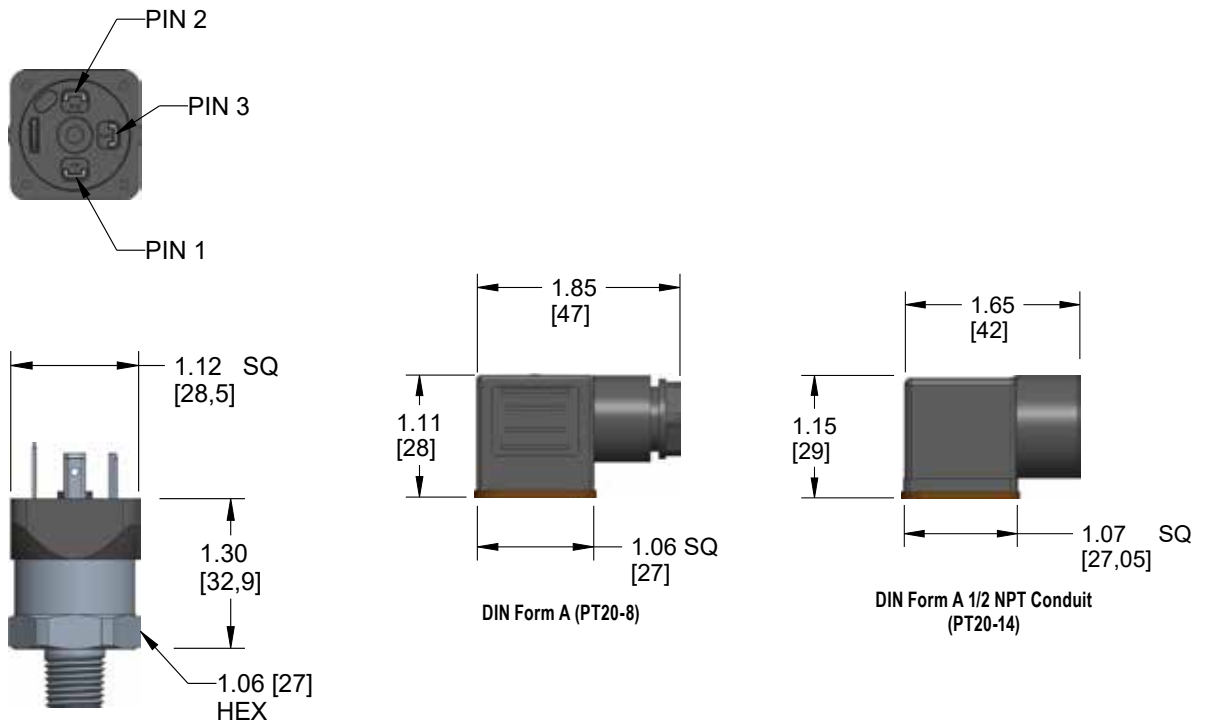


Dimensions

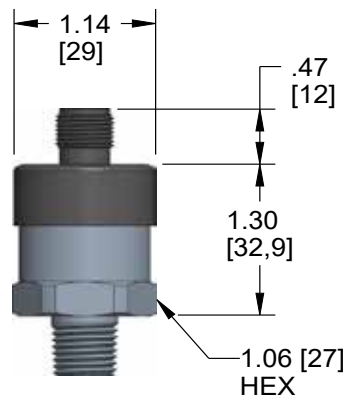
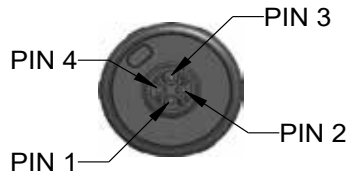
PT20 (DIN EN 175301-803 Form C)



PT20 (DIN EN 175301-803 Form A)



PT20-25 (M12 x 1 4-pin)



PT20 Process Connections

