

# Micro Motion® Model 5700 with Ethernet Transmitters

Configuration and Use Manual



MICRO MOTION™

## Safety messages

Safety messages are provided throughout this manual to protect personnel and equipment. Read each safety message carefully before proceeding to the next step.

## Emerson Flow customer service

Email:

- Worldwide: [flow.support@emerson.com](mailto:flow.support@emerson.com)
- Asia-Pacific: [APflow.support@emerson.com](mailto:APflow.support@emerson.com)

Telephone:

North and South America		Europe and Middle East		Asia Pacific	
United States	800-522-6277	U.K.	0870 240 1978	Australia	800 158 727
Canada	+1 303-527-5200	The Netherlands	+31 (0) 704 136 666	New Zealand	099 128 804
Mexico	+41 (0) 41 7686 111	France	0800 917 901	India	800 440 1468
Argentina	+54 11 4837 7000	Germany	0800 182 5347	Pakistan	888 550 2682
Brazil	+55 15 3413 8000	Italy	8008 77334	China	+86 21 2892 9000
Venezuela	+58 26 1731 3446	Central & Eastern	+41 (0) 41 7686 111	Japan	+81 3 5769 6803
		Russia/CIS	+7 495 981 9811	South Korea	+82 2 3438 4600
		Egypt	0800 000 0015	Singapore	+65 6 777 8211
		Oman	800 70101	Thailand	001 800 441 6426
		Qatar	431 0044	Malaysia	800 814 008
		Kuwait	663 299 01		
		South Africa	800 991 390		
		Saudi Arabia	800 844 9564		
		UAE	800 0444 0684		

# Contents

## Part I Getting Started

<b>Chapter 1</b>	<b>Before you begin</b> .....	<b>2</b>
1.1	About this manual .....	2
1.2	Communication methods .....	2
1.3	Additional documentation and resources .....	3
<b>Chapter 2</b>	<b>Quick start</b> .....	<b>4</b>
2.1	Power up the transmitter .....	4
2.2	Check meter status .....	4
2.3	Commissioning wizards .....	5
2.4	Make a startup connection to the transmitter .....	5
2.5	Set the transmitter clock .....	6
2.6	View the licensed features .....	6
2.7	Set informational parameters .....	7
2.8	Characterize the meter (if required) .....	8
2.9	Verify mass flow measurement .....	11
2.10	Verify the zero .....	12

## Part II Configuration and commissioning

<b>Chapter 3</b>	<b>Introduction to configuration and commissioning</b> .....	<b>15</b>
3.1	Security and write protection .....	15
3.2	Work with configuration files .....	19
<b>Chapter 4</b>	<b>Configure process measurement</b> .....	<b>26</b>
4.1	Configure Sensor Flow Direction Arrow .....	26
4.2	Configure mass flow measurement .....	27
4.3	Configure volume flow measurement for liquid applications .....	33
4.4	Configure gas standard volume (GSV) flow measurement .....	38
4.5	Configure density measurement .....	43
4.6	Configure temperature measurement .....	47
4.7	Configure Pressure Measurement Unit .....	49
4.8	Configure Velocity Measurement Unit .....	50
<b>Chapter 5</b>	<b>Configure process measurement applications</b> .....	<b>52</b>
5.1	Set up the API referral application .....	52
5.2	Set up concentration measurement .....	59
<b>Chapter 6</b>	<b>Configure advanced options for process measurement</b> .....	<b>78</b>
6.1	Configure Response Time .....	78
6.2	Detect and report two-phase flow .....	79
6.3	Configure Flow Rate Switch .....	80
6.4	Configure events .....	81
6.5	Configure totalizers and inventories .....	84

6.6	Configure logging for totalizers and inventories .....	88
6.7	Configure Process Variable Fault Action .....	89
<b>Chapter 7</b>	<b>Configure device options and preferences .....</b>	<b>92</b>
7.1	Configure the transmitter display .....	92
7.2	Configure the transmitter's response to alerts .....	98
<b>Chapter 8</b>	<b>Integrate the meter with the control system .....</b>	<b>107</b>
8.1	Channel configuration .....	107
8.2	Configure Ethernet Channel A and Channel B .....	107
8.3	Configure I/O Channel C .....	108
8.4	Configure the mA output .....	108
8.5	Configure the frequency output .....	118
8.6	Configure the discrete output .....	124
8.7	Configure the discrete input .....	128
<b>Chapter 9</b>	<b>Complete the configuration .....</b>	<b>131</b>
9.1	Test or tune the system using sensor simulation .....	131
9.2	Save the transmitter configuration to a backup file .....	133
9.3	Enable or disable software write-protection .....	133
<b>Part III</b>	<b>Operations, maintenance, and troubleshooting</b>	
<b>Chapter 10</b>	<b>Transmitter operation .....</b>	<b>135</b>
10.1	View process and diagnostic variables .....	135
10.2	View and acknowledge status alerts .....	137
10.3	Read totalizer and inventory values .....	139
10.4	Start, stop, and reset totalizers and inventories .....	139
<b>Chapter 11</b>	<b>Operation using the batcher .....</b>	<b>143</b>
11.1	Run a batch .....	143
11.2	Perform AOC calibration .....	145
<b>Chapter 12</b>	<b>Measurement support .....</b>	<b>148</b>
12.1	Use Smart Meter Verification .....	148
12.2	Zero the meter .....	157
12.3	Set up pressure compensation .....	159
12.4	Validate the meter .....	164
12.5	Perform a (standard) D1 and D2 density calibration .....	166
12.6	Adjust concentration measurement with Trim Offset .....	170
12.7	Adjust concentration measurement with Trim Slope and Trim Offset .....	171
<b>Chapter 13</b>	<b>Maintenance .....</b>	<b>174</b>
13.1	Install a new transmitter license .....	174
13.2	Upgrade the transmitter firmware .....	175
13.3	Reboot the transmitter .....	177
13.4	Battery replacement .....	178
<b>Chapter 14</b>	<b>Log files, history files, and service files .....</b>	<b>179</b>
14.1	Generate history log files .....	179
14.2	Generate service files .....	184
<b>Chapter 15</b>	<b>Troubleshooting .....</b>	<b>191</b>
15.1	Status LED and device status .....	192
15.2	Network status LED .....	192

15.3	Status alerts, causes, and recommendations .....	193
15.4	Flow measurement problems .....	206
15.5	Density measurement problems .....	208
15.6	Temperature measurement problems .....	210
15.7	Velocity measurement problems .....	211
15.8	API referral problems .....	212
15.9	Concentration measurement problems .....	213
15.10	Milliamp output problems .....	213
15.11	Frequency output problems .....	215
15.12	Discrete output problems .....	216
15.13	Discrete input problems .....	217
15.14	Check power supply wiring .....	217
15.15	Check sensor-to-transmitter wiring .....	218
15.16	Check grounding .....	219
15.17	Perform loop tests .....	219
15.18	Trim mA output .....	226
15.19	Using sensor simulation for troubleshooting .....	227
15.20	Check Lower Range Value and Upper Range Value .....	228
15.21	Check mA Output Fault Action .....	228
15.22	Check the scaling of the frequency output .....	228
15.23	Check Frequency Output Fault Action .....	228
15.24	Check the direction parameters .....	229
15.25	Check the cutoffs .....	229
15.26	Check for two-phase flow (slug flow) .....	229
15.27	Check for radio frequency interference (RFI) .....	230
15.28	Check the drive gain .....	230
15.29	Check the pickoff voltage .....	231
15.30	Check for internal electrical problems .....	232
15.31	Perform a core processor resistance test .....	234

## Appendices and reference

<b>Appendix A</b>	<b>Using the transmitter display .....</b>	<b>238</b>
A.1	Components of the transmitter display .....	238
A.2	Access and use the display menus .....	242
<b>Appendix B</b>	<b>Using ProLink III with the transmitter .....</b>	<b>246</b>
B.1	Basic information about ProLink III .....	246
B.2	Connect with ProLink III .....	247
<b>Appendix C</b>	<b>Using a Web browser to configure the transmitter .....</b>	<b>250</b>
C.1	Recommended web browsers .....	250
C.2	Configuring transmitter and PC Ethernet settings .....	250
C.3	Log in with a web browser .....	252
C.4	Change Ethernet login passwords .....	253
<b>Appendix D</b>	<b>Concentration measurement matrices, derived variables, and process variables .....</b>	<b>255</b>
D.1	Standard matrices for the concentration measurement application .....	255
D.2	Derived variables and calculated process variables .....	256
<b>Appendix E</b>	<b>Environmental compliance .....</b>	<b>258</b>
E.1	RoHS and WEEE .....	258



# Part I

## Getting Started

### Chapters covered in this part:

- *Before you begin*
- *Quick start*

# 1 Before you begin

## Topics covered in this chapter:

- [About this manual](#)
- [Communication methods](#)
- [Additional documentation and resources](#)

## 1.1 About this manual

This manual provides information to help you configure, commission, use, maintain, and troubleshoot the Micro Motion transmitter.

---

### Important

This manual assumes that the following conditions apply:

- The transmitter has been installed correctly and completely according to the instructions in the transmitter installation manual
  - The installation complies with all applicable safety requirements
  - The user is trained in local and corporate safety standards
- 

## 1.2 Communication methods

You can use several different communications methods to interface with the transmitter. You may use different methods in different locations or for different tasks.

**Table 1-1: Communication methods**

Interface	Tool	Scope	In this manual	For more information
Display	Infrared-sensitive buttons	Complete configuration and commissioning	Complete user information. See <a href="#">Appendix A</a> .	Not applicable
Universal Service Port	ProLink III	Complete configuration and commissioning	Basic user information. See <a href="#">Appendix B</a> .	User manual <ul style="list-style-type: none"> <li>• Installed with software</li> <li>• On Micro Motion user documentation CD</li> <li>• On Micro Motion web site (<a href="http://www.micromotion.com">www.micromotion.com</a>)</li> </ul>
Ethernet ports	Web browser (http)	Complete configuration and commissioning	Complete user information. See <a href="#">Appendix C</a> .	Not applicable



**Table 1-1: Communication methods (continued)**

Interface	Tool	Scope	In this manual	For more information
	<ul style="list-style-type: none"> <li>EtherNet/IP</li> <li>Modbus TCP</li> <li>PROFINET</li> </ul>	Complete configuration and commissioning	Basic user information.	User manual <ul style="list-style-type: none"> <li>Installed with software</li> <li>On Micro Motion user documentation CD</li> <li>On Micro Motion web site (<a href="http://www.micromotion.com">www.micromotion.com</a>)</li> </ul>

## 1.3 Additional documentation and resources

Micro Motion provides additional documentation to support the installation and operation of the transmitter.

**Table 1-2: Additional documentation and resources**

Topic	Document
Sensor	Sensor documentation
Transmitter installation	<i>Micro Motion Model 5700 Transmitters Ethernet Installation Manual</i>
Product Data Sheet	<i>Micro Motion Model 5700 Product Data Sheet (PDS)</i>
EtherNet/IP	<i>Micro Motion Model 5700 Transmitters Ethernet Rockwell RSLogix Integration Guide</i>
PROFINET	<i>Micro Motion Ethernet PROFINET Siemens Integration Guide</i>
Modbus TCP configuration	<i>Modbus Interface Tool (MIT)</i> — available at <a href="http://www.micromotion.com">www.micromotion.com</a>
Hazardous area installation	See the approval documentation shipped with the transmitter, or download the appropriate documentation from the Micro Motion web site at <a href="http://www.micromotion.com">www.micromotion.com</a> .

## 2 Quick start

### Topics covered in this chapter:

- *Power up the transmitter*
- *Check meter status*
- *Commissioning wizards*
- *Make a startup connection to the transmitter*
- *Set the transmitter clock*
- *View the licensed features*
- *Set informational parameters*
- *Characterize the meter (if required)*
- *Verify mass flow measurement*
- *Verify the zero*

### 2.1 Power up the transmitter

The transmitter must be powered up for all configuration and commissioning tasks, or for process measurement.

1. Ensure that all transmitter and sensor covers and seals are closed.

 **WARNING!**

**To prevent ignition of flammable or combustible atmospheres, ensure that all covers and seals are tightly closed. For hazardous area installations, applying power while housing covers are removed or loose can cause an explosion.**

2. Turn on the electrical power at the power supply.

#### Postrequisites

Although the sensor is ready to receive process fluid shortly after power-up, the electronics can take up to 10 minutes to reach thermal equilibrium. Therefore, if this is the initial startup, or if power has been off long enough to allow components to reach ambient temperature, allow the electronics to warm up for approximately 10 minutes before relying on process measurements. During this warm-up period, you may observe minor measurement instability or inaccuracy.

### 2.2 Check meter status

Check the meter for any error conditions that require user action or that affect measurement accuracy.

1. Wait approximately 10 seconds for the power-up sequence to complete.  
Immediately after power-up, the transmitter runs through diagnostic routines and checks for error conditions. During the power-up sequence, the **Transmitter Initializing** alert is active. This alert should clear automatically when the power-up sequence is complete.
2. Check the status LED on the transmitter.

**Table 2-1: Status LED and device status**

Status LED condition	Device status
Solid green	No alerts are active.
Solid yellow	One or more alerts are active with Alert Severity = Out of Specification, Maintenance Required, or Function Check.
Solid red	One or more alerts are active with Alert Severity = Failure.
Flashing yellow (1 Hz)	The Function Check in Progress alert is active.

## 2.3 Commissioning wizards

The transmitter menu includes a *Guided Setup* to help you move fast through the most common configuration parameters. ProLink III also provides a commissioning wizard.

By default, when the transmitter starts up, the Guided Setup menu is offered. You can choose to use it or not. You can also choose whether or not Guided Setup is displayed automatically.

- To enter Guided Setup upon transmitter startup, choose Yes at the prompt.
- To enter Guided Setup after transmitter startup, choose Menu > Configuration > Guided Setup.
- To control the automatic display of Guided Setup, choose Menu > Configuration > Guided Setup.

For information on the ProLink III commissioning wizard, see the ProLink III manual.

This manual does not document the commissioning wizards in detail.

## 2.4 Make a startup connection to the transmitter

Identify the connection type to use, and follow the instructions for that connection type in the appropriate appendix.

Communications tool	Connection type to use	Instructions
ProLink III	Service port	<a href="#">Appendix B</a>

Communications tool	Connection type to use	Instructions
Web browser	Ethernet	<a href="#">Appendix C</a>

## 2.5 Set the transmitter clock

Display	Menu > Configuration > Time/Date/Tag
ProLink III	Device Tools > Configuration > Transmitter Clock
Web browser	Configuration > Time/Date/Tag

### Overview

The transmitter clock provides timestamp data for alerts, service logs, history logs, and all other timers and dates in the system. You can set the clock for your local time or for any standard time you want to use.

### Tip

You may find it convenient to set all of your transmitter clocks to the same time, even if the transmitters are in different time zones.

### Procedure

1. Select the time zone that you want to use.
2. If you need a custom time zone, select Special Time Zone and enter your time zone as a difference from UTC (Coordinated Universal Time).
3. Set the time appropriately for the selected time zone.

### Tip

The transmitter does not adjust for Daylight Savings Time. If you observe Daylight Savings Time, you must reset the transmitter clock manually.

4. Set the month, day, and year.  
The transmitter tracks the year and automatically adds a day for leap years.

## 2.6 View the licensed features

Display	Menu > About > Licenses > Licensed Features
ProLink III	Device Tools > Device Information > Licensed Features
Web browser	Configuration > Device Information > Licensed Features

## Overview

The transmitter license controls the features (applications) that are enabled on the transmitter.

Licensed features have been purchased and are available for permanent use. The options model code represents the licensed features.

A trial license allows you to explore features before purchasing. The trial license enables the specified features for a limited number of days. This number is displayed for reference. At the end of this period, the feature will no longer be available.

To purchase additional features or request a trial license, contact Micro Motion. To enable the additional features or request a trial license, you must install the new license.

## 2.7 Set informational parameters

Display	Menu > Configuration > Device Information
ProLink III	Device Tools > Configuration > Informational Parameters
Web browser	Configuration > Time/Date/Tag

### Overview

You can set several parameters that identify or describe the transmitter and sensor. These parameters are not used in processing and are not required.

### Procedure

1. Set informational parameters for the transmitter.
  - a. Set Transmitter Serial Number to the serial number of your transmitter.
 

The transmitter serial number is provided on the metal tag that is attached to the transmitter housing.
  - b. Set Descriptor to any desired description of this transmitter or measurement point.
  - c. Set Message to any desired message.
  - d. Verify that Model Code (Base) is set to the base model code of the transmitter.
 

The base model code completely describes your transmitter, except for the features that can be licensed independently. The base model code is set at the factory.
  - e. Set Model Code (Options) to the options model code of the transmitter.
 

The options model code describes the independent features that have been licensed for this transmitter. The original options model code is set at the factory. If you license additional options for this transmitter, Micro Motion will supply an updated options model code.

2. Set informational parameters for the sensor.
  - a. Set Sensor Serial Number to the serial number of the sensor connected to this transmitter.  
  
The sensor serial number is provided on the metal tag that is attached to the sensor case.
  - b. Set Sensor Material to the material used for the sensor.
  - c. Set Sensor Liner to the material used for the sensor liner.
  - d. Set Flange Type to the type of flange that was used to install the sensor.

Do not set Sensor Type. Sensor Type is set or derived during characterization.

## 2.8 Characterize the meter (if required)

Display	Menu > Configuration > Sensor Parameters
ProLink III	Device Tools > Calibration Data
Web browser	Configuration > Sensor Parameters

### Overview

Characterizing the meter adjusts your transmitter to match the unique traits of the sensor it is paired with. The characterization parameters (also called calibration parameters) describe the sensor's sensitivity to flow, density, and temperature. Depending on your sensor type, different parameters are required. Values for your sensor are provided by Micro Motion on the sensor tag or the calibration certificate.

### Tip

If your transmitter was ordered with a sensor, it was characterized at the factory. However, you should still verify the characterization parameters.

### Procedure

1. (Optional) Specify Sensor Type.
  - Straight Tube (T-Series sensors)
  - Curved Tube (all sensors except T-Series)

### Note

Unlike earlier transmitters, the Model 5700 transmitter derives Sensor Type from the user-specified values for FCF and K1 in combination with an internal ID.

2. Set the flow calibration factor: FCF (also called Flow Cal or Flow Calibration Factor). Be sure to include all decimal points.

3. Set the density characterization parameters: D1, D2, TC, K1, K2, and FD. (TC is sometimes shown as DT.)
4. Apply the changes:
  - Using the display: No action is required.
  - Using ProLink III: Click Apply.

The transmitter identifies your sensor type, and characterization parameters are adjusted as required:

- If Sensor Type changed from Curved Tube to Straight Tube, five characterization parameters are added to the list.
  - If Sensor Type changed from Straight Tube to Curved Tube, five characterization parameters are removed from the list.
  - If Sensor Type did not change, the list of characterization parameters does not change.
5. T-Series sensors only: Set the additional characterization parameters listed below.

Characterization parameter type	Parameters
Flow	FTG, FFQ
Density	DTG, DFQ1, DFQ2

## 2.8.1 Sample sensor tags

**Figure 2-1: Tag on older curved-tube sensors (all sensors except T-Series)**

Sensor	S/N
Meter Type	
Meter Factor	
Flow Cal Factor	19.0005.13
Dens Cal Factor	12500142864.44
Cal Factor Ref to 0°C	
TEMP	°C
TUBE*	CONN**
<small>           • MAX. PRESSURE RATING AT 25°C, ACCORDING TO ASME B31.3.            • MAX. PRESSURE RATING AT 25°C, ACCORDING TO ANSI/ASME B16.5 OR MFR'S RATING.         </small>	

**Figure 2-2: Tag on newer curved-tube sensors (all sensors except T-Series)**

```

MODEL
S/N
FLOW CAL* 19.0005.13
DENS CAL* 12502142824.44
  D1 0.0010    K1 12502.000
  D2 0.9980    K2 14282.000
  TC 4.44000  FD 310
TEMP RANGE      TO      C
TUBE**  CONN*** CASE**

* CALIBRATION FACTORS REFERENCE TO 0 C*
** MAXIMUM PRESSURE RATING AT 25 C, ACCORDING TO ASME B31.3
*** MAXIMUM PRESSURE RATING AT 25C, ACCORDING TO ANSI/ASME B16.5 OR MFR'S RATING

```

## 2.8.2 Flow calibration parameters (FCF, FT)

Two separate values are used to describe flow calibration: a 6-character FCF value and a 4-character FT value. They are provided on the sensor tag.

Both values contain decimal points. During characterization, these are entered as a single 10-character string. The 10-character string is called either Flowcal or FCF.

If your sensor tag shows the FCF and the FT values separately and you need to enter a single value, concatenate the two values to form the single parameter value, retaining both decimal points.

### Example: Concatenating FCF and FT

```

FCF = x.xxxx
FT = y.yy
Flow calibration parameter: x.xxxxxy.yy

```

## 2.8.3 Density calibration parameters (D1, D2, K1, K2, FD, DT, TC)

Density calibration parameters are typically on the sensor tag and the calibration certificate.

If your sensor tag does not show a D1 or D2 value:

- For D1, enter the Dens A or D1 value from the calibration certificate. This value is the line-condition density of the low-density calibration fluid. Micro Motion uses air. If you cannot find a Dens A or D1 value, enter 0.001 g/cm<sup>3</sup>.
- For D2, enter the Dens B or D2 value from the calibration certificate. This value is the line-condition density of the high-density calibration fluid. Micro Motion uses water. If you cannot find a Dens B or D2 value, enter 0.998 g/cm<sup>3</sup>.



If your sensor tag does not show a K1 or K2 value:

- For K1, enter the first 5 digits of the density calibration factor. In this sample tag, this value is shown as 12500.
- For K2, enter the second 5 digits of the density calibration factor. In this sample tag, this value is shown as 14286.

**Figure 2-3: K1, K2, and TC values in the density calibration factor**

Sensor	S/N
Meter Type	
Meter Factor	
Flow Cal Factor	19.0005.13
Dens Cal Factor	12500142864.44
Cal Factor Ref to 0°C	
TEMP	°C
TUBE*	CONN**
<small>           • MAX. PRESSURE RATING AT 25°C, ACCORDING TO ASME B31.3.            • MAX. PRESSURE RATING AT 25°C, ACCORDING TO ANSI/ASME B16.5 OR MFR'S RATING.         </small>	

If your sensor does not show an FD value, contact Micro Motion customer service.

If your sensor tag does not show a DT or TC value, enter the last 4 characters of the density calibration factor. In the sample tag shown above, the value is shown as 4.44.

## 2.9 Verify mass flow measurement

Check to see that the mass flow rate reported by the transmitter is accurate. You can use any available method.

Connect to the transmitter with ProLink III and read the value for Mass Flow Rate in the Process Variables panel.

### Postrequisites

If the reported mass flow rate is not accurate:

- Check the characterization parameters.
- Review the troubleshooting suggestions for flow measurement issues.

### Related information

[Flow measurement problems](#)

## 2.10 Verify the zero

Display	Menu > Service Tools > Verification & Calibration > Meter Zero > Zero Verification
ProLink III	Device Tools > Calibration > Smart Zero Verification and Calibration > Verify Zero
Web browser	Service Tools > Verification and Calibration > Meter Zero > Zero Verification

### Overview

Verifying the zero helps you determine if the stored zero value is appropriate to your installation, or if a field zero can improve measurement accuracy.

### Important

In most cases, the factory zero is more accurate than the field zero. Do not zero the flowmeter unless one of the following is true:

- The zero is required by site procedures.
- The stored zero value fails the zero verification procedure.

### Prerequisites

### Important

Do not verify the zero or zero the flowmeter if a high-severity alarm is active. Correct the problem, then verify the zero or zero the flowmeter. You may verify the zero or zero the flowmeter if a low-severity alarm is active.

### Procedure

1. Prepare the flowmeter:
  - a. Allow the flowmeter to warm up for at least 20 minutes after applying power.
  - b. Run the process fluid through the sensor until the sensor temperature reaches the normal process operating temperature.
  - c. Stop flow through the sensor by shutting the downstream valve, and then the upstream valve if available.
  - d. Verify that the sensor is blocked in, that flow has stopped, and that the sensor is completely full of process fluid.
2. Start the zero verification procedure, and wait until it completes.
3. If the zero verification procedure fails:
  - a. Confirm that the sensor is completely blocked in, that flow has stopped, and that the sensor is completely full of process fluid.
  - b. Verify that the process fluid is not flashing or condensing, and that it does not contain particles that can settle out.
  - c. Repeat the zero verification procedure.
  - d. If it fails again, zero the flowmeter.

**Postrequisites**

Restore normal flow through the sensor by opening the valves.

**Related information**

*[Zero the meter](#)*

# Part II

## Configuration and commissioning

### Chapters covered in this part:

- *Introduction to configuration and commissioning*
- *Configure process measurement*
- *Configure process measurement applications*
- *Configure advanced options for process measurement*
- *Configure device options and preferences*
- *Integrate the meter with the control system*
- *Complete the configuration*

# 3 Introduction to configuration and commissioning

## Topics covered in this chapter:

- [Security and write protection](#)
- [Work with configuration files](#)

## 3.1 Security and write protection

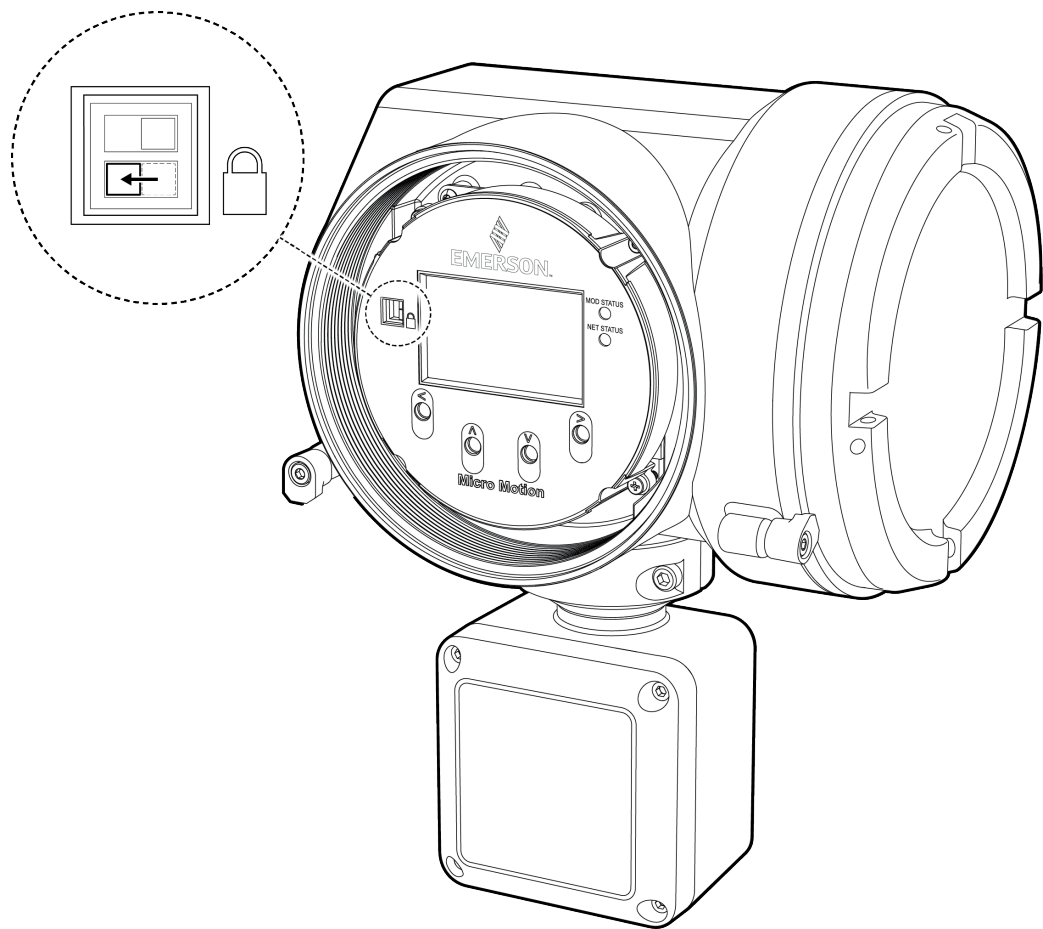
The transmitter has several features that can help to protect it against intentional or unintentional access and configuration changes.

- When locked, the mechanical lock switch on the front of the display prevents any configuration changes to the transmitter from any local or remote configuration tool. A transmitter without a display does not have a lock switch.
- If the Universal Service Port (USP) is disabled, the port cannot be used by any service tool to communicate with or make changes to the transmitter.
- When enabled, the software setting Write Protection prevents any configuration changes. The setting can only be enabled if the transmitter does not have a display.
- When enabled, the display Configuration Security prevents any configuration changes being made from the display unless the display password is entered.

### 3.1.1 Lock or unlock the transmitter

If the transmitter has a display, a mechanical switch on the display can be used to lock or unlock the transmitter. When locked, no configuration changes can be made using any configuration tool.

**Figure 3-1: Lock switch on transmitter display (unlocked)**



You can determine whether you need to lock or unlock the transmitter by looking at the switch.

- If the switch is in the right position, the transmitter is locked.
- If the switch is in the left position, the transmitter is unlocked.

**Procedure**

1. If you are in a hazardous area, power down the transmitter.

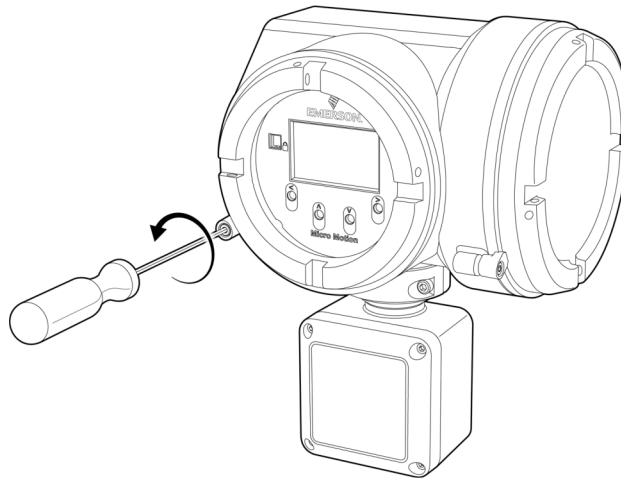
2. **Note**

---

Never remove the transmitter housing cover in a hazardous area when the transmitter is powered up. Failure to follow these instructions may result in an explosion.

---

Remove the transmitter housing cover.

**Figure 3-2: Removing the transmitter housing cover**

3. Using a fine-pointed tool, move the switch to the desired position.
4. Replace the transmitter housing cover.
5. If necessary, power up the transmitter.

### 3.1.2 Enable or disable the service port

Display	Menu > Configuration > Security > Service Port
ProLink III	<i>Not available</i>
Web browser	<i>Not available</i>

#### Overview

The service port is enabled by default, so you can use it for transferring files or connect to it with ProLink III. If you want to completely prevent it from being used, you can disable it.

#### **⚠ CAUTION!**

**Do not use the service port if the transmitter is in a hazardous area. To use the service port, you must open the transmitter wiring compartment. Opening the wiring compartment in a hazardous area, while the transmitter is powered up, can cause an explosion.**

### 3.1.3 Enable or disable software write-protection

Display	<i>Not available</i>
ProLink III	Device Tools > Configuration > Write-Protection
Web browser	Configuration > Security > Write Protection

### Overview

When enabled, the software setting Write-Protection prevents changes to the transmitter configuration. You can perform all other functions, and you can view the transmitter configuration parameters.

#### Note

The write-protection setting is only available on transmitters without a display.

#### Note

Write-protecting the transmitter primarily prevents accidental changes to configuration, not intentional changes. Any user who can make changes to the configuration can disable write protection.

## 3.1.4 Configure security for the display

Display	Menu > Configuration > Security > Configuration Security
ProLink III	Device Tools > Configuration > Transmitter Display > Display Security
Web browser	Configuration > Security > Display Security

### Overview

You can configure a display password, and require the operator to enter the password to make any changes to configuration through the display, or to access alert data through the display.

The operator always has read-only access to the configuration menus.

### Procedure

1. Enable or disable configuration security as desired.

Option	Description
<b>Enabled</b>	When the operator chooses an action that leads to a configuration change, he is prompted to enter the display password.
<b>Disabled</b>	When the operator chooses an action that leads to a configuration change, she is prompted to activate $\Leftarrow \Uparrow \Downarrow \Rightarrow$ . This is designed to protect against accidental changes to configuration. It is not a security measure.

2. If you enabled configuration security, enable or disable alert security as desired.

Option	Description
<b>Enabled</b>	If an alert is active, the alert symbol ⓘ is shown in the upper right corner of the display but the alert banner is not displayed. If the operator attempts to enter the alert menu, he is prompted to enter the display password.



Option	Description
<b>Disabled</b>	If an alert is active, the alert symbol ⓘ is shown in the upper right corner of the display and the alert banner is displayed automatically. No password or confirmation is required to enter the alert menu.

---

#### Restriction

You cannot disable configuration security and enable alert security.

- If you did not enable configuration security, alert security is disabled and cannot be enabled.
- If both configuration security and alert security are enabled, and you disable configuration security, alert security is disabled automatically.

3. Set the display password to the desired value.

- Default: AAAA
- Range: Any four alphanumeric characters

---

#### Important

If you enable configuration security but you do not change the display password, the transmitter will post a Configuration alert.

---

## 3.2 Work with configuration files

- [Save a configuration file using the display](#) (Section 3.2.1)
- [Save a configuration file using ProLink III](#) (Section 3.2.2)
- [Load a configuration file using the display](#) (Section 3.2.3)
- [Load a configuration file using ProLink III](#) (Section 3.2.4)
- [Restore the factory configuration](#) (Section 3.2.5)
- [Replicate a transmitter configuration](#) (Section 3.2.6)

### 3.2.1 Save a configuration file using the display

You can save the current transmitter configuration in two forms: a backup file and a replication file. You can save it to the SD card on your transmitter or to a USB drive.

**Backup files** Contain all parameters. They are used to restore the current device if required. The .spare extension is used to identify backup files.

**Replication files** Contain all parameters except the device-specific parameters, e.g., calibration factors or meter factors. They are used to replicate the transmitter configuration to other devices. The .xfer extension is used to identify replication files.

---

#### Tip

You can use a saved configuration file to change the nature of the transmitter quickly. This might be convenient if the transmitter is used for different applications or different process fluids.

---

## Prerequisites

If you are planning to use the USB drive, the service port must be enabled. It is enabled by default. However, if you need to enable it, choose Menu > Configuration > Security and set Service Port to On.

## Procedure

- To save the current configuration to the transmitter's SD card as a backup file:
  1. Choose Menu > Configuration > Save/Restore Config > Save Config to Memory.
  2. Enter the name for this configuration file.

The configuration file is saved to the transmitter's SD card as *yourname.spare*.

- To save the current configuration to a USB drive, as either a backup file or a replication file:
  1. Open the wiring compartment on the transmitter and insert a USB drive into the service port.

### CAUTION!

**If the transmitter is in a hazardous area, do not open the wiring compartment while the transmitter is powered up. Opening the wiring compartment while the transmitter is powered up could cause an explosion. Save or load configuration files using a method that does not require opening the wiring compartment.**

2. Choose Menu > USB Options > Transmitter --> USB Drive > Save Active Config to USB Drive.
3. Choose Backup or Replicate.
4. Enter the name for this configuration file.

The configuration file is saved to the USB drive as *yourname.spare* or *yourname.xfer*.

- To copy a configuration file from the transmitter's SD card to the USB drive:
  1. Open the wiring compartment on the transmitter and insert a USB drive into the service port.

### CAUTION!

**If the transmitter is in a hazardous area, do not open the wiring compartment while the transmitter is powered up. Opening the wiring compartment while the transmitter is powered up could cause an explosion. Save or load configuration files using a method that does not require opening the wiring compartment.**

2. Choose Menu > USB Options > Transmitter --> USB Drive > Transfer Config File to USB Drive.
3. Choose Backup or Replicate.
4. Select the file that you want to transfer.

The configuration file is copied to the USB drive, using its existing name.

## 3.2.2 Save a configuration file using ProLink III

You can save the current transmitter configuration in two forms: a backup file and a replication file. You can save it to the SD card on your transmitter or to your PC. Two PC file formats are supported: the Model 5700 format and the ProLink III format.

**Backup files** Contain all parameters. They are used to restore the current device if required. The .spare extension is used to identify backup files.

**Replication files** Contain all parameters except the device-specific parameters, e.g., calibration factors or meter factors. They are used to replicate the transmitter configuration to other devices. The .xfer extension is used to identify replication files.

---

### Tip

You can use a saved configuration file to change the nature of the transmitter quickly. This might be convenient if the transmitter is used for different applications or different process fluids.

---

### Note

When you use ProLink III format for configuration files, you can specify configuration parameters individually or by groups. Therefore, you can use this format for both backup and replication.

---

### Procedure

- To save the current configuration to the transmitter's SD card:
  1. Choose Device Tools > Configuration Transfer > Save Configuration.
  2. Select On my 5700 Device Internal Memory and click Next.
  3. Click Save.
  4. Enter the name for this configuration file.
  5. Set the file type.
    - To save a backup file, set the file type to Backup.
    - To save a replication file, set the file type to Transfer.
  6. Click Save.

The configuration file is saved to the transmitter's SD card as *yourname.spare* or *yourname.xfer*.

- To save the current configuration to your PC, in Model 5700 format:
  1. Choose Device Tools > Configuration Transfer > Save Configuration.
  2. Select On my computer in 5700 device file format and click Next.
  3. Click Save.
  4. Browse to the desired location, then enter the name for this configuration file.
  5. Set the file type.

- To save a backup file, set the file type to Backup.
  - To save a replication file, set the file type to Transfer.
6. Click Save.

The configuration file is saved to the specified location as *yourname.spare* or *yourname.xfer*.

- To save the current configuration to your PC, in ProLink III format:
  1. Choose Device Tools > Configuration Transfer > Save Configuration.
  2. Select On my computer in ProLink III file format and click Next.
  3. Click Save.
  4. Select the configuration parameters to be included in this file.
    - To save a backup file, select all parameters.
    - To save a replication file, select all parameters except device-specific parameters.
  5. Click Save.
  6. Browse to the desired location, then enter the name for this configuration file.
  7. Set the file type to ProLink configuration file.
  8. Click Start Save.

The configuration file is saved to the specified location as *yourname.pcfg*.

### 3.2.3 Load a configuration file using the display

You can load a configuration file to the transmitter's working memory or to the transmitter's SD card. You can load either a backup file or a replication file.

**Backup files** Contain all parameters. They are used to restore the current device if required. The *.spare* extension is used to identify backup files.

**Replication files** Contain all parameters except the device-specific parameters, e.g., calibration factors or meter factors. They are used to replicate the transmitter configuration to other devices. The *.xfer* extension is used to identify replication files.

#### Prerequisites

You must have a backup file or a replication file available for use.

If you are planning to use the USB drive, the service port must be enabled. It is enabled by default. However, if you need to enable it, choose Menu > Configuration > Security and set Service Port to On.

#### Procedure

- To load either a backup file or a replication file from the transmitter's SD card:
  1. Choose Menu > Configuration > Save/Restore Config > Restore Config from Memory.
  2. Select Backup or Replicate.

3. Select the file that you want to load.

The file is loaded to working memory and becomes active immediately.

- To load a either a backup file or a replication file from a USB drive:
  1. Open the wiring compartment on the transmitter and insert the USB drive containing the backup file or replication file into the service port.

#### CAUTION!

**If the transmitter is in a hazardous area, do not open the wiring compartment while the transmitter is powered up. Opening the wiring compartment while the transmitter is powered up could cause an explosion. Save or load configuration files using a method that does not require opening the wiring compartment.**

2. Choose Menu > USB Options > USB Drive --> Transmitter > Upload Configuration File.
3. Select Backup or Replicate.
4. Select the file that you want to load.
5. Choose Yes or No when prompted to apply the settings.
  - Yes: The file is loaded to working memory and becomes active immediately.
  - No: The file is loaded to the transmitter's SD card but not to working memory. You can load it from the SD card to working memory at a later time.

## 3.2.4 Load a configuration file using ProLink III

You can load a configuration file to the transmitter's working memory. You can load a backup file or a replication file. Two PC file formats are supported: the Model 5700 format and the ProLink III format.

**Backup files** Contain all parameters. They are used to restore the current device if required. The .spare extension is used to identify backup files.

**Replication files** Contain all parameters except the device-specific parameters, e.g., calibration factors or meter factors. They are used to replicate the transmitter configuration to other devices. The .xfer extension is used to identify replication files.

---

#### Tip

You can use a saved configuration file to change the nature of the transmitter quickly. This might be convenient if the transmitter is used for different applications or different process fluids.

---

#### Note

When you use ProLink III format for configuration files, you can specify configuration parameters individually or by groups. Therefore, you can use this format for both backup and replication.

---

#### Procedure

- To load a backup file or replication file from the transmitter's SD card:

1. Choose Device Tools > Configuration Transfer > Load Configuration.
2. Select On my 5700 Device Internal Memory and click Next.
3. Click Restore.
4. Set the file type.
  - To load a backup file, set the file type to Backup.
  - To load a replication file, set the file type to Transfer.
5. Select the file that you want to load and click Load.

The parameters are written to working memory, and the new settings become effectively immediately.

- To load a backup file or replication file in Model 5700 format from the PC:

1. Choose Device Tools > Configuration Transfer > Load Configuration.
2. Select On my computer in 5700 device file format and click Next.
3. Click Restore.
4. Set the file type.
  - To load a backup file, set the file type to Backup.
  - To load a replication file, set the file type to Transfer.
5. Navigate to the file you want to load, and select it.

The parameters are written to working memory, and the new settings become effectively immediately.

- To load a file in ProLink III format from the PC:

1. Choose Device Tools > Configuration Transfer > Load Configuration.
2. Select On my computer in ProLink III file format and click Next.
3. Select the parameters that you want to load.
4. Click Load.
5. Set the file type to Configuration file.
6. Navigate to the file you want to load, and select it.
7. Click Start Load.

The parameters are written to working memory, and the new settings become effectively immediately.

### 3.2.5 Restore the factory configuration

Display	Menu > Configuration > Save/Restore Configuration > Restore Config from Memory
ProLink III	Device Tools > Configuration Transfer > Restore Factory Configuration
Web browser	Service Tool > Download Device Files > Factory Config File (download only, no restoration)

### Overview

A file containing the factory configuration is always saved in the transmitter's internal memory, and is available for use.

This action is typically used for error recovery or for repurposing a transmitter.

If you restore the factory configuration, the real-time clock, the audit trail, the historian, and other logs are not reset.

---

#### Note

Using a web browser, you can download the factory (.cfg) configuration file and view it with a text editor, but you must use ProLink III or the display to restore the factory configuration.

---

## 3.2.6 Replicate a transmitter configuration

Replicating a transmitter configuration is a fast method to set up similar or identical measurement points.

1. Configure a transmitter and verify its operation and performance.
2. Use any available method to save a replication file from that transmitter.
3. Use any available method to load the replication file to another transmitter.
4. At the replicated transmitter, set device-specific parameters and perform device-specific procedures:
  - a. Set the clock.
  - b. Set the tag, long tag, Modbus address, and related parameters.
  - c. Characterize the transmitter.
  - d. Perform zero validation and take any recommended actions.
  - e. Perform loop tests and take any recommended actions, including mA output trim.
  - f. Use sensor simulation to verify transmitter response.
5. At the replicated transmitter, make any other configuration changes.
6. Follow your standard procedures to ensure that the replicated transmitter is performing as desired.

#### Related information

[Save a configuration file using the display](#)  
[Save a configuration file using ProLink III](#)  
[Load a configuration file using the display](#)  
[Load a configuration file using ProLink III](#)

# 4 Configure process measurement

## Topics covered in this chapter:

- [Configure Sensor Flow Direction Arrow](#)
- [Configure mass flow measurement](#)
- [Configure volume flow measurement for liquid applications](#)
- [Configure gas standard volume \(GSV\) flow measurement](#)
- [Configure density measurement](#)
- [Configure temperature measurement](#)
- [Configure Pressure Measurement Unit](#)
- [Configure Velocity Measurement Unit](#)

## 4.1 Configure Sensor Flow Direction Arrow

Display	Menu > Configuration > Process Measurement > Flow Variables > Flow Direction
ProLink III	Device Tools > Configuration > Process Measurement > Flow > Sensor Direction
Web browser	Configuration > Process Measurement > Flow Variables > Sensor Direction

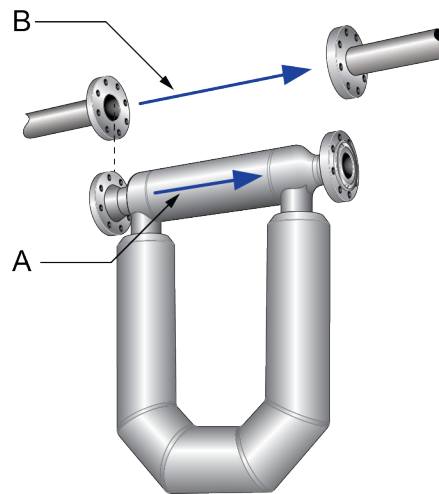
### Overview

Sensor Flow Direction Arrow is used to accommodate installations in which the Flow arrow on the sensor does not match the majority of the process flow. This typically happens when the sensor is accidentally installed backwards.

Sensor Flow Direction Arrow interacts with mA Output Direction, Frequency Output Direction, and Totalizer Direction to control how flow is reported by the outputs and accumulated by the totalizers and inventories.

Sensor Flow Direction Arrow also affects how flow is reported on the transmitter display and via digital communications. This includes ProLink III, the Web browser, and all other user interfaces.



**Figure 4-1: Flow arrow on sensor**

- A. Flow arrow  
B. Actual flow direction

**Procedure**

Set Sensor Flow Direction Arrow as appropriate.

Option	Description
With Arrow	The majority of flow through the sensor matches the Flow arrow on the sensor. Actual forward flow is processed as forward flow.
Against Arrow	The majority of flow through the sensor is opposite to the Flow arrow on the sensor. Actual forward flow is processed as reverse flow.

**Tip**

Micro Motion sensors are bidirectional. Measurement accuracy is not affected by actual flow direction or the setting of Sensor Flow Direction Arrow. Sensor Flow Direction Arrow controls only whether actual flow is processed as forward flow or reverse flow.

**Related information**

[Configure mA Output Direction](#)  
[Configure Frequency Output Direction](#)  
[Configure Discrete Output Source](#)  
[Configure totalizers and inventories](#)  
[Effect of Sensor Flow Direction Arrow on digital communications](#)

## 4.2 Configure mass flow measurement

The mass flow measurement parameters control how mass flow is measured and reported. The mass total and mass inventory are derived from the mass flow data.

- [Configure Mass Flow Measurement Unit](#) (Section 4.2.1)
- [Configure Flow Damping](#) (Section 4.2.2)
- [Configure Mass Flow Cutoff](#) (Section 4.2.3)

## 4.2.1 Configure Mass Flow Measurement Unit

Display	Menu > Configuration > Process Measurement > Flow Variables > Mass Flow Settings > Units
ProLink III	Device Tools > Configuration > Process Measurement > Flow > Mass Flow Rate Unit
Web browser	Configuration > Process Measurement > Flow Variables > Mass Flow Rate Unit

### Overview

Mass Flow Measurement Unit specifies the unit of measure that will be used for the mass flow rate. The default unit used for mass total and mass inventory is derived from this unit.

### Procedure

Set Mass Flow Measurement Unit to the unit you want to use.

- Default: g/sec (grams per second)

### Tip

If the measurement unit you want to use is not available, you can define a special measurement unit.

## Options for Mass Flow Measurement Unit

The transmitter provides a standard set of measurement units for Mass Flow Measurement Unit, plus one user-defined special measurement unit. Different communications tools may use different labels for the units.

**Table 4-1: Options for Mass Flow Measurement Unit**

Unit description	Label		
	Display	ProLink III	Web browser
Grams per second	gram/s	g/sec	g/sec
Grams per minute	gram/min	g/min	g/min
Grams per hour	gram/h	g/hr	g/hr
Kilograms per second	kg/s	kg/sec	kg/sec
Kilograms per minute	kg/min	kg/min	kg/min
Kilograms per hour	kg/h	kg/hr	kg/hr
Kilograms per day	kg/d	kg/day	kg/day
Metric tons per minute	MetTon/min	mTon/min	mTon/min
Metric tons per hour	MetTon/h	mTon/hr	mTon/hr
Metric tons per day	MetTon/d	mTon/day	mTon/day

**Table 4-1: Options for Mass Flow Measurement Unit (continued)**

Unit description	Label		
	Display	ProLink III	Web browser
Pounds per second	lb/s	lbs/sec	lbs/sec
Pounds per minute	lb/min	lbs/min	lbs/min
Pounds per hour	lb/h	lbs/hr	lbs/hr
Pounds per day	lb/d	lbs/day	lbs/day
Short tons (2000 pounds) per minute	STon/min	sTon/min	sTon/min
Short tons (2000 pounds) per hour	STon/h	sTon/hr	sTon/hr
Short tons (2000 pounds) per day	STon/d	sTon/day	sTon/day
Long tons (2240 pounds) per hour	LTon/h	lTon/hr	lTon/hr
Long tons (2240 pounds) per day	LTon/d	lTon/day	lTon/day
Special unit	SPECIAL	Special	Special

## Define a special measurement unit for mass flow

Display	Menu > Configuration > Process Measurement > Flow Variables > Mass Flow Settings > Units > SPECIAL
ProLink III	Device Tools > Configuration > Process Measurement > Flow > Mass Flow Rate Unit > Special
Web browser	Configuration > Process Measurement > Flow Variables > Mass Flow Rate Unit > Special

### Procedure

- Specify Base Mass Unit.  
Base Mass Unit is the existing mass unit that the special unit will be based on.
- Specify Base Time Unit.  
Base Time Unit is the existing time unit that the special unit will be based on.
- Calculate Mass Flow Conversion Factor as follows:
  - $x \text{ base units} = y \text{ special units}$
  - $\text{Mass Flow Conversion Factor} = x \div y$
- Enter Mass Flow Conversion Factor.  
The original mass flow rate value is divided by this value.
- Set Mass Flow Label to the name you want to use for the mass flow unit.
- Set Mass Total Label to the name you want to use for the mass total and mass inventory unit.

The special measurement unit is stored in the transmitter. You can configure the transmitter to use the special measurement unit at any time.

**Example: Defining a special measurement unit for mass flow**

You want to measure mass flow in ounces per second (oz/sec).

1. Set Base Mass Unit to Pounds (lb).
2. Set Base Time Unit to Seconds (sec).
3. Calculate Mass Flow Conversion Factor:
  - a.  $1 \text{ lb/sec} = 16 \text{ oz/sec}$
  - b.  $\text{Mass Flow Conversion Factor} = 1 \div 16 = 0.0625$
4. Set Mass Flow Conversion Factor to 0.0625.
5. Set Mass Flow Label to oz/sec.
6. Set Mass Total Label to oz.

## 4.2.2 Configure Flow Damping

Display	Menu > Configuration > Process Measurement > Flow Variables > Flow Damping
ProLink III	Device Tools > Configuration > Process Measurement > Flow > Flow Rate Damping
Web browser	Configuration > Process Measurement > Flow Variables > Flow Rate Damping

**Overview**

Flow Damping controls the amount of damping that will be applied to the measured mass flow rate. It affects flow rate process variables that are based on the measured mass flow rate. This includes volume flow rate and gas standard volume flow rate.

Flow Damping also affects specialized flow rate variables such as temperature-corrected volume flow rate (API referral) and net mass flow rate (concentration measurement).

Damping is used to smooth out small, rapid fluctuations in process measurement. The damping value specifies the time period, in seconds, over which the transmitter will spread changes in the process variable. At the end of the interval, the internal value of the process variable (the damped value) will reflect 63% of the change in the actual measured value.

**Procedure**

Set Flow Damping to the value you want to use.

- Default: 0.64 seconds
- Range: 0 seconds to 60 seconds

**Tips**

- A high damping value makes the process variable appear smoother because the reported value changes slowly.

- A low damping value makes the process variable appear more erratic because the reported value changes more quickly.
- The combination of a high damping value and rapid, large changes in flow rate can result in increased measurement error.
- Whenever the damping value is non-zero, the reported measurement will lag the actual measurement because the reported value is being averaged over time.
- In general, lower damping values are preferable because there is less chance of data loss, and less lag time between the actual measurement and the reported value.
- For gas applications, Micro Motion recommends setting Flow Damping to 2.56 or higher.

## Effect of Flow Damping on volume measurement

Flow Damping affects volume measurement for liquid volume data. Flow Damping also affects volume measurement for gas standard volume data. The transmitter calculates volume data from the damped mass flow data.

## Interaction between Flow Damping and mA Output Damping

In some circumstances, both Flow Damping and mA Output Damping are applied to the reported mass flow value.

Flow Damping controls the rate of change in flow process variables. mA Output Damping controls the rate of change reported via the mA output. If mA Output Process Variable is set to Mass Flow Rate, and both Flow Damping and mA Output Damping are set to non-zero values, flow damping is applied first, and the added damping calculation is applied to the result of the first calculation.

### 4.2.3 Configure Mass Flow Cutoff

Display	Menu > Configuration > Process Measurement > Flow Variables > Mass Flow Settings > Low Flow Cutoff
ProLink III	Device Tools > Configuration > Process Measurement > Flow > Mass Flow Cutoff
Web browser	Configuration > Process Measurement > Flow Variables > Mass Flow Cutoff

#### Overview

Mass Flow Cutoff specifies the lowest mass flow rate that will be reported as measured. All mass flow rates below this cutoff will be reported as 0.

#### Procedure

Set Mass Flow Cutoff to the value you want to use.

- Default: A sensor-specific value set at the factory. If your transmitter was ordered without a sensor, the default may be 0.0.
- Recommendation: 0.05% of maximum flow rate of the attached sensor. See the sensor specifications.

---

### **Important**

Do not use your meter for measurement with Mass Flow Cutoff set to 0.0 g/sec. Ensure that Mass Flow Cutoff is set to the value that is appropriate for your sensor.

---

## **Effect of Mass Flow Cutoff on volume measurement**

Mass Flow Cutoff does not affect volume measurement. Volume data is calculated from the actual mass data rather than the reported value.

## **Interaction between Mass Flow Cutoff and AO Cutoff**

Mass Flow Cutoff defines the lowest mass flow value that the transmitter will report as measured. AO Cutoff defines the lowest flow rate that will be reported via the mA output. If mA Output Process Variable is set to Mass Flow Rate, the mass flow rate reported via the mA output is controlled by the higher of the two cutoff values.

Mass Flow Cutoff affects all reported values and values used in other transmitter behavior (e.g., events defined on mass flow).

AO Cutoff affects only mass flow values reported via the mA output.

### **Example: Cutoff interaction with AO Cutoff lower than Mass Flow Cutoff**

Configuration:

- mA Output Process Variable: Mass Flow Rate
- Frequency Output Process Variable: Mass Flow Rate
- AO Cutoff: 10 g/sec
- Mass Flow Cutoff: 15 g/sec

Result: If the mass flow rate drops below 15 g/sec, mass flow will be reported as 0, and 0 will be used in all internal processing.

### **Example: Cutoff interaction with AO Cutoff higher than Mass Flow Cutoff**

Configuration:

- mA Output Process Variable: Mass Flow Rate
- Frequency Output Process Variable: Mass Flow Rate
- AO Cutoff: 15 g/sec
- Mass Flow Cutoff: 10 g/sec

Result:

- If the mass flow rate drops below 15 g/sec but not below 10 g/sec:
  - The mA output will report zero flow.
  - The frequency output will report the actual flow rate, and the actual flow rate will be used in all internal processing.
- If the mass flow rate drops below 10 g/sec, both outputs will report zero flow, and 0 will be used in all internal processing.

## 4.3 Configure volume flow measurement for liquid applications

The volume flow measurement parameters control how liquid volume flow is measured and reported. The volume total and volume inventory are derived from volume flow data.

---

### Restriction

You cannot implement both liquid volume flow and gas standard volume flow at the same time. You must choose one or the other.

---

- [Configure Volume Flow Type for liquid applications](#) (Section 4.3.1)
- [Configure Volume Flow Measurement Unit for liquid applications](#) (Section 4.3.2)
- [Configure Volume Flow Cutoff](#) (Section 4.3.3)

### 4.3.1 Configure Volume Flow Type for liquid applications

Display	Menu > Configuration > Process Measurement > Flow Variables > Volume Flow Settings > Flow Type > Liquid
ProLink III	Device Tools > Configuration > Process Measurement > Flow > Volume Flow Type > Liquid Volume
Web browser	Configuration > Process Measurement > Flow Variables > Volume Flow Type > Liquid Volume

### Overview

Volume Flow Type controls whether liquid or gas standard volume flow measurement will be used.

---

### Restriction

If you are using the API referral application, you must set Volume Flow Type to Liquid. Gas standard volume measurement is incompatible with the API referral application.

---

### Restriction

If you are using the concentration measurement application, you must set Volume Flow Type to Liquid. Gas standard volume measurement is incompatible with the concentration measurement application.

---

### Procedure

Set Volume Flow Type to Liquid.

## 4.3.2 Configure Volume Flow Measurement Unit for liquid applications

Display	Menu > Configuration > Process Measurement > Flow Variables > Volume Flow Settings > Units
ProLink III	Device Tools > Configuration > Process Measurement > Flow > Volume Flow Rate Unit
Web browser	Configuration > Process Measurement > Flow Variables > Volume Flow Rate Unit

### Overview

Volume Flow Measurement Unit specifies the unit of measurement that will be displayed for the volume flow rate. The unit used for the volume total and volume inventory is based on this unit.

### Prerequisites

Before you configure Volume Flow Measurement Unit, be sure that Volume Flow Type is set to Liquid.

### Procedure

Set Volume Flow Measurement Unit to the unit you want to use.

- Default: l/sec (liters per second)

### Tip

If the measurement unit you want to use is not available, you can define a special measurement unit.

## Options for Volume Flow Measurement Unit for liquid applications

The transmitter provides a standard set of measurement units for Volume Flow Measurement Unit, plus one user-defined measurement unit. Different communications tools may use different labels for the units.

**Table 4-2: Options for Volume Flow Measurement Unit for liquid applications**

Unit description	Label		
	Display	ProLink III	Web browser
Cubic feet per second	ft3/s	ft3/sec	ft3/sec
Cubic feet per minute	ft3/min	ft3/min	ft3/min
Cubic feet per hour	ft3/h	ft3/hr	ft3/hr
Cubic feet per day	ft3/d	ft3/day	ft3/day
Cubic meters per second	m3/s	m3/sec	m3/sec
Cubic meters per minute	m3/min	m3/min	m3/min
Cubic meters per hour	m3/h	m3/hr	m3/hr



**Table 4-2: Options for Volume Flow Measurement Unit for liquid applications (continued)**

Unit description	Label		
	Display	ProLink III	Web browser
Cubic meters per day	m3/d	m3/day	m3/day
U.S. gallons per second	gal/s	US gal/sec	US gal/sec
U.S. gallons per minute	gal/m	US gal/min	US gal/min
U.S. gallons per hour	gal/h	US gal/hr	US gal/hr
U.S. gallons per day	gal/d	US gal/day	US gal/day
Million U.S. gallons per day	MMgal/d	mil US gal/day	mil US gal/day
Liters per second	L/s	l/sec	l/sec
Liters per minute	L/min	l/min	l/min
Liters per hour	L/h	l/hr	l/hr
Million liters per day	MML/d	mil l/day	mil l/day
Imperial gallons per second	Impgal/s	Imp gal/sec	Imp gal/sec
Imperial gallons per minute	Impgal/m	Imp gal/min	Imp gal/min
Imperial gallons per hour	Impgal/h	Imp gal/hr	Imp gal/hr
Imperial gallons per day	Impgal/d	Imp gal/day	Imp gal/day
Barrels per second <sup>(1)</sup>	bbl/s	barrels/sec	barrels/sec
Barrels per minute#unique_75/OilBarrel2	bbl/min	barrels/min	barrels/min
Barrels per hour#unique_75/OilBarrel2	bbl/h	barrels/hr	barrels/hr
Barrels per day#unique_75/OilBarrel2	bbl/d	barrels/day	barrels/day
Beer barrels per second <sup>(2)</sup>	Beer bbl/s	Beer barrels/sec	Beer barrels/sec
Beer barrels per minute#unique_75/BeerBarrel2	Beer bbl/min	Beer barrels/min	Beer barrels/min
Beer barrels per hour#unique_75/BeerBarrel2	Beer bbl/h	Beer barrels/hr	Beer barrels/hr
Beer barrels per day#unique_75/BeerBarrel2	Beer bbl/d	Beer barrels/day	Beer barrels/day
Special unit	SPECIAL	Special	Special

(1) Unit based on oil barrels (42 U.S. gallons).

(2) Unit based on U.S. beer barrels (31 U.S. gallons).

## Define a special measurement unit for volume flow

Display	Menu > Configuration > Process Measurement > Flow Variables > Volume Flow Settings > Units > SPECIAL
ProLink III	Device Tools > Configuration > Process Measurement > Flow > Volume Flow Rate Unit > Special
Web browser	Configuration > Process Measurement > Flow Variables > Volume Flow Rate Unit > Special

### Procedure

1. Specify Base Volume Unit.  
Base Volume Unit is the existing volume unit that the special unit will be based on.
2. Specify Base Time Unit.  
Base Time Unit is the existing time unit that the special unit will be based on.
3. Calculate Volume Flow Conversion Factor as follows:
  - a.  $x \text{ base units} = y \text{ special units}$
  - b.  $\text{Volume Flow Conversion Factor} = x \div y$
4. Enter Volume Flow Conversion Factor.  
The original volume flow rate value is divided by this conversion factor.
5. Set Volume Flow Label to the name you want to use for the volume flow unit.
6. Set Volume Total Label to the name you want to use for the volume total and volume inventory unit.

The special measurement unit is stored in the transmitter. You can configure the transmitter to use the special measurement unit at any time.

### Example: Defining a special measurement unit for volume flow

You want to measure volume flow in pints per second (pints/sec).

1. Set Base Volume Unit to Gallons (gal).
2. Set Base Time Unit to Seconds (sec).
3. Calculate the conversion factor:
  - a.  $1 \text{ gal/sec} = 8 \text{ pints/sec}$
  - b.  $\text{Volume Flow Conversion Factor} = 1 \div 8 = 0.1250$
4. Set Volume Flow Conversion Factor to 0.1250.
5. Set Volume Flow Label to pints/sec.
6. Set Volume Total Label to pints.

### 4.3.3 Configure Volume Flow Cutoff

Display	Menu > Configuration > Process Measurement > Flow Variables > Volume Flow Settings > Low Flow Cutoff
ProLink III	Device Tools > Configuration > Process Measurement > Flow > Volume Flow Cutoff
Web browser	Configuration > Process Measurement > Flow Variables > Volume Flow Cutoff

#### Overview

Volume Flow Cutoff specifies the lowest volume flow rate that will be reported as measured. All volume flow rates below this cutoff are reported as 0.

#### Procedure

Set Volume Flow Cutoff to the value you want to use.

- Default: 0.0 l/sec (liters per second)
- Range: 0 l/sec to  $x$  l/sec, where  $x$  is the sensor's flow calibration factor, in units of l/sec, multiplied by 0.2

#### Interaction between Volume Flow Cutoff and AO Cutoff

Volume Flow Cutoff defines the lowest liquid volume flow value that the transmitter will report as measured. AO Cutoff defines the lowest flow rate that will be reported via the mA output. If mA Output Process Variable is set to Volume Flow Rate, the volume flow rate reported via the mA output is controlled by the higher of the two cutoff values.

Volume Flow Cutoff affects both the volume flow values reported via the outputs and the volume flow values used in other transmitter behavior (e.g., events defined on the volume flow).

AO Cutoff affects only flow values reported via the mA output.

#### Example: Cutoff interaction with AO Cutoff lower than Volume Flow Cutoff

Configuration:

- mA Output Process Variable: Volume Flow Rate
- Frequency Output Process Variable: Volume Flow Rate
- AO Cutoff: 10 l/sec
- Volume Flow Cutoff: 15 l/sec

Result: If the volume flow rate drops below 15 l/sec, volume flow will be reported as 0, and 0 will be used in all internal processing.

#### Example: Cutoff interaction with AO Cutoff higher than Volume Flow Cutoff

Configuration:

- mA Output Process Variable: Volume Flow Rate

- Frequency Output Process Variable: Volume Flow Rate
- AO Cutoff: 15 l/sec
- Volume Flow Cutoff: 10 l/sec

**Result:**

- If the volume flow rate drops below 15 l/sec but not below 10 l/sec:
  - The mA output will report zero flow.
  - The frequency output will report the actual flow rate, and the actual flow rate will be used in all internal processing.
- If the volume flow rate drops below 10 l/sec, both outputs will report zero flow, and 0 will be used in all internal processing.

## 4.4 Configure gas standard volume (GSV) flow measurement

The gas standard volume (GSV) flow measurement parameters control how gas standard volume flow is measured and reported.

---

**Restriction**

You cannot implement both liquid volume flow and gas standard volume flow at the same time. You must choose one or the other.

---

- [Configure Volume Flow Type for gas applications](#) (Section 4.4.1)
- [Configure Standard Gas Density](#) (Section 4.4.2)
- [Configure Gas Standard Volume Flow Measurement Unit](#) (Section 4.4.3)
- [Configure Gas Standard Volume Flow Cutoff](#) (Section 4.4.4)

### 4.4.1 Configure Volume Flow Type for gas applications

Display	Menu > Configuration > Process Measurement > Flow Variables > Volume Flow Settings > Flow Type > Gas
ProLink III	Device Tools > Configuration > Process Measurement > Flow > Volume Flow Type > Gas Standard Volume
Web browser	Configuration > Process Measurement > Flow Variables > Volume Flow Type > Gas Standard Volume

**Overview**

Volume Flow Type controls whether liquid or gas standard volume flow measurement will be used.

**Restriction**

If you are using the API referral application, you must set Volume Flow Type to Liquid. Gas standard volume measurement is incompatible with the API referral application.

**Restriction**

If you are using the concentration measurement application, you must set Volume Flow Type to Liquid. Gas standard volume measurement is incompatible with the concentration measurement application.

**Procedure**

Set Volume Flow Type to Gas.

## 4.4.2 Configure Standard Gas Density

Display	Menu > Configuration > Process Measurement > Flow Variables > Volume Flow Settings > Standard Gas Density
ProLink III	Device Tools > Configuration > Process Measurement > Flow > Standard Density of Gas
Web browser	Configuration > Process Measurement > Flow Variables > Standard Density of Gas

**Overview**

Standard Gas Density is the density of your gas at reference temperature and reference pressure. This is often called *standard density* or *base density*. It is used to calculate the GSV flow rate from the mass flow rate.

**Procedure**

Set Standard Gas Density to the density of your gas at reference temperature and reference pressure.

You can use any reference temperature and reference pressure that you choose. It is not necessary to configure these values in the transmitter.

**Tip**

ProLink III provides a guided method that you can use to calculate the standard density of your gas, if you do not know it.

## 4.4.3 Configure Gas Standard Volume Flow Measurement Unit

Display	Menu > Configuration > Process Measurement > Flow Variables > Volume Flow Settings > Units
ProLink III	Device Tools > Configuration > Process Measurement > Flow > Gas Standard Volume Flow Unit
Web browser	Configuration > Process Measurement > Flow Variables > Gas Standard Volume Flow Unit

## Overview

Gas Standard Volume Flow Measurement Unit specifies the unit of measure that will be used for the gas standard volume (GSV) flow rate. The unit used for gas standard volume total and gas standard volume inventory is derived from this unit.

## Prerequisites

Before you configure Gas Standard Volume Flow Measurement Unit, be sure that Volume Flow Type is set to Gas Standard Volume.

## Procedure

Set Gas Standard Volume Flow Measurement Unit to the unit you want to use.

- Default: SCFM (Standard Cubic Feet per Minute)

---

## Tip

If the measurement unit you want to use is not available, you can define a special measurement unit.

---

## Options for Gas Standard Volume Flow Measurement Unit

The transmitter provides a standard set of measurement units for Gas Standard Volume Flow Measurement Unit, plus one user-defined special measurement unit. Different communications tools may use different labels for the units.

**Table 4-3: Options for Gas Standard Volume Measurement Unit**

Unit description	Label		
	Display	ProLink III	Web browser
Normal cubic meters per second	NCMS	Nm3/sec	Nm3/sec
Normal cubic meters per minute	NCMM	Nm3/min	Nm3/min
Normal cubic meters per hour	NCMH	Nm3/hr	Nm3/hr
Normal cubic meters per day	NCMD	Nm3/day	Nm3/day
Normal liter per second	NLPS	NLPS	NLPS
Normal liter per minute	NLPM	NLPM	NLPM
Normal liter per hour	NLPH	NLPH	NLPH
Normal liter per day	NLPD	NLPD	NLPD
Standard cubic feet per second	SCFS	SCFS	SCFS
Standard cubic feet per minute	SCFM	SCFM	SCFM
Standard cubic feet per hour	SCFH	SCFH	SCFH
Standard cubic feet per day	SCFD	SCFD	SCFD
Standard cubic meters per second	SCMS	Sm3/sec	Sm3/sec
Standard cubic meters per minute	SCMM	Sm3/min	Sm3/min
Standard cubic meters per hour	SCMH	Sm3/hr	Sm3/hr

**Table 4-3: Options for Gas Standard Volume Measurement Unit (continued)**

Unit description	Label		
	Display	ProLink III	Web browser
Standard cubic meters per day	SCMD	Sm3/day	Sm3/day
Standard liter per second	SLPS	SLPS	SLPS
Standard liter per minute	SLPM	SLPM	SLPM
Standard liter per hour	SLPH	SLPH	SLPH
Standard liter per day	SLPD	SLPD	SLPD
Special measurement unit	SPECIAL	Special	Special

## Define a special measurement unit for gas standard volume flow

Display	Menu > Configuration > Process Measurement > Flow Variables > Volume Flow Settings > Units > SPECIAL
ProLink III	Device Tools > Configuration > Process Measurement > Flow > Gas Standard Volume Flow Unit > Special
Web browser	Configuration > Process Measurement > Flow Variables > Gas Standard Volume Flow Unit > Special

### Procedure

- Specify Base Gas Standard Volume Unit.  
Base Gas Standard Volume Unit is the existing gas standard volume unit that the special unit will be based on.
- Specify Base Time Unit.  
Base Time Unit is the existing time unit that the special unit will be based on.
- Calculate Gas Standard Volume Flow Conversion Factor as follows:
  - $x \text{ base units} = y \text{ special units}$
  - Gas Standard Volume Flow Conversion Factor =  $x \div y$
- Enter the Gas Standard Volume Flow Conversion Factor.  
The original gas standard volume flow value is divided by this conversion factor.
- Set Gas Standard Volume Flow Label to the name you want to use for the gas standard volume flow unit.
- Set Gas Standard Volume Total Label to the name you want to use for the gas standard volume total and gas standard volume inventory unit.

The special measurement unit is stored in the transmitter. You can configure the transmitter to use the special measurement unit at any time.

### Example: Defining a special measurement unit for gas standard volume flow

You want to measure gas standard volume flow in thousands of standard cubic feet per minute.

1. Set Base Gas Standard Volume Unit to SCFM.
2. Set Base Time Unit to minutes (min).
3. Calculate the conversion factor:
  - a. 1 thousands of standard cubic feet per minute = 1000 cubic feet per minute
  - b. Gas Standard Volume Flow Conversion Factor =  $1 \div 1000 = 0.001$
4. Set Gas Standard Volume Flow Conversion Factor to 0.001.
5. Set Gas Standard Volume Flow Label to KSCFM.
6. Set Gas Standard Volume Total Label to KSCF.

## 4.4.4 Configure Gas Standard Volume Flow Cutoff

Display	Menu > Configuration > Process Measurement > Flow Variables > Volume Flow Settings > Low Flow Cutoff
ProLink III	Device Tools > Configuration > Process Measurement > Flow > Gas Standard Volume Flow Cutoff
Web browser	Configuration > Process Measurement > Flow Variables > Gas Standard Volume Flow Cutoff

### Overview

Gas Standard Volume Flow Cutoff specifies the lowest gas standard volume flow rate that will be reported as measured. All gas standard volume flow rates below this cutoff will be reported as 0.

### Procedure

Set Gas Standard Volume Flow Cutoff to the value you want to use.

- Default: 0.0
- Range: 0.0 to any positive value

## Interaction between Gas Standard Volume Flow Cutoff and AO Cutoff

Gas Standard Volume Flow Cutoff defines the lowest Gas Standard Volume flow value that the transmitter will report as measured. AO Cutoff defines the lowest flow rate that will be reported via the mA output. If mA Output Process Variable is set to Gas Standard Volume Flow Rate, the volume flow rate reported via the mA output is controlled by the higher of the two cutoff values.

Gas Standard Volume Flow Cutoff affects both the gas standard volume flow values reported via outputs and the gas standard volume flow values used in other transmitter behavior (e.g., events defined on gas standard volume flow).



AO Cutoff affects only flow values reported via the mA output.

**Example: Cutoff interaction with AO Cutoff lower than Gas Standard Volume Flow Cutoff**

Configuration:

- mA Output Process Variable for the primary mA output: Gas Standard Volume Flow Rate
- Frequency Output Process Variable: Gas Standard Volume Flow Rate
- AO Cutoff for the primary mA output: 10 SLPM (standard liters per minute)
- Gas Standard Volume Flow Cutoff: 15 SLPM

Result: If the gas standard volume flow rate drops below 15 SLPM, the volume flow will be reported as 0, and 0 will be used in all internal processing.

**Example: Cutoff interaction with AO Cutoff higher than Gas Standard Volume Flow Cutoff**

Configuration:

- mA Output Process Variable for the primary mA output: Gas Standard Volume Flow Rate
- Frequency Output Process Variable: Gas Standard Volume Flow Rate
- AO Cutoff for the primary mA output: 15 SLPM (standard liters per minute)
- Gas Standard Volume Flow Cutoff: 10 SLPM

Result:

- If the gas standard volume flow rate drops below 15 SLPM but not below 10 SLPM:
  - The primary mA output will report zero flow.
  - The frequency output will report the actual flow rate, and the actual flow rate will be used in all internal processing.
- If the gas standard volume flow rate drops below 10 SLPM, both outputs will report zero flow, and 0 will be used in all internal processing.

## 4.5 Configure density measurement

The density measurement parameters control how density is measured and reported. Density measurement is used with mass flow rate measurement to determine liquid volume flow rate.

- [Configure Density Measurement Unit](#) (Section 4.5.1)
- [Configure Density Damping](#) (Section 4.5.2)
- [Configure Density Cutoff](#) (Section 4.5.3)

## 4.5.1 Configure Density Measurement Unit

Display	Menu > Configuration > Process Measurement > Density > Units
ProLink III	Device Tools > Configuration > Process Measurement > Density > Density Unit
Web browser	Configuration > Process Measurement > Density > Density Unit

### Overview

Density Measurement Unit controls the measurement units that will be used in density calculations and reporting.

### Restriction

If the API referral application is enabled, you cannot change the density measurement unit here. The density measurement unit is controlled by the API table selection.

### Procedure

Set Density Measurement Unit to the option you want to use.

- Default: g/cm<sup>3</sup> (grams per cubic centimeter)

### Options for Density Measurement Unit

The transmitter provides a standard set of measurement units for Density Measurement Unit. Different communications tools may use different labels.

**Table 4-4: Options for Density Measurement Unit**

Unit description	Label		
	Display	ProLink III	Web browser
Specific gravity <sup>(1)</sup>	SGU	SGU	SGU
Grams per cubic centimeter	g/cm3	g/cm3	g/cm3
Grams per liter	g/L	g/l	g/l
Grams per milliliter	g/mL	g/ml	g/ml
Kilograms per liter	kg/L	kg/l	kg/l
Kilograms per cubic meter	kg/m3	kg/m3	kg/m3
Pounds per U.S. gallon	lb/gal	lbs/USgal	lb/USgal
Pounds per cubic foot	lb/ft3	lbs/ft3	lb/ft3
Pounds per cubic inch	lb/in3	lbs/in3	lb/in3
Degrees API	API	API	°API

**Table 4-4: Options for Density Measurement Unit (continued)**

Unit description	Label		
	Display	ProLink III	Web browser
Short ton per cubic yard	STon/yd3	sT/yd3	ST/yd3

(1) Non-standard calculation. This value represents line density divided by the density of water at 60 °F.

## 4.5.2 Configure Density Damping

Display	Menu > Configuration > Process Measurement > Density > Damping
ProLink III	Device Tools > Configuration > Process Measurement > Density > Density Damping
Web browser	Configuration > Process Measurement > Density > Density Damping

### Overview

Density Damping controls the amount of damping that will be applied to density data.

Damping is used to smooth out small, rapid fluctuations in process measurement. The damping value specifies the time period, in seconds, over which the transmitter will spread changes in the process variable. At the end of the interval, the internal value of the process variable (the damped value) will reflect 63% of the change in the actual measured value.

### Procedure

Set Density Damping to the desired value.

- Default: 1.28 seconds
- Range: 0.0 to 60 seconds

### Tips

- A high damping value makes the process variable appear smoother because the reported value changes slowly.
- A low damping value makes the process variable appear more erratic because the reported value changes more quickly.
- The combination of a high damping value and rapid, large changes in density can result in increased measurement error.
- Whenever the damping value is non-zero, the damped value will lag the actual measurement because the damped value is being averaged over time.
- In general, lower damping values are preferable because there is less chance of data loss, and less lag time between the actual measurement and the damped value.

## Effect of Density Damping on volume measurement

Density Damping affects liquid volume measurement. Liquid volume values are calculated from the damped density value rather than the measured density value. Density Damping does not affect gas standard volume measurement.

## Interaction between Density Damping and mA Output Damping

When the mA output is configured to report density, both Density Damping and mA Output Damping are applied to the reported density value.

Density Damping controls the rate of change in the value of the process variable in transmitter memory. mA Output Damping controls the rate of change reported via the mA output.

If mA Output Source is set to Density, and both Density Damping and mA Output Damping are set to non-zero values, density damping is applied first, and the mA output damping calculation is applied to the result of the first calculation. This value is reported over the mA output.

### 4.5.3 Configure Density Cutoff

Display	Menu > Configuration > Process Measurement > Density > Cutoff
ProLink III	Device Tools > Configuration > Process Measurement > Density > Density Cutoff
Web browser	Configuration > Process Measurement > Density > Density Cutoff

#### Overview

Density Cutoff specifies the lowest density value that will be reported as measured. All density values below this cutoff will be reported as 0.

#### Procedure

Set Density Cutoff to the value you want to use.

- Default: 0.2 g/cm<sup>3</sup>
- Range: 0.0 g/cm<sup>3</sup> to 0.5 g/cm<sup>3</sup>

## Effect of Density Cutoff on volume measurement

Density Cutoff affects liquid volume measurement. If the density value goes below Density Cutoff, the volume flow rate is reported as 0. Density Cutoff does not affect gas standard volume measurement. Gas standard volume values are always calculated from the value configured for Standard Gas Density.

## 4.6 Configure temperature measurement

The temperature measurement parameters control how temperature data is processed. Temperature data is used in several different ways, including temperature compensation, API referral, and concentration measurement.

- [Configure Temperature Measurement Unit](#) (Section 4.6.1)
- [Configure Temperature Damping](#) (Section 4.6.2)

### 4.6.1 Configure Temperature Measurement Unit

Display	Menu > Configuration > Process Measurement > Temperature > Units
ProLink III	Device Tools > Configuration > Process Measurement > Temperature > Temperature Unit
Web browser	Configuration > Process Measurement > Temperature > Temperature Unit

#### Overview

Temperature Measurement Unit specifies the unit that will be used for temperature measurement.

#### Procedure

Set Temperature Measurement Unit to the option you want to use.

- Default: °C (Celsius)

#### Options for Temperature Measurement Unit

The transmitter provides a standard set of units for Temperature Measurement Unit. Different communications tools may use different labels for the units.

**Table 4-5: Options for Temperature Measurement Unit**

Unit description	Label		
	Display	ProLink III	Web browser
Degrees Celsius	°C	°C	°C
Degrees Fahrenheit	°F	°F	°F
Degrees Rankine	°R	°R	°R
Kelvin	°K	°K	°K

## 4.6.2 Configure Temperature Damping

Display	Menu > Configuration > Process Measurement > Temperature > Damping
ProLink III	Device Tools > Configuration > Process Measurement > Temperature > Temperature Damping
Web browser	Configuration > Process Measurement > Temperature > Temperature Damping

### Overview

Temperature Damping controls the amount of damping that will be applied to temperature data from the sensor. Temperature Damping is not applied to external temperature data.

Damping is used to smooth out small, rapid fluctuations in process measurement. The damping value specifies the time period, in seconds, over which the transmitter will spread changes in the process variable. At the end of the interval, the internal value of the process variable (the damped value) will reflect 63% of the change in the actual measured value.

### Procedure

Set Temperature Damping to the desired value.

- Default: 4.8 seconds
- Range: 0.0 to 80 seconds

### Tips

- A high damping value makes the process variable appear smoother because the reported value changes slowly.
- A low damping value makes the process variable appear more erratic because the reported value changes more quickly.
- The combination of a high damping value and rapid, large changes in temperature can result in increased measurement error.
- Whenever the damping value is non-zero, the damped value will lag the actual measurement because the damped value is being averaged over time.
- In general, lower damping values are preferable because there is less chance of data loss, and less lag time between the actual measurement and the damped value.

## Effect of Temperature Damping on process measurement

Temperature Damping affects all processes and algorithms that use temperature data from the internal sensor RTD.

### Temperature compensation

Temperature compensation adjusts process measurement to compensate for the effect of temperature on the sensor tubes.

### API referral

Temperature Damping affects API referral process variables only if the transmitter is configured to use temperature data from the sensor. If an external temperature value is used for API referral, Temperature Damping does not affect API referral process variables.

### Concentration measurement

Temperature Damping affects concentration measurement process variables only if the transmitter is configured to use temperature data from the sensor. If an external temperature value is used for concentration measurement, Temperature Damping does not affect concentration measurement process variables.

## 4.7 Configure Pressure Measurement Unit

Display	Menu > Configuration > Process Measurement > Pressure > Units
ProLink III	Device Tools > Configuration > Process Measurement > Pressure Compensation > Pressure Unit
Web browser	Configuration > Process Measurement > Pressure > Pressure Unit

### Overview

Pressure Measurement Unit controls the measurement unit used for pressure. This unit must match the unit used by the external pressure device.

Pressure data is used for pressure compensation and for API referral. The device does not measure pressure directly. You must set up a pressure input.

### Procedure

Set Pressure Measurement Unit to the desired unit.

- Default: psi

### Related information

[Set up the API referral application](#)

[Set up pressure compensation](#)

### 4.7.1 Options for Pressure Measurement Unit

The transmitter provides a standard set of measurement units for Pressure Measurement Unit. Different communications tools may use different labels for the units. In most applications, Pressure Measurement Unit should be set to match the pressure measurement unit used by the remote device.

**Table 4-6: Options for Pressure Measurement Unit**

Unit description	Label		
	Display	ProLink III	Web browser
Feet water @ 68 °F	ftH2O @68°F	Ft Water @ 68°F	Ft Water @68°F
Inches water @ 4 °C	inH2O @4°C	In Water @ 4°C	Not applicable
Inches water @ 60 °F	inH2O @60°F	In Water @ 60°F	Not applicable
Inches water @ 68 °F	inH2O @68°F	In Water @ 68°F	In Water @68°F
Millimeters water @ 4 °C	mmH2O @4°C	mm Water @ 4°C	Not applicable
Millimeters water @ 68 °F	mmH2O @68°F	mm Water @ 68°F	mm Water @68°F
Millimeters mercury @ 0 °C	mmHg @0°C	mm Mercury @ 0°C	mm Mercury @0°C
Inches mercury @ 0 °C	inHg @0°C	In Mercury @ 0°C	In Mercury @0°C
Pounds per square inch	psi	PSI	PSI
Bar	bar	bar	bar
Millibar	mbar	millibar	millibar
Grams per square centimeter	g/cm2	g/cm2	g/cm2
Kilograms per square centimeter	kg/cm2	kg/cm2	kg/cm2
Pascals	Pa	pascals	pascals
Kilopascals	kPA	Kilopascals	Kilopascals
Megapascals	mPA	Megapascals	Not applicable
Torr @ 0 °C	torr	Torr @ 0°C	Torr @0°C
Atmospheres	atm	atms	atms

## 4.8 Configure Velocity Measurement Unit

Display	Menu > Configuration > Process Measurement > Velocity > Units
ProLink III	Device Tools > Configuration > Process Measurement > Velocity > Unit
Web browser	Configuration > Process Measurement > Velocity > Unit

### Overview

Velocity Measurement Unit controls the measurement unit used to report velocity.

### Procedure

Set Velocity Measurement Unit to the desired unit.

- Default: m/sec



## 4.8.1 Options for Velocity Measurement Unit

The transmitter provides a standard set of measurement units for Velocity Measurement Unit. Different communications tools may use different labels.

**Table 4-7: Options for Velocity Measurement Unit**

Unit description	Label		
	Display	ProLink III	Web browser
Feet per minute	ft/min	ft/min	ft/min
Feet per second	ft/s	ft/sec	ft/s
Inches per minute	in/min	in/min	in/min
Inches per second	in/s	in/sec	in/s
Meters per hour	m/h	m/hr	m/h
Meters per second	m/s	m/sec	m/s

# 5 Configure process measurement applications

## Topics covered in this chapter:

- [Set up the API referral application](#)
- [Set up concentration measurement](#)

## 5.1 Set up the API referral application

The API referral application corrects line density to reference temperature and reference pressure according to American Petroleum Institute (API) standards. The resulting process variable is *referred density*.

---

### Restriction

The API referral application is not compatible with gas standard volume measurement (GSV).

---

- [Set up the API referral application using the display](#) (Section 5.1.1)
- [Set up the API referral application using ProLink III](#) (Section 5.1.2)
- [API tables supported by the API referral application](#) (Section 5.1.3)
- [Process variables from the API referral application](#) (Section 5.1.4)

### 5.1.1 Set up the API referral application using the display

This section guides you through the tasks required to set up and implement the API referral application.

1. [Enable the API referral application using the display](#)
2. [Configure API referral using the display](#)
3. [Set up temperature and pressure data for API referral using the display](#)

#### Enable the API referral application using the display

The API referral application must be enabled before you can perform any setup. If the API referral application was enabled at the factory, you do not need to enable it now.

#### Prerequisites

The API referral application must be licensed on your transmitter.

#### Procedure

1. Choose Menu > Configuration > Process Measurement.
2. Choose Flow Variables > Volume Flow Settings and ensure that Flow Type is set to Liquid.
3. Return to the Process Measurement menu.

4. If the concentration measurement application is displayed in the list, choose Concentration Measurement and ensure that Enabled/Disabled is set to Disabled.

The concentration measurement application and the API referral application cannot be enabled simultaneously.

5. Enable API referral.
  - a. Choose Menu > Configuration > Process Measurement > API Referral.
  - b. Set Enabled/Disabled to Enabled.

### Related information

[View the licensed features](#)

## Configure API referral using the display

The API referral parameters specify the API table, measurement units, and reference values to be used in referred density calculations.

### Prerequisites

You will need API documentation for the API table that you select.

Depending on your API table, you may need to know the thermal expansion coefficient (TEC) for your process fluid.

You must know the reference temperature and reference pressure that you want to use.

### Procedure

1. Choose Menu > Configure > Process Measurement > API Referral.
2. Set API Table to the API table that you want to use to calculate referred density.

Each API table is associated with a specific set of equations. Choose your API table based on your process fluid and the measurement unit that you want to use for referred density.

Your choice also determines the API table that will be used to calculate the correction factor for volume (CTPL or CTL).
3. Refer to the API documentation and confirm your table selection.
  - a. Verify that your process fluid falls within range for line density, line temperature, and line pressure.
  - b. Verify that the referred density range of the selected table is adequate for your application.
4. If you chose a C table, enter Thermal Expansion Coefficient (TEC) for your process fluid.
5. If required, set Reference Temperature to the temperature to which density will be corrected in referred density calculations.

The default reference temperature is determined by the selected API table.

6. If required, set Reference Pressure to the pressure to which density will be corrected in referred density calculations.

The default reference pressure is determined by the selected API table.

### Related information

*API tables supported by the API referral application*

## Set up temperature and pressure data for API referral using the display

The API referral application uses temperature and, optionally, pressure data in its calculations. You must decide how to provide this data, then perform the required configuration and setup.

Pressure data is required for the following API tables: All A tables, all B tables, all C tables, and all D tables. E tables do not require pressure data.

### Tip

Fixed values for temperature or pressure are not recommended. Using a fixed temperature or pressure value may produce inaccurate process data.

### Prerequisites

The pressure measurement must be gauge pressure, not atmospheric pressure.

The pressure device must use the pressure unit that is configured in the transmitter.

If you are using an external temperature device, it must use the temperature unit that is configured in the transmitter.

### Procedure

1. Choose the method to be used to supply temperature data, and perform the required setup.

Method	Description	Setup
Internal temperature	Temperature data from the on-board temperature sensor (RTD) will be used for all measurements and calculations. No external temperature data will be available.	<ol style="list-style-type: none"> <li>a. Choose Menu &gt; Configuration &gt; Process Measurement &gt; Temperature .</li> <li>b. Set External Temperature to Off.</li> </ol>
Digital communications	A host writes temperature data to the meter at appropriate intervals. This data will be available in addition to the internal temperature data.	<ol style="list-style-type: none"> <li>a. Choose Menu &gt; Configuration &gt; Process Measurement &gt; Temperature .</li> <li>b. Set External Temperature to On.</li> <li>c. Perform the necessary host programming and communications setup to write temperature data to the transmitter at appropriate intervals.</li> </ol>

2. (A, B, C, and D tables only) Choose the method to be used to supply pressure data, and perform the required setup.

Method	Description	Setup
Digital communications	A host writes pressure data to the meter at appropriate intervals.	<ol style="list-style-type: none"> <li>a. Choose Menu &gt; Configuration &gt; Process Measurement &gt; Pressure &gt; External Pressure.</li> <li>b. Set External Pressure to On.</li> <li>c. Perform the necessary host programming and communications setup to write pressure data to the transmitter at appropriate intervals.</li> </ol>

### Postrequisites

Choose Menu > Service Tools > Service Data > View Process Variables and verify the values for External Temperature and External Pressure.

**Need help?** If the value is not correct:

- Ensure that the external device and the meter are using the same measurement unit.
- For digital communications:
  - Verify that the host has access to the required data.

## 5.1.2 Set up the API referral application using ProLink III

This section guides you through the tasks required to set up and implement the API referral application.

1. [Enable the API referral application using ProLink III](#)
2. [Configure API referral using ProLink III](#)
3. [Set up temperature and pressure data for API referral using ProLink III](#)

### Enable the API referral application using ProLink III

The API referral application must be enabled before you can perform any setup. If the API referral application was enabled at the factory, you do not need to enable it now.

#### Prerequisites

The API referral application must be licensed on your transmitter.

#### Procedure

1. Choose Device Tools > Configuration > Process Measurement > Flow and ensure that Volume Flow Type is set to Liquid Volume.
2. Choose Device Tools > Configuration > Transmitter Options.
3. If the concentration measurement application is enabled, disable it and click Apply.

The concentration measurement application and the API referral application cannot be enabled simultaneously.

4. Enable API Referral and click Apply.

**Related information**

[View the licensed features](#)

## Configure API referral using ProLink III

The API referral parameters specify the API table, measurement units, and reference values to be used in referred density calculations.

**Prerequisites**

You will need API documentation for the API table that you select.

Depending on your API table, you may need to know the thermal expansion coefficient (TEC) for your process fluid.

You must know the reference temperature and reference pressure that you want to use.

**Procedure**

1. Choose Device Tools > Configuration > Process Measurement > API Referral.
2. Specify the API table to use to calculate referred density.

Each API table is associated with a specific set of equations.

- a. Set Process Fluid to the API table group that your process fluid belongs to.

API table group	Process fluids
A tables	Generalized crude and JP4
B tables	Generalized products: Gasoline, jet fuel, aviation fuel, kerosene, heating oils, fuel oils, diesel, gas oil
C tables	Liquids with a constant base density or known thermal expansion coefficient (TEC). You will be required to enter the TEC for your process fluid.
D tables	Lubricating oils
E tables	NGL (Natural Gas Liquids) and LPG (Liquid Petroleum Gas)

- b. Set Referred Density Measurement Unit to the measurement units that you want to use for referred density.
- c. Click Apply.

These parameters uniquely identify the API table to be used to calculate referred density. The selected API table is displayed, and the meter automatically changes the density unit, temperature unit, pressure unit, and reference pressure to match the API table.

Your choice also determines the API table that will be used to calculate the correction factor for volume (CTPL or CTL).

---

**Restriction**

Not all combinations are supported by the API referral application. See the list of API tables in this manual.

---

3. Refer to the API documentation and confirm your table selection.
  - a. Verify that your process fluid falls within range for line density, line temperature, and line pressure.
  - b. Verify that the referred density range of the selected table is adequate for your application.
4. If you chose a C table, enter Thermal Expansion Coefficient (TEC) for your process fluid.
5. Set Reference Temperature to the temperature to which density will be corrected in referred density calculations. If you choose Other, select the temperature measurement unit and enter the reference temperature.
6. Set Reference Pressure to the pressure to which density will be corrected in referred density calculations.

**Related information**

*[API tables supported by the API referral application](#)*

## Set up temperature and pressure data for API referral using ProLink III

The API referral application uses temperature and, optionally, pressure data in its calculations. You must decide how to provide this data, then perform the required configuration and setup.

Pressure data is required for the following API tables: All A tables, all B tables, all C tables, and all D tables. E tables do not require pressure data.

---

**Tip**

Fixed values for temperature or pressure are not recommended. Using a fixed temperature or pressure value may produce inaccurate process data.

---

**Prerequisites**

The pressure measurement must be gauge pressure, not atmospheric pressure.

The pressure device must use the pressure unit that is configured in the transmitter.

If you are using an external temperature device, it must use the temperature unit that is configured in the transmitter.

**Procedure**

1. Choose Device Tools > Configuration > Process Measurement > API Referral.
2. Choose the method to be used to supply temperature data, and perform the required setup.

Option	Description	Setup
Digital communications	A host writes temperature data to the meter at appropriate intervals. This data will be available in addition to the internal RTD temperature data.	<ol style="list-style-type: none"> <li>a. Set Line Temperature Source to Fixed Value or Digital Communications.</li> <li>b. Click Apply.</li> <li>c. Perform the necessary host programming and communications setup to write temperature data to the meter at appropriate intervals.</li> </ol>

### Postrequisites

If you are using external temperature data, verify the external temperature value displayed in the Inputs group on the ProLink III main window.

The current pressure value is displayed in the External Pressure field. Verify that the value is correct.

**Need help?** If the value is not correct:

- Ensure that the external device and the meter are using the same measurement unit.
- For digital communications:
  - Verify that the host has access to the required data.

## 5.1.3 API tables supported by the API referral application

The API tables listed here are supported by the API referral application.

## 5.1.4 Process variables from the API referral application

The API referral application calculates several different process variables according to API standards.

<b>CTPL</b>	Correction factor based on line temperature and line pressure. CTPL is applied when the API referral application is configured for an A, B, C, or D table.
<b>CTL</b>	Correction factor based on line temperature and pressure at saturation conditions. CTL is applied when the API referral application is configured for an E table.
<b>Referred density</b>	The measured density after CTL or CTPL has been applied.
<b>API volume flow</b>	The measured volume flow rate after CTL or CTPL has been applied. Also called <i>temperature-corrected volume flow</i> .
<b>Batch-weighted average density</b>	One density value is recorded for each unit of flow (e.g., barrel, liter). The average is calculated from these values. The average is reset when the API totalizer is reset. Not available unless a totalizer has been configured with Source set to Temperature-Corrected Volume Flow.



<b>Batch-weighted average temperature</b>	One temperature value is recorded for each unit of flow (e.g., barrel, liter). The average is calculated from these values. The average is reset when the API totalizer is reset. Not available unless a totalizer has been configured with Source set to Temperature-Corrected Volume Flow.
<b>API volume total</b>	The total API volume measured by the transmitter since the last API totalizer reset. Also called <i>temperature-corrected volume total</i> . Not available unless a totalizer has been configured with Source set to Temperature-Corrected Volume Flow.
<b>API volume inventory</b>	The total API volume measured by the transmitter since the last API inventory reset. Also called <i>temperature-corrected volume inventory</i> . Not available unless an inventory has been configured with Source set to Temperature-Corrected Volume Flow.

## 5.2 Set up concentration measurement

The concentration measurement application calculates concentration from line density and line temperature.

- [Preparing to set up concentration measurement](#) (Section 5.2.1)
- [Set up concentration measurement using the display](#) (Section 5.2.2)
- [Set up concentration measurement using ProLink III](#) (Section 5.2.3)
- [Set up concentration measurement using a web browser](#) (Section 5.2.4)

### 5.2.1 Preparing to set up concentration measurement

The procedure for setting up concentration measurement application depends on how your device was ordered and how you want to use the application. Review this information before you begin.

#### Requirements for concentration measurement

To use the concentration measurement application, the following conditions must be met:

- The concentration measurement application must be enabled.
- The API Referral application must be disabled.
- A concentration matrix must be loaded into one of the six slots on the transmitter.

---

#### Tip

In most cases, the concentration matrix that you ordered was loaded at the factory. If it was not, you have several options for loading a matrix. You can also build a matrix.

---

- Temperature Source must be configured and set up.
- One matrix must be selected as the active matrix (the matrix used for measurement).

### Requirements for matrices

A matrix is the set of coefficients used to convert process data to concentration, plus related parameters. The matrix can be saved as a file.

The transmitter requires all matrices to be in .matrix format. You can use ProLink III to load matrices in other formats:

- .edf (used by ProLink II)
- .xml (used by ProLink III)

The transmitter can store matrices in two locations:

- One of the six slots in memory
- The transmitter's SD card

Any matrix in a slot is available for use. In other words, it can be selected as the active matrix and used for measurement. Matrices on the SD card are not available for use. They must be loaded into a slot before they can be used for measurement.

All matrices in slots must use the same derived variable. Matrices on the SD card have no requirement for their derived variables to match.

See the following table for the different ways that you can load matrices.

**Table 5-1: Methods to load a matrix file**

Action	Display	ProLink III
Load matrix from USB drive to SD card	✓	
Load matrix from computer to slot		✓
Load matrix from SD card to slot	✓	✓

### Requirements for derived variables

A *derived variable* is the process variable that a concentration matrix measures. All other process variables are calculated from the derived variable. There are eight possible derived variables. Each matrix is designed for one specific derived variable.

The transmitter can store up to six matrices in six slots, and additional matrices on the transmitter's SD card. All matrices in the six slots must use the same derived variable. If you change the setting of Derived Variable, all matrices are deleted from the six slots. Any matrices on the transmitter's SD card are not affected.

---

#### Tip

Always ensure that Derived Variable is set correctly before loading matrices into slots.

---

### Derived variables and net flow rate

If you want the transmitter to calculate Net Mass Flow Rate, the derived variable must be set to Mass Concentration (Density). If your matrix is not designed for Mass Concentration (Density), contact Micro Motion for assistance.

If you want the transmitter to calculate Net Volume Flow Rate, the derived variable must be set to Volume Concentration (Density). If your matrix is not designed for Volume Concentration (Density), contact Micro Motion for assistance.

### Derived variables based on specific gravity

The following derived variables are based on specific gravity:

- Specific Gravity
- Concentration (Specific Gravity)
- Mass Concentration (Specific Gravity)
- Volume Concentration (Specific Gravity)

If you are using one of these derived variables, two additional parameters can be configured:

- Reference Temperature of Water (default setting: 4 °C)
- Water Density at Reference Temperature (default setting: 999.99988 kg/m<sup>3</sup>)

These two parameters are used to calculate specific gravity.

You cannot set these parameters from the display. If the default values are not appropriate, you must use another method to set them.

### Optional tasks in setting up concentration measurement

The following tasks are optional:

- Modifying names and labels
- Configuring extrapolation alerts

### Related information

[Standard matrices for the concentration measurement application](#)  
[Derived variables and calculated process variables](#)

## 5.2.2 Set up concentration measurement using the display

This section guides you through most of the tasks related to setting up and implementing the concentration measurement application.

---

### Restriction

This section does not cover building a concentration matrix. See *Micro Motion Enhanced Density Application: Theory, Configuration, and Use* for detailed information on building a matrix.

---

1. [Enable the concentration measurement application using the display](#)
2. [Load a concentration matrix from a USB drive using the display](#)
3. [Set up temperature data for concentration measurement using the display](#)
4. [Modify matrix names and labels using the display](#)
5. [Modify extrapolation alerts for concentration measurement using the display](#)
6. [Select the active concentration matrix using the display](#)

## Enable the concentration measurement application using the display

The concentration measurement application must be enabled before you can perform any setup. If the concentration measurement application was enabled at the factory, you do not need to enable it now.

### Prerequisites

The concentration measurement application must be licensed on your transmitter.

### Procedure

1. Choose Menu > Configuration > Process Measurement.
2. Choose Flow Variables > Volume Flow Settings and ensure that Flow Type is set to Liquid.
3. Return to the Process Measurement menu.
4. If the API referral application is displayed in the menu, choose API Referral and ensure that Enabled/Disabled is set to Disabled.

The concentration measurement application and the API referral application cannot be enabled simultaneously.

5. Enable concentration measurement.
  - a. Choose Menu > Configuration > Process Measurement > Concentration Measurement.
  - b. Set Enabled/Disabled to Enabled.

### Related information

[View the licensed features](#)

## Load a concentration matrix from a USB drive using the display

At least one concentration matrix must be loaded into one of the six slots on your transmitter. You can load up to six matrices into slots. You can also copy matrices to the transmitter's SD card, and load them into slots at a later time.

---

### Tip

In many cases, concentration matrices were ordered with the device and loaded at the factory. You may not need to load any matrices.

---

### **WARNING!**

**If the transmitter is in a hazardous area, do not use this method to load matrices. This method requires opening the transmitter's wiring compartment while the transmitter is powered up, and this can cause an explosion. If the transmitter is in a hazardous area, you must use another method to load matrices.**

---

## Prerequisites

The concentration measurement application must be enabled on your device.

For each concentration matrix that you want to load, you need a file containing the matrix data. The transmitter's SD card and the ProLink III installation include a set of standard concentration matrices. Other matrices are available from Micro Motion.

Each concentration matrix file must be in .matrix format.

---

### Tips

- If you have a custom matrix on another device, you can save it to a file, then load it to the current device.
- If you have a matrix file in a different format, you can load it using ProLink III.

---

The .matrix files must be copied to the root directory of a USB drive.

You must know the derived variable that the matrix is designed to calculate.

---

### Important

- All concentration matrices on your transmitter must use the same derived variable.
- If you change the setting of Derived Variable, all existing concentration matrices will be deleted from the six slots on the transmitter, but not from the SD card. Set Derived Variable before loading concentration matrices.

---

## Procedure

1. Choose Menu > Configuration > Process Measurement > Concentration Measurement > Configure Application and ensure that the setting of Derived Variable matches the derived variable used by your matrix. If it does not, change it as required and click Apply.

---

### Important

If you change the setting of Derived Variable, all existing concentration matrices will be deleted from the six slots, but not from the transmitter's SD card. Verify the setting of Derived Variable before continuing.

2. Load the matrix.
  - a. Remove the cover from the transmitter's wiring compartment, open the snap flap to access the service port, and insert the USB drive into the service port.
  - b. Choose Menu > USB Options > USB Drive --> Transmitter > Upload Configuration File.
  - c. Set Config File Type to Concentration Measurement Matrix.
  - d. Select the .matrix file that you want to load, and wait for the transfer to complete.
3. Choose Yes or No when you are asked if you want to apply the settings.

The transmitter has six slots that are used to store concentration matrices. Any one of these can be used for measurement. The transmitter also has the capability to store multiple concentration matrices on its SD card. These cannot be used for measurement until they are moved to a slot.

Option	Description
Yes	The matrix is saved to the SD card, and the loading process continues with loading the matrix into one of the slots.
No	The matrix is saved to the SD card, and the loading process ends. You must load a matrix into a slot before you can use it for measurement.

4. If you chose Yes, select the slot to load this matrix into, and wait until the load is complete.

You can load the matrix into any empty slot, or you can overwrite an existing matrix.

### Postrequisites

If you loaded the matrix into a slot, choose Menu > Configuration > Process Measurement > Concentration Measurement > Configure Application > Active Matrix and ensure that the matrix is listed.

If you loaded the matrix onto the SD card only, choose Menu > Configuration > Process Measurement > Concentration Measurement > Load Matrix and ensure that the matrix is listed.

### Related information

[Load a concentration matrix from the SD card using the display](#)  
[Standard matrices for the concentration measurement application](#)  
[Derived variables and calculated process variables](#)

## Load a concentration matrix from the SD card using the display

If you have a concentration matrix on the transmitter's SD card, you can load it into one of the six slots on your transmitter. You cannot use the matrix for measurement until it has been loaded into a slot. You can load up to six matrices into slots.

### Prerequisites

You must have one or more concentration matrices stored on the transmitter's SD card. The standard matrices are loaded to the SD card at the factory.

You must know the derived variable that the matrix is designed to calculate.

### Procedure

1. Choose Menu > Configuration > Process Measurement > Concentration Measurement and ensure that the setting of Derived Variable matches the derived variable used by your matrix. If it does not, change it as required and click Apply.

**Important**

If you change the setting of Derived Variable, all existing concentration matrices will be deleted from the six slots, but not from the transmitter's SD card. Verify the setting of Derived Variable before continuing.

2. Choose Menu > Configuration > Process Measurement > Concentration Measurement > Load Matrix.

The transmitter displays a list of all matrices that are on the SD card.

3. Select the matrix that you want to load.
4. Select the slot that you want to load it into.

You can load the matrix into any empty slot, or you can overwrite an existing matrix.

**Postrequisites**

Choose Menu > Configuration > Process Measurement > Concentration Measurement > Configure Application > Active Matrix and ensure that the matrix is listed.

**Related information**

*[Load a concentration matrix from a USB drive using the display](#)  
[Standard matrices for the concentration measurement application](#)  
[Derived variables and calculated process variables](#)*

## Set up temperature data for concentration measurement using the display

The concentration measurement application uses line temperature data in its calculations. You must decide how to provide this data, then perform the required configuration and setup. Temperature data from the on-board temperature sensor (RTD) is always available. You can set up an external temperature device and use external temperature data if you want to.

The temperature setup that you establish here will be used for all concentration measurement matrices on this meter.

**Procedure**

Choose the method to be used to supply temperature data, and perform the required setup.

Method	Description	Setup
Internal temperature	Temperature data from the on-board temperature sensor (RTD) will be used for all measurements and calculations. No external temperature data will be available.	<ol style="list-style-type: none"> <li>a. Choose Menu &gt; Configuration &gt; Process Measurement &gt; Temperature .</li> <li>b. Set External Temperature to Off.</li> </ol>

Method	Description	Setup
Digital communications	A host writes temperature data to the meter at appropriate intervals. This data will be available in addition to the internal temperature data.	<ol style="list-style-type: none"> <li>Choose Menu &gt; Configuration &gt; Process Measurement &gt; Temperature .</li> <li>Set External Temperature to On.</li> <li>Perform the necessary host programming and communications setup to write temperature data to the transmitter at appropriate intervals.</li> </ol>

### Postrequisites

Choose Menu > Service Tools > Service Data > View Process Variables and verify the value for External Temperature.

**Need help?** If the value is not correct:

- Ensure that the external device and the meter are using the same measurement unit.
- For digital communications:
  - Verify that the host has access to the required data.

## Modify matrix names and labels using the display

For convenience, you can change the name of a concentration matrix and the label used for its measurement unit. This does not affect measurement.

1. Choose Menu > Configuration > Process Measurement > Concentration Measurement > Configure Matrix.
2. Select the matrix that you want to modify.
3. Set Matrix Name to the name that will be used for this matrix.
4. Set Concentration Unit to the label that will be used for the concentration unit.

If you want to use a custom label, you can use the display to select Special. However, you cannot use the display to configure the custom label. You must use another tool to change the label from Special to a user-defined string.

## Modify extrapolation alerts for concentration measurement using the display

You can enable and disable extrapolation alerts, and set extrapolation alert limits. These parameters control the behavior of the concentration measurement application but do not affect measurement directly.

Each concentration matrix is built for a specific density range and a specific temperature range. If line density or line temperature goes outside the range, the transmitter will extrapolate concentration values. However, extrapolation may affect accuracy. Extrapolation alerts are used to notify the operator that extrapolation is occurring.

Each concentration matrix has its own extrapolation alert limits.



### Procedure

1. Choose Menu > Configuration > Process Measurement > Concentration Measurement > Configure Matrix.
2. Select the matrix that you want to modify.
3. Set Extrapolation Limit to the point, in percent, at which an extrapolation alert will be posted.
4. Choose Menu > Configuration > Process Measurement > Concentration Measurement > Configure Application > Extrapolation Alerts.
5. Enable or disable the high and low limit alerts for temperature and density as desired.

### Example: Extrapolation alerts in action

If Extrapolation Limit is set to 5%, High Limit (Temp) is enabled, and the active matrix is built for a temperature range of 40 °F to 80 °F, a high-temperature extrapolation alert will be posted if line temperature goes above 82 °F.

### Select the active concentration matrix using the display

You must select the concentration matrix to be used for measurement. Although the transmitter can store up to six concentration matrices, only one matrix can be used for measurement at any one time.

1. Choose Menu > Configuration > Process Measurement > Concentration Measurement > Configure Application.
2. Set Active Matrix to the matrix you want to use.

## 5.2.3 Set up concentration measurement using ProLink III

This section guides you through the tasks required to set up, configure, and implement concentration measurement.

1. [\*Enable the concentration measurement application using ProLink III\*](#)
2. [\*Load a concentration matrix using ProLink III\*](#)
3. [\*Set reference temperature values for specific gravity using ProLink III\*](#)
4. [\*Set up temperature data for concentration measurement using ProLink III\*](#)
5. [\*Modify matrix names and labels using ProLink III\*](#)
6. [\*Modify extrapolation alerts for concentration measurement using ProLink III\*](#)
7. [\*Select the active concentration matrix using ProLink III\*](#)

### Enable the concentration measurement application using ProLink III

The concentration measurement application must be enabled before you can perform any setup. If the concentration measurement application was enabled at the factory, you do not need to enable it now.

### Prerequisites

The concentration measurement application must be licensed on your transmitter.

### Procedure

1. Choose Device Tools > Configuration > Process Measurement > Flow and ensure that Volume Flow Type is set to Liquid Volume.
2. Choose Device Tools > Configuration > Transmitter Options.
3. If the API referral application is enabled, disable it and click Apply.

The concentration measurement application and the API referral application cannot be enabled simultaneously.

4. Set Concentration Measurement to Enabled and click Apply.

### Related information

[View the licensed features](#)

## Load a concentration matrix using ProLink III

At least one concentration matrix must be loaded onto your transmitter. You can load up to six.

---

### Tip

In many cases, concentration matrices were ordered with the device and loaded at the factory. You may not need to load any matrices.

---

### Restriction

You cannot use ProLink III to load a matrix to the transmitter's SD card. ProLink III loads matrices directly to one of the transmitter's six slots.

---

### Prerequisites

The concentration measurement application must be enabled on your device.

For each concentration matrix that you want to load, you need a file containing the matrix data. The ProLink III installation includes a set of standard concentration matrices. Other matrices are available from Micro Motion. The file can be on your computer or in the transmitter's internal memory.

The file must be in one of the formats that ProLink III supports. This includes:

- .edf (ProLink II)
- .xml (ProLink III)
- .matrix (Model 5700)

If you are loading a .edf file or a .xml file, you must know the following information for your matrix:

- The derived variable that the matrix is designed to calculate

- The density unit that the matrix was built with
- The temperature unit that the matrix was built with

If you are loading a .matrix file, you must know the derived variable that the matrix is designed to calculate.

---

#### Important

- All concentration matrices on your transmitter must use the same derived variable.
  - If you change the setting of Derived Variable, all existing concentration matrices will be deleted from the six slots on the transmitter, but not from the transmitter's SD card. Set Derived Variable before loading concentration matrices.
- 

#### Procedure

1. If you are loading a .edf file or a .xml file, choose Device Tools > Configuration > Process Measurement > Line Density and set Density Unit to the density unit used by your matrix.

---

#### Important

When you load a matrix in one of these formats, if the density unit is not correct, concentration data will be incorrect. The density units must match at the time of loading. You can change the density unit after the matrix is loaded.

---

2. If you are loading a .edf file or a .xml file, choose Device Tools > Configuration > Process Measurement > Line Temperature and set Temperature Unit to the temperature unit used by your matrix.

---

#### Important

When you load a matrix in one of these formats, if the temperature unit is not correct, concentration data will be incorrect. The temperature units must match at the time of loading. You can change the temperature unit after the matrix is loaded.

---

3. Choose Device Tools > Configuration > Process Measurement > Concentration Measurement.

The Concentration Measurement window is displayed. It is organized into steps that allow you to perform several different setup and configuration tasks. For this task, you will not use all the steps.

4. In Step 1, ensure that the setting of Derived Variable matches the derived variable used by your matrix. If it does not, change it as required and click Apply.

---

#### Important

If you change the setting of Derived Variable, all existing concentration matrices will be deleted from the six slots. Verify the setting of Derived Variable before continuing.

---

5. Load one or more matrices.
  - a. In Step 2, set Matrix Being Configured to the location (slot) to which the matrix will be loaded.

- b. To load a .edf file from your computer, click Load ProLink II Curve, navigate to the file, and load it.
  - c. To load a .xml file from your computer, click Load Matrix from File, navigate to the file, and load it.
  - d. To load a .matrix file from your computer, click Load Matrix from My Computer, navigate to the file, and load it.
  - e. To load a .matrix file from the transmitter's internal memory, click Load Matrix from 5700 Device Memory, navigate to the file on the transmitter, and load it.
  - f. Repeat until all required matrices are loaded.
6. (Optional) If you loaded a .edf file or a .xml file, set the density and temperature units to the units you want to use for measurement.

### Related information

[Standard matrices for the concentration measurement application](#)  
[Derived variables and calculated process variables](#)

## Set reference temperature values for specific gravity using ProLink III

When Derived Variable is set to any option based on specific gravity, you must set the reference temperature for water, then verify the density of water at the configured reference temperature. These values affect specific gravity measurement.

This requirement applies to the following derived variables:

- Specific Gravity
- Concentration (Specific Gravity)
- Mass Concentration (Specific Gravity)
- Volume Concentration (Specific Gravity)

### Procedure

1. Choose Device Tools > Configuration > Process Measurement > Concentration Measurement.  
  
The Concentration Measurement window is displayed. It is organized into steps that allow you to perform several different setup and configuration tasks. For this task, you will not use all the steps.
2. Scroll to Step 2, set Matrix Being Configured to the matrix you want to modify, and click Change Matrix.
3. Scroll to Step 3, then perform the following actions:
  - a. Set Reference Temperature for Referred Density to the temperature to which line density will be corrected for use in the specific gravity calculation.
  - b. Set Reference Temperature for Water to the water temperature that will be used in the specific gravity calculation.
  - c. Set Water Density at Reference Temperature to the density of water at the specified reference temperature.

The transmitter automatically calculates the density of water at the specified temperature. The new value will be displayed the next time that transmitter memory is read. You can enter a different value if you want to.

4. Click the Apply button at the bottom of Step 3.

## Set up temperature data for concentration measurement using ProLink III

The concentration measurement application uses line temperature data in its calculations. You must decide how to provide this data, then perform the required configuration and setup. Temperature data from the on-board temperature sensor (RTD) is always available. You can set up an external temperature device and use external temperature data if you want to.

The temperature setup that you establish here will be used for all concentration measurement matrices on this meter.

### Procedure

1. Choose Device Tools > Configuration > Process Measurement > Concentration Measurement.

The Concentration Measurement window is displayed. It is organized into steps that allow you to perform several different setup and configuration tasks. For this task, you will not use all the steps.

2. Scroll to Step 4.
3. Choose the method to be used to supply temperature data, and perform the required setup.

Option	Description	Setup
Digital communications	A host writes temperature data to the meter at appropriate intervals. This data will be available in addition to the internal RTD temperature data.	<ol style="list-style-type: none"> <li>a. Set Line Temperature Source to Fixed Value or Digital Communications.</li> <li>b. Click Apply.</li> <li>c. Perform the necessary host programming and communications setup to write temperature data to the meter at appropriate intervals.</li> </ol>

### Postrequisites

If you are using external temperature data, verify the external temperature value displayed in the Inputs group on the ProLink III main window.

**Need help?** If the value is not correct:

- Ensure that the external device and the meter are using the same measurement unit.
- For digital communications:
  - Verify that the host has access to the required data.

## Modify matrix names and labels using ProLink III

For convenience, you can change the name of a concentration matrix and the label used for its measurement unit. This does not affect measurement.

1. Choose Device Tools > Configuration > Process Measurement > Concentration Measurement.  
  
The Concentration Measurement window is displayed. It is organized into steps that allow you to perform several different setup and configuration tasks. For this task, you will not use all the steps.
2. Scroll to Step 2, set Matrix Being Configured to the matrix you want to modify, and click Change Matrix.
3. Scroll to Step 3, then perform the following actions:
  - a. Set Concentration Units Label to the label that will be used for the concentration unit.
  - b. If you set Concentration Units Label to Special, enter the custom label in User-Defined Label.
  - c. In Matrix Name, enter the name to be used for the matrix.
4. Click the Apply button at the bottom of Step 3.

## Modify extrapolation alerts for concentration measurement using ProLink III

You can enable and disable extrapolation alerts, and set extrapolation alert limits. These parameters control the behavior of the concentration measurement application but do not affect measurement directly.

Each concentration matrix is built for a specific density range and a specific temperature range. If line density or line temperature goes outside the range, the transmitter will extrapolate concentration values. However, extrapolation may affect accuracy. Extrapolation alerts are used to notify the operator that extrapolation is occurring.

Each concentration matrix has its own extrapolation alert limits.

### Procedure

1. Choose Device Tools > Configuration > Process Measurement > Concentration Measurement.  
  
The Concentration Measurement window is displayed. It is organized into steps that allow you to perform several different setup and configuration tasks. For this task, you will not use all the steps.
2. Scroll to Step 2, set Matrix Being Configured to the matrix you want to modify, and click Change Matrix.
3. Scroll to Step 4.
4. Set Extrapolation Alert Limit to the point, in percent, at which an extrapolation alert will be posted.
5. Enable or disable the high and low limit alerts for temperature and density, as desired, and click Apply.

### Example: Extrapolation alerts in action

If Extrapolation Limit is set to 5%, High Limit (Temp) is enabled, and the active matrix is built for a temperature range of 40 °F to 80 °F, a high-temperature extrapolation alert will be posted if line temperature goes above 82 °F.

## Select the active concentration matrix using ProLink III

You must select the concentration matrix to be used for measurement. Although the transmitter can store up to six concentration matrices, only one matrix can be used for measurement at any one time.

1. Choose Device Tools > Configuration > Process Measurement > Concentration Measurement.
2. Scroll to Step 2, set Active Matrix to the matrix you want to use and click Change Matrix.

## 5.2.4 Set up concentration measurement using a web browser

This section guides you through the tasks required to set up, configure, and implement concentration measurement.

1. [Enable the concentration measurement application using a web browser](#)
2. [Set reference temperature values for specific gravity using a web browser](#)
3. [Provide temperature data for concentration measurement using a web browser](#)
5. [Modify matrix names and labels using the a web browser](#)
6. [Modify extrapolation alerts for concentration measurement using a web browser](#)
7. [Select the active concentration matrix using a web browser](#)

## Enable the concentration measurement application using a web browser

The concentration measurement application must be enabled before you can perform any setup. If the concentration measurement application was enabled at the factory, you do not need to enable it now.

### Prerequisites

The concentration measurement application must be licensed on your transmitter.

The API Referral application must not be enabled on your transmitter.

### Procedure

1. Choose Configuration > Transmitter Options and ensure that Volume Flow Type is set to Liquid Volume.
2. Under Permanent Features, set Concentration Measurement to Enabled and click Apply.

### Related information

[View the licensed features](#)

## Set reference temperature values for specific gravity using a web browser

When Derived Variable is set to any option based on specific gravity, you must set the reference temperature for water, then verify the density of water at the configured reference temperature. These values affect specific gravity measurement.

This requirement applies to the following derived variables:

- Specific Gravity
- Concentration (Specific Gravity)
- Mass Concentration (Specific Gravity)
- Volume Concentration (Specific Gravity)

### Procedure

1. Choose Configuration > Process Measurement > Concentration Measurement.

The Concentration Measurement page is displayed. It is organized into steps that allow you to perform several different setup and configuration tasks. For this task, you will not use all the steps.

2. Under Step 2, set Matrix Being Configured to the matrix you want to modify, and click Change Matrix.
3. Under Step 3, perform the following actions:
  - a. Set Reference Temperature to the temperature to which line density will be corrected for use in the specific gravity calculation.
  - b. Set Reference Temperature of Water (Specific Gravity) to the water temperature that will be used in the specific gravity calculation.
  - c. Set Water Density at Reference Temperature to the density of water at the specified reference temperature.

The transmitter automatically calculates the density of water at the specified temperature. The new value will be displayed the next time that transmitter memory is read. You can enter a different value if you want to.

4. Click the Apply button at the bottom of Step 3.

## Provide temperature data for concentration measurement using a web browser

The concentration measurement application uses line temperature data in its calculations. You must decide how to provide this data, then perform the required configuration and setup. Temperature data from the on-board temperature sensor (RTD) is always available. You can set up an external temperature device and use external temperature data if you want to.

The temperature setup that you establish here will be used for all concentration measurement matrices on this meter.



## Procedure

1. Choose Configuration > Process Measurement > Concentration Measurement.

The Concentration Measurement page is displayed. It is organized into steps that allow you to perform several different setup and configuration tasks. For this task, you will not use all the steps.

2. Scroll to Step 4.
3. Choose the method to be used to supply temperature data, and perform the required setup.

Option	Description	Setup
Internal RTD temperature data	Temperature data from the on-board temperature sensor (RTD) is used.	<ol style="list-style-type: none"> <li>a. Under Line Temperature Data, set Source to RTD.</li> <li>b. Click Apply.</li> </ol>
Digital communications	A host writes temperature data to the meter at appropriate intervals. This data will be available in addition to the internal RTD temperature data.	<ol style="list-style-type: none"> <li>a. Under Line Temperature Data, set Source to Fixed Value or Digital Communications.</li> <li>b. Click Apply.</li> </ol>

## Postrequisites

If you are using external temperature data, verify the external temperature value displayed on the Process Monitor page.

**Need help?** If the value is not correct:

- Ensure that the external device and the meter are using the same measurement unit.
- For digital communications:
  - Verify that the host has access to the required data.

## Modify matrix names and labels using the a web browser

For convenience, you can change the name of a concentration matrix and the label used for its measurement unit. This does not affect measurement.

1. Choose Configuration > Process Measurement > Concentration Measurement.

The Concentration Measurement page is displayed. It is organized into steps that allow you to perform several different setup and configuration tasks. For this task, you will not use all the steps.

2. Scroll to Step 2, set Matrix Being Configured to the matrix you want to modify, and click Change Matrix.
3. Scroll to Step 3, then perform the following actions:
  - a. Set Concentration Units Label to the label that will be used for the concentration unit.

- b. If you set Concentration Units Label to Special, enter the custom label in User-Defined Label.
  - c. In Matrix Name, enter the name to be used for the matrix.
4. Click the Apply button at the bottom of Step 3.

## Modify extrapolation alerts for concentration measurement using a web browser

You can enable and disable extrapolation alerts, and set extrapolation alert limits. These parameters control the behavior of the concentration measurement application but do not affect measurement directly.

Each concentration matrix is built for a specific density range and a specific temperature range. If line density or line temperature goes outside the range, the transmitter will extrapolate concentration values. However, extrapolation may affect accuracy. Extrapolation alerts are used to notify the operator that extrapolation is occurring.

Each concentration matrix has its own extrapolation alert limits.

### Procedure

1. Choose Configuration > Process Measurement > Concentration Measurement.  

The Concentration Measurement window is displayed. It is organized into steps that allow you to perform several different setup and configuration tasks. For this task, you will not use all the steps.
2. Scroll to Step 2, set Matrix Being Configured to the matrix you want to modify, and click Change Matrix.
3. Scroll to Step 4.
4. Set Extrapolation Alarm Limit to the point, in percent, at which an extrapolation alert will be posted.
5. Enable or disable the high and low limit alerts for temperature and density, as desired, and click Apply.

### Example: Extrapolation alerts in action

If Extrapolation Alarm Limit is set to 5%, High Extrapolation Limit (Temperature) is enabled, and the active matrix is built for a temperature range of 40 °F to 80 °F, a high-temperature extrapolation alert will be posted if line temperature goes above 82 °F.

## Select the active concentration matrix using a web browser

You must select the concentration matrix to be used for measurement. Although the transmitter can store up to six concentration matrices, only one matrix can be used for measurement at any one time.

1. Choose Configuration > Process Measurement > Concentration Measurement.

The Concentration Measurement page is displayed. It is organized into steps that allow you to perform several different setup and configuration tasks. For this task, you will not use all the steps.

2. Scroll to Step 2, set Active Matrix to the matrix you want to use and click Change Matrix.

## 6 Configure advanced options for process measurement

### Topics covered in this chapter:

- [Configure Response Time](#)
- [Detect and report two-phase flow](#)
- [Configure Flow Rate Switch](#)
- [Configure events](#)
- [Configure totalizers and inventories](#)
- [Configure logging for totalizers and inventories](#)
- [Configure Process Variable Fault Action](#)

### 6.1 Configure Response Time

Display	Menu > Configuration > Process Measurement > Response Time
ProLink III	Device Tools > Configuration > Process Measurement > Response Time
Web browser	Configuration > Process Measurement > Response Time

#### Overview

Response Time controls the speed of various internal processes that are involved in retrieving electronic data from the sensor and converting it to process data.

Response Time affects all process and diagnostic variables.

#### Restriction

Response Time is configurable only if you are using the enhanced core processor. If you are using the standard core processor, Response Time is set to Low Filtering and cannot be changed.

#### Procedure

Set Response Time as desired.

Option	Description
Normal	Appropriate for typical applications.
High Filtering	Slower response. Appropriate for applications with significant amount of entrained gas or process noise.
Low Filtering	Fastest response. Appropriate for proving or filling applications.

Option	Description
Service	Do not select unless directed by Micro Motion personnel.

## 6.2 Detect and report two-phase flow

Two-phase flow (gas in a liquid process or liquid in a gas process) can cause a variety of process control issues. The transmitter provides two methods to detect and report or respond to two-phase flow.

- [Detect two-phase flow using density](#) (Section 6.2.1)
- [Detect two-phase flow using sensor diagnostics](#) (Section 6.2.2)

### 6.2.1 Detect two-phase flow using density

Display	Menu > Configuration > Process Measurement > Density
ProLink III	Device Tools > Configuration > Process Measurement > Density
Web browser	Configuration > Process Measurement > Density

#### Overview

The transmitter can use line density data to detect two-phase flow (gas in a liquid process or liquid in a gas process). The density limits are user-specified. When two-phase flow is detected, an alert is posted.

#### Procedure

1. Set Two-Phase Flow Low Limit to the lowest density value that is considered normal in your process.

Values below this will cause the transmitter to post a Process Aberration alert.

#### Tip

Gas entrainment can cause your process density to drop temporarily. To reduce the occurrence of two-phase flow alerts that are not significant to your process, set Two-Phase Flow Low Limit slightly below your expected lowest process density.

You must enter Two-Phase Flow Low Limit in  $\text{g}/\text{cm}^3$ , even if you configured another unit for density measurement.

- Default:  $0 \text{ g}/\text{cm}^3$
  - Range:  $0 \text{ g}/\text{cm}^3$  to the sensor limit
2. Set Two-Phase Flow High Limit to the highest density value that is considered normal in your process.

Values above this will cause the transmitter to post a Process Aberration alert.

**Tip**

To reduce the occurrence of two-phase flow alerts that are not significant to your process, set Two-Phase Flow High Limit slightly above your expected highest process density.

You must enter Two-Phase Flow High Limit in g/cm<sup>3</sup>, even if you configured another unit for density measurement.

- Default: 5 g/cm<sup>3</sup>
  - Range: 5 g/cm<sup>3</sup> to the sensor limit
3. Set Two-Phase Flow Timeout to the number of seconds that the transmitter will wait for a two-phase flow condition to clear before posting the alert.
- Default: 0 seconds, meaning that the alert will be posted immediately
  - Range: 0 to 60 seconds

## 6.2.2 Detect two-phase flow using sensor diagnostics

Display	Menu > Configuration > Inputs/Outputs > Channel C > I/O Settings > Source
ProLink III	Device Tools > Configuration > I/O > Channels > Channel C > mA Output
Web browser	Configuration > Inputs/Outputs > Channel C > Channel Type > mA Output

**Overview**

The transmitter always monitors sensor diagnostics and applies a two-phase flow algorithm. You can assign an mA output to report the results of this calculation: single-phase flow, moderate two-phase flow, or severe two-phase flow.

**Procedure**

Set mA Output Source to Two-Phase Flow Detection.

The signal from the mA output indicates the current state of the process:

- 4 mA: Single-phase flow
- 12 mA: Moderate two-phase flow
- 20 mA: Severe two-phase flow

## 6.3 Configure Flow Rate Switch

Display	Menu > Configuration > Alert Setup > Enhanced Events > Flow Rate Switch
ProLink III	Device Tools > Configuration > I/O > Outputs > Discrete Output > Source > Flow Switch Indication
Web browser	Configuration > Inputs/Outputs > Channel C > Discrete Output > Source > Flow Switch Indication

## Overview

Flow Rate Switch is used to indicate that the flow rate has moved past a user-specified setpoint, in either direction. The flow rate switch is implemented with a user-configurable hysteresis.

Typically, a discrete output is assigned as the flow rate switch indicator. The discrete output can be wired to an external device such as a light or a horn.

## Prerequisites

A channel must be configured as a discrete output, and the discrete output must be available for this use.

## Procedure

1. Set Discrete Output Source to Flow Switch, if you have not already done so.
2. Set Flow Switch Variable to the flow variable that you want to use to control the flow rate switch.
3. Set Flow Switch Setpoint to the value at which the flow switch will be triggered (after Hysteresis is applied).
  - If the flow rate is below this value, the discrete output is ON.
  - If the flow rate is above this value, the discrete output is OFF.
4. Set Hysteresis to the percentage of variation above and below the setpoint that will operate as a deadband.

Hysteresis defines a range around the setpoint within which the flow rate switch will not change.

- Default: 5%
- Range: 0.1% to 10%

Example:

If Flow Switch Setpoint = 100 g/sec and Hysteresis = 5%, and the first measured flow rate is above 100 g/sec, the discrete output is OFF. It will remain OFF unless the flow rate drops below 95 g/sec. If this happens, the discrete output will turn ON, and remain ON until the flow rate rises above 105 g/sec. At this point it turns OFF and will remain OFF until the flow rate drops below 95 g/sec.

## 6.4 Configure events

An event occurs when the real-time value of a user-specified process variable moves past a user-defined setpoint. Events are used to provide notification of process changes or to perform specific transmitter actions if a process change occurs.

Your transmitter supports two event models:

- Basic event model
- Enhanced event model

**Tip**

Micro Motion recommends using enhanced events rather than basic events. Enhanced events can perform all the functions of basic events, and they add the following:

- Defining events by range (In Range or Out of Range), in addition to High and Low
  - Triggering transmitter actions if an event occurs
- 
- [Configure a basic event](#) (Section 6.4.1)
  - [Configure an enhanced event](#) (Section 6.4.2)

## 6.4.1 Configure a basic event

Display	Not available
ProLink III	Device Tools > Configuration > Events > Basic Events
Web browser	Not available

**Overview**

A basic event is used to provide notification of process changes. A basic event occurs (is ON) if the real-time value of a user-specified process variable moves above (HI) or below (LO) a user-defined setpoint. Event status can be queried via digital communications, and a discrete output can be configured to report event status.

You can define up to two basic events.

**Procedure**

1. Select the event that you want to configure.
2. Assign a process variable to the event.
3. Specify Event Type.

Options	Description
HI	$x > A$ The event occurs when the value of the assigned process variable ( $x$ ) is greater than the setpoint (Setpoint A), endpoint not included.
LO	$x < A$ The event occurs when the value of the assigned process variable ( $x$ ) is less than the setpoint (Setpoint A), endpoint not included.

4. Set a value for Setpoint A.
5. (Optional) Configure a discrete output to switch states in response to the event status.

**Related information**

[Configure Discrete Output Source](#)



## 6.4.2 Configure an enhanced event

Display	Menu > Configuration > Alert Setup > Enhanced Events
ProLink III	Device Tools > Configuration > Events > Enhanced Events
Web browser	Configuration > Alert Setup > Enhanced Events

### Overview

An enhanced event is used to provide notification of process changes and, optionally, to perform specific transmitter actions if the event occurs. An enhanced event occurs (is ON) if the real-time value of a user-specified process variable moves above (HI) or below (LO) a user-defined setpoint, or in range (IN) or out of range (OUT) with respect to two user-defined setpoints. Event status can be queried via digital communications, and a discrete output can be configured to report event status.

You can define up to five enhanced events. For each enhanced event, you can assign one or more actions that the transmitter will perform if the enhanced event occurs.

### Procedure

1. Select the event that you want to configure.
2. Assign a process variable to the event.
3. Specify Event Type.

Options	Description
HI	$x > A$ The event occurs when the value of the assigned process variable ( $x$ ) is greater than the setpoint (Setpoint A), endpoint not included.
LO	$x < A$ The event occurs when the value of the assigned process variable ( $x$ ) is less than the setpoint (Setpoint A), endpoint not included.
IN	$A \leq x \leq B$ The event occurs when the value of the assigned process variable ( $x$ ) is <i>in range</i> , that is, between Setpoint A and Setpoint B, endpoints included.
OUT	$x \leq A$ or $x \geq B$ The event occurs when the value of the assigned process variable ( $x$ ) is <i>out of range</i> , that is, less than Setpoint A or greater than Setpoint B, endpoints included.

4. Set values for the required setpoints.
  - For HI and LO events, set Setpoint A.
  - For IN and OUT events, set Setpoint A and Setpoint B.
5. (Optional) Configure a discrete output to switch states in response to the event status.

- (Optional) Specify the action or actions that the transmitter will perform when the event occurs.

### Related information

[Configure Discrete Output Source](#)

## Options for Enhanced Event Action

**Table 6-1: Options for Discrete Input Action and Enhanced Event Action**

Action	Label		
	Display	ProLink III	Web browser
<b>Standard</b>			
Start sensor zero	Start Zero Calibration	Start Sensor Zero	Start Zero Calibration
<b>Totalizers</b>			
Start/stop all totalizers and inventories	Start/stop all totalizers	Start or Stop All Totalizers	Start/stop all totalizers
Reset totalizer X	Reset Total X	Totalizer X	Reset Total X
Reset all totalizers and inventories	Reset All Totals	Reset All Totals	Reset All Totals
<b>Concentration measurement</b>			
Increment CM matrix	Increment Matrix	Increment ED Curve	N/A
<b>Meter verification</b>			
Start meter verification test	Start SMV	Start Meter Verification	Start SMV
<b>Batching</b>			
Begin batch	Begin Batch	Begin Batch	Begin Batch
End batch	End Batch	Stop Batch	End Batch
Resume batch	Resume Batch	Resume Batch	Resume Batch
Increment batch preset	Increment Preset	Increment Batch Preset	Increment Preset

## 6.5 Configure totalizers and inventories

Display	Menu > Configuration > Process Measurement > Totalizers & Inventories
ProLink III	Device Tools > Totalizer Control > Totalizers
Web browser	Configuration > Totalizers/Inventories

## Overview

The transmitter provides seven configurable totalizers and seven configurable inventories. Each totalizer and each inventory can be configured independently.

Totalizers track the process since the last totalizer reset. Inventories track the process since the last inventory reset. Inventories are typically used to track the process across totalizer resets.

---

### Tip

The default configurations cover the most typical uses of totalizers and inventories. You may not need to change any configurations.

---

## Prerequisites

Before configuring the totalizers and inventories, ensure that the process variables you plan to track are available on the transmitter.

## Procedure

1. Select the totalizer or inventory that you want to configure.
2. Set Totalizer Source or Inventory Source to the process variable that the totalizer or inventory will track.

Option	Description
<b>Mass flow</b>	The totalizer or inventory will track Mass Flow Rate and calculate total mass since the last reset.
<b>Volume flow</b>	The totalizer or inventory will track Volume Flow Rate and calculate total volume since the last reset.
<b>Gas standard volume flow</b>	The totalizer or inventory will track Gas Standard Volume Flow Rate and calculate total volume since the last reset.
<b>Temperature-corrected volume flow</b>	The totalizer or inventory will track Temperature-Corrected Volume Flow Rate and calculate total volume since the last reset.
<b>Standard volume flow</b>	The totalizer or inventory will track Standard Volume Flow Rate and calculate total volume since the last reset.
<b>Net mass flow</b>	The totalizer or inventory will track Net Mass Flow Rate and calculate total mass since the last reset.
<b>Net volume flow</b>	The totalizer or inventory will track Net Volume Flow Rate and calculate total volume since the last reset.

---

### Tip

If you are using the API referral application and you want to measure batch-weighted average density or batch-weighted average temperature, you must have a totalizer configured to measure temperature-corrected volume flow.

---

- Set Totalizer Direction to specify how the totalizer or inventory will respond to forward or reverse flow.

Option	Flow direction	Totalizer and inventory behavior
Forward Only	Forward	Totals increment
	Reverse	Totals do not change
Reverse Only	Forward	Totals do not change
	Reverse	Totals increment
Bidirectional	Forward	Totals increment
	Reverse	Totals decrement
Absolute Value	Forward	Totals increment
	Reverse	Totals increment

**Important**

Actual flow direction interacts with Sensor Flow Direction Arrow to determine the flow direction that the transmitter uses in processing. See the following table.

**Table 6-2: Interaction between actual flow direction and Sensor Flow Direction Arrow**

Actual flow direction	Setting of Sensor Flow Direction Arrow	Flow direction sent to outputs and totalizers
Forward (same direction as Flow arrow on sensor)	With Arrow	Forward
	Against Arrow	Reverse
Reverse (opposite from Flow arrow on sensor)	With Arrow	Reverse
	Against Arrow	Forward

- (Optional) Set User Name to the name you want to use for the inventory or totalizer.

User Name can have a maximum of 16 characters.

The transmitter automatically generates a name for each totalizer and inventory, based on its source, direction, and type.

Example:

- Totalizer Source=Mass Flow
- Totalizer Direction=Forward Only
- Totalizer name=Mass Fwd Total

Example:

- Inventory Source=Gas Standard Volume Flow
- Inventory Direction=Bidirectional

- Inventory name=GSV Bidir Inv

The specified name is used on the transmitter display and on all interfaces that support it. If User Name contains only spaces, the transmitter-generated name is used. Not all interfaces support totalizer and inventory names.

### Example: Checking for backflow

You suspect that there is a significant amount of backflow through the sensor. To collect data, configure two totalizers as follows:

- Source=Mass Flow, Direction=Forward Only
- Source=Mass Flow, Direction=Reverse Only

Reset both totalizers, allow them to run for an appropriate period, then look at the amount of reverse flow as a percentage of forward flow.

### Example: Tracking three different process fluids

Three tanks are connected to a loading dock through a single meter. Each tank contains a different process fluid. You want to track each process fluid separately.

1. Set up three totalizers, one for each tank.
2. Name the totalizers Tank 1, Tank 2, and Tank 3.
3. Configure each totalizer as required for the corresponding process fluid.
4. Stop and reset all three totalizers to ensure that the beginning values are 0.
5. When loading from a tank, start the corresponding totalizer, and stop it when the load is finished.

### Related information

[Configure Sensor Flow Direction Arrow](#)  
[Start, stop, and reset totalizers and inventories](#)

## 6.5.1 Default settings for totalizers and inventories

**Table 6-3: Default settings for totalizers and inventories**

Totalizer or inventory	Source (process variable assignment)	Direction	Name of totalizer Name of inventory
1	Mass flow	Forward Only	Mass Fwd Total Mass Fwd Inv
2	Volume flow	Forward Only	Volume Fwd Total Volume Fwd Inv
3	Temperature-corrected volume flow	Forward Only	API Volume Fwd Total API Volume Fwd Inv
4	Gas standard volume flow	Forward Only	GSV Fwd Total GSV Fwd Inv

**Table 6-3: Default settings for totalizers and inventories (continued)**

Totalizer or inventory	Source (process variable assignment)	Direction	Name of totalizer Name of inventory
5	Standard volume flow	Forward Only	Standard Vol Fwd Total Standard Vol Fwd Inv
6	Net mass flow	Forward Only	Net Mass Fwd Total Net Mass Fwd Inv
7	Net volume flow	Forward Only	Net Vol Fwd Total Net Vol Fwd Inv

## 6.6 Configure logging for totalizers and inventories

Display	Menu > Configuration > Totalizer History Log
ProLink III	Device Tools > Configuration > Totalizer History Log
Web browser	Configuration > Totalizers/Inventories > Totalizer History Log

### Overview

The transmitter can write the current value of four totalizers or inventories to a log, at user-specified intervals. You can generate a log file from this data for viewing and analysis.

### Procedure

- Specify the date on which totalizer logging will begin.  
You must specify a future date. If you try to specify the current date, the transmitter will reject the setting.
- Specify the time at which totalizer logging will begin.
- Specify the number of hours between records.
- Select up to four totalizers or inventories to be logged.

### Related information

[Generate history log files](#)  
[Totalizer history and log](#)

## 6.7 Configure Process Variable Fault Action

Display	Menu > Configuration > Alert Setup > Output Fault Actions
ProLink III	Device Tools > Configuration > Fault Processing
Web browser	Configuration > Alert Setup > Output Fault Actions

### Overview

Process Variable Fault Action specifies the values that will be reported via the display and digital communications if the device encounters a fault condition. The values are also sent to the outputs for processing against their configured fault actions.

### Procedure

Set Process Variable Fault Action as desired.

- Default: None

### Restriction

If you set Process Variable Fault Action to NAN, you cannot set mA Output Fault Action or Frequency Output Fault Action to None. If you try to do this, the transmitter will not accept the configuration.

### Important

- If you want the mA output to continue reporting process data during fault conditions, you must set both Process Variable Fault Action and mA Output Fault Action to None. If mA Output Fault Action is set to None and Process Variable Fault Action is set to any other option, the mA output will produce the signal associated with the selection.
- If you want the frequency output to continue reporting process data during fault conditions, you must set both Process Variable Fault Action and Frequency Output Fault Action to None. If Frequency Output Fault Action is set to None and Process Variable Fault Action is set to any other option, the frequency output will produce the signal associated with the selection.

### 6.7.1 Options for Process Variable Fault Action

**Table 6-4: Options for Process Variable Fault Action**

Label			Description
Display	ProLink III	Web browser	
Upscale	Upscale	Upscale	<ul style="list-style-type: none"> <li>• Process variable values indicate that the value is greater than the upper sensor limit.</li> <li>• Totalizers stop incrementing.</li> </ul>
Downscale	Downscale	Downscale	<ul style="list-style-type: none"> <li>• Process variable values indicate that the value is lower than the lower sensor limit.</li> <li>• Totalizers stop incrementing.</li> </ul>

**Table 6-4: Options for Process Variable Fault Action (continued)**

Label			Description
Display	ProLink III	Web browser	
Zero	Zero	Zero	<ul style="list-style-type: none"> <li>Flow rate variables go to the value that represents a flow rate of 0 (zero).</li> <li>Density is reported as 0.</li> <li>Temperature is reported as 0 °C, or the equivalent if other units are used (e.g., 32 °F).</li> <li>Drive gain is reported as measured.</li> <li>Totalizers stop incrementing.</li> </ul>
Not-a-Number (NAN)	Not a Number	Not a Number	<ul style="list-style-type: none"> <li>Process variables are reported as IEEE NAN.</li> <li>Drive gain is reported as measured.</li> <li>Modbus scaled integers are reported as Max Int.</li> <li>Totalizers stop incrementing.</li> </ul>
Flow to Zero	Flow to Zero	Flow to Zero	<ul style="list-style-type: none"> <li>Flow rates are reported as 0.</li> <li>Other process variables are reported as measured.</li> <li>Totalizers stop incrementing.</li> </ul>
None (default)	None	None (default)	<ul style="list-style-type: none"> <li>All process variables are reported as measured.</li> <li>Totalizers increment if they are running.</li> </ul>

## 6.7.2 Interaction between Process Variable Fault Action and other fault actions

The setting of Process Variable Fault Action affects the operation of the mA outputs, frequency outputs, and discrete outputs if the corresponding output fault actions are set to None.

### Interaction between Process Variable Fault Action and mA Output Fault Action

If mA Output Fault Action is set to None, the mA output signal depends on the setting of Process Variable Fault Action.

If the device detects a fault condition:

1. Process Variable Fault Action is evaluated and applied.
2. mA Output Fault Action is evaluated.
  - If it is set to None, the output reports the value associated with the setting of Process Variable Fault Action.
  - If it is set to any other option, the output performs the specified fault action.

If you want the mA output to continue to report process data during fault conditions, you must set both mA Output Fault Action and Process Variable Fault Action to None.



### Interaction between Process Variable Fault Action and Frequency Output Fault Action

If Frequency Output Fault Action is set to None, the frequency output signal depends on the setting of Process Variable Fault Action.

If the device detects a fault condition:

1. Process Variable Fault Action is evaluated and applied.
2. Frequency Output Fault Action is evaluated.
  - If it is set to None, the output reports the value associated with the setting of Process Variable Fault Action.
  - If it is set to any other option, the output performs the specified fault action.

If you want the frequency output to continue to report process data during fault conditions, you must set both Frequency Output Fault Action and Process Variable Fault Action to None.

### Interaction between Process Variable Fault Action and Discrete Output Fault Action

If Discrete Output Fault Action is set to None and Discrete Output Source is set to Flow Rate Switch, the discrete output state during a fault depends on the setting of Process Variable Fault Action.

If the device detects a fault condition:

1. Process Variable Fault Action is evaluated and applied.
2. Discrete Output Fault Action is evaluated.
  - If it is set to None, and Discrete Output Source is set to Flow Rate Switch, the discrete output will use the value determined by the current setting of Process Variable Fault Action to determine if a flow rate switch has occurred.
  - If Discrete Output Source is set to any other option, the setting of Process Variable Fault Action is irrelevant to the behavior of the discrete output during fault conditions. The discrete output is set to the specified fault action.

If you want the discrete output to report a flow rate switch appropriately during fault conditions, you must set both Discrete Output Fault Action and Process Variable Fault Action to None.

### Related information

[Configure mA Output Fault Action](#)  
[Configure Frequency Output Fault Action](#)  
[Configure Discrete Output Fault Action](#)

# 7 Configure device options and preferences

## Topics covered in this chapter:

- [Configure the transmitter display](#)
- [Configure the transmitter's response to alerts](#)

## 7.1 Configure the transmitter display

You can control the language used on the display, the process variables shown on the display, and a variety of display behaviors.

- [Configure the language used on the display](#) (Section 7.1.1)
- [Configure the process variables shown on the display](#) (Section 7.1.2)
- [Configure the number of decimal places \(precision\) shown on the display](#) (Section 7.1.3)
- [Turn on and turn off automatic scrolling through the display variables](#) (Section 7.1.4)
- [Configure the display backlight](#) (Section 7.1.5)
- [Configure totalizer and inventory control from the display](#) (Section 7.1.6)
- [Configure security for the display](#) (Section 3.1.4) (Section 7.1.7)

### 7.1.1 Configure the language used on the display

Display	Menu > Configuration > Display Settings > Language
ProLink III	Device Tools > Configuration > Local Display Settings > Transmitter Display > General > Language
Web browser	Configuration > Transmitter Display > General > Language

#### Overview

Language controls the language that the display uses for process data, menus, and information.

The languages available depend on your transmitter model and version.

#### Procedure

Set Language to the desired language.

## 7.1.2 Configure the process variables shown on the display

Display	Menu > Configuration > Display Settings > Display Variables
ProLink III	Device Tools > Configuration > Transmitter Display > Display Variables
Web browser	Configuration > Transmitter Display > Display Variables

### Overview

You can control the process variables shown on the display and the order in which they appear. The display can scroll through up to 15 process variables in any order you choose. This configuration applies to both auto-scroll and manual scrolling.

By default, one process variable is shown at a time. You can configure a custom display screen that shows two process variables at a time.

### Restriction

You cannot remove all display variables. At least one display variable must be configured.

### Notes

- If you have a display variable configured to show a volume process variable, and you change Volume Flow Type to Gas Standard Volume, the display variable is automatically changed to the equivalent GSV variable, and vice versa.
- For all other display variables, if the process variable becomes unavailable due to changes in configuration, the transmitter will not display that variable.

### Procedure

For each display variable, select the process variable to be shown in that position in the rotation.

You can skip positions and you can repeat process variables.

**Table 7-1: Default configuration for display variables**

Display variable	Process variable assignment
Display Variable 1	Mass flow rate
Display Variable 2	Mass
Display Variable 3	Volume flow rate
Display Variable 4	Volume total
Display Variable 5	Density
Display Variable 6	Temperature
Display Variable 7	Drive gain
Display Variable 8	None
Display Variable 9	None

**Table 7-1: Default configuration for display variables (continued)**

Display variable	Process variable assignment
Display Variable 10	None
Display Variable 11	None
Display Variable 12	None
Display Variable 13	None
Display Variable 14	None
Display Variable 15	None

**Related information**

[Configure a two-line display screen](#)

**Configure a two-line display screen**

Display	Menu > Configuration > Display Settings > Display Variables > 2-Value View
ProLink III	Device Tools > Configuration > Transmitter Display > Display Variables > 2 PV Screen Slot #X
Web browser	Configuration > Transmitter Display > Display Variables > 2 PV Screen Slot #X

**Overview**

You can configure one display screen to show two process variables at a time. For each of these process variables, the current value and the measurement is shown.

The two-line display screen operates like one of the basic 15 screens. You can use  $\downarrow$  and  $\uparrow$  to scroll to it. If Auto Scroll is enabled, the two-line screen will be the last screen in the cycle.

**7.1.3****Configure the number of decimal places (precision) shown on the display**

Display	Menu > Configuration > Display Settings > Decimals on Display
ProLink III	Device Tools > Configuration > Transmitter Display > Display Variables > Decimal Places for x
Web browser	Configuration > Transmitter Display > Display Variables > Decimal Places for x

**Overview**

You can specify the precision (the number of decimal places) that the display uses for each display variable. You can set the precision independently for each display variable.

The display precision does not affect the actual value of the variable, the value used in calculations, or the value reported via outputs or digital communications.

**Procedure**

1. Select a process variable or a diagnostic variable.

You can configure the precision for all variables, whether or not they are assigned as display variables. The configured precision will be stored and used when applicable.

2. Set Number of Decimal Places to the number of decimal places to be used when this variable is shown on the display.
  - Default:
    - Temperature variables: 2
    - All other variables: 4
  - Range: 0 to 5

**Tip**

The lower the precision, the greater the change must be for it to be reflected on the display. Do not set Number of Decimal Places too low to be useful.

**7.1.4****Turn on and turn off automatic scrolling through the display variables**

Display	Menu > Configuration > Display Settings > Auto Scroll
ProLink III	Device Tools > Configuration > Transmitter Display > General > Auto Scroll
Web browser	Configuration > Transmitter Display > General > Auto Scroll

**Overview**

You can configure the display to automatically scroll through the list of display variables or to show a single display variable until the operator activates Scroll. If Auto Scroll is turned on, you can configure the number of seconds that each display variable will be shown.

**Procedure**

1. Turn on or turn off Auto Scroll as desired.

Option	Description
On	The display automatically shows each display variable for the number of seconds specified by Scroll Rate, then shows the next display variable. The operator can move to the next display variable at any time by activating Scroll.
Off	The display shows Display Variable 1 and does not scroll automatically. The operator can move to the next display variable at any time by activating Scroll.

- Default: Off
2. If you turned on Auto Scroll, set Scroll Rate as desired.

- Default: 10
- Range: 1 to 30 seconds

---

**Tip**

Scroll Rate may not be available until you apply Auto Scroll.

---

## 7.1.5 Configure the display backlight

Display	Menu > Configuration > Display Settings
ProLink III	Device Tools > Configuration > Transmitter Display > General > Backlight
Web browser	

### Overview

You can control the intensity and contrast of the backlight on the display's LCD panel.

### Procedure

1. Set Intensity as desired.
  - Default: 50
  - Range: 0 to 100
2. Set Contrast as desired.
  - Default: 50
  - Range: 0 to 100

## 7.1.6 Configure totalizer and inventory control from the display

Display	Menu > Configuration > Security > Totalizer Reset
ProLink III	Device Tools > Configuration > Totalizer Control Methods
Web browser	Configuration > Security > Totalization Control Methods

### Overview

You can enable or disable the operator's ability to start, stop, or reset totalizers or inventories from the display.

This parameter is applied to both totalizers and inventories.

This parameter does not affect the operator's ability to start, stop, or reset totalizers or inventories using another tool.

**Procedure**

1. Enable or disable Reset Totalizers, as desired.
2. Enable or disable Start/Stop Totalizers, as desired.

## 7.1.7 Configure security for the display

Display	Menu > Configuration > Security > Configuration Security
ProLink III	Device Tools > Configuration > Transmitter Display > Display Security
Web browser	Configuration > Security > Display Security

**Overview**

You can configure a display password, and require the operator to enter the password to make any changes to configuration through the display, or to access alert data through the display.

The operator always has read-only access to the configuration menus.

**Procedure**

1. Enable or disable configuration security as desired.

Option	Description
<b>Enabled</b>	When the operator chooses an action that leads to a configuration change, he is prompted to enter the display password.
<b>Disabled</b>	When the operator chooses an action that leads to a configuration change, she is prompted to activate $\leftrightarrow \uparrow \downarrow \leftrightarrow$ . This is designed to protect against accidental changes to configuration. It is not a security measure.

2. If you enabled configuration security, enable or disable alert security as desired.

Option	Description
<b>Enabled</b>	If an alert is active, the alert symbol ⓘ is shown in the upper right corner of the display but the alert banner is not displayed. If the operator attempts to enter the alert menu, he is prompted to enter the display password.
<b>Disabled</b>	If an alert is active, the alert symbol ⓘ is shown in the upper right corner of the display and the alert banner is displayed automatically. No password or confirmation is required to enter the alert menu.

**Restriction**

You cannot disable configuration security and enable alert security.

- If you did not enable configuration security, alert security is disabled and cannot be enabled.

- If both configuration security and alert security are enabled, and you disable configuration security, alert security is disabled automatically.
- 
3. Set the display password to the desired value.
    - Default: AAAA
    - Range: Any four alphanumeric characters
- 

**Important**

If you enable configuration security but you do not change the display password, the transmitter will post a Configuration alert.

---

## 7.2 Configure the transmitter's response to alerts

- [Configure the transmitter's response to alerts using the display](#) (Section 7.2.1)
- [Configure the transmitter's response to alerts using ProLink III](#) (Section 7.2.2)
- [Configure Fault Timeout](#) (Section 7.2.3)

### 7.2.1 Configure the transmitter's response to alerts using the display

For some alerts, you can change the transmitter's response to an alert by setting the alert severity. You can also configure the transmitter to ignore some alerts and conditions.

The transmitter implements the NAMUR NE 107 specification for alerts. NAMUR NE 107 categorizes alerts by the suggested operator action, not by cause or symptom. Each alert has one or more associated conditions.

---

**Important**

The transmitter reports all the process and device conditions that were reported by previous transmitters. However, the transmitter does not report them as individual alerts. Instead, the transmitter reports them as conditions associated with alerts. See [Alerts, conditions, and configuration options](#).

---

**Procedure**

- To change the severity of an alert:
  1. Choose Menu > Configuration > Alert Setup > Response to Alerts.
  2. Select the alert.
  3. Set Alert Severity as desired.



Option	Description
Failure	The event is serious enough to require fault actions by the transmitter. The event may be either device-related or process-related. Operator action is strongly recommended.
Function Check	Configuration change or device testing. No fault actions are performed. The operator may need to complete a procedure.
Out of Specification	The process is outside user-specified limits or device limits. No fault actions are performed. The operator should check the process.
Maintenance Required	Device maintenance is recommended, either near-term or mid-term.

- To ignore an alert:
  1. Choose Menu > Configuration > Alert Setup > Response to Alerts
  2. Select the alert.
  3. Set Alert Detection to Ignore.

If an alert is ignored, any occurrence of this alert is not posted to the alert list and the status LED on the transmitter does not change color. The occurrence is posted to alert history.

- To ignore a condition:
  1. Choose Menu > Configuration > Alert Setup > Response to Alerts
  2. Select the alert associated with the condition.
  3. Select Condition Detection.
  4. Select the condition and set it to Ignore.

If a condition is ignored, any occurrence of this condition is not posted to the alert list and the status LED on the transmitter does not change color. The occurrence is posted to alert history.

#### Related information

[Alerts, conditions, and configuration options](#)

## 7.2.2 Configure the transmitter's response to alerts using ProLink III

For some alerts, you can change the transmitter's response to an alert by setting the alert severity. You can also configure the transmitter to ignore some alerts and conditions.

The transmitter implements the NAMUR NE 107 specification for alerts. NAMUR NE 107 categorizes alerts by the suggested operator action, not by cause or symptom. Each alert has one or more associated conditions.

**Important**

The transmitter reports all the process and device conditions that were reported by previous transmitters. However, the transmitter does not report them as individual alerts. Instead, the transmitter reports them as conditions associated with alerts. See [Alerts, conditions, and configuration options](#).

**Procedure**

- To change the severity of an alert:
  1. Choose Device Tools > Configuration > Alert Severity.
  2. Select the alert.
  3. Set the severity as desired.

Option	Description
Failure	The event is serious enough to require fault actions by the transmitter. The event may be either device-related or process-related. Operator action is strongly recommended.
Function Check	Configuration change or device testing. No fault actions are performed. The operator may need to complete a procedure.
Out of Specification	The process is outside user-specified limits or device limits. No fault actions are performed. The operator should check the process.
Maintenance Required	Device maintenance is recommended, either near-term or mid-term.

- To ignore an alert:
  1. Choose Device Tools > Configuration > Alert Severity.
  2. Select the alert.
  3. Set the severity to Ignore.

If an alert is ignored, any occurrence of this alert is not posted to the alert list and the status LED on the transmitter does not change color. The occurrence is posted to alert history.

- To ignore a condition:
  1. Choose Menu > Configuration > Alert Setup > Response to Alerts.
  2. Select the alert associated with the condition and expand it.
  3. Select the condition and set it to Ignore.

If a condition is ignored, any occurrence of this condition is not posted to the alert list and the status LED on the transmitter does not change color. The occurrence is posted to alert history.

**Related information**

[Alerts, conditions, and configuration options](#)

## 7.2.3 Configure Fault Timeout

Display	Menu > Configuration > Alert Setup > Output Fault Actions > Fault Timeout (sec)
ProLink III	Device Tools > Configuration > Fault Processing > Fault Timeout
Web browser	Configuration > Alert Setup > Output Fault Actions > Fault Timeout

### Overview

Fault Timeout controls the delay before fault actions are performed.

The fault timeout period begins when the transmitter detects an alert condition.

- During the fault timeout period, the transmitter continues to report its last valid measurements.
- If the fault timeout period expires while the alert is still active, the fault actions are performed.
- If the alert condition clears before the fault timeout expires, no fault actions are performed.

### Restriction

- Fault Timeout is not applied to all alerts. For some alerts, fault actions are performed as soon as the alert condition is detected. See the list of alerts and conditions for details.
- Fault Timeout is applicable only when Alert Severity = Failure. For all other settings of Alert Severity, Fault Timeout is irrelevant.

### Procedure

Set Fault Timeout as desired.

- Default: 0 seconds
- Range: 0 to 60 seconds

If you set Fault Timeout to 0, fault actions are performed as soon as the alert condition is detected.

### Related information

[Alerts, conditions, and configuration options](#)

## 7.2.4 Alerts, conditions, and configuration options

**Table 7-2: Options for alerts and conditions**

Alert	Conditions		
	Name	Description	Ignorable
Electronics Failed <ul style="list-style-type: none"> <li>• Default severity: Failure</li> </ul>	[002] RAM Error (Core Processor)	There is an internal memory problem with the core processor.	No

**Table 7-2: Options for alerts and conditions (continued)**

Alert	Conditions		
	Name	Description	Ignorable
<ul style="list-style-type: none"> <li>Severity configurable: No</li> <li>Fault Timeout applicable: No</li> </ul>	[018] EEPROM Error (Transmitter)	There is an internal memory problem with the transmitter.	No
	[019] RAM Error (Transmitter)	There is a ROM checksum mismatch in the transmitter or the RAM address location cannot be written in the transmitter.	No
	[022] Configuration Database Corrupt (Core Processor)	There is a NVM checksum mismatch in the core processor's configuration memory. (Standard core processor only)	No
	[024] Program Corrupt (Core Processor)	There is a checksum mismatch in the core processor's program section. (Standard core processor only)	No
	Watchdog Error	The watchdog timer has expired.	No
<b>Sensor Failed</b> <ul style="list-style-type: none"> <li>Default severity: Failure</li> <li>Severity configurable: No</li> <li>Fault Timeout applicable: Yes</li> </ul>	[003] Sensor Failed	The pickoff amplitude is too low.	No
	[016] Sensor Temperature (RTD) Failure	The value computed for the resistance of the line RTD is outside limits	No
	[017] Sensor Case Temperature (RTD) Failure	The values computed for the resistance of the meter and case RTDs are outside limits	No
<b>Configuration Error</b> <ul style="list-style-type: none"> <li>Default severity: Failure</li> <li>Severity configurable: No</li> <li>Fault Timeout applicable: No</li> </ul>	[020] Calibration Factors Missing	Some calibration factors have not been entered or are incorrect.	No
	[021] Incorrect Sensor Type	Transmitter verification of sensor circuits and characterization has produced a discrepancy. The transmitter cannot operate the sensor.	Yes
	[030] Incorrect Board Type	The firmware or configuration loaded in the transmitter is incompatible with the board type.	No
	Core Processor Update Failed	The core processor software update failed.	Yes
	Password Not Set	Display security has been enabled but the display password has not been changed from the default value.	No
	Time Not Entered	The system time has not been entered. The system time is required for diagnostic logs.	Yes

Table 7-2: Options for alerts and conditions (continued)

Alert	Conditions		
	Name	Description	Ignorable
	Batcher Not Configured	One or more of the following has occurred: The batcher application is disabled; No flow source has been configured for the batcher application; The batch target is 0; No discrete output is assigned to batch control.	Yes
	[120] Curve Fit Failure (Concentration)	The transmitter was unable to calculate a valid concentration matrix from the current data.	No
	Bad IP network settings	<ul style="list-style-type: none"> <li>• If DHCP is enabled, the DHCP server could not be found.</li> <li>• If DHCP is disabled, there is a mismatch between the IP address, Subnet mask and default gateway settings.</li> </ul>	No
Core Low Power <ul style="list-style-type: none"> <li>• Default severity: Failure</li> <li>• Severity configurable: No</li> <li>• Fault Timeout applicable: No</li> </ul>	[031] Low Power	The core processor is not receiving sufficient power. (Enhanced core processor only)	No
Security Breach <ul style="list-style-type: none"> <li>• Default severity: Failure</li> <li>• Severity configurable: No</li> <li>• Fault Timeout applicable: No</li> </ul>	[027] Security Breach	The transmitter is not secured.	No
Sensor-Transmitter Communication Error <ul style="list-style-type: none"> <li>• Default severity: Failure</li> <li>• Severity configurable: No</li> <li>• Fault Timeout applicable: Yes</li> </ul>	[026] Sensor/Transmitter Communications Failure	The transmitter has lost communication with the core processor, or there have been too many communications errors.	No
	[028] Core Process Write Failure	A write to the core processor failed.	No
Tube Not Full <ul style="list-style-type: none"> <li>• Default severity: Failure</li> <li>• Severity configurable: Yes</li> <li>• Fault Timeout applicable: Yes</li> </ul>	[033] Insufficient Pickoff Signal	The signal from the sensor pickoffs is insufficient for operation. (Enhanced core processor only)	Yes
Extreme Primary Purpose Variable <ul style="list-style-type: none"> <li>• Default severity: Failure</li> <li>• Severity configurable: No</li> <li>• Fault Timeout applicable: Yes</li> </ul>	[005] Mass Flow Rate Overrange	The measured flow is outside the sensor's flow limits.	No
	[008] Density Overrange	The measured density is above 10 g/cm <sup>3</sup> .	No
Transmitter Initializing <ul style="list-style-type: none"> <li>• Default severity: Failure</li> <li>• Severity configurable: No</li> <li>• Fault Timeout applicable: No</li> </ul>	[009] Transmitter Initializing/Warming Up	The transmitter is in power-up mode.	No
Function Check in Progress	[104] Calibration in Progress	A calibration is running.	No

**Table 7-2: Options for alerts and conditions (continued)**

Alert	Conditions		
	Name	Description	Ignorable
<ul style="list-style-type: none"> <li>• Default severity: Function Check</li> <li>• Severity configurable: No</li> <li>• Fault Timeout applicable: No</li> </ul>	[131] Meter Verification in Progress	A meter verification test is running.	Yes
Sensor Being Simulated <ul style="list-style-type: none"> <li>• Default severity: Function Check</li> <li>• Severity configurable: No</li> <li>• Fault Timeout applicable: No</li> </ul>	[132] Sensor Simulation Active	Sensor simulation mode is enabled. (Enhanced core processor only)	No
Output Fixed <ul style="list-style-type: none"> <li>• Default severity: Function Check</li> <li>• Severity configurable: Yes</li> <li>• Fault Timeout applicable: No</li> </ul>	mA Output 3 Fixed	The output is configured to send a constant value. A loop test may be in progress.	No
	[111] Frequency Output 1 Fixed	The output is configured to send a constant value. A loop test may be in progress.	No
	[119] Discrete Output 2 Fixed	The output is set to a constant state. A loop test may be in progress.	The output is set to a constant state. A loop test may be in progress.
Drive Over-Range <ul style="list-style-type: none"> <li>• Default severity: Maintenance Required</li> <li>• Severity configurable: Yes</li> <li>• Fault Timeout applicable: Yes</li> </ul>	[102] Drive Overrange	The drive power (current/voltage) is at its maximum.	Yes
Process Aberration <ul style="list-style-type: none"> <li>• Default severity: Out of Specification</li> <li>• Severity configurable: Yes</li> <li>• Fault Timeout applicable: Yes</li> </ul>	[105] Two-Phase Flow	The line density is outside the user-defined two-phase flow limits.	Yes
	[138] TBR Active	Drive gain is above the configured threshold and transient bubble remediation is active.	Yes
	[121] Extrapolation Alert (Concentration)	The line density or line temperature is outside the range of the concentration matrix plus the configured extrapolation limit.	Yes
	[116] Temperature Overrange (API referral)	The line temperature is outside the range of the API table.	Yes
	[117] Density Overrange (API referral)	The line density is outside the range of the API table.	Yes
	[123] Pressure Overrange (API referral)	The line pressure is outside the range of the API table.	Yes

Table 7-2: Options for alerts and conditions (continued)

Alert	Conditions		
	Name	Description	Ignorable
	Moderate Two-Phase Flow	The transmitter has detected moderate two-phase flow.	Yes
	Severe Two-Phase Flow	The transmitter has detected severe two-phase flow.	Yes
	Batch Time Out	The batch exceeded Maximum Batch Time, and was ended before the target was reached.	Yes
Event Active <ul style="list-style-type: none"> <li>• Default severity: Out of Specification</li> <li>• Severity configurable: Yes</li> <li>• Fault Timeout applicable: Yes</li> </ul>	Enhanced Event 1 Active	The conditions assigned to Enhanced Event 1 are present.	Yes
	Enhanced Event 2 Active	The conditions assigned to Enhanced Event 1 are present.	Yes
	Enhanced Event 2 Active	The conditions assigned to Enhanced Event 2 are present.	Yes
	Enhanced Event 3 Active	The conditions assigned to Enhanced Event 3 are present.	Yes
	Enhanced Event 4 Active	The conditions assigned to Enhanced Event 4 are present.	Yes
	Enhanced Event 5 Active	The conditions assigned to Enhanced Event 5 are present.	Yes
	Event 1 Active	The conditions assigned to Basic Event 1 are present.	Yes
	Event 2 Active	The conditions assigned to Basic Event 2 are present.	Yes
Output Saturated <ul style="list-style-type: none"> <li>• Default severity: Out of Specification</li> <li>• Severity configurable: Yes</li> <li>• Fault Timeout applicable: No</li> </ul>	mA Output 3 Saturated	The calculated output value is outside the range of the output.	Yes
	[110] Frequency Output 1 Saturated	The calculated output value is outside the range of the output.	Yes
Function Check Failed or Meter Verification Aborted <ul style="list-style-type: none"> <li>• Default severity: Maintenance Required</li> <li>• Severity configurable: Yes</li> <li>• Fault Timeout applicable: No</li> </ul>	[010] Calibration Failed	The calibration failed.	No
	[034] Meter Verification Failed	The meter verification test showed that the sensor response was not acceptably close to the baseline.	Yes
	[035] Meter Verification Aborted	The meter verification test did not complete, possibly because it was manually aborted or because process conditions were too unstable.	Yes
Data Loss Possible <ul style="list-style-type: none"> <li>• Default severity: Maintenance Required</li> <li>• Severity configurable: Yes</li> <li>• Fault Timeout applicable: No</li> </ul>	[103] Data Loss Possible	The core processor was unable to store the totalizer and inventory values on the last power-down, and must rely on the saved totals. (Standard core processor only)	Yes

**Table 7-2: Options for alerts and conditions (continued)**

Alert	Conditions		
	Name	Description	Ignorable
	SD Card Failure	The transmitter's SD card has failed.	No
	No Permanent License	A permanent license has not been installed in the transmitter firmware.	No
	Clock Failure	The transmitter's real-time clock is not incrementing.	No
	SD Card Full	The transmitter's SD card is 90% full.	No
	Transmitter Software Update Failed	The transmitter software update failed.	Yes



# 8 Integrate the meter with the control system

## Topics covered in this chapter:

- [Channel configuration](#)
- [Configure Ethernet Channel A and Channel B](#)
- [Configure I/O Channel C](#)
- [Configure the mA output](#)
- [Configure the frequency output](#)
- [Configure the discrete output](#)
- [Configure the discrete input](#)

## 8.1 Channel configuration

Display	Menu > Configuration > Inputs/Outputs > Channel x
ProLink III	Device Tools > Configuration > I/O > Channels > Channel x
Web browser	Configuration > Inputs/Outputs > Channel x

## 8.2 Configure Ethernet Channel A and Channel B

Channel A and Channel B are exclusively used for Ethernet communication. Each channel can have individually different settings related to network negotiation and crossover cabling.

Set Auto Negotiate to the desired value.

- **Enabled (default):** The channel will automatically communicate with the network at the highest transmission mode supported by both the transmitter and the network. This is usually the correct choice.
- **Disabled:** The channel will only communicate using defined speed and duplex settings. This may be necessary on a network with older devices that cannot automatically negotiate. After you select Disabled, you can verify or change the speed and duplex settings to match the settings required on your network:
  - Speed: 10 Mbps or 100 Mbps
  - Duplex: Half Duplex or Full Duplex

## 8.3 Configure I/O Channel C

Channel C is a configurable I/O channel. It can be used for one of the following: mA output, frequency output, discrete output, or discrete input.

### Prerequisites

#### Important

To avoid causing process errors:

- The channel configuration must match the I/O wiring.
- Before changing the channel configuration, ensure that all control loops affected by the channel are under manual control.

### Procedure

1. Set Channel Type as desired.
2. Set Power Source as desired.

Option	Description
Internal <b>(Active)</b>	The channel is powered by the transmitter.
External <b>(Passive)</b>	The channel is powered by an external power source.

### Postrequisites

Perform or verify the corresponding output or input configuration. When the configuration of a channel is changed, the channel's behavior will be controlled by the configuration that is stored for the selected input or output type, and the stored configuration may not be appropriate for your process.

After verifying channel and output configuration, return the control loop to automatic control.

## 8.4 Configure the mA output

The mA output is used to report the current value of the process variable. The mA signal varies between 4 mA and 20 mA in proportion to the current value of the assigned process variable.

- [Configure mA Output Source](#) (Section 8.4.1)
- [Configure Lower Range Value \(LRV\) and Upper Range Value \(URV\) for the mA output](#) (Section 8.4.2)
- [Configure mA Output Direction](#) (Section 8.4.3)
- [Configure mA Output Cutoff](#) (Section 8.4.4)
- [Configure mA Output Damping](#) (Section 8.4.5)
- [Configure mA Output Fault Action](#) (Section 8.4.6)

## 8.4.1 Configure mA Output Source

Display	Menu > Configuration > Inputs/Outputs > Channel C > I/O Settings > Source
ProLink III	Device Tools > Configuration > I/O > Channels > Channel C > mA Output
Web browser	Configuration > Inputs/Outputs > Channel C > Channel Type > mA Output

### Overview

mA Output Source specifies the process variable that is reported by the mA output.

### Prerequisites

- If you plan to configure the output to report volume flow, ensure that you have set Volume Flow Type as desired: Liquid or Gas Standard Volume.
- If you plan to configure an output to report a concentration measurement process variable, ensure that the concentration measurement application is configured so that the desired variable is available.

### Procedure

Set mA Output Process Variable as desired.

Defaults:

- mA Output 1: Mass Flow Rate

### Postrequisites

If you change the configuration of mA Output Source, verify the settings of Lower Range Value and Upper Range Value. The transmitter automatically loads a set of values, and these values may not be appropriate for your application.

### Related information

[Configure Lower Range Value \(LRV\) and Upper Range Value \(URV\) for the mA output](#)

## Options for mA Output Source

The transmitter provides a basic set of options for mA Output Source, plus several application-specific options. Different communications tools may use different labels for the options.

**Table 8-1: Options for mA Output Source**

Process variable	Label		
	Display	ProLink III	Web browser
<b>Standard</b>			
Mass flow rate	Mass Flow Rate	Mass Flow Rate	Mass Flow Rate
Volume flow rate	Volume Flow Rate	Volume Flow Rate	Volume Flow Rate

**Table 8-1: Options for mA Output Source (continued)**

Process variable	Label		
	Display	ProLink III	Web browser
Gas standard volume flow rate	GSV Flow Rate	Gas Standard Volume Flow Rate	Gas Standard Volume Flow
Temperature	Temperature	Temperature	Temperature
Density	Density	Density	Density
External pressure	External Pressure	External Pressure	External pressure
External temperature	External Temperature	External Temperature	External temperature
<b>Diagnostics</b>			
Velocity	Velocity	Velocity	Approximate Velocity
Two-phase flow detection	Phase	Phase Flow Severity	Phase Genius
Drive gain	Drive Gain	Drive Gain	Drive Gain
<b>API referral</b>			
Temperature-corrected density	Referred Density	Density at Reference Temperature	Density at Reference Temperature
Temperature-corrected (standard) volume flow rate	Referred Volume Flow	Volume Flow Rate at Reference Temperature	Referred Volume Flow Rate
Average temperature-corrected density	Average Line Density	Average Density	Average Observed Density
Average temperature	Average Temperature	Average Temperature	Average Temperature
<b>Concentration measurement</b>			
Density at reference	Referred Density	Density at Reference Temperature	Dens at Ref (CM)
Specific gravity	Specific Gravity	Density (Fixed SG Units)	Spec Gravity (CM)
Standard volume flow rate	Standard Vol Flow	Volume Flow Rate at Reference Temperature	Standard Volume Flow Rate
Net mass flow rate	Net Mass Flow	Net Mass Flow Rate	Net Mass Flow (CM)
Net volume flow rate	Net Volume Flow Rate	Net Volume Flow Rate	Net Volume Flow Rate (CM)
Concentration	Concentration	Concentration	Concentration (CM)
Baume	Baume	Baume	Baume (CM)

## 8.4.2 Configure Lower Range Value (LRV) and Upper Range Value (URV) for the mA output

Display	Menu > Configuration > Inputs/Outputs > Channel C > I/O Settings > Lower Range Value Menu > Configuration > Inputs/Outputs > Channel C > I/O Settings > Upper Range Value
ProLink III	Device Tools > Configuration > I/O > Outputs > mA Output x > Lower Range Value Device Tools > Configuration > I/O > Outputs > mA Output x > Upper Range Value
Web browser	Configuration > Inputs/Outputs > Channel C > mA Output > Lower Range Value Configuration > Inputs/Outputs > Channel C > mA Output > Upper Range Value

### Overview

The Lower Range Value (LRV) and Upper Range Value (URV) are used to scale the mA output, that is, to define the relationship between mA Output Process Variable and the mA output signal.

LRV is the value of mA Output Source represented by an output of 4 mA. URV is the value of mA Output Source represented by an output of 20 mA. Between LRV and URV, the mA output is linear with the process variable. If the process variable drops below LRV or rises above URV, the transmitter posts an output saturation alert.

### Procedure

Set LRV and URV as desired.

Enter LRV and URV in the measurement units used for mA Output Source.

- Defaults: Specific to each process variable
- Range: Unlimited

---

### Note

You can set URV below LRV. For example, you can set URV to 50 and LRV to 100. If you do this, the mA output will be inversely proportional to the value of mA Output Source.

---

### Tip

For best performance:

- Set  $LRV \geq LSL$  (lower sensor limit).
- Set  $URV \leq USL$  (upper sensor limit).
- Set these values so that the difference between URV and LRV is  $\geq$  Min Span (minimum span).

This ensures that the resolution of the mA output signal is within the range of the bit precision of the D/A converter.

---

**Note**

The transmitter always stores LRV and URV for the current process variable and the previous process variable. If mA Output Source is set to Mass Flow Rate and you set LRV and URV for this configuration, then you change mA Output Source to Volume Flow Rate and set LRV and URV, then change mA Output Source back to Mass Flow Rate, the corresponding LRV and URV are restored automatically. However, if you changed mA Output Source to Volume Flow Rate, then to Phase Genius Flow Severity, and then back to Mass Flow Rate, the configured LRV and URV for Mass Flow Rate are no longer available. The sensor's lower limit and upper limit are used instead.

## 8.4.3 Configure mA Output Direction

Display	Menu > Configuration > Inputs/Outputs > Channel C > I/O Settings > Direction
ProLink III	Device Tools > Configuration > I/O > Outputs > mA Output > Direction
Web browser	Configuration > Inputs/Outputs > Channel C > mA Output > Direction

**Overview**

mA Output Direction controls how conditions of forward flow and reverse flow affect the flow rates reported by the mA output.

Actual flow direction interacts with Sensor Flow Direction Arrow to determine the flow direction that the transmitter uses in processing. See the following table.

**Table 8-2: Interaction between actual flow direction and Sensor Flow Direction Arrow**

Actual flow direction	Setting of Sensor Flow Direction Arrow	Flow direction sent to outputs and totalizers
Forward (same direction as Flow arrow on sensor)	With Arrow	Forward
	Against Arrow	Reverse
Reverse (opposite from Flow arrow on sensor)	With Arrow	Reverse
	Against Arrow	Forward

**Procedure**

Set mA Output Direction as desired.

Option	Description
Normal <b>(default)</b>	Appropriate when your application needs to distinguish between forward flow and reverse flow.
Absolute Value	Appropriate when your application does not need to distinguish between forward flow and reverse flow.

**Important**

mA Output Direction interacts with Lower Range Value (LRV). The effect of mA Output Direction on the mA output varies, depending on whether  $LRV < 0$  or  $LRV \geq 0$ .

**Related information**

*Configure Sensor Flow Direction Arrow*

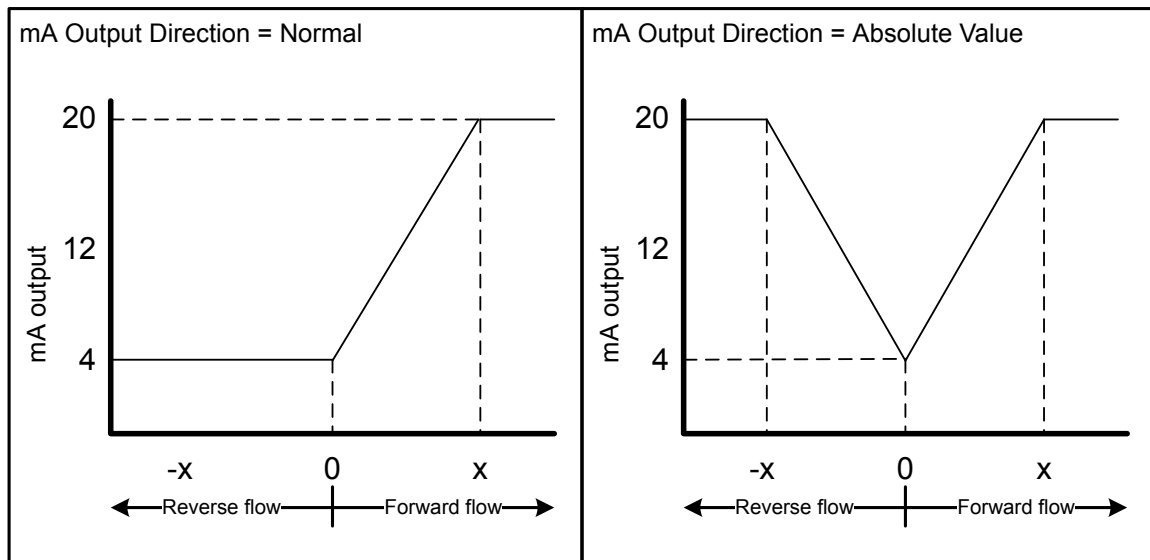
**Effect of mA Output Direction on mA outputs**

mA Output Direction affects how the transmitter reports flow values via the mA output. The mA output are affected by mA Output Direction only if mA Output Source is set to a flow variable.

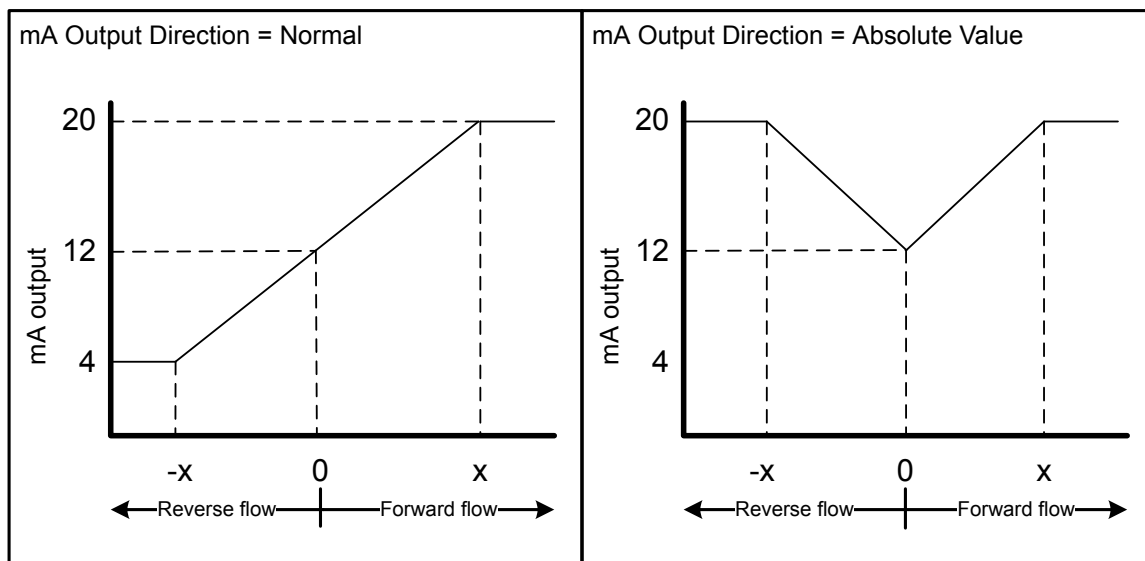
The effect of mA Output Direction depends on the setting of Lower Range Value (LRV).

- If Lower Range Value = 0, see [Figure 8-1](#).
- If Lower Range Value > 0, see [Figure 8-1](#) and adapt the chart.
- If Lower Range Value < 0, see [Figure 8-2](#).

**Figure 8-1: Effect of mA Output Direction on the mA output: Lower Range Value = 0**



- Lower Range Value = 0
- Upper Range Value = x

**Figure 8-2: Effect of mA Output Direction on the mA output: Lower Range Value < 0**

- Lower Range Value =  $-x$
- Upper Range Value =  $x$

**Example: mA Output Direction = Normal and Lower Range Value = 0**

Configuration:

- mA Output Direction = Normal
- Lower Range Value = 0 g/sec
- Upper Range Value = 100 g/sec

Result:

- Under conditions of reverse flow or zero flow, the mA output is 4 mA.
- Under conditions of forward flow, up to a flow rate of 100 g/sec, the mA output varies between 4 mA and 20 mA in proportion to the flow rate.
- Under conditions of forward flow, if the flow rate equals or exceeds 100 g/sec, the mA output will be proportional to the flow rate up to 20.5 mA, and will be level at 20.5 mA at higher flow rates.

**Example: mA Output Direction = Normal and Lower Range Value < 0**

Configuration:

- mA Output Direction = Normal
- Lower Range Value =  $-100$  g/sec
- Upper Range Value =  $+100$  g/sec

Result:

- Under conditions of zero flow, the mA output is 12 mA.



- Under conditions of forward flow, for flow rates between 0 and +100 g/sec, the mA output varies between 12 mA and 20 mA in proportion to (the absolute value of) the flow rate.
- Under conditions of forward flow, if (the absolute value of) the flow rate equals or exceeds 100 g/sec, the mA output is proportional to the flow rate up to 20.5 mA, and will be level at 20.5 mA at higher flow rates.
- Under conditions of reverse flow, for flow rates between 0 and –100 g/sec, the mA output varies between 4 mA and 12 mA in inverse proportion to the absolute value of the flow rate.
- Under conditions of reverse flow, if the absolute value of the flow rate equals or exceeds 100 g/sec, the mA output is inversely proportional to the flow rate down to 3.8 mA, and will be level at 3.8 mA at higher absolute values.

## 8.4.4 Configure mA Output Cutoff

Display	Menu > Configuration > Inputs/Outputs > Channel C > I/O Settings > MAO Cutoff
ProLink III	Device Tools > Configuration > I/O > Outputs > mA Output > Flow Rate Cutoff
Web browser	Configuration > Inputs/Outputs > Channel C > mA Output > Flow Rate Cutoff

### Overview

mA Output Cutoff specifies the lowest flow rate that will be reported through the mA output. All flow rates below the specified value are reported as 0.

mA Output Cutoff is applicable only when mA Output Source is set to a flow rate variable. It is applied to all flow rate variables: mass flow rate, liquid volume flow rate, gas standard volume flow rate, and so on.

### Procedure

Set mA Output Cutoff as desired.

Set mA Output Cutoff in the measurement units used for the process variable. If you change the measurement unit, mA Output Cutoff is adjusted automatically.

- Default: 0
- Range: 0 or any positive value

### Tip

For most applications the default value of mA Output Cutoff should be used. Contact Micro Motion customer service before changing mA Output Cutoff.

## Interaction between mA Output Cutoff and process variable cutoffs

When mA Output Process Variable is set to a flow variable (for example, mass flow rate or volume flow rate), mA Output Cutoff interacts with Mass Flow Cutoff or Volume Flow Cutoff. The transmitter puts the cutoff into effect at the highest flow rate at which a cutoff is applicable.

### 8.4.5 Configure mA Output Damping

Display	Menu > Configuration > Inputs/Outputs > Channel C > I/O Settings > MAO Damping
ProLink III	Device Tools > Configuration > I/O > Outputs > mA Output > Added Damping
Web browser	Configuration > Inputs/Outputs > Channel C > mA Output > Added Damping

#### Overview

mA Output Damping controls the amount of damping that will be applied to the mA output.

Damping is used to smooth out small, rapid fluctuations in process measurement. The damping value specifies the time period, in seconds, over which the transmitter will spread changes in the process variable. At the end of the interval, the value reported by the mA output will reflect 63% of the change in the actual measured value.

mA Output Damping affects a process variable only when it is reported via the mA output. If the process variable is read from the display or digitally, mA Output Damping is not applied.

#### Procedure

Set mA Output Damping to the desired value.

- Default: 0.0 seconds
- Range: 0.0 to 440 seconds

#### Tips

- A high damping value makes the process variable appear smoother because the reported value changes slowly.
- A low damping value makes the process variable appear more erratic because the reported value changes more quickly.
- The combination of a high damping value and rapid, large changes in the process variable assigned to the mA output can result in increased measurement error.
- Whenever the damping value is non-zero, the damped value will lag the actual measurement because the damped value is being averaged over time.
- In general, lower damping values are preferable because there is less chance of data loss, and less lag time between the actual measurement and the damped value.

## Interaction between mA Output Damping and process variable damping

When mA Output Source is set to a flow rate variable, density, or temperature, mA Output Damping interacts with Flow Damping, Density Damping, or Temperature Damping. If multiple damping parameters are applicable, the effect of damping the process variable is calculated first, and the mA Output damping calculation is applied to the result of that calculation.

### Example: Damping interaction

Configuration:

- Flow Damping = 1 second
- mA Output Source = Mass Flow Rate
- mA Output Damping = 2 seconds

Result: A change in the mass flow rate will be reflected in the mA output over a time period that is greater than 3 seconds. The exact time period is calculated by the transmitter according to internal algorithms which are not configurable.

## 8.4.6 Configure mA Output Fault Action

Display	Menu > Configuration > Inputs/Outputs > Channel C > I/O Settings > Fault Action
ProLink III	Device Tools > Configuration > I/O > Outputs > mA Output x > Fault Action
Web browser	Configuration > Inputs/Outputs > Channel C > mA Output > Fault Action

### Overview

mA Output Fault Action controls the behavior of the mA output if the transmitter detects a fault condition.

### Important

- The fault action is implemented only if Alert Severity is set to Failure. If Alert Severity is set to any other option, the fault action is not implemented.
- For some faults only: If Fault Timeout is set to a non-zero value, the transmitter will not implement the fault action until the timeout has elapsed.

### Procedure

1. Set mA Output Fault Action as desired.
  - Default: Downscale

**Important**

If you set mA Output Fault Action to None, the mA output will be controlled by the setting of Process Variable Fault Action. In most cases, if you set mA Output Fault Action to None, you should also set Process Variable Fault Action to None.

- If you set mA Output Fault Action to Upscale or Downscale, set mA Output Fault Level to the signal that the mA output will produce during a fault.

**Related information**

[Configure Process Variable Fault Action](#)

[Interaction between Process Variable Fault Action and other fault actions](#)

**Options for mA Output Fault Action and mA Output Fault Level****Table 8-3: Options for mA Output Fault Action and mA Output Fault Level**

Option	mA output behavior	mA Output Fault Level
Upscale	Goes to the configured fault level	Default: 22.0 mA Range: 21.0 to 24.0 mA
Downscale (default)	Goes to the configured fault level	Default: 2.0 mA Range: 1.0 to 3.6 mA
Internal Zero	Goes to the mA output level associated with a process variable value of 0 (zero), as determined by Lower Range Value and Upper Range Value settings	Not applicable
None	Determined by the setting of Process Variable Fault Action	Not applicable

## 8.5 Configure the frequency output

The frequency output is used to report the current value of the process variable. The frequency varies between 0 Hz and 14500 Hz in proportion to the current value of the assigned process variable.

- [Configure Frequency Output Source](#) (Section 8.5.1)
- [Configure frequency output scaling](#) (Section 8.5.2)
- [Configure Frequency Output Direction](#) (Section 8.5.3)
- [Configure Frequency Output Fault Action](#) (Section 8.5.4)

## 8.5.1 Configure Frequency Output Source

Display	Menu > Configuration > Inputs/Outputs > Channel C > I/O Type > Frequency Output
ProLink III	Device Tools > Configuration > I/O > Channels > Channel C > Frequency Output
Web browser	Configuration > Inputs/Outputs > Channel C > Frequency Output

### Overview

Frequency Output Source specifies the process variable that is reported by the frequency output.

### Prerequisites

- If you plan to configure the output to report volume flow, ensure that you have set Volume Flow Type as desired: Liquid or Gas Standard Volume.
- If you plan to configure an output to report a concentration measurement process variable, ensure that the concentration measurement application is configured so that the desired variable is available.

### Procedure

Set Frequency Output Source as desired.

Defaults:

- Frequency Output 1: Mass Flow Rate

### Postrequisites

If you change the configuration of Frequency Output Source, verify the frequency output scaling. The transmitter automatically loads the most recent values for the scaling parameters, and they may not be appropriate for your application.

### Related information

[Configure frequency output scaling](#)

## Options for Frequency Output Source

The transmitter provides a basic set of options for Frequency Output Source, plus several application-specific options. Different communications tools may use different labels for the options.

**Table 8-4: Options for Frequency Output Source**

Process variable	Label		
	Display	ProLink III	Web browser
<b>Standard</b>			
Mass flow rate	Mass Flow Rate	Mass Flow Rate	Mass Flow Rate

**Table 8-4: Options for Frequency Output Source (continued)**

Process variable	Label		
	Display	ProLink III	Web browser
Volume flow rate	Volume Flow Rate	Volume Flow Rate	Volume Flow Rate
Gas standard volume flow rate	GSV Flow Rate	Gas Standard Volume Flow Rate	GSV Flow Rate
<b>API referral</b>			
Temperature-corrected (standard) volume flow rate	Referred Volume Flow	Volume Flow Rate at Reference Temperature	Referred Volume Flow Rate
<b>Concentration measurement</b>			
Standard volume flow rate	Standard Vol Flow	Volume Flow Rate at Reference Temperature	Standard Volume Flow Rate
Net mass flow rate	Net Mass Flow	Net Mass Flow Rate	Net Mass Flow (CM)
Net volume flow rate	Net Volume Flow Rate	Net Volume Flow Rate	Net Volume Flow Rate (CM)

## 8.5.2 Configure frequency output scaling

Display	Menu > Configuration > Inputs/Outputs > Channel C > I/O Settings > Scaling Method
ProLink III	Device Tools > Configuration > I/O > Outputs > Frequency Output > Scaling Method
Web browser	Configuration > Inputs/Outputs > Channel C > Frequency Output > Scaling Method

### Overview

Frequency output scaling defines the relationship between Frequency Output Source and the pulse of the frequency output. Scale the frequency output to provide the data in the form required by your frequency receiving device.

### Procedure

1. Set Frequency Output Scaling Method.

Option	Description
Frequency=Flow <b>(default)</b>	Frequency calculated from flow rate
Pulses/Unit	A user-specified number of pulses represents one flow unit
Units/Pulse	A pulse represents a user-specified number of flow units

2. Set additional required parameters.
  - If you set Frequency Output Scaling Method to Frequency=Flow, set Rate Factor and Frequency Factor.
  - If you set Frequency Output Scaling Method to Pulses/Unit, define the number of pulses that will represent one flow unit.

- If you set Frequency Output Scaling Method to Units/Pulse, define the number of units that each pulse will indicate.

## Calculate frequency from flow rate

The Frequency=Flow option is used to customize the frequency output for your application when you do not know appropriate values for Units/Pulse or Pulses/Unit.

If you specify Frequency=Flow, you must provide values for Rate Factor and Frequency Factor:

**Rate Factor** The maximum flow rate that you want the frequency output to report. Above this rate, the transmitter will report **A110: Frequency Output Saturated**.

**Frequency Factor** A value calculated as follows:

$$\text{FrequencyFactor} = \frac{\text{RateFactor}}{T} \times N$$

where:

**T** Factor to convert selected time base to seconds

**N** Number of pulses per flow unit, as configured in the receiving device

The resulting Frequency Factor must be within the range of the frequency output ():

- If Frequency Factor is less than 1 Hz, reconfigure the receiving device for a higher pulses/unit setting.
- If Frequency Factor is greater than 10,000 Hz, reconfigure the receiving device for a lower pulses/unit setting.

---

### Tip

If Frequency Output Scale Method is set to Frequency=Flow, and Frequency Output Maximum Pulse Width is set to a non-zero value, Micro Motion recommends setting Frequency Factor to a value below 200 Hz.

---

### Example: Configure Frequency=Flow

You want the frequency output to report all flow rates up to 2000 kg/min.

The frequency receiving device is configured for 10 pulses/kg.

Solution:

$$\text{FrequencyFactor} = \frac{\text{RateFactor}}{T} \times N$$

$$\text{FrequencyFactor} = \frac{2000}{60} \times 10$$

$$\text{FrequencyFactor} = 333.33$$

Set parameters as follows:

- Rate Factor: 2000

- Frequency Factor: 333.33

## 8.5.3 Configure Frequency Output Direction

Display	Device Tools > Configuration > I/O > Outputs > Frequency Output > Direction
ProLink III	Device Tools > Configuration > I/O > Outputs > Frequency Output > Direction
Web browser	Configuration > Inputs/Outputs > Channel C > Frequency Output > Direction

### Overview

Frequency Output Direction controls how conditions of forward flow and reverse flow affect the flow rates reported by the frequency output.

Actual flow direction interacts with Sensor Flow Direction Arrow to determine the flow direction that the transmitter uses in processing. See the following table.

**Table 8-5: Interaction between actual flow direction and Sensor Flow Direction Arrow**

Actual flow direction	Setting of Sensor Flow Direction Arrow	Flow direction sent to outputs and totalizers
Forward (same direction as Flow arrow on sensor)	With Arrow	Forward
	Against Arrow	Reverse
Reverse (opposite from Flow arrow on sensor)	With Arrow	Reverse
	Against Arrow	Forward

### Procedure

Set Frequency Output Direction as desired.

Option	Description
Positive Flow Only	<ul style="list-style-type: none"> <li>• Forward flow: The frequency output reports the flow rate according to the configured scaling method.</li> <li>• Reverse flow: The frequency output is 0 Hz.</li> </ul>
Negative Flow Only	<ul style="list-style-type: none"> <li>• Forward flow: The frequency output is 0 Hz.</li> <li>• Reverse flow: The frequency output reports the absolute value of the flow rate according to the configured scaling method.</li> </ul>
Both Positive and Negative Flow	The frequency output reports the absolute value of the flow rate according to the configured scaling method. It is not possible to distinguish between forward flow and reverse flow from the frequency output alone. This setting is typically used in combination with a discrete output configured to report flow direction.

### Related information

[Configure Sensor Flow Direction Arrow](#)  
[Configure Discrete Output Source](#)



## 8.5.4 Configure Frequency Output Fault Action

Display	Menu > Configuration > Inputs/Outputs > Channel C > I/O Settings > Fault Action
ProLink III	Device Tools > Configuration > I/O > Outputs > Frequency Output x > Fault Action
Web browser	Configuration > Inputs/Outputs > Channel C > Frequency Output > Fault Action

### Overview

Frequency Output Fault Action controls the behavior of the frequency output if the transmitter detects a fault condition.

### Important

- The fault action is implemented only if Alert Severity is set to Failure. If Alert Severity is set to any other option, the fault action is not implemented.
- For some faults only: If Fault Timeout is set to a non-zero value, the transmitter will not implement the fault action until the timeout has elapsed.

### Procedure

1. Set Frequency Output Fault Action as desired.
  - Default: Downscale

### Important

If you set Frequency Output Fault Action to None, the frequency output will be controlled by the setting of Process Variable Fault Action. In most cases, if you set Frequency Output Fault Action to None, you should also set Process Variable Fault Action to None.

2. If you set Frequency Output Fault Action to Upscale, set Frequency Fault Level to the desired value.
  - Default: 14500 Hz
  - Range: 10 Hz to 14500 Hz

### Related information

[Configure Process Variable Fault Action](#)

## Options for Frequency Output Fault Action

**Table 8-6: Options for Frequency Output Fault Action**

Label	Frequency output behavior
Upscale	Goes to configured Upscale value: <ul style="list-style-type: none"> <li>• Default: 14500 Hz</li> <li>• Range: 10 Hz to 14500 Hz</li> </ul>

**Table 8-6: Options for Frequency Output Fault Action** (*continued*)

Label	Frequency output behavior
Downscale	0 Hz
Internal Zero	0 Hz
None (default)	Determined by the setting of Process Variable Fault Action

## 8.6 Configure the discrete output

The discrete output is used to report specific meter or process conditions.

- [Configure Discrete Output Source](#) (Section 8.6.1)
- [Configure Discrete Output Polarity](#) (Section 8.6.2)
- [Configure Discrete Output Fault Action](#) (Section 8.6.3)

### 8.6.1 Configure Discrete Output Source

Display	Menu > Configuration > Inputs/Outputs > Channel C > I/O Settings > Source
ProLink III	Device Tools > Configuration > I/O > Channels > Channel C > Discrete Output
Web browser	Configuration > Inputs/Outputs > Channel C > Discrete Output

#### Overview

Discrete Output Source specifies the process condition or device condition that is reported by the discrete output.

#### Procedure

Set Discrete Output Source to the desired option.

- Default: Forward/Reverse

#### Postrequisites

If you set Discrete Output Source to Flow Switch, additional configuration is required.

#### Related information

[Configure Flow Rate Switch](#)

## Options for Discrete Output Source

**Table 8-7: Options for Discrete Output Source**

Option	Label			State	Discrete output voltage
	Display	Prolink III	Web browser		
Enhanced Event 1–5 <sup>(1)</sup>	Basic Event x	Enhanced Event x	Enhanced Event x	ON	<ul style="list-style-type: none"> <li>Internally powered: 24 VDC</li> <li>Externally powered: Site-specific</li> </ul>
				OFF	0 V
Event 1–2 <sup>(2)</sup>	Enhanced Event x	Event x	N/A	ON	<ul style="list-style-type: none"> <li>Internally powered: 24 VDC</li> <li>Externally powered: Site-specific</li> </ul>
				OFF	0 V
Flow Rate Switch	Flow Rate Switch	Flow Switch Indicator	Flow Rate Switch	ON	<ul style="list-style-type: none"> <li>Internally powered: 24 VDC</li> <li>Externally powered: Site-specific</li> </ul>
				OFF	0 V
Forward/Reverse Indicator	Flow Direction	Forward Reverse Indicator	Flow Direction	Forward flow	0 V
				Reverse flow	<ul style="list-style-type: none"> <li>Internally powered: 24 VDC</li> <li>Externally powered: Site-specific</li> </ul>
Calibration in Progress	Zero in Progress	Calibration in Progress	Zero in Progress	ON	<ul style="list-style-type: none"> <li>Internally powered: 24 VDC</li> <li>Externally powered: Site-specific</li> </ul>
				OFF	0 V
Fault	Fault	Fault Indication	Fault	ON	<ul style="list-style-type: none"> <li>Internally powered: 24 VDC</li> <li>Externally powered: Site-specific</li> </ul>
				OFF	0 V
Meter Verification Failure	Meter Verification Fail	Meter Verification Failure	Meter Verification Fail	ON	<ul style="list-style-type: none"> <li>Internally powered: 24 VDC</li> <li>Externally powered: Site-specific</li> </ul>
				OFF	0 V
Batch Primary Valve	Batch Primary Valve	Batch Primary Valve	Batch Primary Valve	ON	<ul style="list-style-type: none"> <li>Internally powered: 24 VDC</li> <li>Externally powered: Site-specific</li> </ul>
				OFF	0 V

(1) Events configured using the enhanced event model.

(2) Events configured using the basic event model.

**Important**

This table assumes that Discrete Output Polarity is set to Active High. If Discrete Output Polarity is set to Active Low, reverse the voltage values.

**Important**

Actual flow direction interacts with Sensor Flow Direction Arrow to determine the flow direction that the transmitter uses in processing. See the following table.

**Table 8-8: Interaction between actual flow direction and Sensor Flow Direction Arrow**

Actual flow direction	Setting of Sensor Flow Direction Arrow	Flow direction sent to outputs and totalizers
Forward (same direction as Flow arrow on sensor)	With Arrow	Forward
	Against Arrow	Reverse
Reverse (opposite from Flow arrow on sensor)	With Arrow	Reverse
	Against Arrow	Forward

**Related information**

[Configure Sensor Flow Direction Arrow](#)

## 8.6.2 Configure Discrete Output Polarity

Display	Menu > Configuration > Inputs/Outputs > Channel C > I/O Settings > Polarity
ProLink III	Device Tools > Configuration > I/O > Outputs > Discrete Output > Polarity
Web browser	Configuration > Inputs/Outputs > Channel C > Discrete Output > Polarity

**Overview**

Discrete output has two states: ON (active, asserted) and OFF (inactive). Two different voltages are used to represent these states. Discrete Output Polarity controls which voltage represents which state.

**Procedure**

Set Discrete Output Polarity as desired.

- Default: Active High

## 8.6.3 Configure Discrete Output Fault Action

Display	Menu > Configuration > Inputs/Outputs > Channel C > I/O Settings > Fault Action
ProLink III	Device Tools > Configuration > I/O > Outputs > Discrete Output > Fault Action
Web browser	Configuration > Inputs/Outputs > Channel C > Discrete Outputs > Fault Action

### Overview

Discrete Output Fault Action controls the behavior of the discrete output if the transmitter detects a fault condition.

### Important

- The fault action is implemented only if Alert Severity is set to Failure. If Alert Severity is set to any other option, the fault action is not implemented.
- For some faults only: If Fault Timeout is set to a non-zero value, the transmitter will not implement the fault action until the timeout has elapsed.

### CAUTION!

**Do not use** Discrete Output Fault Action **as a fault indicator. If you do, you may not be able to distinguish a fault condition from a normal operating condition. If you want to use the discrete output as a fault indicator, see [Fault indication with the discrete output](#).**

### Procedure

Set Discrete Output Fault Action as desired.

- Default: None

### Related information

*[Interaction between Process Variable Fault Action and other fault actions](#)*

## Options for Discrete Output Fault Action

**Table 8-9: Options for Discrete Output Fault Action**

Label	Discrete output behavior	
	Polarity=Active High	Polarity=Active Low
Upscale	<ul style="list-style-type: none"> <li>• Fault: Discrete output is ON (24 VDC or site-specific voltage)</li> <li>• No fault: Discrete output is controlled by its assignment</li> </ul>	<ul style="list-style-type: none"> <li>• Fault: Discrete output is OFF (0 V)</li> <li>• No fault: Discrete output is controlled by its assignment</li> </ul>

**Table 8-9: Options for Discrete Output Fault Action (continued)**

Label	Discrete output behavior	
	Polarity=Active High	Polarity=Active Low
Downscale	<ul style="list-style-type: none"> <li>Fault: Discrete output is OFF (0 V)</li> <li>No fault: Discrete output is controlled by its assignment</li> </ul>	<ul style="list-style-type: none"> <li>Fault: Discrete output is ON (24 VDC or site-specific voltage)</li> <li>No fault: Discrete output is controlled by its assignment</li> </ul>
None (default)	Discrete output is controlled by its assignment	

## Fault indication with the discrete output

To indicate faults via the discrete output, set Discrete Output Source to Fault. Then, if a fault occurs, the discrete output is always ON and the setting of Discrete Output Fault Action is ignored.

## 8.7 Configure the discrete input

The discrete input is used to initiate a transmitter action from a remote input device.

- [Configure Discrete Input Action](#) (Section 8.7.1)
- [Configure Discrete Input Polarity](#) (Section 8.7.2)

### 8.7.1 Configure Discrete Input Action

Display	Menu > Configuration > Inputs/Outputs > Channel C > I/O Settings > Assign Actions
ProLink III	Device Tools > Configuration > I/O > Inputs > Action Assignment
Web browser	Configuration > Inputs/Outputs > Channel C > Discrete Input > Action Assignment

#### Overview

Discrete Input Action controls the action or actions that the transmitter will perform when the discrete input transitions from OFF to ON.

#### CAUTION!

**Before assigning actions to a discrete input, check the status of the remote input device. If it is ON, all assigned actions will be performed when the new configuration is implemented. If this is not acceptable, change the status of the remote input device or wait until an appropriate time to assign actions.**

#### Procedure

Set Discrete Input Action as desired.

- Default: None

## Options for Discrete Input Action

**Table 8-10: Options for Discrete Input Action and Enhanced Event Action**

Action	Label		
	Display	ProLink III	Web browser
<b>Standard</b>			
Start sensor zero	Start Zero Calibration	Start Sensor Zero	Start Zero Calibration
<b>Totalizers</b>			
Start/stop all totalizers and inventories	Start/stop all totalizers	Start or Stop All Totalizers	Start/stop all totalizers
Reset totalizer X	Reset Total X	Totalizer X	Reset Total X
Reset all totalizers and inventories	Reset All Totals	Reset All Totals	Reset All Totals
<b>Concentration measurement</b>			
Increment CM matrix	Increment Matrix	Increment ED Curve	N/A
<b>Meter verification</b>			
Start meter verification test	Start SMV	Start Meter Verification	Start SMV
<b>Batching</b>			
Begin batch	Begin Batch	Begin Batch	Begin Batch
End batch	End Batch	Stop Batch	End Batch
Resume batch	Resume Batch	Resume Batch	Resume Batch
Increment batch preset	Increment Preset	Increment Batch Preset	Increment Preset

## 8.7.2 Configure Discrete Input Polarity

Display	Menu > Configuration > Inputs/Outputs > Channel C > I/O Settings > Polarity
ProLink III	Device Tools > Configuration > I/O > Inputs > Discrete Input > Discrete Input Polarity
Web browser	Configuration > Inputs/Outputs > Channel C > Discrete Input > Discrete Input Polarity

### Overview

The discrete input has two states: ON and OFF. Discrete Input Polarity controls how the transmitter maps the input voltage to the ON and OFF states.

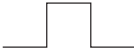

### Procedure

Set Discrete Input Polarity as desired.

- Default: Active Low

### Options for Discrete Input Polarity

**Table 8-11: Options for Discrete Input Polarity**

Polarity	Discrete input power supply	Voltage	Status of discrete input at transmitter
Active High 	Internal	Voltage across terminals is high	ON
		Voltage across terminals is 0 VDC	OFF
	External	Voltage applied across terminals is 3–30 VDC	ON
		Voltage applied across terminals is <0.8 VDC	OFF
Active Low 	Internal	Voltage across terminals is 0 VDC	ON
		Voltage across terminals is high	OFF
	External	Voltage applied across terminals is <0.8 VDC	ON
		Voltage applied across terminals is 3–30 VDC	OFF



# 9 Complete the configuration

## Topics covered in this chapter:

- *Test or tune the system using sensor simulation*
- *Save the transmitter configuration to a backup file*
- *Enable or disable software write-protection*

## 9.1 Test or tune the system using sensor simulation

Display	Menu > Service Tools > Sensor Simulation > Simulate Sensor
ProLink III	Device Tools > Diagnostics > Testing > Sensor Simulation
Web browser	Service Tools > Simulation > Sensor Simulation

### Overview

Use sensor simulation to test the system's response to a variety of process conditions, including boundary conditions, problem conditions, or alert conditions, or to tune the loop.

### Prerequisites

Before enabling sensor simulation, ensure that your process can tolerate the effects of the simulated process values.

### Procedure

1. Enable sensor simulation.
2. For mass flow, set Wave Form as desired and enter the required values.

Option	Required values
Fixed	Fixed Value
Sawtooth	Period Minimum Maximum
Sine	Period Minimum Maximum

3. For density, set Wave Form as desired and enter the required values.

Option	Required values
Fixed	Fixed Value
Sawtooth	Period Minimum Maximum
Sine	Period Minimum Maximum

- For temperature, set Wave Form as desired and enter the required values.

Option	Required values
Fixed	Fixed Value
Sawtooth	Period Minimum Maximum
Sine	Period Minimum Maximum

- Observe the system response to the simulated values and make any appropriate changes to the transmitter configuration or to the system.
- Modify the simulated values and repeat.
- When you have finished testing or tuning, disable sensor simulation.

## 9.1.1 Sensor simulation

Sensor simulation allows you to test the system or tune the loop without having to create the test conditions in your process. When sensor simulation is enabled, the transmitter reports the simulated values for mass flow, density, and temperature, and takes all appropriate actions. For example, the transmitter might apply a cutoff, activate an event, or post an alert.

When sensor simulation is enabled, the simulated values are stored in the same memory locations used for process data from the sensor. The simulated values are then used throughout transmitter functioning. For example, sensor simulation will affect:

- All mass flow rate, temperature, and density values shown on the display or reported via outputs or digital communications
- The mass total and mass inventory values
- All volume calculations and data, including reported values, volume totals, and volume inventories
- All mass, temperature, density, or volume values logged to Data Logger

Sensor simulation does not affect any diagnostic values.

Unlike actual mass flow rate and density values, the simulated values are not temperature-compensated (adjusted for the effect of temperature on the sensor's flow tubes).

## 9.2 Save the transmitter configuration to a backup file

A backup file allows you to return the transmitter to a known state.

### Related information

*Save a configuration file using the display*  
*Save a configuration file using ProLink III*

## 9.3 Enable or disable software write-protection

Display	<i>Not available</i>
ProLink III	Device Tools > Configuration > Write-Protection
Web browser	Configuration > Security > Write Protection

### Overview

When enabled, the software setting Write-Protection prevents changes to the transmitter configuration. You can perform all other functions, and you can view the transmitter configuration parameters.

#### Note

The write-protection setting is only available on transmitters without a display.

#### Note

Write-protecting the transmitter primarily prevents accidental changes to configuration, not intentional changes. Any user who can make changes to the configuration can disable write protection.

# Part III

## Operations, maintenance, and troubleshooting

### Chapters covered in this part:

- *Transmitter operation*
- *Operation using the batcher*
- *Measurement support*
- *Maintenance*
- *Log files, history files, and service files*
- *Troubleshooting*

# 10 Transmitter operation

## Topics covered in this chapter:

- [View process and diagnostic variables](#)
- [View and acknowledge status alerts](#)
- [Read totalizer and inventory values](#)
- [Start, stop, and reset totalizers and inventories](#)

## 10.1 View process and diagnostic variables

Process variables provide information about the state of the process fluid. Diagnostic variables provide data about device operation. You can use this data to monitor and troubleshoot your process.

- [View process and diagnostic variables using the display](#) (Section 10.1.1)
- [View process variables and other data using ProLink III](#) (Section 10.1.2)
- [View process variables and other data using a web browser](#) (Section 10.1.3)

### 10.1.1 View process and diagnostic variables using the display

The display reports the name of the variable (for example, *Density*), the current value of the variable, and the associated unit of measure (for example, kg/m<sup>3</sup>).

#### Prerequisites

For a process or diagnostic variable to be viewed using the display, it must be configured as a display variable.

#### Procedure

- If Auto Scroll is not enabled, activate ↓ or ↑ to move through the list of display variables.
- If Auto Scroll is enabled, wait until the variable is displayed automatically. If you do not want to wait, you can activate ↓ or ↑ to force the display to scroll.

#### Related information

[Effect of Sensor Flow Direction Arrow on digital communications](#)

### 10.1.2 View process variables and other data using ProLink III

Monitor process variables, diagnostic variables, and other data to maintain process quality.

ProLink III automatically displays process variables, diagnostic variables, and other data on the main screen.

**Tip**

ProLink III allows you to choose the process variables that appear on the main screen. You can also choose whether to view data in Analog Gauge view or digital view, and you can customize the gauge settings. For more information, see the ProLink III user manual.

**Related information**

*Effect of Sensor Flow Direction Arrow on digital communications*

### 10.1.3 View process variables and other data using a web browser

Monitor process variables, diagnostic variables, and other data to maintain process quality.

When you log in to the transmitter with a web browser, the Process Monitor page automatically displays process variables, diagnostic variables, and other data. You can change which variables appear on the page.

**Procedure**

1. Click Change Displayed Variables.
2. Make a new selection for each display variable you want to change.
3. Click Apply.

**Related information**

*Effect of Sensor Flow Direction Arrow on digital communications*

### 10.1.4 Effect of Sensor Flow Direction Arrow on digital communications

Flow rates on the transmitter display or reported via digital communications are shown as positive or negative. The sign depends on the interaction between Sensor Flow Direction Arrow and the actual flow direction.

This interaction affects flow rates shown on the transmitter display, ProLink III, the ProLink III, and all other user interfaces.

**Table 10-1: Effect of Sensor Flow Direction Arrow on digital communications**

Actual flow direction	Setting of Sensor Flow Direction Arrow	Flow rate value	
		Transmitter display	Digital communications
Forward (same direction as Flow arrow on sensor)	With Arrow	Positive (no sign)	Positive
	Against Arrow	Negative	Negative
Reverse (opposite from Flow arrow on sensor)	With Arrow	Negative	Negative
	Against Arrow	Positive (no sign)	Positive

## 10.2 View and acknowledge status alerts

The transmitter posts a status alert whenever one of the specified conditions occurs. You can view active alerts and you can acknowledge alerts. You do not have to acknowledge alerts: The transmitter will perform normal measurement and reporting functions with unacknowledged alerts.

- [View and acknowledge alerts using the display](#) (Section 10.2.1)
- [View and acknowledge alerts using ProLink III](#) (Section 10.2.2)
- [View alerts using a web browser](#) (Section 10.2.3)

### 10.2.1 View and acknowledge alerts using the display

You can view information about all active or unacknowledged alerts, and you can acknowledge alerts.

The display uses the alert banner and the alert symbol ⓘ to provide information about alerts.

**Table 10-2: Alert information on display**

Display status	Cause	User action
Alert banner	One or more alerts are active.	Resolve the conditions to clear the alert. When the alert is cleared or acknowledged, the banner will be removed.
Alert symbol ⓘ	One or more alerts are unacknowledged.	Acknowledge the alert. When all alerts are acknowledged, the alert icon will be removed.

If alert security is enabled, the alert banner is never displayed. To view detailed information, you must use the alert menu: Menu > (i) Alert List.

#### Note

Certain alerts do not clear until the transmitter is rebooted.

#### Procedure

- If the alert banner appears:
  1. Activate Info to view information about the alert.
  2. Take appropriate steps to clear the alert.
  3. Activate Ack to acknowledge the alert.
- If ⓘ appears:
  1. Choose Menu > (i) Alert List.
  2. Select an alert to view more information about the specific alert or to acknowledge it individually.
  3. Choose Acknowledge All Alerts to acknowledge all alerts on the list.

**Related information**

*[Generate service files](#)*

## 10.2.2 View and acknowledge alerts using ProLink III

You can view a list containing all alerts that are active, or inactive but unacknowledged. From this list, you can acknowledge individual alerts or choose to acknowledge all alerts at once.

---

**Note**

Certain alerts do not clear until the transmitter is rebooted.

---

**Procedure**

1. View alerts on the ProLink III main screen under Alerts.  
  
All active or unacknowledged alerts are listed. Take appropriate steps to clear all active alerts.
2. To acknowledge a single alert, check the Ack checkbox for that alert. To acknowledge all alerts at once, click Ack All.

**Related information**

*[Generate service files](#)*

## 10.2.3 View alerts using a web browser

You can view a list containing all alerts that are active, or inactive but unacknowledged. From this list, you can acknowledge individual alerts or choose to acknowledge all alerts at once.

Active alerts automatically appear on the Process Monitor page when you log in to the transmitter from a web browser.

---

**Note**

Certain alerts do not clear until the transmitter is rebooted.

---

**Procedure**

1. Choose Alerts to display the Alerts page.  
  
Alerts are shown in the Active Alert List.
2. For inactive alerts click Alert History to view them in the browser, or click Download Full Alert History to generate a text file that you can download to your PC.

**Related information**

*[Generate service files](#)*



## 10.3 Read totalizer and inventory values

Display	Menu > Operations > Totalizers > See Totals
ProLink III	Device Tools > Totalizer Control > Totalizers Device Tools > Totalizer Control > Inventories
Web browser	Operations > Totalizers Operations > Inventories

### Overview

Totalizers keep track of the total amount of mass or volume measured by the transmitter since the last totalizer reset. Inventories keep track of the total amount of mass or volume measured by the transmitter since the last inventory reset.

## 10.4 Start, stop, and reset totalizers and inventories

- [Start, stop, and reset totalizers using the display](#) (Section 10.4.1)
- [Start, stop, and reset totalizers using ProLink III](#) (Section 10.4.2)
- [Start, stop, and reset totalizers using a web browser](#) (Section 10.4.3)

### 10.4.1 Start, stop, and reset totalizers using the display

You can start and stop each totalizer or inventory independently. You can start and stop all totalizers and inventories as a group. You can reset each totalizer or inventory independently. You can reset all totalizers and inventories as a group.

When a totalizer or inventory is started, its value increases or decreases depending on the interaction of the flow direction parameters. It continues tracking flow until it is stopped.

When a totalizer or inventory is reset, its value is set to 0. You can reset a totalizer or inventory while it is started or while it is stopped.

#### Prerequisites

To stop, start, or reset a single totalizer or inventory, the totalizer or inventory must be configured as a display variable.

To reset an inventory using the display, this function must be enabled. To enable inventory reset using the display, choose Menu > Configuration > Security and set Totalizer Reset to Allowed. Note that this affects only the display functions. Resetting inventories using other tools is not affected.

#### Procedure

- To start or stop a single totalizer or inventory:
  1. Wait or scroll until the totalizer or inventory appears on the display.

2. Choose Options.
  3. Choose Start or Stop.
- To start or stop all totalizers and inventories as a group:
    1. Choose Menu > Operations > Totalizers.
    2. Choose Start or Stop.
  - To reset a single totalizer or inventory:
    1. Wait or scroll until the totalizer or inventory appears on the display.
    2. Choose Options.
    3. Choose Reset.
  - To reset all totalizers and inventories as a group:
    1. Choose Menu > Operations > Totalizers.
    2. Choose Reset All.

## 10.4.2 Start, stop, and reset totalizers using ProLink III

You can start and stop each totalizer or inventory independently. You can start and stop all totalizers as a group. You can reset each totalizer or inventory independently. You can reset all totalizers as a group. You can reset all inventories as a group.

When a totalizer or inventory is started, its value increases or decreases depending on the interaction of the flow direction parameters. It continues tracking flow until it is stopped.

When a totalizer or inventory is reset, its value is set to 0. You can reset a totalizer or inventory while it is started or while it is stopped.

### Prerequisites

To reset an inventory using ProLink III, this function must be enabled. To enable inventory reset using ProLink III, choose Tools > Options and enable Reset Inventories from ProLink III. Note that this affects only ProLink III. Resetting inventories using other tools is not affected.

### Procedure

- To start or stop a single totalizer:
  1. Choose Device Tools > Totalizer Control > Totalizers.
  2. Scroll to the totalizer that you want to start or stop, and click Start or Stop.
- To start or stop a single inventory:
  1. Choose Device Tools > Totalizer Control > Inventories.
  2. Scroll to the inventory that you want to start or stop, and click Start or Stop.
- To start or stop all totalizers as a group:
  1. Choose Device Tools > Totalizer Control > Totalizers or Device Tools > Totalizer Control > Inventories.
  2. Click Start All Totals or Stop All Totals.

- To reset a single totalizer:
  1. Choose Device Tools > Totalizer Control > Totalizers.
  2. Scroll to the totalizer that you want to reset, and click Reset.
- To reset a single inventory:
  1. Choose Device Tools > Totalizer Control > Inventories.
  2. Scroll to the inventory that you want to reset, and click Reset.
- To reset all totalizers as a group:
  1. Choose Device Tools > Totalizer Control > Totalizers.
  2. Click Reset All Totals.
- To reset all inventories as a group:
  1. Choose Device Tools > Totalizer Control > Inventories.
  2. Click Reset All Inventories.

### 10.4.3 Start, stop, and reset totalizers using a web browser

You can start and stop each totalizer or inventory independently. You can start and stop all totalizers as a group. You can reset each totalizer or inventory independently. You can reset all totalizers as a group. You can reset all inventories as a group.

When a totalizer or inventory is started, its value increases or decreases depending on the interaction of the flow direction parameters. It continues tracking flow until it is stopped.

When a totalizer or inventory is reset, its value is set to 0. You can reset a totalizer or inventory while it is started or while it is stopped.

#### Procedure

- To start, stop, or reset totalizers:
  1. Choose Operations > Totalizers.
  2. Choose from the available operations.

Option	Description
<b>Start</b>	Start an individual totalizer.
<b>Stop</b>	Stop an individual totalizer.
<b>Reset</b>	Reset an individual totalizer to zero.
<b>Start all Totalizers</b>	Start all totalizers at the same time.
<b>Stop all Totalizers</b>	Stop all totalizers at the same time.
<b>Reset all Totalizers</b>	Reset all totalizers to zero at the same time.

- To start, stop, or reset inventories:
  1. Choose Operations > Inventories.

2. Choose from the available operations.

<b>Option</b>	<b>Description</b>
<b>Start</b>	Start an individual inventory.
<b>Stop</b>	Stop an individual inventory.
<b>Reset</b>	Reset an individual inventory to zero.
<b>Reset all Inventories</b>	Resets all inventories to zero the same time.

# 11 Operation using the batcher

## Topics covered in this chapter:

- [Run a batch](#)
- [Perform AOC calibration](#)

## 11.1 Run a batch

You can run a batch using any of the presets that are enabled. You can change the target for the current batch. You can pause and resume a batch in process. You can allow the batch to complete normally or you can end it manually.

---

### Restriction

Presets are not available when using a web browser for configuration.

---

### Prerequisites

The preset that you want to use must be enabled.

### Procedure

1. Select the preset you want to use.
  - Using the display: Choose Menu > Batcher > Run Batch and set Active Preset to the preset you want to use.
  - Using ProLink III: Choose Device Tools > Configuration > Batcher and set Current Preset Number to the preset you want to use.

The preset contains parameters that control batch processing.

2. If desired, change the configured target to the target to be used for this batch only.
  - Using the display: Choose Menu > Batcher > Run Batch and set Batch Target to the desired value.
  - Using ProLink III: Choose Device Tools > Application Control > Run Batcher and set Current Target to the desired value.
  - Using a web browser: Choose Operations > Batcher > Run Batcher and set Current Preset Number to the preset you want to use.

You cannot set the target to a value that is greater than the Maximum Target value configured for the batching application.

Changing the target here does not change the target configured in the preset.

3. Begin the batch.

- Using the display: Choose Menu > Batcher > Run Batch > Batch Control and select Begin.
- Using ProLink III: Choose Device Tools > Application Control > Run Batch and click Begin Batch.
- Using a web browser: Choose Operations > Batcher > Run Batcher and click Begin Batch.

The transmitter automatically resets the batch total to 0 at this point.

4. Monitor the batch during processing.

- Using the display: Choose Menu > Batcher > Run Batch > Batch Control and observe the value displayed in Actual Total.
- Using ProLink III: Choose Device Tools > Application Control > Run Batcher and observe the values displayed in Current Total and Batch Time.
- Using a web browser: Choose Operations > Batcher > Run Batcher and observe the values displayed in Current Total and Batch Time.

5. (Optional) Pause the batch at any time.

- Using the display: Choose Menu > Batcher > Run Batch > Batch Control and select Pause.
- Using ProLink III: Choose Device Tools > Application Control > Run Batcher and click Pause Batcher.
- Using a web browser: Choose Operations > Batcher > Run Batcher and click Pause Batch.

Pausing a batch allows you to resume it later.

6. Resume the batch after it has been paused.

- Using the display: Choose Menu > Batcher > Run Batch > Batch Control and select Resume.
- Using ProLink III: Choose Device Tools > Application Control > Run Batcher and click Resume Batch.
- Using a web browser: Choose Operations > Batcher > Run Batcher and click Resume Batch.

7. (Optional) End the batch manually at any time before it reaches the target.

- Using the display: Choose Menu > Batcher > Run Batch > Batch Control and select End.
- Using ProLink III: Choose Device Tools > Application Control > Run Batcher and click End Batch.
- Using a web browser: Choose Operations > Batcher > Run Batcher and click End Batch.

If you end a batch manually, you will not be able to resume it. You can end the batch while it is running and while it is paused.

8. If you did not end the batch manually, wait until the batch ends automatically.

The batch ends automatically when it reaches the target or when it reaches the configured maximum fill time.

## 11.2 Perform AOC calibration

- [Perform AOC calibration using the display](#) (Section 11.2.1)
- [Perform AOC calibration using ProLink III](#) (Section 11.2.2)
- [Perform AOC calibration using a web browser](#) (Section 11.2.3)

### 11.2.1 Perform AOC calibration using the display

AOC calibration *trains* the AOC algorithm to adjust for your network speed and valve closure speed. AOC calibration is required only if AOC Compensation Mode is set to AOC Algorithm.

There are two options for AOC calibration:

- Calculate and save: When you are satisfied with the results of AOC calibration, you can save the current AOC coefficient. It will be used for all batches.
- Rolling calibration: The AOC coefficient is recalculated for each batch, based on the results of the most recent batches.

#### Prerequisites

Compensation Mode must be set to AOC.

#### Procedure

- To calculate and save an AOC coefficient:
  1. Choose Menu > Operations > Batcher > AOC Calibration.
  2. Set AOC Cal Status to On.
  3. Run several batches, allowing each batch to run to completion, and observe the totals.
  4. When batch repeatability meets requirements, set AOC Cal Status to Off.

AOC calibration is stopped, and the current coefficient is saved.

---

#### Important

If you are using a saved value, repeat AOC calibration:

- Whenever the fluid characteristics change, especially viscosity
- Whenever you change any configuration parameter that can affect flow measurement (e.g., damping)

- To set up rolling calibration:
  1. Choose Menu > Operations > Batcher > AOC Calibration.
  2. Set AOC Window to the number of batches that the rolling AOC coefficient will be based on.
  3. Set AOC Cal Status to On.

---

**Important**

If you are using rolling calibration, and fluid characteristics change or the transmitter configuration changes, the transmitter will automatically adjust to the new conditions after a few batches.

---

## 11.2.2 Perform AOC calibration using ProLink III

AOC calibration *trains* the AOC algorithm to adjust for your network speed and valve closure speed. AOC calibration is required only if AOC Compensation Mode is set to AOC Algorithm.

There are two options for AOC calibration:

- Calculate and save: When you are satisfied with the results of AOC calibration, you can save the current AOC coefficient. It will be used for all batches.
- Rolling calibration: The AOC coefficient is recalculated for each batch, based on the results of the most recent batches.

### Prerequisites

AOC Compensation Mode must be set to AOC Algorithm.

### Procedure

- To calculate and save an AOC coefficient:
  1. Choose Device Tools > Application Control > Run Batcher.
  2. Click Start AOC Calibration.
  3. Run several batches, allowing each batch to run to completion, and observe the totals.
  4. When batch repeatability meets requirements, click Save AOC Calibration.

AOC calibration is stopped, and the current coefficient is saved.

---

**Important**

If you are using a saved value, repeat AOC calibration:

- Whenever the fluid characteristics change, especially viscosity
  - Whenever you change any configuration parameter that can affect flow measurement (e.g., damping)
- 

- To set up rolling calibration:
  1. Choose Device Tools > Configuration > Batcher .
  2. Set AOC Window Length to the number of batches that the rolling AOC coefficient will be based on.
  3. Choose Device Tools > Application Control > Run Batcher.
  4. Click Start AOC Calibration.



---

**Important**

If you are using rolling calibration, and fluid characteristics change or the transmitter configuration changes, the transmitter will automatically adjust to the new conditions after a few batches.

---

## 11.2.3 Perform AOC calibration using a web browser

AOC calibration *trains* the AOC algorithm to adjust for your network speed and valve closure speed. AOC calibration is required only if AOC Compensation Mode is set to AOC Algorithm.

There are two options for AOC calibration:

- Calculate and save: When you are satisfied with the results of AOC calibration, you can save the current AOC coefficient. It will be used for all batches.
- Rolling calibration: The AOC coefficient is recalculated for each batch, based on the results of the most recent batches.

**Prerequisites**

AOC Compensation Mode must be set to AOC Algorithm.

**Procedure**

To calculate and save an AOC coefficient:

1. Choose Operations > Run Batcher > AOC Calibration.
2. Click Start AOC Calibration.
3. Run several batches, allowing each batch to run to completion, and observe the totals.
4. When batch repeatability meets requirements, click Save AOC Calibration.

AOC calibration is stopped, and the current coefficient is saved.

---

**Important**

If you are using a saved value, repeat AOC calibration:

- Whenever the fluid characteristics change, especially viscosity
  - Whenever you change any configuration parameter that can affect flow measurement (e.g., damping)
-

# 12 Measurement support

## Topics covered in this chapter:

- [Use Smart Meter Verification](#)
- [Zero the meter](#)
- [Set up pressure compensation](#)
- [Validate the meter](#)
- [Perform a \(standard\) D1 and D2 density calibration](#)
- [Adjust concentration measurement with Trim Offset](#)
- [Adjust concentration measurement with Trim Slope and Trim Offset](#)

## 12.1 Use Smart Meter Verification

You can run a Smart Meter Verification test, view and interpret the results, and set up automatic execution.

- [Run an SMV test](#) (Section 12.1.1)
- [View SMV test results](#) (Section 12.1.2)
- [Set up SMV automatic execution](#) (Section 12.1.3)

### 12.1.1 Run an SMV test

- [Run an SMV test using the display](#)
- [Run an SMV test using ProLink III](#)
- [Run an SMV test using a web browser](#)

#### Run an SMV test using the display

Run an SMV (Smart Meter Verification) test to ensure that your sensor has not suffered corrosion, erosion, or other physical or mechanical damage that affects measurement accuracy.

If your sensor passes the SMV test, its measurements meet specifications.

#### Prerequisites

Smart Meter Verification must be licensed on your transmitter.

If you have a remote core processor (4-wire remote installations or remote core processor with remote transmitter installations), you must be using the enhanced core processor, v3.6 or later. The standard core processor does not support SMV. (For other installation types, the enhanced core processor is always used.)

The SMV test runs best when process conditions are stable. If conditions are too unstable, the test will abort. To maximize process stability:

- Maintain a constant fluid temperature and pressure.
- Maintain a constant flow rate. If possible, stop flow through the sensor.
- Avoid changes to fluid composition, e.g., two-phase flow or settling.

If you plan to use a fixed value during the SMV test, ensure that all affected control loops are prepared for the interruption in process measurement. The test will run for approximately 140 seconds.

### Procedure

1. Choose Menu > Service Tools > Verification and Calibration > Smart Meter Verification > Run SMV.
2. Select the desired output behavior.

Option	Description
Continue Measuring	During the test, all outputs will continue to report their assigned process variables. The test will run for approximately 90 seconds.
Fix at Last Measured Value	During the test, all outputs will report the last measured value of their assigned process variable. The test will run for approximately 140 seconds.
Fix at Fault	During the test, all outputs will go to their configured fault action. The test will run for approximately 140 seconds.

The test starts immediately.

3. Wait for the test to complete.

---

#### Tip

At any time during the process, you can abort the test. If the outputs were fixed, they will return to normal behavior.

---

Results for the test are stored on the transmitter along with results for tests performed with any other tool. They can be viewed and used in any tool-based trending and reporting functions.

### Postrequisites

View the results and take any appropriate actions.

## Run an SMV test using ProLink III

Run an SMV (Smart Meter Verification) test to ensure that your sensor has not suffered corrosion, erosion, or other physical or mechanical damage that affects measurement accuracy.

If your sensor passes the SMV test, its measurements meet specifications.

## Prerequisites

Smart Meter Verification must be licensed on your transmitter.

If you have a remote core processor (4-wire remote installations or remote core processor with remote transmitter installations), you must be using the enhanced core processor, v3.6 or later. The standard core processor does not support SMV. (For other installation types, the enhanced core processor is always used.)

The SMV test runs best when process conditions are stable. If conditions are too unstable, the test will abort. To maximize process stability:

- Maintain a constant fluid temperature and pressure.
- Maintain a constant flow rate. If possible, stop flow through the sensor.
- Avoid changes to fluid composition, e.g., two-phase flow or settling.

If you plan to use a fixed value during the SMV test, ensure that all affected control loops are prepared for the interruption in process measurement. The test will run for approximately 140 seconds.

## Procedure

1. Choose Device Tools > Diagnostics > Meter Verification > Run Test.

ProLink III automatically compares the contents of its SMV database to the SMV database on the device, and uploads test data as required. You may need to wait for a few seconds until this process is complete.

2. In the SMV Test Definition window, enter any desired information and click Next.

None of this information is required. It does not affect SMV processing.

ProLink III stores this information in the SMV database on the PC. It is not saved to the transmitter.

3. Select the desired output behavior.

Option	Description
Continue Measuring	During the test, all outputs will continue to report their assigned process variables. The test will run for approximately 90 seconds.
Fix at Last Measured Value	During the test, all outputs will report the last measured value of their assigned process variable. The test will run for approximately 140 seconds.
Fix at Fault	During the test, all outputs will go to their configured fault action. The test will run for approximately 140 seconds.

4. Click Start and wait for the test to complete.

### Tip

At any time during the process, you can abort the test. If the outputs were fixed, they will return to normal behavior.

Results of this test are stored in the SMV database on the transmitter and also in the SMV database that ProLink III maintains on the PC.

### Postrequisites

View the results and take any appropriate actions.

## Run an SMV test using a web browser

Run an SMV (Smart Meter Verification) test to ensure that your sensor has not suffered corrosion, erosion, or other physical or mechanical damage that affects measurement accuracy.

If your sensor passes the SMV test, its measurements meet specifications.

### Prerequisites

Smart Meter Verification must be licensed on your transmitter.

If you have a remote core processor (4-wire remote installations or remote core processor with remote transmitter installations), you must be using the enhanced core processor, v3.6 or later. The standard core processor does not support SMV. (For other installation types, the enhanced core processor is always used.)

The SMV test runs best when process conditions are stable. If conditions are too unstable, the test will abort. To maximize process stability:

- Maintain a constant fluid temperature and pressure.
- Maintain a constant flow rate. If possible, stop flow through the sensor.
- Avoid changes to fluid composition, e.g., two-phase flow or settling.

If you plan to use a fixed value during the SMV test, ensure that all affected control loops are prepared for the interruption in process measurement. The test will run for approximately 140 seconds.

### Procedure

1. Choose Service Tools > Smart Meter Verification > Run Meter Verification.
2. Select the desired output behavior.

Option	Description
Continue Measuring	During the test, all outputs will continue to report their assigned process variables. The test will run for approximately 90 seconds.
Fix at Last Measured Value	During the test, all outputs will report the last measured value of their assigned process variable. The test will run for approximately 140 seconds.
Fix at Fault	During the test, all outputs will go to their configured fault action. The test will run for approximately 140 seconds.

3. Click Start and wait for the test to complete.

---

**Tip**

At any time during the process, you can abort the test. If the outputs were fixed, they will return to normal behavior.

---

Results for the test are stored on the transmitter along with results for tests performed with any other tool. They can be viewed and used in any tool-based trending and reporting functions.

**Postrequisites**

View the results and take any appropriate actions.

## 12.1.2 View SMV test results

- [View SMV test results using the display](#)
- [View SMV test results using ProLink III](#)
- [View SMV test results using a web browser](#)

### View SMV test results using the display

After each SMV test, the pass/fail result is displayed automatically. Detailed results are also available.

---

**Tip**

When you use the display to view test results, the 20 most recent results are available. If you use ProLink III to view results, you can view results for all tests that are in the PC database. In addition, ProLink III provides a trend chart and a report function.

---

**Procedure**

- Results of the current test are displayed automatically.
- To view results of previous tests for this meter:
  1. Choose Menu > Service Tools > Verification & Calibration > Smart Meter Verification > Read SMV History.  
  
Pass/Fail results of all tests in the transmitter's SMV database are displayed.
  2. To view detailed data for an individual test, select it from the list.

**Related information**

[Understanding SMV results](#)

### View SMV test results using ProLink III

After each SMV test, the pass/fail result is displayed automatically. Detailed results are also available.

In addition to test results, ProLink III provides a trend chart and a report function.

## Procedure

- Results of the current test are displayed automatically.
- To view results of previous tests:
  1. Choose Device Tools > Diagnostics > Meter Verification > Run Test.
  2. In the SMV Test Definition window, click View Previous Test Results.
 

ProLink III displays a trend chart. You can export the data to a file and you can manipulate the trend chart.
  3. Click Next.
 

ProLink III displays a report containing details of the most recent test. The report is automatically saved to the SMV database. You can print or export the report.
  4. To view details of previous tests, click View previous test report.

## Related information

[Understanding SMV results](#)

## View SMV test results using a web browser

After each SMV test, the pass/fail result is displayed automatically. Detailed results are also available.

- If you initiate a SMV test using a web browser, the success or failure of the test is indicated in a pop-up message. Detailed results from the test are immediately copied into the previous test results.
- To view previous test results:
  1. Choose Service Tools > Smart Meter Verification > SMV History.
  2. Under Meter Verification History click + in the row next to the test date you want to view.

## Related information

[Understanding SMV results](#)

## Understanding SMV results

When the SMV test is completed, the result is reported as Pass, Fail, or Abort. (Some tools report the Fail result as Caution instead.)

- Pass** The test result is within the specification uncertainty limit. In other words, the stiffness of the left and right pickoffs match the factory values plus or minus the specification uncertain limit. If transmitter zero and configuration match factory values, the sensor will meet factory specifications for flow and density measurement. It is expected that meters will pass meter verification every time the test is run.

- Fail** The test result is not within the specification uncertainty limit. Micro Motion recommends that you immediately repeat the meter verification test. If during the failed test you had set outputs to Continue Measurement, set outputs to Fault or Last Measured Value instead.
- If the meter passes the second test, the first result can be ignored.
  - If the meter fails the second test, the flow tubes may be damaged. Use your process knowledge to determine the possibilities for damage and the appropriate actions for each. These actions might include removing the meter from service and physically inspecting the tubes. At minimum, you should perform a flow validation and a density calibration.
- Abort** A problem occurred with the meter verification test (e.g., process instability) or you stopped the test manually. See [Table 12-1](#) for a list of abort codes, a description of each code, and possible actions you can take in response.

**Table 12-1: Smart Meter Verification abort codes**

Code	Description	Recommended actions
1	User-initiated abort	None required. Wait 15 seconds before starting another test.
3	Frequency drift	Ensure that temperature, flow, and density are stable, and rerun the test.
5	High drive gain	Ensure that flow is stable, minimize entrained gas, and rerun the test.
8	Unstable flow	Check factors that could cause process instability, then rerun the test. To maximize process stability: <ul style="list-style-type: none"> <li>• Maintain a constant fluid pressure and temperature.</li> <li>• Avoid changes to fluid composition, e.g., two-phase flow or settling.</li> <li>• Maintain a constant flow rate.</li> </ul>
13	No factory reference data for meter verification test performed on air	Contact Micro Motion.
14	No factory reference data for meter verification test performed on water	Contact Micro Motion.
15	No configuration data for meter verification	Contact Micro Motion.
Other	General abort	Repeat the test. If the test aborts again, contact Micro Motion.

### 12.1.3 Set up SMV automatic execution

- [Set up SMV automatic execution using the display](#)



- [Set up SMV automatic execution using ProLink III](#)
- [Set up SMV automatic execution using a web browser](#)

## Set up SMV automatic execution using the display

You can set up and run a single test at a user-defined future time. You can also set up and run tests automatically on a regular schedule.

Automatic execution of SMV is managed from the transmitter. You do not need a connection from an external configuration tool.

---

### Important

SMV test results from automatic execution are stored only on the transmitter. Only the 20 most recent results are stored. To view or chart these results using an external tool, you must upload them from the transmitter.

---

### Procedure

1. Choose Menu > Service Tools > Verification & Calibration > Smart Meter Verification > Schedule SMV.
2. To schedule a single test:
  - a. Set Hours to 1st Run to the number of hours to elapse before the test is run.
  - b. Set Hours Between to 0.
3. To schedule recurring execution:
  - a. Set Hours to 1st Run to the number of hours to elapse before the first test is run.
  - b. Set Hours Between to the number of hours to elapse between runs.
4. To disable automatic execution of a single test, set Hours to 1st Run to 0.
5. To disable recurring execution, set Hours Between to 0.
6. To disable all scheduled execution:
  - a. Set Hours to 1st Run to 0.
  - b. Set Hours Between to 0.

## Set up SMV automatic execution using ProLink III

You can set up and run a single test at a user-defined future time. You can also set up and run tests automatically on a regular schedule.

Automatic execution of SMV is managed from the transmitter. You do not need a connection from an external configuration tool.

---

### Important

SMV test results from automatic execution are stored only on the transmitter. Only the 20 most recent results are stored. To view or chart these results using an external tool, you must upload them from the transmitter.

---

### Procedure

1. Choose Device Tools > Diagnostics > Meter Verification > Schedule Meter Verification.
2. To schedule a single test:
  - a. Set Hours Until Next Run to the number of hours to elapse before the test is run.
  - b. Set Hours Between Recurring Runs to 0.
3. To schedule recurring execution:
  - a. Set Hours Until Next Run to the number of hours to elapse before the first test is run.
  - b. Set Hours Between to the number of hours to elapse between runs.
4. To disable automatic execution of a single test, set Hours Until Next Run to 0.
5. To disable recurring execution, set Hours Between to 0.
6. To disable all scheduled execution:
  - a. Set Hours Until Next Run to 0.
  - b. Set Hours Between to 0.

## Set up SMV automatic execution using a web browser

You can set up and run a single test at a user-defined future time. You can also set up and run tests automatically on a regular schedule.

Automatic execution of SMV is managed from the transmitter. You do not need a connection from an external configuration tool.

---

### Important

SMV test results from automatic execution are stored only on the transmitter. Only the 20 most recent results are stored. To view or chart these results using an external tool, you must upload them from the transmitter.

---

### Procedure

1. Choose Service Tools > Smart Meter Verification > Schedule Meter Verification.
2. To schedule a single test:
  - a. Set Hours Until Next Run to the number of hours to elapse before the test is run.
  - b. Set Hours Between Recurring Runs to 0.
3. To schedule recurring execution:
  - a. Set Hours Until Next Run to the number of hours to elapse before the first test is run.
  - b. Set Hours Between to the number of hours to elapse between runs.
4. To disable automatic execution of a single test, set Hours Until Next Run to 0.
5. To disable recurring execution, set Hours Between to 0.
6. If you have made changes to the scheduled execution, select Apply.

7. To disable all scheduled executions, select Disable Scheduled Execution.

## 12.2 Zero the meter

Display	Menu > Service Tools > Verification & Calibration > Meter Zero > Zero Calibration
ProLink III	Device Tools > Calibration > Smart Zero Verification and Calibration > Calibrate Zero
Web browser	Service Tools > Verification and Calibration > Meter Zero > Calibrate Zero

### Overview

Zeroing the flowmeter establishes a baseline for process measurement by analyzing the sensor's output when there is no flow through the sensor tubes.

### Important

In most cases, the factory zero is more accurate than the field zero. Do not zero the flowmeter unless one of the following is true:

- The zero is required by site procedures.
- The stored zero value fails the zero verification procedure.

### Prerequisites

Before zeroing the meter, perform a zero verification to see if the zero procedure is required. You may not need to zero the meter.

### Important

Do not verify the zero or zero the flowmeter if a high-severity alarm is active. Correct the problem, then verify the zero or zero the flowmeter. You may verify the zero or zero the flowmeter if a low-severity alarm is active.

### Procedure

1. Prepare the flowmeter:
  - a. Allow the flowmeter to warm up for at least 20 minutes after applying power.
  - b. Run the process fluid through the sensor until the sensor temperature reaches the normal process operating temperature.
  - c. Stop flow through the sensor by shutting the downstream valve, and then the upstream valve if available.
  - d. Verify that the sensor is blocked in, that flow has stopped, and that the sensor is completely full of process fluid.
  - e. Observe the drive gain, temperature, and density readings. If they are stable, check the Live Zero or Field Verification Zero value. If the average value is close to 0, you should not need to zero the flowmeter.
2. Modify Zero Time, if desired.

Zero Time controls the amount of time the transmitter takes to determine its zero-flow reference point. The default Zero Time is 20 seconds. For most applications, the default Zero Time is appropriate.

3. Start the zero procedure and wait until it completes.

When the calibration is complete:

- If the zero procedure was successful, a **Calibration Success** message and a new zero value are displayed.
- If the zero procedure failed, a **Calibration Failed** message is displayed.

### Postrequisites

Restore normal flow through the sensor by opening the valves.

**Need help?** If the zero fails:

- Ensure that there is no flow through the sensor, then retry.
- Remove or reduce sources of electromechanical noise, then retry.
- Set Zero Time to a lower value, then retry.
- If the zero continues to fail, contact Micro Motion.
- If you want to restore the most recent valid value from transmitter memory:
  - Using the display: Menu > Service Tools > Verification and Calibration > Meter Zero > Restore Zero > Restore Previous Zero
  - Using ProLink III: Device Tools > Calibration > Smart Zero Verification and Calibration > Calibrate Zero > Restore Prior Zero
- If you want to restore the factory zero:
  - Using the display: Menu > Service Tools > Verification and Calibration > Meter Zero > Restore Zero > Restore Factory Zero
  - Using ProLink III: Device Tools > Calibration > Smart Zero Verification and Calibration > Calibrate Zero > Restore Factory Zero

---

### Restriction

Restore the factory zero only if your flowmeter was purchased as a unit, it was zeroed at the factory, and you are using the original components.

---

### Related information

[Verify the zero](#)

## 12.2.1 Terminology used with zero verification and zero calibration

**Table 12-2: Terminology used with zero verification and zero calibration**

Term	Definition
Zero	In general, the offset required to synchronize the left pickoff and the right pickoff under conditions of zero flow. Unit = microseconds.
Factory Zero	The zero value obtained at the factory, under laboratory conditions.
Field Zero	The zero value obtained by performing a zero calibration outside the factory.
Prior Zero	The zero value stored in the transmitter at the time a field zero calibration is begun. May be the factory zero or a previous field zero.
Manual Zero	The zero value stored in the transmitter, typically obtained from a zero calibration procedure. It may also be configured manually. Also called “mechanical zero” or “stored zero.”
Live Zero	The real-time bidirectional mass flow rate with no flow damping or mass flow cutoff applied. An adaptive damping value is applied only when the mass flow rate changes dramatically over a very short interval. Unit = configured mass flow measurement unit.
Zero Stability	A laboratory-derived value used to calculate the expected accuracy for a sensor. Under laboratory conditions at zero flow, the average flow rate is expected to fall within the range defined by the Zero Stability value ( $0 \pm$ Zero Stability). Each sensor size and model has a unique Zero Stability value. Statistically, 95% of all data points should fall within the range defined by the Zero Stability value.
Zero Calibration	The procedure used to determine the zero value.
Zero Time	The time period over which the Zero Calibration procedure is performed. Unit = seconds.
Field Verification Zero	A 3-minute running average of the Live Zero value, calculated by the transmitter. Unit = configured mass flow measurement unit.
Zero Verification	A procedure used to evaluate the stored zero and determine whether or not a field zero can improve measurement accuracy.

## 12.3 Set up pressure compensation

Pressure compensation adjusts process measurement to compensate for the pressure effect on the sensor. The pressure effect is the change in the sensor’s sensitivity to flow and density caused by the difference between the calibration pressure and the process pressure.

### Tip

Not all sensors or applications require pressure compensation. The pressure effect for a specific sensor model can be found in the product data sheet located at [www.micromotion.com](http://www.micromotion.com). If you are uncertain about implementing pressure compensation, contact Micro Motion customer service.

- [Set up pressure compensation using the display](#) (Section 12.3.1)
- [Set up pressure compensation using ProLink III](#) (Section 12.3.2)
- [Set up pressure compensation using a web browser](#) (Section 12.3.3)

## 12.3.1 Set up pressure compensation using the display

Pressure compensation adjusts process measurement to compensate for the pressure effect on the sensor. The pressure effect is the change in the sensor's sensitivity to flow and density caused by the difference between the calibration pressure and the process pressure.

### Prerequisites

You will need the flow factor, density factor, and calibration pressure values for your sensor.

- For the flow factor and density factor, see the product data sheet for your sensor.
- For the calibration pressure, see the calibration sheet for your sensor. If the data is unavailable, use 20 PSI.

You must be able to supply pressure data to the transmitter.

### Procedure

1. Choose Menu > Configuration > Process Measurement > Pressure.
2. Set Units to the pressure unit used by the external pressure device.
3. Enter Flow Factor for your sensor.

The flow factor is the percent change in the flow rate per PSI. When entering the value, reverse the sign.

Example:

If the flow factor is 0.000004 % per PSI, enter -0.000004 % per PSI.

4. Enter Density Factor for your sensor.

The density factor is the change in fluid density, in g/cm<sup>3</sup>/PSI. When entering the value, reverse the sign.

Example:

If the density factor is 0.000006 g/cm<sup>3</sup>/PSI, enter -0.000006 g/cm<sup>3</sup>/PSI.

5. Set Calibration Pressure to the pressure at which your sensor was calibrated.

The calibration pressure is the pressure at which your sensor was calibrated, and defines the pressure at which there is no pressure effect. If the data is unavailable, enter 20 PSI.

6. Choose the method to be used to supply pressure data, and perform the required setup.

Method	Description	Setup
Digital communications	A host writes pressure data to the meter at appropriate intervals.	<ol style="list-style-type: none"> <li>Choose Menu &gt; Configuration &gt; Process Measurement &gt; Pressure Compensation &gt; External Pressure.</li> <li>Set External Pressure to On.</li> <li>Perform the necessary host programming and communications setup to write pressure data to the transmitter at appropriate intervals.</li> </ol>

### Postrequisites

Choose Menu > Service Tools > Service Data > View Process Variables and verify the external pressure value.

**Need help?** If the value is not correct:

- Ensure that the external device and the meter are using the same measurement unit.
- For digital communications:
  - Verify that the host has access to the required data.

## 12.3.2 Set up pressure compensation using ProLink III

Pressure compensation adjusts process measurement to compensate for the pressure effect on the sensor. The pressure effect is the change in the sensor's sensitivity to flow and density caused by the difference between the calibration pressure and the process pressure.

### Prerequisites

You will need the flow factor, density factor, and calibration pressure values for your sensor.

- For the flow factor and density factor, see the product data sheet for your sensor.
- For the calibration pressure, see the calibration sheet for your sensor. If the data is unavailable, use 20 PSI.

You must be able to supply pressure data to the transmitter.

### Procedure

- Choose Device Tools > Configuration > Process Measurement > Pressure Compensation.
- Set Pressure Compensation Status to Enabled.
- Set Pressure Unit to the unit used by the external pressure device.
- Enter the Density Factor and Flow Factor for your sensor.
  - Set Process Fluid to Liquid Volume or Gas Standard Volume, as appropriate.
  - Compare the values shown in Recommended Density Factor and Recommended Flow Factor to the values from the product data sheet.
  - To use the recommended values, click Accept Recommended Values.

- d. To use different factors, enter your values in the Density Factor and Flow Factor fields.

The density factor is the change in fluid density, in g/cm<sup>3</sup>/PSI. When entering the value, reverse the sign.

Example:

If the density factor is 0.000006 g/cm<sup>3</sup>/PSI, enter -0.000006 g/cm<sup>3</sup>/PSI.

The flow factor is the percent change in the flow rate per PSI. When entering the value, reverse the sign.

Example:

If the flow factor is 0.000004 % per PSI, enter -0.000004 % per PSI.

5. Set Flow Calibration Pressure to the pressure at which your sensor was calibrated.

The calibration pressure is the pressure at which your sensor was calibrated, and defines the pressure at which there is no pressure effect. If the data is unavailable, enter 20 PSI.

6. Choose the method you will use to supply pressure data, and perform the required setup.

Option	Description	Setup
Digital communications	A host writes pressure data to the meter at appropriate intervals.	<ol style="list-style-type: none"> <li>a. Set Pressure Source to Fixed Value or Digital Communications.</li> <li>b. Perform the necessary host programming and communications setup to write pressure data to the meter at appropriate intervals.</li> </ol>

### Postrequisites

The current pressure value is displayed in the External Pressure field. Verify that the value is correct.

**Need help?** If the value is not correct:

- Ensure that the external device and the meter are using the same measurement unit.
- For digital communications:
  - Verify that the host has access to the required data.

## 12.3.3 Set up pressure compensation using a web browser

Pressure compensation adjusts process measurement to compensate for the pressure effect on the sensor. The pressure effect is the change in the sensor's sensitivity to flow and density caused by the difference between the calibration pressure and the process pressure.



## Prerequisites

You will need the flow factor, density factor, and calibration pressure values for your sensor.

- For the flow factor and density factor, see the product data sheet for your sensor.
- For the calibration pressure, see the calibration sheet for your sensor. If the data is unavailable, use 20 PSI.

You must be able to supply pressure data to the transmitter.

## Procedure

1. Choose Configuration > Process Measurement > Pressure.
2. Set Pressure Compensation Status to Enabled.
3. Set Pressure Unit to the unit used by the external pressure device.
4. Enter the Density Factor and Flow Factor for your sensor.
  - a. Set Process Fluid to Liquid Volume or Gas Standard Volume, as appropriate.
  - b. Compare the values shown in Recommended Density Factor and Recommended Flow Factor to the values from the product data sheet.
  - c. To use the recommended values, click Accept Recommended Values.
  - d. To use different factors, enter your values in the Density Factor and Flow Factor fields.

The density factor is the change in fluid density, in  $\text{g}/\text{cm}^3/\text{PSI}$ . When entering the value, reverse the sign.

Example:

If the density factor is  $0.000006 \text{ g}/\text{cm}^3/\text{PSI}$ , enter  $-0.000006 \text{ g}/\text{cm}^3/\text{PSI}$ .

The flow factor is the percent change in the flow rate per PSI. When entering the value, reverse the sign.

Example:

If the flow factor is  $0.000004 \% \text{ per PSI}$ , enter  $-0.000004 \% \text{ per PSI}$ .

5. Set Flow Calibration Pressure to the pressure at which your sensor was calibrated.
 

The calibration pressure is the pressure at which your sensor was calibrated, and defines the pressure at which there is no pressure effect. If the data is unavailable, enter 20 PSI.
6. Choose the method you will use to supply pressure data, and perform the required setup.

Option	Description	Setup
Digital communications	A host writes pressure data to the meter at appropriate intervals.	<ol style="list-style-type: none"> <li>a. Set Pressure Source to Fixed Value or Digital Communications.</li> <li>b. Perform the necessary host programming and communications setup to write pressure data to the meter at appropriate intervals.</li> </ol>

### Postrequisites

The current pressure value is displayed in the External Pressure field. Verify that the value is correct.

**Need help?** If the value is not correct:

- Ensure that the external device and the meter are using the same measurement unit.
- For digital communications:
  - Verify that the host has access to the required data.

## 12.4 Validate the meter

Display	Menu > Configuration > Process Measurement > Flow Variables > Mass Flow Settings > Meter Factor Menu > Configuration > Process Measurement > Flow Variables > Volume Flow Settings > Meter Factor Menu > Configuration > Process Measurement > Density > Meter Factor
ProLink III	Device Tools > Configuration > Process Measurement > Flow > Mass Flow Rate Meter Factor Device Tools > Configuration > Process Measurement > Flow > Volume Flow Rate Meter Factor Device Tools > Configuration > Process Measurement > Density > Density Meter Factor
Web browser	Configuration > Process Measurement > Flow Variables > Mass Flow Rate Meter Factor Configuration > Process Measurement > Flow Variables > Volume Flow Rate Meter Factor Configuration > Process Measurement > Density > Density Meter Factor

### Overview

Meter validation compares flowmeter measurements reported by the transmitter to an external measurement standard. If the transmitter value for mass flow, volume flow, or density measurement is significantly different from the external measurement standard, you may want to adjust the corresponding meter factor. The flowmeter's actual measurement is multiplied by the meter factor, and the resulting value is reported and used in further processing.

### Prerequisites

Identify the meter factor(s) that you will calculate and set. You may set any combination of the three meter factors: mass flow, volume flow, and density. Note that all three meter factors are independent:

- The meter factor for mass flow affects only the value reported for mass flow.
- The meter factor for density affects only the value reported for density.

- The meter factor for volume flow affects only the value reported for volume flow or gas standard volume flow.

---

### Important

To adjust volume flow, you must set the meter factor for volume flow. Setting a meter factor for mass flow and a meter factor for density will not produce the desired result. The volume flow calculations are based on original mass flow and density values, before the corresponding meter factors have been applied.

---

If you plan to calculate the meter factor for volume flow, be aware that validating volume in the field may be expensive, and the procedure may be hazardous for some process fluids. Therefore, because volume is inversely proportional to density, an alternative to direct measurement is to calculate the meter factor for volume flow from the meter factor for density. See [Section 12.4.1](#) for instructions on this method.

Obtain a reference device (external measurement device) for the appropriate process variable.

---

### Important

For good results, the reference device must be highly accurate.

---

### Procedure

1. Determine the meter factor as follows:
  - a. Use the flowmeter to take a sample measurement.
  - b. Measure the same sample using the reference device.
  - c. Calculate the meter factor using the following formula:

$$\text{NewMeterFactor} = \text{ConfiguredMeterFactor} \times \left( \frac{\text{ReferenceMeasurement}}{\text{FlowmeterMeasurement}} \right)$$

2. Ensure that the calculated meter factor is between 0.8 and 1.2, inclusive. If the meter factor is outside these limits, contact Micro Motion customer service.
3. Configure the meter factor in the transmitter.

### Example: Calculating the meter factor for mass flow

The flowmeter is installed and validated for the first time. The mass flow measurement from the transmitter is 250.27 lb. The mass flow measurement from the reference device is 250 lb. The mass flow meter factor is calculated as follows:

$$\text{MeterFactor}_{\text{MassFlow}} = 1 \times \left( \frac{250}{250.27} \right) = 0.9989$$

The first meter factor for mass flow is 0.9989.

One year later, the flowmeter is validated again. The mass flow measurement from the transmitter is 250.07 lb. The mass flow measurement from the reference device is 250.25 lb. The new mass flow meter factor is calculated as follows:

$$\text{MeterFactor}_{\text{MassFlow}} = 0.9989 \times \left( \frac{250.25}{250.07} \right) = 0.9996$$

The new meter factor for mass flow is 0.9996.

## 12.4.1 Alternate method for calculating the meter factor for volume flow

The alternate method for calculating the meter factor for volume flow is used to avoid the difficulties that may be associated with the standard method.

This alternate method is based on the fact that volume is inversely proportional to density. It provides partial correction of the volume flow measurement by adjusting for the portion of the total offset that is caused by the density measurement offset. Use this method only when a volume flow reference is not available, but a density reference is available.

### Procedure

1. Calculate the meter factor for density, using the standard method (see [Validate the meter](#)).
2. Calculate the meter factor for volume flow from the meter factor for density:

$$\text{MeterFactor}_{\text{Volume}} = \left( \frac{1}{\text{MeterFactor}_{\text{Density}}} \right)$$

### Note

The following equation is mathematically equivalent to the first equation. You may use whichever version you prefer.

$$\text{MeterFactor}_{\text{Volume}} = \text{ConfiguredMeterFactor}_{\text{Density}} \times \left( \frac{\text{Density}_{\text{Flowmeter}}}{\text{Density}_{\text{Reference Device}}} \right)$$

3. Ensure that the calculated meter factor is between 0.8 and 1.2, inclusive. If the meter factor is outside these limits, contact Micro Motion customer service.
4. Configure the meter factor for volume flow in the transmitter.

## 12.5 Perform a (standard) D1 and D2 density calibration

Density calibration establishes the relationship between the density of the calibration fluids and the signal produced at the sensor. Density calibration includes the calibration of the D1 (low-density) and D2 (high-density) calibration points.

---

**Important**

Micro Motion flowmeters are calibrated at the factory, and normally do not need to be calibrated in the field. Calibrate the flowmeter only if you must do so to meet regulatory requirements. Contact Micro Motion before calibrating the flowmeter.

---

**Tip**

Micro Motion recommends using meter validation and meter factors, rather than calibration, to prove the meter against a regulatory standard or to correct measurement error.

---

- [Perform a D1 and D2 density calibration using the display](#) (Section 12.5.1)
- [Perform a D1 and D2 density calibration using ProLink III](#) (Section 12.5.2)
- [Perform a D1 and D2 density calibration using a web browser](#) (Section 12.5.3)

## 12.5.1 Perform a D1 and D2 density calibration using the display

**Prerequisites**

- During density calibration, the sensor must be completely filled with the calibration fluid, and flow through the sensor must be at the lowest rate allowed by your application. This is usually accomplished by closing the shutoff valve downstream from the sensor, then filling the sensor with the appropriate fluid.
- D1 and D2 density calibration require a D1 (low-density) fluid and a D2 (high-density) fluid. You may use air and water.
- The calibrations must be performed without interruption, in the order shown. Make sure that you are prepared to complete the process without interruption.
- Before performing the calibration, record your current calibration parameters. You can do this by saving the current configuration to a file on the PC. If the calibration fails, restore the known values.

**Procedure**

1. Close the shutoff valve downstream from the sensor.
2. Fill the sensor with the D1 fluid and allow the sensor to achieve thermal equilibrium.
3. Choose Menu > Service Tools > Verification and Calibration > Density Calibration.
4. Perform the D1 calibration.
  - a. Choose D1 (Air).
  - b. Enter the density of your D1 fluid.
  - c. Choose Start Calibration.
  - d. Wait for the calibration to complete.
  - e. Choose Finished.
5. Fill the sensor with the D2 fluid and allow the sensor to achieve thermal equilibrium.
6. Perform the D2 calibration.
  - a. Choose D2 (Water).

- b. Enter the density of your D2 fluid.
  - c. Choose Start Calibration.
  - d. Wait for the calibration to complete.
  - e. Choose Finished.
7. Open the shutoff valve.

## 12.5.2 Perform a D1 and D2 density calibration using ProLink III

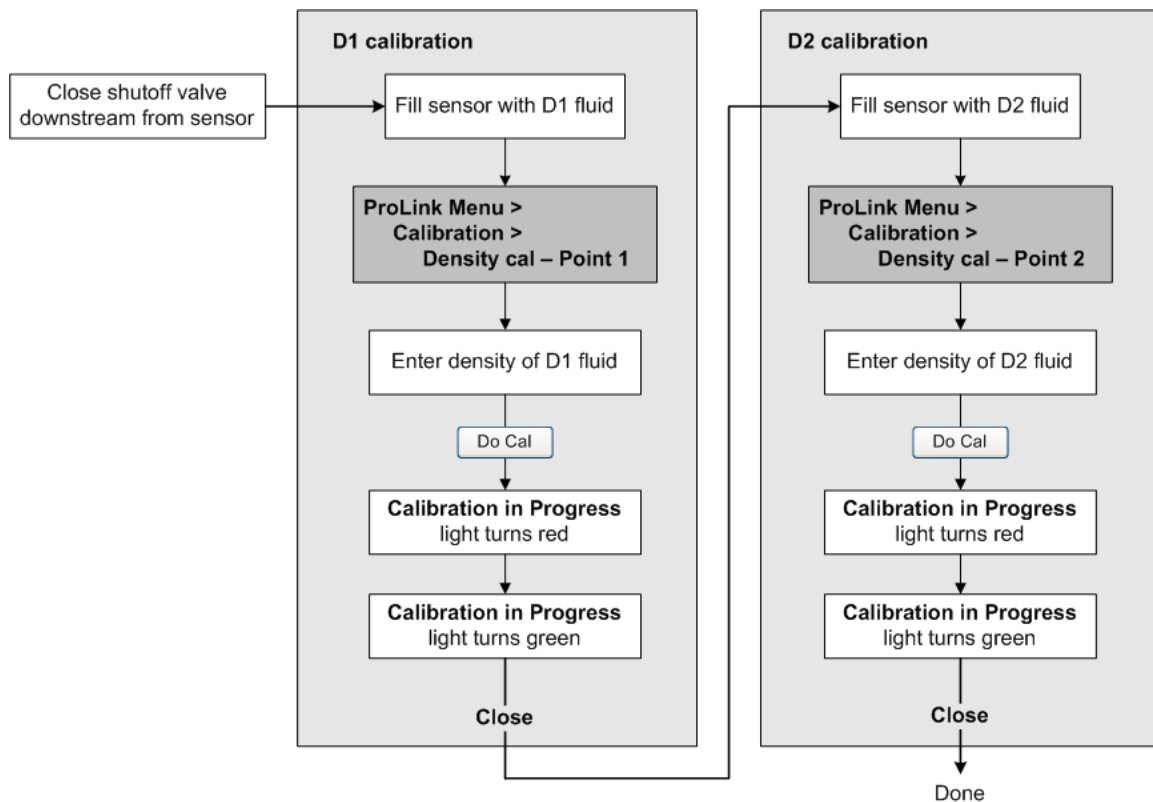
### Prerequisites

- During density calibration, the sensor must be completely filled with the calibration fluid, and flow through the sensor must be at the lowest rate allowed by your application. This is usually accomplished by closing the shutoff valve downstream from the sensor, then filling the sensor with the appropriate fluid.
- D1 and D2 density calibration require a D1 (low-density) fluid and a D2 (high-density) fluid. You may use air and water.
- The calibrations must be performed without interruption, in the order shown. Make sure that you are prepared to complete the process without interruption.
- Before performing the calibration, record your current calibration parameters. You can do this by saving the current configuration to a file on the PC. If the calibration fails, restore the known values.

### Procedure

See the following figure.

Figure 12-1: D1 and D2 density calibration using ProLink III



### 12.5.3 Perform a D1 and D2 density calibration using a web browser

#### Prerequisites

- During density calibration, the sensor must be completely filled with the calibration fluid, and flow through the sensor must be at the lowest rate allowed by your application. This is usually accomplished by closing the shutoff valve downstream from the sensor, then filling the sensor with the appropriate fluid.
- D1 and D2 density calibration require a D1 (low-density) fluid and a D2 (high-density) fluid. You may use air and water.
- The calibrations must be performed without interruption, in the order shown. Make sure that you are prepared to complete the process without interruption.
- Before performing the calibration, record your current calibration parameters. You can do this by saving the current configuration to a file on the PC. If the calibration fails, restore the known values.

#### Procedure

1. Close the shutoff valve downstream from the sensor.
2. Fill the sensor with D1 fluid.

3. Choose Service Tools > Verification and Calibration > Point 1 (Air)
4. Enter the correct value for Density of Calibration Fluid.
5. Click Start Calibration.
6. Wait for the calibration process to complete.
7. Fill the sensor with D2 fluid.
8. Choose Service Tools > Verification and Calibration > Point 2 (Water)
9. Enter the correct value for Density of Calibration Fluid.
10. Click Start Calibration.
11. Wait for the calibration process to complete.

## 12.6 Adjust concentration measurement with Trim Offset

Trim Offset adjusts the meter's concentration measurement to match a reference value.

---

### Tip

You can adjust concentration measurement by applying the trim offset only, or by applying both the trim offset and the trim slope. For most applications, the trim offset is sufficient.

---

### Prerequisites

Ensure that the active matrix is the one that you want to trim. You can set the offset separately for each matrix on your transmitter.

You must be able to take a sample of your process fluid and obtain a laboratory concentration value at line density and line temperature.

### Procedure

1. Take a concentration reading from the meter, and record line density and line temperature.
2. Take a sample of the process fluid and obtain a laboratory value for concentration at line density and line temperature, in the units used by the meter.
3. Subtract the meter value from the laboratory value.
4. Enter the result as the trim offset.
  - Using ProLink III: Choose Device Tools > Configuration > Process Measurement > Concentration Measurement, set Matrix Being Configured to your matrix, and enter Trim Offset.
5. Take another concentration reading from the meter, and compare it to the laboratory value.
  - If the two values are acceptably close, the trim is complete.
  - If the two values are not acceptably close, repeat this procedure.



**Example: Calculating the trim offset**

Laboratory value	64.21 °Brix
Meter value	64.93 °Brix

$$64.21 - 64.93 = -0.72$$

Concentration offset: -0.72

**Related information**

*Adjust concentration measurement with Trim Slope and Trim Offset*

## 12.7 Adjust concentration measurement with Trim Slope and Trim Offset

Trim Slope and Trim Offset adjust the meter's concentration measurement to match a reference value.

**Tip**

You can adjust concentration measurement by applying the trim offset only, or by applying both the trim offset and the trim slope. For most applications, the trim offset is sufficient.

**Prerequisites**

Ensure that the active matrix is the one that you want to trim. You can set the offset and slope separately for each matrix on your transmitter.

You must be able to take measurements of your process fluid at two different concentrations.

You must be able to take a sample of your process fluid at each of these concentrations.

For each sample, you must be able to obtain a laboratory concentration value at line density and line temperature.

**Procedure**

1. Collect data for Comparison 1.
  - a. Take a concentration reading from the meter and record line density and line temperature.
  - b. Take a sample of the process fluid at the current concentration.
  - c. Obtain a laboratory value for concentration at line density and line temperature, in the units used by the meter.
2. Collect data for Comparison 2.
  - a. Change the concentration of your process fluid.

- b. Take a concentration reading from the meter and record line density and line temperature.
  - c. Take a sample of the process fluid at the current concentration.
  - d. Obtain a laboratory value for concentration at line density and line temperature, in the units used by the meter.
3. Populate the following equation with values from each comparison.

$$\text{Concentration}_{\text{Lab}} = (A \times \text{Concentration}_{\text{Meter}}) + B$$

4. Solve for A (slope).
5. Solve for B (offset), using the calculated slope and one set of values.
6. Enter the results as the trim slope and the trim offset.
  - Using ProLink III: Choose Device Tools > Configuration > Process Measurement > Concentration Measurement, set Matrix Being Configured to your matrix, and enter Trim Slope and Trim Offset.
  - Using the EtherNet/IP: Choose Configure
7. Take another concentration reading from the meter, and compare it to the laboratory value.
  - If the two values are acceptably close, the trim is complete.
  - If the two values are not acceptably close, repeat this procedure.

**Example: Calculating the trim slope and the trim offset**

Comparison 1	Laboratory value	50.00%
	Meter value	49.98%
Comparison 2	Laboratory value	16.00%
	Meter value	15.99%

Populate the equations:

$$50 = (A \times 49.98) + B$$

$$16 = (A \times 15.99) + B$$

Solve for A:

$$50.00 - 16.00 = 34.00$$

$$49.98 - 15.99 = 33.99$$

$$34 = A \times 33.99$$

$$A = 1.00029$$

Solve for B:

$$50.00 = (1.00029 \times 49.98) + B$$

$$50.00 = 49.99449 + B$$

$$B = 0.00551$$

Concentration slope (A): 1.00029

Concentration offset (B): 0.00551

**Related information**

*[Adjust concentration measurement with Trim Offset](#)*

# 13 Maintenance

## Topics covered in this chapter:

- *Install a new transmitter license*
- *Upgrade the transmitter firmware*
- *Reboot the transmitter*
- *Battery replacement*

## 13.1 Install a new transmitter license

Display	Menu > Service Tools > License Manager
ProLink III	Device Tools > Configuration > Feature License
Web browser	Service Tools > License Manager

### Overview

Whenever you purchase additional features or request a trial license, you must install a new transmitter license. The new license makes the new features available on your transmitter. For concentration measurement and API referral, you may still need to enable the application.

### Prerequisites

You must have a license file provided by Micro Motion:

- perm.lic: Permanent license file
- temp.lic: Temporary license file

If you are planning to use the USB drive, the service port must be enabled. It is enabled by default. However, if you need to enable it, choose Menu > Configuration > Security and set Service Port to On.

### Procedure

- To install a license using the display:
  1. Copy the license file to a folder on a USB drive.

---

#### Important

You must copy the license file to a folder. You cannot put it in the root.

---

2. Open the wiring compartment on the transmitter and insert the USB drive into the service port.

**⚠ CAUTION!**

**If the transmitter is in a hazardous area, do not open the wiring compartment while the transmitter is powered up. Opening the wiring compartment while the transmitter is powered up could cause an explosion. Install the license using a method that does not require opening the wiring compartment.**

3. Choose Menu > USB Options > USB Drive --> Transmitter > Load License File.
  4. Select the folder containing the license file and follow the prompts.
- To install a license using ProLink III:
    1. Open the license file.
    2. Choose Device Tools > Configuration > Feature License.
    3. Copy the license from the file to the appropriate License Key field.
  - To install a license using a web browser:
    1. Open the license file.
    2. Choose Service Tools > License Manager.
    3. Copy the license from the file to the appropriate License Key field.

The features supported by the new license are displayed.

If you installed a temporary license, the transmitter will revert to its original feature set when the license period has expired. To purchase a feature for permanent use, contact Micro Motion.

**Postrequisites**

If you installed a permanent license, update the options model code to match the new license. The options model code represents the installed features.

**Related information**

*[Set informational parameters](#)*

## 13.2 Upgrade the transmitter firmware

You can upgrade the transmitter firmware to stay current with development and to take advantage of any new features.

- *[Upgrade the transmitter firmware using the display](#)* (Section 13.2.1)
- *[Upgrade the transmitter firmware using ProLink III](#)* (Section 13.2.2)

### 13.2.1 Upgrade the transmitter firmware using the display

You can upgrade the transmitter firmware to stay current with development and to take advantage of any new features.

### Prerequisites

You must have the firmware upgrade files provided by Micro Motion.

The service port must be enabled. It is enabled by default. However, if you need to enable it, choose Menu > Configuration > Security and set Service Port to On.

### Procedure

1. Copy the folder containing the firmware upgrade files to a USB drive.
2. Open the wiring compartment and insert the USB drive into the service port.

#### CAUTION!

**If the transmitter is in a hazardous area, do not open the wiring compartment. Contact Micro Motion for assistance.**

3. Choose Menu > USB Options > USB Drive --> Transmitter > Update Device Software.
4. Select the firmware upgrade folder and follow the prompts.

---

#### Note

If required, the transmitter upgrade procedure automatically includes an upgrade to the core processor software.

---

If you chose to reboot the transmitter at a later date, you can reboot it from the menu, or you can power-cycle it.

5. Verify the transmitter configuration and all safety parameters.  
See the verification steps in [Set up the Model 5700](#).
6. Enable write-protection.  
See [Section 3.1.3](#).

### Related information

[Reboot the transmitter](#)

## 13.2.2 Upgrade the transmitter firmware using ProLink III

You can upgrade the transmitter firmware to stay current with development and to take advantage of any new features.

### Prerequisites

You must have the firmware upgrade files provided by Micro Motion.

### Procedure

1. Choose Device Tools > Transmitter Software Update.
2. Navigate to the folder containing the firmware upgrade files.

3. Click Update.

---

**Note**

If required, the transmitter upgrade procedure automatically includes an upgrade to the core processor software.

---

If you chose to reboot the transmitter at a later date, you can reboot it from the display, or you can power-cycle it.

4. Verify the transmitter configuration and all safety parameters.

See the verification steps in [Set up the Model 5700](#).

5. Enable write-protection.

See [Section 3.1.3](#).

**Related information**

[Reboot the transmitter](#)

## 13.3 Reboot the transmitter

Display	Menu > Menu > Service Tools > Reboot Transmitter
ProLink III	<i>Not available</i>
Web browser	<i>Not available</i>

**Overview**

For certain configuration changes to take effect, the transmitter must be rebooted. You must also reboot the transmitter in order to clear certain status alerts.

Rebooting the transmitter has the same effect as power-cycling the transmitter.

**Prerequisites**

Follow appropriate procedures to select the appropriate time for rebooting the transmitter. The reboot typically takes about 10 seconds.

**Postrequisites**

Check the transmitter clock. During the reboot, the transmitter clock is powered by the battery, therefore the transmitter clock and all timestamps should be accurate. If the transmitter clock is not correct, the battery may need replacement.

**Related information**

[Battery replacement](#)

## 13.4 Battery replacement

The transmitter contains a battery that is used to power the clock when the transmitter is not powered up. Users cannot service or replace the battery. If the battery requires replacement, contact Micro Motion customer service.

If the battery is non-functional and the transmitter is powered down, then powered up, the clock will restart from the time of the power-down. All timestamps will be affected. You can correct the issue by resetting the transmitter clock. For a permanent resolution, the battery must be replaced.

### **Related information**

[\*RoHS and WEEE\*](#)



# 14 Log files, history files, and service files

## Topics covered in this chapter:

- [Generate history log files](#)
- [Generate service files](#)

## 14.1 Generate history log files

Display	Menu > USB Options > Transmitter --> USB Drive > Download Historical Files
ProLink III	Device Tools > Configuration Transfer > Download Historical Files
Web browser	Service Tools > Download Device Files

### Overview

The transmitter automatically saves historical data of several types, including process and diagnostic variables, Smart Meter Verification test results, and totalizer values. To access the historical data, you can generate a log file, then view it on your PC.

### Prerequisites

If you want to generate a totalizer history log, you must have previously configured the transmitter to record totalizer history. Totalizer history is not saved automatically.

If you plan to use the transmitter display:

- The service port must be enabled. It is enabled by default. However, if you need to enable it, choose Menu > Configuration > Security and set Service Port to On.
- You must have a USB drive.

### Procedure

1. If you are using the transmitter display, open the wiring compartment and insert the USB drive into the service port.

#### CAUTION!

**If the transmitter is in a hazardous area, do not open the wiring compartment while the transmitter is powered up. Opening the wiring compartment while the transmitter is powered up could cause an explosion.**

2. Select the type of log file that you want to generate.
3. If you selected historian data (process and diagnostic variables):
  - a. Set the date and time for the first entry in the historian log file.
  - b. Set the number of days that the log file will include.

- c. Select the record type.

Option	Description
1 Second Raw Data	The current values of process and diagnostic variables, recorded at 1-second intervals.
5 Min Average Data	The minimum and maximum values of the 1-second raw data over the last 5 minutes, plus the average and the standard deviation, recorded at 5-minute intervals.

The system provides an estimated file size or transfer time.

4. Specify the location where the log file will be saved.
- If you are using the display, the log file is written to the USB drive.
  - If you are using ProLink III, the log file is written to a folder on your PC.

The log file is written to the specified location. File names are assigned as follows:

- Historian files: The file name is based on the transmitter tag, the starting date of the log contents, and the record type. The record type is shown as F or S:
  - F=Fast, for 1-second raw data
  - S=Slow, for 5-minute average data
- SMV files:
  - SmvLast20Data.csv
  - SmvLongTermData.csv
- Totalizer history files: TotLog.txt

## 14.1.1 Historian data and log

The transmitter automatically saves information about specific process and diagnostic variables to its working memory. You can generate a log from this data. The historian log is an ASCII file in .csv format.

### Contents of the historian log

There are two types of historian records:

- |                              |  |
|------------------------------|--|
| <b>1-second raw data</b>     | The current values of process and diagnostic variables, recorded at 1-second intervals.  |
| <b>5-minute average data</b> | The minimum and maximum values of the 1-second raw data, plus the average and the standard deviation, calculated and recorded at 5-minute intervals. |

When you generate the log, you can specify which type of record you want to see.

The historian in the transmitter's working memory contains a minimum of 4 weeks of 1-second raw data and 10 years of 5-minute average data.

Each record contains data for the following process and diagnostic variables:

- Timestamp
  - Format: Military time
  - Time and time zone: Transmitter clock
- Mass flow rate (kg/sec)
- Volume flow rate (l/sec) or GSV flow rate
- Density (g/cm<sup>3</sup>)
- Line temperature (°C)
- External temperature (if available)
- Pressure (if available)
- If concentration measurement is enabled:
  - Standard volume flow rate
  - Net mass flow rate
  - Net volume flow rate
  - Referred density
  - Concentration
- If API referral is enabled:
  - CTPL or CTL
  - Corrected density
  - Corrected volume flow rate
- Alert status registers (hexadecimal format)
- Live zero (kg/sec)
- Tube frequency (Hz)
- Drive gain (%)
- Left pickoff (filtered) (V)
- Right pickoff (filtered) (V)
- Left pickoff (raw) (V)
- Delta T
- Case temperature (°C)
- Voltage applied to the core processor (V)
- Temperature of the core processor board (°C)
- Temperature of the transmitter electronics (°C)

### Historian data and power-cycles

Historian data is maintained across transmitter reboots and power-cycles.

### Historian data and configuration files

If you restore the factory configuration or upload a configuration file, existing historian data is not affected.

**Example: Historian log, 5-minute average data**

S TAG:SUPPLY UID:22729F1F SW: 000000045 800:000000402	MassFlow	MassFlow	MassFlow	MassFlow	...
DST ON:Mountain GMT-7.0 SM:T075 SN:000000000	kg/s Max	kg/s Min	kg/s Avg	kg/s Std	...
8/25/2014 9:58	0.0082359	0	0.00091223	9.76E-05	...
8/25/2014 10:03	0.001018	0.00084441	0.00091756	1.61E-05	...
8/25/2014 10:08	0.00099489	0.00086279	0.00092519	1.44E-05	...
8/25/2014 10:13	0.0010835	0.00080879	0.00093774	2.01E-05	...
8/25/2014 10:18	0.0011767	0.00084206	0.00094224	2.11E-05	...
8/25/2014 10:23	0.0010243	0.00086888	0.00094534	1.85E-05	...
8/25/2014 10:28	0.0010903	0.00084823	0.00094747	1.81E-05	...
8/25/2014 10:33	0.0010319	0.00085327	0.00095123	1.67E-05	...
8/25/2014 10:38	0.0011232	0.00088614	0.00095222	1.59E-05	...
8/25/2014 10:43	0.0010841	0.00081306	0.00095126	1.99E-05	...
8/25/2014 10:48	0.0010999	0.00086106	0.00095333	1.93E-05	...
8/25/2014 10:53	0.0011523	0.00085537	0.00095528	2.01E-05	...
...					

**Note**

The historian log is not translated. It always appears in English.

## 14.1.2 SMV history and SMV log

The transmitter automatically saves test data for all SMV (Smart Meter Verification) tests. You can generate a log containing data for the 20 most recent tests or for all SMV tests. The log is an ASCII file in .csv format.

**Contents of SMV log**

Each record in the SMV log represents an SMV test. Each record contains the following information:

- Date and time of test
- Data collected during the test
- The abort code (16=test completed normally)
- A pass/fail result for the left pickoff (0=Pass, 1=fail)
- A pass/fail result for the right pickoff (0=Pass, 1=fail)
- The sensor type code
- The sensor serial number

### SMV history and power-cycles

If the transmitter is rebooted or power-cycled, SMV history is not affected.

### SMV history and configuration files

If you restore the factory configuration or upload a configuration file, SMV history is not affected.

### Example: SMV log

Device UID: 577937183

Device Tag: SUPPLY

Time Zone: GMT -7.00

Date Time	LPO Stiff	RPO Stiff	LPO Mass	RPO Mass	Damping	Drv mA	...
8/13/2014 19:27	0.285876	0.289738	0.155294	0.158114	4.41E-05	1.301	...
8/14/2014 7:27	-0.06137	-0.05808	0.154748	0.157556	4.02E-05	1.304	...
8/14/2014 19:27	0.204754	0.20932	0.155185	0.158004	4.35E-05	1.308	...
8/15/2014 7:27	-0.15382	-0.15216	0.154612	0.157416	3.93E-05	1.307	...
8/18/2014 16:27	0.251067	0.251782	0.155217	0.158031	4.34E-05	1.308	...
8/19/2014 19:27	-0.13654	-0.14112	0.154602	0.157396	3.89E-05	1.287	...
8/20/2014 16:27	-0.20837	-0.20671	0.154502	0.157304	3.85E-05	1.291	...
8/21/2014 17:10	-0.11062	-0.11566	0.154641	0.157435	3.84E-05	1.288	...
8/22/2014 10:40	-0.15852	-0.16036	0.154512	0.157308	3.86E-05	1.284	...
8/25/2014 15:40	-0.00172	0.002301	0.154788	0.157599	4E-05	1.295	...
8/27/2014 23:16	0.132787	0.13684	0.155034	0.15785	4.08E-05	1.275	...
8/28/2014 11:16	0.04456	0.046158	0.154845	0.157653	3.99E-05	1.277	...
...							

---

#### Note

The SMV log is not translated. It always appears in English.

---

## 14.1.3 Totalizer history and log

You can configure the transmitter to save totalizer and inventory values at a user-specified interval. You can then generate a totalizer log. The totalizer log is a ASCII file.

### Contents of totalizer log

The totalizer log contains one record for each logged totalizer or inventory value. Each record contains the following information:

- Default totalizer or inventory name (user-specified names are not used)
- Value and measurement unit

- Timestamp
  - Format: Military time
  - Time and time zone: Transmitter clock

The totalizer log also contains a line item for each totalizer or inventory reset.

### Totalizer history and power-cycles

If the transmitter is rebooted or power-cycled, totalizer history is not affected.

### Totalizer history and configuration files

If you restore the factory configuration or upload a configuration file, totalizer history is not affected.

### Example: Totalizer log

```

=====
Device UID: 22729F1F                               Device Tag: SUPPLY
Name          Value          Units          Time Zone: GMT-7.00
=====
Mass Fwd Total    61.74707    grams          9/12/2014 20:00
Mass Fwd Inv     61.74705    grams          9/12/2014 20:00
Mass Fwd Total    61.74707    grams          9/12/2014 21:00
Mass Fwd Inv     61.74705    grams          9/12/2014 21:00
Mass Fwd Total    61.74707    grams          9/12/2014 22:00
Mass Fwd Inv     61.74705    grams          9/12/2014 22:00
Mass Fwd Total    61.74707    grams          9/12/2014 23:00
Mass Fwd Inv     61.74705    grams          9/12/2014 23:00
Mass Fwd Total    61.74707    grams          9/13/2014 0:00
Mass Fwd Inv     61.74705    grams          9/13/2014 0:00
...
    
```

---

#### Note

The totalizer history is not translated. It always appears in English.

---

## 14.2 Generate service files

The transmitter automatically saves several types of service data that is useful in troubleshooting, device maintenance, and administration. You can view the data by generating a service file and downloading it to a USB drive, then using your PC to open the file.

## Prerequisites

The service port must be enabled. It is enabled by default. However, if you need to enable it, choose Menu > Configuration > Security and set Service Port to On.

You must have a USB drive.

## Procedure

1. Open the wiring compartment on the transmitter and insert the USB drive into the service port.

### CAUTION!

**If the transmitter is in a hazardous area, do not open the wiring compartment while the transmitter is powered up. Opening the wiring compartment while the transmitter is powered up could cause an explosion.**

2. Choose Menu > USB Options > Transmitter --> USB > Download Service Files.
3. Select the service file that you want to generate.

Service file	Description	File name
Configura- tion Audit Log	All changes to configuration, including changes made by procedures such as zero calibration or density calibration.	ConfigAuditLog.txt
Alert History	All occurrences of alerts and conditions, independent of alert severity.	AlertLog.txt
Historian: 30 Days	Values of selected process and diagnostic variables for the last 30 days, recorded at 1-second intervals.	Concatenated from transmitter tag and date
Historian: 1 Day	Values of selected process and diagnostic variables for the last 24 hours, recorded at 1-second intervals.	Concatenated from transmitter tag and date
SMV: 20 Runs	Test data from the 20 most recent SMV tests.	SmvLast20Data.csv
Service Snap- shot	An ASCII file containing a snapshot of the transmitter's internal database. This file is used by Micro Motion customer service.	service.dump
Factory Con- fig File	The configuration file created for this transmitter at the factory.	FactoryConfig.cfg
Assert Log	A troubleshooting file used by Micro Motion customer service.	AssertLog.txt
Support Con- tact	A PDF file containing information for contacting Micro Motion customer service.	SupportContact.pdf
Security Log	A record of events that might indicate tampering.	SecurityLog.txt

4. Specify the folder on the USB drive where the log file will be saved.

## 14.2.1 Alert history and log

The transmitter automatically saves information about all alert occurrences to its working memory, and periodically updates an alert history file on its SD card. The alert history log is an ASCII file.

### Contents of alert history

The alert history in the transmitter's working memory contains the 1000 most recent alert records. Each alert record contains the following information:

- Name of alert or condition
- Category:
  - F=Failure
  - FC=Function Check
  - M=Maintenance Required
  - OOS=Out of Specification
  - I=Ignore
- Action:
  - Active=Transition from inactive to active
  - Inactive=Transition from active to inactive
  - Toggling=More than 2 transitions in the last 60 seconds
- Timestamp
  - Format: Military time
  - Time and time zone: Transmitter clock
  - Not displayed if Action=Toggling

### Alert history and power-cycles

If the transmitter is rebooted or power-cycled, the 20 most recent records in alert history are retained in the transmitter's working memory. All earlier records are cleared from working memory. The alert history file on the SD card is not cleared.

### Alert history and configuration files

If you restore the factory configuration or upload a configuration file, alert history is not affected.

### Example: Alert history log

```

=====
Device UID: 22729F1F                               Device Tag: SUPPLY
Name                                               Cat      Action      Time Zone: GMT-7.00
=====
    
```



[100]	MAO1 Saturated	OOS	Toggling	
[110]	FO1 Saturated	OOS	Toggling	
[105]	Two-Phase Flow	OOS	Inactive	15/SEP/2014 16:33:30
[105]	Two-Phase Flow	OOS	Toggling	
[035]	SMV Aborted	M	Active	15/SEP/2014 16:33:44
[100]	MAO1 Saturated	OOS	Active	15/SEP/2014 16:34:23
[110]	FO1 Saturated	OOS	Active	15/SEP/2014 16:34:23
[100]	MAO1 Saturated	OOS	Toggling	
[110]	FO1 Saturated	OOS	Toggling	
[105]	Two-Phase Flow	OOS	Inactive	15/SEP/2014 16:34:23
[105]	Two-Phase Flow	OOS	Toggling	
[100]	MAO1 Saturated	OOS	Inactive	15/SEP/2014 16:35:48
[110]	FO1 Saturated	OOS	Inactive	15/SEP/2014 16:35:48
...				

**Note**

The alert history is not translated. It always appears in English.

## 14.2.2 Configuration audit history and log

The transmitter automatically saves information about all configuration events to its working memory. The configuration audit log is an ASCII file.

### Contents of configuration audit log

The configuration audit log contains a record for every change to transmitter configuration, including changes resulting from zero calibration, density calibration, etc. Each record contains:

- Modbus location in transmitter memory
  - *Cnnn*=Coil
  - *Rnnn*=Register
  - *Rnnnxxx*=Array, indexed by register *xxx*
- Name of Modbus location
- Original value
- New value
- Measurement unit, if applicable
- Timestamp
  - Format: Military time
  - Time and time zone: Transmitter clock
- Host or protocol from which the change was made

### Configuration audit history and power-cycles

If the transmitter is power-cycled or rebooted, the event is logged in the configuration audit history. Earlier records are not affected.

### Configuration audit history and configuration files

If you restore the factory configuration or upload a configuration file, the event is logged in the configuration audit history. Earlier records are not affected.

### Example: Configuration audit log

```

=====
Device UID: 22729F1F
Device Tag: SUPPLY
Addr      Name           Old Value   New Value   Unit        Time Zone:   Host
                                     GMT-7:00
=====
C167     SYS_CfgFile_Re  0           1           09/SEP/2014 11:35:11    Display
C167     SYS_CfgFile_Re  0           0           09/SEP/2014 11:35:12    Other
1167     IO_ChannelB_As  10          4           09/SEP/2014 11:35:12    Other
351      SNS_API2540Tab  81          100        09/SEP/2014 11:35:12    Other
40       SNS_DensityUni  91          92         09/SEP/2014 11:35:12    Other
44       SNS_PressureUn  6           12         09/SEP/2014 11:35:12    Other
14       FO_1_Source     0           5           09/SEP/2014 11:35:12    Other
1180     MAI_Source      251         55         09/SEP/2014 11:35:12    Other
275     MAI_mA20Var    0           250.0      °C          09/SEP/2014 11:35:12    Other
4961     FO_2_Source     0           5           09/SEP/2014 11:35:12    Other
68       SYS_Tag         FT-0000     SUPPLY     09/SEP/2014 11:35:12    Other
159     SNS_K1          1606.9     1606.4     09/SEP/2014 11:35:12    Other
161     SNS_K2          1606.9     7354       09/SEP/2014 11:35:12    Other
=====

```

163	SNS_DensityTem	5.66	4.44	09/SEP/2014 11:35:12	Other
...					

**Note**

The configuration audit log is not translated. It always appears in English.

## 14.2.3 Assert history and log

The transmitter automatically saves information about all asserts. You can generate an assert log for use by Micro Motion customer service. The assert log is an ASCII file.

### Contents of assert log

The assert history contains the 1000 most recent asserts. An assert is an unusual event in the transmitter firmware that may indicate an error or malfunction. A list of asserts can be useful for troubleshooting by Micro Motion customer service. The assert log is not designed for customer use.

### Assert history and power-cycles

Assert history is not affected by reboots or power-cycles.

### Assert history and configuration files

If you restore the factory configuration or upload a configuration file, assert history is not affected.

## 14.2.4 Security log

The transmitter automatically saves data that helps determine if someone is tampering with the device. Counters are maintained to track the number of illegal configuration change requests, firmware upgrade failures, and failures to enter the display password. The security log is an ASCII file.

### Contents of security log

The security log contains a summary of security events that have occurred since the last transmitter reboot. The following items are included:

- Device information
- Timestamp
  - Format: Military time
  - Time and time zone: Transmitter clock
- Number of password entry failures
- Number of transmitter firmware upgrade failures
- Number of database write failures

### Security log and power-cycles

If the transmitter is rebooted or power-cycled, the security log is not affected.

### Security log and configuration files

If you attempt to restore the factory configuration or upload a configuration file when write-protection is enabled, the Database Write Failures counter is increased.

### Example: Security log file

```
TAG:SUPPLY      UID:22729F1F   SW:0045                DATE:23/SEP/2014
                                      14:42:58
Device:Config I/O                GMT-7.0 DST:DST Zone:(UTC-7:00) Denver
Addr                            Name                                Value
-----
5851                            Password Failures                   0
5852                            SW Upgrade Failures                0
5853                            Database Write Failures             25636
```

---

#### Note

The security log is not translated. It always appears in English.

---

# 15 Troubleshooting

## Topics covered in this chapter:

- *Status LED and device status*
- *Network status LED*
- *Status alerts, causes, and recommendations*
- *Flow measurement problems*
- *Density measurement problems*
- *Temperature measurement problems*
- *Velocity measurement problems*
- *API referral problems*
- *Concentration measurement problems*
- *Milliamp output problems*
- *Frequency output problems*
- *Discrete output problems*
- *Discrete input problems*
- *Check power supply wiring*
- *Check sensor-to-transmitter wiring*
- *Check grounding*
- *Perform loop tests*
- *Trim mA output*
- *Using sensor simulation for troubleshooting*
- *Check Lower Range Value and Upper Range Value*
- *Check mA Output Fault Action*
- *Check the scaling of the frequency output*
- *Check Frequency Output Fault Action*
- *Check the direction parameters*
- *Check the cutoffs*
- *Check for two-phase flow (slug flow)*
- *Check for radio frequency interference (RFI)*
- *Check the drive gain*
- *Check the pickoff voltage*
- *Check for internal electrical problems*
- *Perform a core processor resistance test*

## 15.1 Status LED and device status

The status LED (MOD STATUS) on the transmitter display provides a quick indication of device status by changing color and flashing. If the transmitter was ordered without a display, the LEDs on the outputs board inside the transmitter provide the same information.

**Table 15-1: Status LED and device status**

Status LED condition	Device status
Solid green	No alerts are active.
Solid yellow	One or more alerts are active with Alert Severity = Out of Specification, Maintenance Required, or Function Check.
Solid red	One or more alerts are active with Alert Severity = Failure.
Flashing yellow (1 Hz)	The Function Check in Progress alert is active.

## 15.2 Network status LED

The network status LED (NET STATUS) on the transmitter display provides a quick indication of the Ethernet network connection status by changing color and flashing.

**Table 15-2: Network status LED and Ethernet network connection status**

Network status LED condition	Ethernet network status
Flashing green	No connections made with primary protocol host.
Solid green	Connection made with primary protocol host.
Flashing red	Connection from primary protocol host has timed out.
Solid red	Address Conflict Detection (ACD) algorithm has detected a duplicate IP address.

## 15.3 Status alerts, causes, and recommendations

Table 15-3: Status alerts, causes, and recommendations

Alert	Conditions		
	Name	Cause	Recommended actions
Electronics Failed	[002] RAM Error (Core Processor)	<p>There is an internal memory problem with the core processor.</p> <p>This alert will not clear until you reboot or power-cycle the transmitter.</p>	<ul style="list-style-type: none"> <li>• Ensure that all wiring compartment covers are installed correctly.</li> <li>• Ensure that all transmitter wiring meets specifications and that all cable shields are properly terminated.</li> <li>• Verify that the drain wires from the 4-wire cable are properly landed. Micro Motion recommends landing the drain wires outside the core processor housing. If the drain wires are landed inside the core processor housing, they must be covered by the foil shield for their full length, until they land under the ground screw.</li> <li>• Ensure that all meter components are grounded properly.</li> <li>• Evaluate the environment for sources of high electromagnetic interference (EMI) and relocate the transmitter or wiring as necessary.</li> <li>• Reboot or power-cycle the transmitter to see if the alert clears.</li> <li>• Replace the core processor.</li> </ul>

**Table 15-3: Status alerts, causes, and recommendations (continued)**

Alert	Conditions		
	Name	Cause	Recommended actions
	[018] EEPROM Error (Transmitter)	<p>There is an internal memory problem with the transmitter.</p> <p>This alert will not clear until you reboot or power-cycle the transmitter.</p>	<ul style="list-style-type: none"> <li>• Ensure that all wiring compartment covers are installed correctly.</li> <li>• Ensure that all transmitter wiring meets specifications and that all cable shields are properly terminated.</li> <li>• Verify that the drain wires from the 4-wire cable are properly landed. Micro Motion recommends landing the drain wires outside the core processor housing. If the drain wires are landed inside the core processor housing, they must be covered by the foil shield for their full length, until they land under the ground screw.</li> <li>• Ensure that all meter components are grounded properly.</li> <li>• Evaluate the environment for sources of high electromagnetic interference (EMI) and relocate the transmitter or wiring as necessary.</li> <li>• Reboot or power-cycle the transmitter to see if the alert clears.</li> <li>• If the alert persists, replace the transmitter.</li> </ul>



**Table 15-3: Status alerts, causes, and recommendations (continued)**

Alert	Conditions		
	Name	Cause	Recommended actions
	[019] RAM Error (Transmitter)	<p>There is a ROM checksum mismatch in the transmitter or the RAM address location cannot be written in the transmitter.</p> <p>This alert will not clear until you reboot or power-cycle the transmitter.</p>	<ul style="list-style-type: none"> <li>• Ensure that all wiring compartment covers are installed correctly.</li> <li>• Ensure that all transmitter wiring meets specifications and that all cable shields are properly terminated.</li> <li>• Verify that the drain wires from the 4-wire cable are properly landed. Micro Motion recommends landing the drain wires outside the core processor housing. If the drain wires are landed inside the core processor housing, they must be covered by the foil shield for their full length, until they land under the ground screw.</li> <li>• Ensure that all meter components are grounded properly.</li> <li>• Evaluate the environment for sources of high electromagnetic interference (EMI) and relocate the transmitter or wiring as necessary.</li> <li>• Reboot or power-cycle the transmitter to see if the alert clears.</li> <li>• If the alert persists, replace the transmitter.</li> </ul>

**Table 15-3: Status alerts, causes, and recommendations (continued)**

Alert	Conditions		
	Name	Cause	Recommended actions
	[022] Configuration Database Corrupt (Core Processor)	There is a NVM checksum mismatch in the core processor's configuration memory. (Standard core processor only)	<ul style="list-style-type: none"> <li>• Ensure that all wiring compartment covers are installed correctly.</li> <li>• Ensure that all transmitter wiring meets specifications and that all cable shields are properly terminated.</li> <li>• Verify that the drain wires from the 4-wire cable are properly landed. Micro Motion recommends landing the drain wires outside the core processor housing. If the drain wires are landed inside the core processor housing, they must be covered by the foil shield for their full length, until they land under the ground screw.</li> <li>• Ensure that all meter components are grounded properly.</li> <li>• Evaluate the environment for sources of high electromagnetic interference (EMI) and relocate the transmitter or wiring as necessary.</li> <li>• Reboot or power-cycle the transmitter to see if the alert clears.</li> <li>• Replace the core processor.</li> </ul>

**Table 15-3: Status alerts, causes, and recommendations (continued)**

Alert	Conditions		
	Name	Cause	Recommended actions
	[024] Program Corrupt (Core Processor)	There is a checksum mismatch in the core processor's program section. (Standard core processor only)	<ul style="list-style-type: none"> <li>• Ensure that all wiring compartment covers are installed correctly.</li> <li>• Ensure that all transmitter wiring meets specifications and that all cable shields are properly terminated.</li> <li>• Verify that the drain wires from the 4-wire cable are properly landed. Micro Motion recommends landing the drain wires outside the core processor housing. If the drain wires are landed inside the core processor housing, they must be covered by the foil shield for their full length, until they land under the ground screw.</li> <li>• Ensure that all meter components are grounded properly.</li> <li>• Evaluate the environment for sources of high electromagnetic interference (EMI) and relocate the transmitter or wiring as necessary.</li> <li>• Reboot or power-cycle the transmitter to see if the alert clears.</li> <li>• Replace the core processor.</li> </ul>
	Watchdog Error	The watchdog timer has expired.	<ul style="list-style-type: none"> <li>• Reboot or power-cycle the transmitter to see if the alert clears.</li> <li>• If the alert persists, replace the transmitter.</li> </ul>
Sensor Failed	[003] Sensor Failed	The pickoff amplitude is too low.	<ul style="list-style-type: none"> <li>• Check the drive gain and the pickoff voltage.</li> <li>• Check the wiring between the sensor and the transmitter.</li> <li>• Check the sensor coils for electrical shorts. If you find problems, replace the sensor.</li> <li>• Check the integrity of the sensor tubes.</li> <li>• Ensure that the sensor is completely full or completely empty.</li> <li>• Replace the sensor.</li> <li>• Contact Micro Motion.</li> </ul>

**Table 15-3: Status alerts, causes, and recommendations (continued)**

Alert	Conditions		
	Name	Cause	Recommended actions
	[016] Sensor Temperature (RTD) Failure	The value computed for the resistance of the line RTD is outside limits	<ul style="list-style-type: none"> <li>• Check the wiring between the sensor and the transmitter.</li> <li>• Check your process conditions against the values reported by the device.</li> <li>• Check the sensor coils for electrical shorts. If you find problems, replace the sensor.</li> <li>• Check the feedthrough pins. Contact Micro Motion customer service for assistance. If you find problems, replace the sensor.</li> <li>• Check the core processor housing for moisture, corrosion, or verdigris.</li> <li>• Contact Micro Motion.</li> </ul>
	[017] Sensor Case Temperature (RTD) Failure	The values computed for the resistance of the meter and case RTDs are outside limits	<ul style="list-style-type: none"> <li>• Check the wiring between the sensor and the transmitter.</li> <li>• Check your process conditions against the values reported by the device.</li> <li>• Contact Micro Motion.</li> </ul>
Configuration Error	[020] Calibration Factors Missing	Some calibration factors have not been entered or are incorrect.	<ul style="list-style-type: none"> <li>• Verify characterization parameters (specifically Flow Cal Factor and K1 values).</li> <li>• Verify the setting of the Sensor Type parameter.</li> <li>• If Sensor Type=Curved Tube, ensure that no parameters specific to Straight Tube have been set.</li> <li>• Check the feedthrough pins. Contact Micro Motion customer service for assistance. If you find problems, replace the sensor.</li> <li>• Check the core processor housing for moisture, corrosion, or verdigris.</li> <li>• Check the sensor coils for electrical shorts. If you find problems, replace the sensor.</li> </ul>
	[021] Incorrect Sensor Type	Transmitter verification of sensor circuits and characterization has produced a discrepancy. The transmitter cannot operate the sensor.	<ul style="list-style-type: none"> <li>• Verify the setting of the Sensor Type parameter.</li> <li>• Verify characterization parameters (specifically Flow Cal Factor and K1 values).</li> <li>• Contact Micro Motion.</li> </ul>

**Table 15-3: Status alerts, causes, and recommendations (continued)**

Alert	Conditions		
	Name	Cause	Recommended actions
	[030] Incorrect Board Type	The firmware or configuration loaded in the transmitter is incompatible with the board type.	<ul style="list-style-type: none"> <li>• Ensure that the correct board is installed.</li> <li>• Reboot or power-cycle the transmitter to see if the alert clears.</li> <li>• If the alert persists, replace the transmitter.</li> <li>• Contact Micro Motion.</li> </ul>
	Core Processor Update Failed	The core processor software update failed.	<ul style="list-style-type: none"> <li>• Resolve any active alerts.</li> <li>• Check the connection between the transmitter and the core processor.</li> <li>• Reboot or power-cycle the transmitter, then retry the procedure.</li> <li>• Contact Micro Motion.</li> </ul>
	Password Not Set	Display security has been enabled but the display password has not been changed from the default value.	<ul style="list-style-type: none"> <li>• Configure a password or disable display security.</li> </ul>
	Time Not Entered	The system time has not been entered. The system time is required for diagnostic logs.	<ul style="list-style-type: none"> <li>• Set the system time.</li> </ul>
	Batcher Not Configured	One or more of the following has occurred: The batcher application is disabled; No flow source has been configured for the batcher application; The batch target is 0; No discrete output is assigned to batch control.	<ul style="list-style-type: none"> <li>• Verify the configuration of the batcher application and related parameters.</li> </ul>
	[120] Curve Fit Failure (Concentration)	The transmitter was unable to calculate a valid concentration matrix from the current data.	<ul style="list-style-type: none"> <li>• Verify the configuration of the concentration measurement application.</li> <li>• Contact Micro Motion.</li> </ul>
	Bad IP network settings	<ul style="list-style-type: none"> <li>• If DHCP is enabled, the DHCP server could not be found.</li> <li>• If DHCP is disabled, there is a mismatch between the IP address, Subnet mask and default gateway settings.</li> </ul>	<ul style="list-style-type: none"> <li>• Correct the network settings on the transmitter and/or the PC.</li> <li>• If the transmitter is installed on an Ethernet network, contact your network administrator to determine the correct network settings.</li> </ul>

**Table 15-3: Status alerts, causes, and recommendations (continued)**

Alert	Conditions		
	Name	Cause	Recommended actions
Core Low Power	[031] Low Power	The core processor is not receiving sufficient power. (Enhanced core processor only) This alert will not clear until you reboot or power-cycle the transmitter.	<ul style="list-style-type: none"> <li>• Check the wiring between the sensor and the transmitter.</li> <li>• Measure the voltage at the core processor terminals and ensure that it is receiving a minimum of 11.5 volts at all times. If it is not, verify the power wiring to the transmitter.</li> <li>• Verify that the transmitter is receiving sufficient power.                             <ul style="list-style-type: none"> <li>- If it is not, correct the problem and reboot or power-cycle the transmitter.</li> <li>- If it is, this suggests that the transmitter has an internal power issue. Replace the transmitter.</li> </ul> </li> </ul>
Sensor-Transmitter Communication Error	[026] Sensor/Transmitter Communications Failure	The transmitter has lost communication with the core processor, or there have been too many communications errors.	<ul style="list-style-type: none"> <li>• Check the wiring between the sensor and the transmitter.</li> <li>• Check the status LED on the core processor.</li> <li>• If the alert persists:                             <ul style="list-style-type: none"> <li>- Replace the core processor.</li> <li>- If that does not solve the problem, restore the original core processor and replace the transmitter.</li> <li>- If that does not solve the problem, replace both the transmitter and the core processor.</li> </ul> </li> </ul>
	[028] Core Process Write Failure	A write to the core processor failed.	<ul style="list-style-type: none"> <li>• Reboot or power-cycle the transmitter to see if the alert clears.</li> <li>• Replace the core processor.</li> </ul>
Tube Not Full	[033] Insufficient Pickoff Signal	The signal from the sensor pickoffs is insufficient for operation. (Enhanced core processor only)	<ul style="list-style-type: none"> <li>• Check for two-phase flow.</li> <li>• Check the sensor tubes for plugging or coating.</li> <li>• Check for fluid separation by monitoring the density value and comparing the results against expected density values.</li> <li>• Ensure that the sensor orientation is appropriate for your application. Settling from a two-phase or three-phase fluid can cause this alert even if the flow tubes are full.</li> </ul>

**Table 15-3: Status alerts, causes, and recommendations (continued)**

Alert	Conditions		
	Name	Cause	Recommended actions
Extreme Primary Purpose Variable	[005] Mass Flow Rate Overrange	The measured flow is outside the sensor's flow limits.	<ul style="list-style-type: none"> <li>• Check your process conditions against the values reported by the device.</li> <li>• Verify that the transmitter is configured correctly for the connected sensor.</li> <li>• Check for two-phase flow.</li> <li>• Contact Micro Motion.</li> </ul>
	[008] Density Overrange	The measured density is above 10 g/cm <sup>3</sup> .	<ul style="list-style-type: none"> <li>• Check your process conditions against the values reported by the device.</li> <li>• Verify that the transmitter is configured correctly for the connected sensor.</li> <li>• Check for two-phase flow.</li> <li>• Verify all of the characterization or calibration parameters. See the sensor tag or the calibration sheet for your meter.</li> <li>• Check the sensor coils for electrical shorts. If you find problems, replace the sensor.</li> <li>• Check the drive gain and the pickoff voltage.</li> <li>• Contact Micro Motion.</li> </ul>
Transmitter Initializing	[009] Transmitter Initializing/Warming Up	The transmitter is in power-up mode.	<ul style="list-style-type: none"> <li>• Allow the meter to complete its power-up sequence. The alert should clear automatically.</li> <li>• If the alert does not clear:                             <ul style="list-style-type: none"> <li>- Measure the voltage at the core processor terminals and ensure that it is receiving a minimum of 11.5 volts at all times. If it is not, verify the power wiring to the transmitter.</li> <li>- Verify that the tubes are full of process fluid.</li> <li>- Check the wiring between the sensor and the transmitter.</li> </ul> </li> </ul>
Function Check in Progress	[104] Calibration in Progress	A calibration is running.	<ul style="list-style-type: none"> <li>• Allow the procedure to complete.</li> </ul>
	[131] Meter Verification in Progress	A meter verification test is running.	<ul style="list-style-type: none"> <li>• Allow the procedure to complete.</li> </ul>

**Table 15-3: Status alerts, causes, and recommendations (continued)**

Alert	Conditions		
	Name	Cause	Recommended actions
Sensor Being Simulated	[132] Sensor Simulation Active	Sensor simulation mode is enabled. (Enhanced core processor only)	<ul style="list-style-type: none"> <li>• Disable sensor simulation.</li> </ul>
Output Fixed	mA Output 3 Fixed	The output is configured to send a constant value. A loop test may be in progress.	<ul style="list-style-type: none"> <li>• Check to see if a loop test is in process (the output is fixed).</li> <li>• Exit mA output trim, if applicable.</li> </ul>
	[111] Frequency Output 1 Fixed	The output is configured to send a constant value. A loop test may be in progress.	<ul style="list-style-type: none"> <li>• Check to see if a loop test is in process (the output is fixed).</li> </ul>
	[119] Discrete Output 2 Fixed	The output is set to a constant state. A loop test may be in progress.	<ul style="list-style-type: none"> <li>• Check to see if a loop test is in process (the output is fixed).</li> </ul>
Drive Over-Range	[102] Drive Overrange	The drive power (current/voltage) is at its maximum.	<ul style="list-style-type: none"> <li>• Check your process conditions against the values reported by the device.</li> <li>• Check for air in the flow tubes, tubes not filled, foreign material in the tubes, coating in the tubes, or other process problems.</li> <li>• Verify that the tubes are full of process fluid.</li> <li>• Check the drive gain and the pickoff voltage.</li> <li>• Check the sensor coils for electrical shorts. If you find problems, replace the sensor.</li> <li>• Ensure that the sensor orientation is appropriate for your application. Settling from a two-phase or three-phase fluid can cause this alert even if the flow tubes are full.</li> </ul>
Process Aberration	[105] Two-Phase Flow	The line density is outside the user-defined two-phase flow limits.	<ul style="list-style-type: none"> <li>• Check for two-phase flow.</li> <li>• Verify that the transmitter is configured correctly for the connected sensor.</li> </ul>
	[138] TBR Active	Drive gain is above the configured threshold and transient bubble remediation is active.	<ul style="list-style-type: none"> <li>• Check for air entrainment, tube fouling, flashing, or tube damage.</li> </ul>



**Table 15-3: Status alerts, causes, and recommendations (continued)**

Alert	Conditions		
	Name	Cause	Recommended actions
	[121] Extrapolation Alert (Concentration)	The line density or line temperature is outside the range of the concentration matrix plus the configured extrapolation limit.	<ul style="list-style-type: none"> <li>• Ensure that process density and temperature are within the limits of the concentration matrix.</li> <li>• Verify the configuration of the concentration measurement application.</li> </ul>
	[116] Temperature Overrange (API referral)	The line temperature is outside the range of the API table.	<ul style="list-style-type: none"> <li>• Ensure that process temperature is within the range of the API table.</li> <li>• Verify the configuration of the API referral application and related parameters.</li> </ul>
	[117] Density Overrange (API referral)	The line density is outside the range of the API table.	<ul style="list-style-type: none"> <li>• Ensure that process density is within the range of the API table.</li> <li>• Verify the configuration of the API referral application and related parameters.</li> </ul>
	[123] Pressure Overrange (API referral)	The line pressure is outside the range of the API table.	<ul style="list-style-type: none"> <li>• Ensure that process pressure is within the range of the API table.</li> <li>• Verify the configuration of the API referral application and related parameters.</li> </ul>
	Moderate Two-Phase Flow	The transmitter has detected moderate two-phase flow.	<ul style="list-style-type: none"> <li>• Check your process conditions against the values reported by the device.</li> </ul>
	Severe Two-Phase Flow	The transmitter has detected severe two-phase flow.	<ul style="list-style-type: none"> <li>• Check your process conditions against the values reported by the device.</li> </ul>
	Batch Time Out	The batch exceeded Maximum Batch Time, and was ended before the target was reached.	<ul style="list-style-type: none"> <li>• Verify the configuration of the batcher application and related parameters.</li> </ul>
Event Active	Enhanced Event 1 Active	The conditions assigned to Enhanced Event 1 are present.	<ul style="list-style-type: none"> <li>• If this is an accurate indication of process conditions, no action is required. The alert will clear when the process returns to normal.</li> <li>• Review event configuration if you believe the event was triggered erroneously.</li> </ul>

**Table 15-3: Status alerts, causes, and recommendations (continued)**

Alert	Conditions		
	Name	Cause	Recommended actions
	Enhanced Event 2 Active	The conditions assigned to Enhanced Event 2 are present.	<ul style="list-style-type: none"> <li>• If this is an accurate indication of process conditions, no action is required. The alert will clear when the process returns to normal.</li> <li>• Review event configuration if you believe the event was triggered erroneously.</li> </ul>
	Enhanced Event 3 Active	The conditions assigned to Enhanced Event 3 are present.	<ul style="list-style-type: none"> <li>• If this is an accurate indication of process conditions, no action is required. The alert will clear when the process returns to normal.</li> <li>• Review event configuration if you believe the event was triggered erroneously.</li> </ul>
	Enhanced Event 4 Active	The conditions assigned to Enhanced Event 4 are present.	<ul style="list-style-type: none"> <li>• If this is an accurate indication of process conditions, no action is required. The alert will clear when the process returns to normal.</li> <li>• Review event configuration if you believe the event was triggered erroneously.</li> </ul>
	Enhanced Event 5 Active	The conditions assigned to Enhanced Event 5 are present.	<ul style="list-style-type: none"> <li>• If this is an accurate indication of process conditions, no action is required. The alert will clear when the process returns to normal.</li> <li>• Review event configuration if you believe the event was triggered erroneously.</li> </ul>
	Event 1 Active	The conditions assigned to Basic Event 1 are present.	<ul style="list-style-type: none"> <li>• If this is an accurate indication of process conditions, no action is required. The alert will clear when the process returns to normal.</li> <li>• Review event configuration if you believe the event was triggered erroneously.</li> </ul>
	Event 2 Active	The conditions assigned to Basic Event 2 are present.	<ul style="list-style-type: none"> <li>• If this is an accurate indication of process conditions, no action is required. The alert will clear when the process returns to normal.</li> <li>• Review event configuration if you believe the event was triggered erroneously.</li> </ul>

**Table 15-3: Status alerts, causes, and recommendations (continued)**

Alert	Conditions		
	Name	Cause	Recommended actions
Output Saturated	mA Output 3 Saturated	The calculated output value is outside the range of the output.	<ul style="list-style-type: none"> <li>• Check the settings of Upper Range Value and Lower Range Value.</li> <li>• Check your process conditions against the values reported by the device.</li> <li>• Ensure that both devices are using the same measurement unit.</li> <li>• Purge the sensor tubes.</li> </ul>
	[110] Frequency Output 1 Saturated	The calculated output value is outside the range of the output.	<ul style="list-style-type: none"> <li>• Check the scaling of the frequency output.</li> <li>• Check your process conditions against the values reported by the device.</li> <li>• Ensure that both devices are using the same measurement unit.</li> <li>• Purge the sensor tubes.</li> </ul>
Function Check Failed or Meter Verification Aborted	[010] Calibration Failed	The calibration failed.	<ul style="list-style-type: none"> <li>• Ensure that your calibration procedure meets the documented requirements, reboot or power-cycle the transmitter, then retry the procedure.</li> </ul>
	[034] Meter Verification Failed	The meter verification test showed that the sensor response was not acceptably close to the baseline.	<ul style="list-style-type: none"> <li>• Minimize process instability and repeat the test.</li> </ul>
	[035] Meter Verification Aborted	The meter verification test did not complete, possibly because it was manually aborted or because process conditions were too unstable.	<ul style="list-style-type: none"> <li>• Minimize process instability and repeat the test.</li> <li>• Check the SMV abort code and take appropriate steps.</li> <li>• Contact Micro Motion.</li> </ul>
Data Loss Possible	[103] Data Loss Possible	The core processor was unable to store the totalizer and inventory values on the last power-down, and must rely on the saved totals. (Standard core processor only)	<ul style="list-style-type: none"> <li>• Verify that the transmitter is receiving sufficient power.                             <ul style="list-style-type: none"> <li>- If it is not, correct the problem and reboot or power-cycle the transmitter.</li> <li>- If it is, this suggests that the transmitter has an internal power issue. Replace the transmitter.</li> </ul> </li> </ul>
	SD Card Failure	The transmitter's SD card has failed.	<ul style="list-style-type: none"> <li>• Ensure that the SD card is firmly seated in the socket.</li> <li>• Contact Micro Motion.</li> </ul>
	No Permanent License	A permanent license has not been installed in the transmitter firmware.	<ul style="list-style-type: none"> <li>• Install a permanent license.</li> </ul>

**Table 15-3: Status alerts, causes, and recommendations (continued)**

Alert	Conditions		
	Name	Cause	Recommended actions
	Clock Failure	The transmitter's real-time clock is not incrementing.	<ul style="list-style-type: none"> <li>Contact Micro Motion.</li> </ul>
	SD Card Full	The transmitter's SD card is 90% full.	<ul style="list-style-type: none"> <li>Contact Micro Motion.</li> </ul>
	Transmitter Software Update Failed	The transmitter software update failed.	<ul style="list-style-type: none"> <li>Reboot or power-cycle the transmitter, then retry the procedure.</li> <li>Contact Micro Motion.</li> </ul>

## 15.4 Flow measurement problems

**Table 15-4: Flow measurement problems and recommended actions**

Problem	Possible causes	Recommended actions
Flow rate reported as zero when flow is present	<ul style="list-style-type: none"> <li>Process condition below cutoff</li> </ul>	<ul style="list-style-type: none"> <li>Verify the cutoffs.</li> </ul>
Flow indication at no flow conditions or zero offset	<ul style="list-style-type: none"> <li>Misaligned piping (especially in new installations)</li> <li>Open or leaking valve</li> <li>Incorrect sensor zero</li> </ul>	<ul style="list-style-type: none"> <li>Verify all of the characterization or calibration parameters. See the sensor tag or the calibration sheet for your meter.</li> <li>If the reading is not excessively high, review the live zero. You may need to restore the factory zero.</li> <li>Check for open or leaking valves or seals.</li> <li>Check for mounting stress on the sensor (e.g., sensor being used to support piping, misaligned piping).</li> <li>Contact Micro Motion.</li> </ul>

**Table 15-4: Flow measurement problems and recommended actions (continued)**

Problem	Possible causes	Recommended actions
Erratic non-zero flow rate at no-flow conditions	<ul style="list-style-type: none"> <li>• Leaking valve or seal</li> <li>• Two-phase flow</li> <li>• Plugged or coated sensor tube</li> <li>• Incorrect sensor orientation</li> <li>• Wiring problem</li> <li>• Vibration in pipeline at rate close to sensor tube frequency</li> <li>• Damping value too low</li> <li>• Mounting stress on sensor</li> </ul>	<ul style="list-style-type: none"> <li>• Verify that the sensor orientation is appropriate for your application. See the installation manual for your sensor.</li> <li>• Check the drive gain and the pickoff voltage.</li> <li>• If the wiring between the sensor and the transmitter includes a 9-wire segment, verify that the 9-wire cable shields are correctly grounded.</li> <li>• Check the wiring between the sensor and the transmitter.</li> <li>• For sensors with a junction box, check for moisture in the junction box.</li> <li>• Purge the sensor tubes.</li> <li>• Check for open or leaking valves or seals.</li> <li>• Check for sources of vibration.</li> <li>• Verify damping configuration.</li> <li>• Verify that the measurement units are configured correctly for your application.</li> <li>• Check for two-phase flow.</li> <li>• Check for radio frequency interference.</li> <li>• Contact Micro Motion.</li> </ul>
Erratic non-zero flow rate when flow is steady	<ul style="list-style-type: none"> <li>• Two-phase flow</li> <li>• Damping value too low</li> <li>• Plugged or coated sensor tube</li> <li>• Output wiring problem</li> <li>• Problem with receiving device</li> <li>• Wiring problem</li> </ul>	<ul style="list-style-type: none"> <li>• Verify that the sensor orientation is appropriate for your application. See the installation manual for your sensor.</li> <li>• Check the drive gain and the pickoff voltage.</li> <li>• If the wiring between the sensor and the transmitter includes a 9-wire segment, verify that the 9-wire cable shields are correctly grounded.</li> <li>• Check for air entrainment, tube fouling, flashing, or tube damage.</li> <li>• Check the wiring between the sensor and the transmitter.</li> <li>• For sensors with a junction box, check for moisture in the junction box.</li> <li>• Purge the sensor tubes.</li> <li>• Check for open or leaking valves or seals.</li> <li>• Check for sources of vibration.</li> <li>• Verify damping configuration.</li> <li>• Verify that the measurement units are configured correctly for your application.</li> <li>• Check for two-phase flow.</li> <li>• Check for radio frequency interference.</li> <li>• Contact Micro Motion.</li> </ul>

**Table 15-4: Flow measurement problems and recommended actions (continued)**

Problem	Possible causes	Recommended actions
Inaccurate flow rate	<ul style="list-style-type: none"> <li>• Wiring problem</li> <li>• Inappropriate measurement unit</li> <li>• Incorrect flow calibration factor</li> <li>• Incorrect meter factor</li> <li>• Incorrect density calibration factors</li> <li>• Incorrect grounding</li> <li>• Two-phase flow</li> <li>• Problem with receiving device</li> <li>• Incorrect sensor zero</li> </ul>	<ul style="list-style-type: none"> <li>• Check the wiring between the sensor and the transmitter.</li> <li>• Verify that the measurement units are configured correctly for your application.</li> <li>• Verify all of the characterization or calibration parameters. See the sensor tag or the calibration sheet for your meter.</li> <li>• Zero the meter.</li> <li>• Check the grounding of all components.</li> <li>• Check for two-phase flow.</li> <li>• Verify the receiving device, and the wiring between the transmitter and the receiving device.</li> <li>• Check the sensor coils for electrical shorts. If you find problems, replace the sensor.</li> <li>• Replace the core processor or transmitter.</li> </ul>

## 15.5 Density measurement problems

**Table 15-5: Density measurement problems and recommended actions**

Problem	Possible causes	Recommended actions
Erratic density reading	<ul style="list-style-type: none"> <li>• Normal process noise</li> <li>• Two-phase flow</li> <li>• Line pressure too low</li> <li>• The flow rate is too high for the installation</li> <li>• Pipe diameter too small</li> <li>• Contaminants or suspended solids in the process gas</li> <li>• Contaminants or suspended solids in the process fluid</li> <li>• Vibration in the pipeline</li> <li>• Erosion or corrosion</li> </ul>	<ul style="list-style-type: none"> <li>• Check your process conditions against the values reported by the device.</li> <li>• Increase the density damping value.</li> <li>• Decrease the flow rate.</li> <li>• Check for two-phase flow.</li> <li>• Ensure that line pressure or sample pressure meets installation requirements.</li> <li>• Increase back pressure to minimize bubble formation.</li> <li>• Minimize vibration in the pipeline.</li> <li>• Increase the pipe diameter.</li> <li>• Install a flow control method (bypass, flow chamber, expander, etc.).</li> <li>• Perform Smart Meter Verification.</li> </ul>

**Table 15-5: Density measurement problems and recommended actions (continued)**

Problem	Possible causes	Recommended actions
Inaccurate density reading	<ul style="list-style-type: none"> <li>• Problem with process fluid</li> <li>• Incorrect density calibration factors</li> <li>• Wiring problem</li> <li>• Incorrect grounding</li> <li>• Two-phase flow</li> <li>• Plugged or coated sensor tube</li> <li>• Incorrect sensor orientation</li> <li>• RTD failure</li> <li>• Physical characteristics of sensor have changed</li> </ul>	<ul style="list-style-type: none"> <li>• Check the wiring between the sensor and the transmitter.</li> <li>• Check the grounding of all components.</li> <li>• Check your process conditions against the values reported by the device.</li> <li>• Ensure that all of the calibration parameters have been entered correctly. See the sensor tag or the calibration sheet for your meter.</li> <li>• Check for two-phase flow.</li> <li>• If two sensors with similar frequency are too near each other, separate them.</li> <li>• Purge the sensor tubes.</li> <li>• Perform Smart Meter Verification.</li> </ul>
Unusually high density reading	<ul style="list-style-type: none"> <li>• Plugged or coated sensor tube</li> <li>• Incorrect density calibration factors</li> <li>• Inaccurate temperature measurement</li> <li>• RTD failure</li> <li>• In high-frequency meters, erosion or corrosion</li> <li>• In low-frequency meters, tube fouling</li> </ul>	<ul style="list-style-type: none"> <li>• Ensure that all of the calibration parameters have been entered correctly. See the sensor tag or the calibration sheet for your meter.</li> <li>• Purge the sensor tubes.</li> <li>• Check for coating in the flow tubes.</li> <li>• Perform Smart Meter Verification.</li> </ul>
Unusually low density reading	<ul style="list-style-type: none"> <li>• Two-phase flow</li> <li>• Incorrect calibration factors</li> <li>• In low-frequency meters, erosion or corrosion</li> </ul>	<ul style="list-style-type: none"> <li>• Check your process conditions against the values reported by the device.</li> <li>• Verify all of the characterization or calibration parameters. See the sensor tag or the calibration sheet for your meter.</li> <li>• Check the wiring between the sensor and the transmitter.</li> <li>• Check for tube erosion, especially if the process fluid is abrasive.</li> <li>• Perform Smart Meter Verification.</li> </ul>

## 15.6 Temperature measurement problems

**Table 15-6: Temperature measurement problems and recommended actions**

Problem	Possible causes	Recommended actions
Temperature reading significantly different from process temperature	<ul style="list-style-type: none"> <li>• RTD failure</li> <li>• Wiring problem</li> <li>• Incorrect calibration factors</li> <li>• Line temperature in bypass does not match temperature in main line</li> </ul>	<ul style="list-style-type: none"> <li>• For sensors with a junction box, check for moisture in the junction box.</li> <li>• Check the sensor coils for electrical shorts. If you find problems, replace the sensor.</li> <li>• Ensure that all of the calibration parameters have been entered correctly. See the sensor tag or the calibration sheet for your meter.</li> <li>• Refer to status alerts (especially RTD failure alerts).</li> <li>• Disable external temperature compensation.</li> <li>• Verify temperature calibration.</li> <li>• Check the wiring between the sensor and the transmitter.</li> </ul>
Temperature reading slightly different from process temperature	<ul style="list-style-type: none"> <li>• Sensor temperature not yet equalized</li> <li>• Sensor leaking heat</li> </ul>	<ul style="list-style-type: none"> <li>• If the error is within the temperature specification for the sensor, there is no problem. If the temperature measurement is outside the specification, contact Micro Motion.</li> <li>• The temperature of the fluid may be changing rapidly. Allow sufficient time for the sensor to equalize with the process fluid.</li> <li>• Install thermal installation, up to but not over, the transmitter housing.</li> <li>• Check the sensor coils for electrical shorts. If you find problems, replace the sensor.</li> <li>• The RTD may not be making good contact with the sensor. The sensor may need to be replaced.</li> </ul>
Inaccurate temperature data from external device	<ul style="list-style-type: none"> <li>• Wiring problem</li> <li>• Problem with input configuration</li> <li>• Problem with external device</li> </ul>	<ul style="list-style-type: none"> <li>• Verify the wiring between the transmitter and the external device.</li> <li>• Verify that the external device is operating correctly.</li> <li>• Verify the configuration of the temperature input.</li> <li>• Ensure that both devices are using the same measurement unit.</li> </ul>



## 15.7 Velocity measurement problems

### Important

If you are measuring gas, minor inaccuracy in velocity readings is expected. If this is an issue for your application, contact Micro Motion.

**Table 15-7: Velocity measurement problems and recommended actions**

Problem	Possible causes	Recommended actions
Non-zero velocity reading at no-flow conditions or at zero offset	<ul style="list-style-type: none"> <li>• Misaligned piping (especially in new installations)</li> <li>• Open or leaking valve</li> <li>• Incorrect sensor zero</li> </ul>	<ul style="list-style-type: none"> <li>• Zero the meter.</li> <li>• Check for open or leaking valves or seals.</li> <li>• Check for mounting stress on the sensor (e.g., sensor being used to support piping, misaligned piping).</li> <li>• Contact Micro Motion.</li> </ul>
Erratic non-zero flow rate at no-flow conditions	<ul style="list-style-type: none"> <li>• Leaking valve or seal</li> <li>• Two-phase flow</li> <li>• Plugged or coated sensor tube</li> <li>• Incorrect sensor orientation</li> <li>• Wiring problem</li> <li>• Vibration in pipeline at rate close to sensor tube frequency</li> <li>• Damping value too low</li> <li>• Mounting stress on sensor</li> </ul>	<ul style="list-style-type: none"> <li>• Verify that the sensor orientation is appropriate for your application. See the installation manual for your sensor.</li> <li>• Check the drive gain and the pickoff voltage.</li> <li>• Purge the sensor tubes.</li> <li>• Check for open or leaking valves or seals.</li> <li>• Check for sources of vibration.</li> <li>• Verify damping configuration.</li> <li>• Verify that the measurement units are configured correctly for your application.</li> <li>• Check for two-phase flow.</li> <li>• Check for radio frequency interference.</li> <li>• Contact Micro Motion.</li> </ul>
Erratic non-zero velocity reading when velocity is steady	<ul style="list-style-type: none"> <li>• Two-phase flow</li> <li>• Damping value too low</li> <li>• Plugged or coated sensor tube</li> <li>• Output wiring problem</li> <li>• Problem with receiving device</li> <li>• Wiring problem</li> </ul>	<ul style="list-style-type: none"> <li>• Verify that the sensor orientation is appropriate for your application. See the installation manual for your sensor.</li> <li>• Check the drive gain and the pickoff voltage.</li> <li>• Check for air entrainment, tube fouling, flashing, or tube damage.</li> <li>• Purge the sensor tubes.</li> <li>• Check for open or leaking valves or seals.</li> <li>• Check for sources of vibration.</li> <li>• Verify damping configuration.</li> <li>• Verify that the measurement units are configured correctly for your application.</li> <li>• Check for two-phase flow.</li> <li>• Check for radio frequency interference.</li> <li>• Contact Micro Motion.</li> </ul>

**Table 15-7: Velocity measurement problems and recommended actions (continued)**

Problem	Possible causes	Recommended actions
Inaccurate velocity reading	<ul style="list-style-type: none"> <li>• Wiring problem</li> <li>• Inappropriate measurement unit</li> <li>• Incorrect flow calibration factor</li> <li>• Incorrect density calibration factors</li> <li>• Incorrect grounding</li> <li>• Two-phase flow</li> <li>• Problem with receiving device</li> <li>• Incorrect sensor zero</li> </ul>	<ul style="list-style-type: none"> <li>• Verify that the measurement units are configured correctly for your application.</li> <li>• Zero the meter.</li> <li>• Check the grounding of all components.</li> <li>• Check for two-phase flow.</li> <li>• Verify the receiving device, and the wiring between the transmitter and the receiving device.</li> <li>• Replace the core processor or transmitter.</li> </ul>

## 15.8 API referral problems

**Table 15-8: API referral problems and recommended actions**

Problem	Possible causes	Recommended actions
Extrapolation alert is active	<ul style="list-style-type: none"> <li>• Line pressure, line temperature, or line density is outside the range of the configured API table</li> </ul>	<ul style="list-style-type: none"> <li>• Check your process conditions against the values reported by the device.</li> <li>• Verify the configuration of the API referral application and related parameters.</li> </ul>
Inaccurate referred density reading	<ul style="list-style-type: none"> <li>• Inaccurate density measurement</li> <li>• Inaccurate temperature measurement</li> <li>• Incorrect reference conditions</li> <li>• Incorrect API table selection</li> </ul>	<ul style="list-style-type: none"> <li>• Verify the line density value.</li> <li>• Verify the line temperature value.</li> <li>• Ensure that the application is configured to use the appropriate temperature source.</li> <li>• Ensure that the pressure source is configured correctly, that the external pressure device is operating correctly, and that both devices are using the same measurement units.</li> <li>• Ensure that reference temperature and reference pressure, if applicable, are configured correctly.</li> <li>• Ensure that the selected API table is appropriate for the process fluid.</li> </ul>

## 15.9 Concentration measurement problems

**Table 15-9: Concentration measurement problems and recommended actions**

Problem	Possible causes	Recommended actions
Significantly incorrect concentration measurement after loading matrix	<ul style="list-style-type: none"> <li>The wrong temperature or density unit was configured when the matrix was loaded</li> </ul>	<ul style="list-style-type: none"> <li>Set the temperature and density units to the units used when the matrix was built, then reload the matrix. For custom matrices, contact Micro Motion.</li> </ul>
Inaccurate concentration reading	<ul style="list-style-type: none"> <li>Inaccurate density measurement</li> <li>Inaccurate temperature measurement</li> <li>Incorrect reference conditions</li> <li>Incorrect matrix data</li> <li>Inappropriate trim values</li> </ul>	<ul style="list-style-type: none"> <li>Verify the line density value.</li> <li>Verify the line temperature value.</li> <li>Ensure that the application is configured to use the appropriate temperature source.</li> <li>Ensure that reference temperature is configured correctly.</li> <li>Ensure that the appropriate matrix is active.</li> <li>Ensure that the matrix is configured correctly.</li> <li>Adjust the extrapolation limits for the active matrix.</li> <li>Adjust measurement with a concentration offset trim.</li> </ul>

## 15.10 Milliamp output problems

**Table 15-10: Milliamp output problems and recommended actions**

Problem	Possible causes	Recommended actions
No mA output	<ul style="list-style-type: none"> <li>Output not powered</li> <li>Power supply problem</li> <li>Wiring problem</li> <li>Circuit failure</li> <li>Channel not configured for desired output or input</li> <li>Incorrect internal/external power configuration</li> </ul>	<ul style="list-style-type: none"> <li>If applicable, check the output wiring to verify that the output is powered.</li> <li>Check the power supply and power supply wiring.</li> <li>Verify the output wiring.</li> <li>Check the Fault Action settings.</li> <li>Verify channel configuration for the affected mA output.</li> <li>Measure DC voltage across output terminals to verify that the output is active.</li> <li>Contact Micro Motion.</li> </ul>

**Table 15-10: Milliamp output problems and recommended actions (continued)**

Problem	Possible causes	Recommended actions
Loop test failed	<ul style="list-style-type: none"> <li>• Output not powered</li> <li>• Power supply problem</li> <li>• Wiring problem</li> <li>• Circuit failure</li> <li>• Channel not configured for desired output or input</li> <li>• Incorrect internal/external power configuration</li> </ul>	<ul style="list-style-type: none"> <li>• Check the power supply and power supply wiring.</li> <li>• Verify the output wiring.</li> <li>• Check the Fault Action settings.</li> <li>• Verify channel configuration for the affected mA output.</li> <li>• Contact Micro Motion.</li> </ul>
mA output below 4 mA	<ul style="list-style-type: none"> <li>• Incorrect internal/external power configuration</li> <li>• Output not powered</li> <li>• Open in wiring</li> <li>• Bad output circuit</li> <li>• Process condition below LRV</li> <li>• LRV and URV are not set correctly</li> <li>• Fault condition if Fault Action is set to Internal Zero or Downscale</li> <li>• Bad mA receiving device</li> </ul>	<ul style="list-style-type: none"> <li>• Check your process conditions against the values reported by the device.</li> <li>• Verify the receiving device, and the wiring between the transmitter and the receiving device.</li> <li>• Check the settings of Upper Range Value and Lower Range Value.</li> <li>• Check the Fault Action settings.</li> <li>• Verify channel configuration for the affected mA output.</li> </ul>
Constant mA output	<ul style="list-style-type: none"> <li>• Incorrect process variable assigned to the output</li> <li>• Fault condition exists</li> <li>• A loop test is in progress</li> <li>• Zero calibration failure</li> <li>• mA Output Direction not set correctly</li> </ul>	<ul style="list-style-type: none"> <li>• Verify the output variable assignments.</li> <li>• View and resolve any existing alert conditions.</li> <li>• Check the direction parameters.</li> <li>• Check to see if a loop test is in process (the output is fixed).</li> <li>• If related to a zero calibration failure, reboot or power-cycle the transmitter and retry the zeroing procedure.</li> </ul>
mA output consistently out of range	<ul style="list-style-type: none"> <li>• Incorrect process variable or units assigned to output</li> <li>• Fault condition if Fault Action is set to Upscale or Downscale</li> <li>• LRV and URV are not set correctly</li> </ul>	<ul style="list-style-type: none"> <li>• Verify the output variable assignments.</li> <li>• Verify the measurement units configured for the output.</li> <li>• Check the Fault Action settings.</li> <li>• Check the settings of Upper Range Value and Lower Range Value.</li> <li>• Check the mA output trim.</li> </ul>
Consistently incorrect mA measurement	<ul style="list-style-type: none"> <li>• Loop problem</li> <li>• Output not trimmed correctly</li> <li>• Incorrect measurement unit configured for process variable</li> <li>• Incorrect process variable configured</li> <li>• LRV and URV are not set correctly</li> <li>• mA Output Direction not set correctly</li> </ul>	<ul style="list-style-type: none"> <li>• Check the mA output trim.</li> <li>• Verify the measurement units configured for the output.</li> <li>• Verify the process variable assigned to the mA output.</li> <li>• Check the direction parameters.</li> <li>• Check the settings of Upper Range Value and Lower Range Value.</li> </ul>
mA output correct at lower current, but incorrect at higher current	<ul style="list-style-type: none"> <li>• mA loop resistance may be set too high</li> </ul>	<ul style="list-style-type: none"> <li>• Verify that the mA output load resistance is below the maximum supported load. See the installation manual for your transmitter.</li> </ul>

**Table 15-10: Milliamp output problems and recommended actions (continued)**

Problem	Possible causes	Recommended actions
mA output goes in and out of fault conditions	<ul style="list-style-type: none"> <li>Interaction between the Output Saturated alert and the fault action configured for the output</li> </ul>	<ul style="list-style-type: none"> <li>Change the severity of the Output Saturated alert from Fault to another option.</li> <li>Configure the transmitter to ignore the Output Saturated alert or the relevant conditions.</li> <li>Change the configuration of Fault Action from Downscale to another option.</li> </ul>

## 15.11 Frequency output problems

**Table 15-11: Frequency output problems and recommended actions**

Problem	Possible causes	Recommended actions
No frequency output	<ul style="list-style-type: none"> <li>Stopped totalizer</li> <li>Process condition below cutoff</li> <li>Fault condition if Fault Action is set to Internal Zero or Downscale</li> <li>Two-phase flow</li> <li>Flow in reverse direction from configured flow direction parameter</li> <li>Frequency Output Direction not set correctly</li> <li>Bad frequency receiving device</li> <li>Output level not compatible with receiving device</li> <li>Bad output circuit</li> <li>Incorrect internal/external power configuration</li> <li>Incorrect pulse width configuration</li> <li>Output not powered</li> <li>Wiring problem</li> <li>Channel not configured for desired output or input</li> </ul>	<ul style="list-style-type: none"> <li>Verify that the process conditions are below the low-flow cutoff. Reconfigure the low-flow cutoff if necessary.</li> <li>Check the Fault Action settings.</li> <li>Verify that the totalizers are not stopped. A stopped totalizer will cause the frequency output to be locked.</li> <li>Check for two-phase flow.</li> <li>Check flow direction.</li> <li>Check the direction parameters.</li> <li>Verify the receiving device, and the wiring between the transmitter and the receiving device.</li> <li>Verify that the channel is wired and configured as a frequency output.</li> <li>Verify the power configuration for the frequency output (internal vs. external).</li> <li>Check the pulse width.</li> <li>Perform a loop test.</li> </ul>
Consistently incorrect frequency measurement	<ul style="list-style-type: none"> <li>Output not scaled correctly</li> <li>Incorrect measurement unit configured for process variable</li> </ul>	<ul style="list-style-type: none"> <li>Check the scaling of the frequency output.</li> <li>Verify that the measurement units are configured correctly for your application.</li> </ul>
Erratic frequency output	<ul style="list-style-type: none"> <li>Radio frequency interference (RFI) from environment</li> </ul>	<ul style="list-style-type: none"> <li>Check for radio frequency interference.</li> </ul>

**Table 15-11: Frequency output problems and recommended actions (continued)**

Problem	Possible causes	Recommended actions
Frequency output goes in and out of fault conditions	<ul style="list-style-type: none"> <li>Interaction between the Output Saturated alert and the fault action configured for the output</li> </ul>	<ul style="list-style-type: none"> <li>Change the severity of the Output Saturated alert from Fault to another option.</li> <li>Configure the transmitter to ignore the Output Saturated alert or the relevant conditions.</li> <li>Change the configuration of Fault Action from Downscale to another option.</li> </ul>

## 15.12 Discrete output problems

**Table 15-12: Discrete output problems and recommended actions**

Problem	Possible causes	Recommended actions
No discrete output	<ul style="list-style-type: none"> <li>Output not powered</li> <li>Wiring problem</li> <li>Channel not configured for desired output or input</li> <li>Circuit failure</li> </ul>	<ul style="list-style-type: none"> <li>Check the power supply and power supply wiring.</li> <li>Verify the output wiring.</li> <li>Verify that the channel is wired and configured as a discrete output.</li> <li>Contact Micro Motion.</li> </ul>
Loop test failed	<ul style="list-style-type: none"> <li>Output not powered</li> <li>Power supply problem</li> <li>Wiring problem</li> <li>Circuit failure</li> </ul>	<ul style="list-style-type: none"> <li>Check the power supply and power supply wiring.</li> <li>Verify the output wiring.</li> <li>Contact Micro Motion.</li> </ul>
Discrete output readings reversed	<ul style="list-style-type: none"> <li>Wiring problem</li> <li>Configuration does not match wiring</li> </ul>	<ul style="list-style-type: none"> <li>Verify the output wiring.</li> <li>Ensure that Discrete Output Polarity is set correctly.</li> </ul>

## 15.13 Discrete input problems

**Table 15-13: Discrete input problems and recommended actions**

Problem	Possible causes	Recommended actions
No discrete input	<ul style="list-style-type: none"> <li>• Wiring problem</li> <li>• Problem with external device</li> <li>• Channel not configured for desired output or input</li> </ul>	<ul style="list-style-type: none"> <li>• Verify that the external device is operating correctly.</li> <li>• Test the output from the external device.</li> <li>• Verify the wiring between the transmitter and the external device.</li> <li>• If applicable, ensure that the loop is powered.</li> <li>• Verify that the channel is wired and configured as a discrete input.</li> </ul>
Discrete input reading reversed	<ul style="list-style-type: none"> <li>• Wiring problem</li> <li>• Incorrect configuration</li> </ul>	<ul style="list-style-type: none"> <li>• Verify the wiring between the transmitter and the external device.</li> <li>• Check the setting of Discrete Input Polarity.</li> </ul>

## 15.14 Check power supply wiring

If the power supply wiring is damaged or improperly connected, the transmitter may not receive enough power to operate properly.

### Prerequisites

You will need the installation manual for your transmitter.

### Procedure

1. Use a voltmeter to test the voltage at the transmitter's power supply terminals.
  - If the voltage is within the specified range, you do not have a power supply problem.
  - If the voltage is low, ensure that the power supply is adequate at the source, the power cable is sized correctly, there is no damage to the power cable, and an appropriate fuse is installed.
  - If there is no power, continue with this procedure.
2. Before inspecting the power supply wiring, disconnect the power source.

### CAUTION!

**If the transmitter is in a hazardous area, wait five minutes after disconnecting the power.**

3. Ensure that the terminals, wires, and wiring compartment are clean and dry.
4. Ensure that the power supply wires are connected to the correct terminals.

5. Ensure that the power supply wires are making good contact, and are not clamped to the wire insulation.
6. Reapply power to the transmitter.

**⚠ CAUTION!**

**If the transmitter is in a hazardous area, do not reapply power to the transmitter with the housing cover removed. Reapplying power to the transmitter while the housing cover is removed could cause an explosion.**

7. Test the voltage at the terminals.

If there is no power, contact Micro Motion customer service.

## 15.15 Check sensor-to-transmitter wiring

A number of power-supply and output problems may occur if the wiring between the sensor and the transmitter is improperly connected, or if the wiring becomes damaged.

Be sure to check all wiring segments:

- If you have a 4-wire transmitter, check the wiring between the transmitter and the sensor junction box.
- If you have a 9-wire transmitter, check the wiring between the transmitter and the core processor mounted on the sensor.
- If you have a remote transmitter with remote core processor, check the wiring between the transmitter and the core processor and the wiring between the core processor and the sensor junction box.

### Prerequisites

You will need the installation manual for your transmitter.

### Procedure

1. Before opening the wiring compartments, disconnect the power source.

**⚠ CAUTION!**

**If the transmitter is in a hazardous area, wait five minutes after disconnecting the power.**

2. Verify that the transmitter is connected to the sensor according to the information provided in your transmitter installation manual.
3. Verify that the wires are making good contact with the terminals.
4. Check the continuity of all wires from the transmitter to the sensor.



## 15.16 Check grounding

The sensor and the transmitter must be grounded.

### Prerequisites

You will need:

- Installation manual for your sensor
- Installation manual for your transmitter (remote-mount installations only)

### Procedure

Refer to the sensor and transmitter installation manuals for grounding requirements and instructions.

## 15.17 Perform loop tests

A loop test is a way to verify that the transmitter and the remote device are communicating properly. A loop test also helps you know whether you need to trim mA outputs.

- [Perform a mA loop test using the display](#) (Section 15.17.1)
- [Perform a frequency output loop test using the display](#) (Section 15.17.2)
- [Perform a discrete output loop test using the display](#) (Section 15.17.3)
- [Perform a discrete input loop test using the display](#) (Section 15.17.4)
- [Perform a mA loop test using ProLink III](#) (Section 15.17.5)
- [Perform a frequency output loop test using ProLink III](#) (Section 15.17.6)
- [Perform a discrete output loop tests using ProLink III](#) (Section 15.17.7)
- [Perform a discrete input loop test using ProLink III](#) (Section 15.17.8)
- [Perform a mA loop test using a web browser](#) (Section 15.17.9)
- [Perform a frequency output loop test using a web browser](#) (Section 15.17.10)
- [Perform a discrete output loop test using a web browser](#) (Section 15.17.11)
- [Perform a discrete input loop test using a web browser](#) (Section 15.17.12)

### 15.17.1 Perform a mA loop test using the display

#### Prerequisites

Before performing a mA loop test, configure Channel C as a mA output.

Follow appropriate procedures to ensure that loop testing will not interfere with existing measurement and control loops.

#### Procedure

1. Choose Menu > Service Tools > Output Simulation and select the mA output.
2. Set Simulation Value to 4.
3. Start the simulation.

4. Read the mA current at the receiving device and compare it to the transmitter output.

The readings do not need to match exactly. If the values are slightly different, you can correct the discrepancy by trimming the output.

5. Choose New Value.
6. Set Simulation Value to 20.
7. Start the simulation.
8. Read the mA current at the receiving device and compare it to the transmitter output.

The readings do not need to match exactly. If the values are slightly different, you can correct the discrepancy by trimming the output.

9. Choose Exit.

#### Postrequisites

- If the mA output readings are within 200 microamps of each other, you can correct this discrepancy by trimming the output.
- If the discrepancy between the mA output readings is greater than 200 microamps, or if at any step the reading was faulty, verify the wiring between the transmitter and the remote device, and try again.

## 15.17.2 Perform a frequency output loop test using the display

#### Prerequisites

Before performing a frequency output loop test, configure Channel C as a frequency output.

Follow appropriate procedures to ensure that loop testing will not interfere with existing measurement and control loops.

#### Procedure

1. Choose Menu > Service Tools > Output Simulation and select the frequency output.
2. Set Simulation Value to 1.
3. Start the simulation.
4. Read the frequency signal at the receiving device and compare it to the transmitter output.
5. Choose New Value.
6. Set Simulation Value to 14500.
7. Start the simulation.
8. Read the frequency signal at the receiving device and compare it to the transmitter output.
9. Choose Exit.

## 15.17.3 Perform a discrete output loop test using the display

### Prerequisites

Before performing a discrete output loop test, configure Channel C as a discrete output.

Follow appropriate procedures to ensure that loop testing will not interfere with existing measurement and control loops.

### Procedure

1. Choose Menu > Service Tools > Output Simulator and select the discrete output.
2. Set Simulation Value to ON.
3. Start the simulation.
4. Verify the signal at the receiving device.
5. Choose New Value.
6. Set Simulation Value to OFF.
7. Start the simulation.
8. Verify the signal at the receiving device.
9. Choose Exit.

### Postrequisites

- If the discrete output readings are reversed, check the setting of Discrete Output Polarity.

## 15.17.4 Perform a discrete input loop test using the display

### Prerequisites

Before performing a discrete input loop test, configure Channel C for a discrete input.

Follow appropriate procedures to ensure that loop testing will not interfere with existing measurement and control loops.

### Procedure

1. Set the remote input device to ON.
2. Choose Menu > Service Tools > Service Data > View I/O Levels and read the state of the discrete input.
3. Set the remote input device to OFF.
4. Choose Menu > Service Tools > Service Data > View I/O Levels and read the state of the discrete input.
5. Return the remote input device to normal operation.

### Postrequisites

- If the discrete input readings are reversed, check the setting of Discrete Input Polarity.

## 15.17.5 Perform a mA loop test using ProLink III

### Prerequisites

Before performing a mA loop test, configure Channel C as a mA output.

Follow appropriate procedures to ensure that loop testing will not interfere with existing measurement and control loops.

### Procedure

1. Choose Device Tools > Diagnostics > Testing and select the mA output to test.
2. Enter 4 in Fix to:.
3. Click Fix mA.
4. Read the mA current at the receiving device and compare it to the transmitter output.

The readings do not need to match exactly. If the values are slightly different, you can correct the discrepancy by trimming the output.

5. Click UnFix mA.
6. Enter 20 in Fix to:.
7. Click Fix mA.
8. Read the mA current at the receiving device and compare it to the transmitter output.

The readings do not need to match exactly. If the values are slightly different, you can correct the discrepancy by trimming the output.

9. Click UnFix mA.

### Postrequisites

- If the mA output readings are within 200 microamps of each other, you can correct this discrepancy by trimming the output.
- If the discrepancy between the mA output readings is greater than 200 microamps, or if at any step the reading was faulty, verify the wiring between the transmitter and the remote device, and try again.

## 15.17.6 Perform a frequency output loop test using ProLink III

### Prerequisites

Before performing a frequency output loop test, configure Channel C as a frequency output.

Follow appropriate procedures to ensure that loop testing will not interfere with existing measurement and control loops.

**Procedure**

1. Choose Device Tools > Diagnostics > Testing and select the frequency output to test.
2. Enter the frequency output value in Fix to.
3. Click Fix FO.
4. Read the frequency signal at the receiving device and compare it to the transmitter output.
5. Click UnFix FO.

## 15.17.7 Perform a discrete output loop tests using ProLink III

**Prerequisites**

Before performing a discrete output loop test, configure Channel C as a discrete output.

Follow appropriate procedures to ensure that loop testing will not interfere with existing measurement and control loops.

**Procedure**

1. Choose Device Tools > Diagnostics > Testing > Discrete Output Test.
2. If your transmitter is configured for two or more discrete outputs, determine which discrete output you want to test.
3. Set Fix To: to ON.
4. Verify the signal at the receiving device.
5. Set Fix To: to OFF.
6. Verify the signal at the receiving device.
7. Click UnFix.

**Postrequisites**

If the discrete output readings are reversed, check the setting of Discrete Output Polarity.

## 15.17.8 Perform a discrete input loop test using ProLink III

**Prerequisites**

Before performing a discrete input loop test, configure Channel C for a discrete input.

Follow appropriate procedures to ensure that loop testing will not interfere with existing measurement and control loops.

**Procedure**

1. Set the remote input device to ON.
2. Choose Device Tools > Diagnostics > Testing > Discrete Input Test.
3. Verify the signal at the transmitter.
4. Set the remote input device to OFF.

5. Verify the signal at the transmitter.

**Postrequisites**

- If the discrete input readings are reversed, check the setting of Discrete Input Polarity.

## 15.17.9 Perform a mA loop test using a web browser

**Prerequisites**

Before performing a mA loop test, configure Channel C as a mA output.

Follow appropriate procedures to ensure that loop testing will not interfere with existing measurement and control loops.

**Procedure**

1. Choose Device Tools > Simulation > mA Output Test.
2. Enter 4 in Fix to:.
3. Click Fix mA.
4. Read the mA current at the receiving device and compare it to the transmitter output.

The readings do not need to match exactly. If the values are slightly different, you can correct the discrepancy by trimming the output.

5. Click UnFix mA.
6. Enter 20 in Fix to:.
7. Click Fix mA.
8. Read the mA current at the receiving device and compare it to the transmitter output.

The readings do not need to match exactly. If the values are slightly different, you can correct the discrepancy by trimming the output.

9. Click UnFix mA.

**Postrequisites**

- If the mA output readings are within 200 microamps of each other, you can correct this discrepancy by trimming the output.
- If the discrepancy between the mA output readings is greater than 200 microamps , or if at any step the reading was faulty, verify the wiring between the transmitter and the remote device, and try again.

## 15.17.10 Perform a frequency output loop test using a web browser

### Prerequisites

Before performing a frequency output loop test, configure Channel C as a frequency output.

Follow appropriate procedures to ensure that loop testing will not interfere with existing measurement and control loops.

### Procedure

1. Choose Service Tools > Simulation > Frequency Output Test.
2. Enter the frequency output value in Fix to.
3. Click Fix FO.
4. Read the frequency signal at the receiving device and compare it to the transmitter output.
5. Click UnFix FO.

## 15.17.11 Perform a discrete output loop test using a web browser

### Prerequisites

Before performing a discrete output loop test, configure Channel C as a discrete output.

Follow appropriate procedures to ensure that loop testing will not interfere with existing measurement and control loops.

### Procedure

1. Choose Service Tools > Simulation > Discrete Output Test.
2. Set Fix To: to ON.
3. Verify the signal at the receiving device.
4. Set Fix To: to OFF.
5. Verify the signal at the receiving device.
6. Click UnFix.

### Postrequisites

If the discrete output readings are reversed, check the setting of Discrete Output Polarity.

## 15.17.12 Perform a discrete input loop test using a web browser

### Prerequisites

Before performing a discrete input loop test, configure Channel C for a discrete input.

Follow appropriate procedures to ensure that loop testing will not interfere with existing measurement and control loops.

**Procedure**

1. Set the remote input device to ON.
2. Choose Service Tools > Diagnostics > View I/O Levels.
3. Verify the Channel C Value accurately shows the input.
4. Set the remote input device to OFF.
5. Verify the Channel C Value accurately shows the input.

**Postrequisites**

- If the discrete input readings are reversed, check the setting of Discrete Input Polarity.

## 15.18 Trim mA output

Trimming an mA output calibrates the transmitter's mA output to the receiving device. If the current trim value is inaccurate, the transmitter will under-compensate or over-compensate the output.

- [Trim mA output using the display](#) (Section 15.18.1)
- [Trim mA output using ProLink III](#) (Section 15.18.2)
- [Trim mA output using a web browser](#) (Section 15.18.3)

### 15.18.1 Trim mA output using the display

Trimming the mA output establishes a common measurement range between the transmitter and the device that receives the mA output.

**Prerequisites**

Ensure that the mA output is wired to the receiving device that will be used in production.

**Procedure**

1. Choose Menu > Service Tools > mA Output Trim and select the output to trim.
2. Follow the instructions in the guided method.
3. Check the trim results. If any trim result is less than -200 microamps or greater than +200 microamps, contact Micro Motion customer service.

### 15.18.2 Trim mA output using ProLink III

Trimming the mA output establishes a common measurement range between the transmitter and the device that receives the mA output.



**Prerequisites**

Ensure that the mA output is wired to the receiving device that will be used in production.

**Procedure**

1. Follow the instructions in the guided method.
2. Check the trim results. If any trim result is less than  $-200$  microamps or greater than  $+200$  microamps, contact Micro Motion customer service.

### 15.18.3 Trim mA output using a web browser

Trimming the mA output establishes a common measurement range between the transmitter and the device that receives the mA output.

**Prerequisites**

Ensure that the mA output is wired to the receiving device that will be used in production.

**Procedure**

1. Choose Service Tools > Verification and Calibration > mA Output Trim.
2. Follow the instructions in the guided method.
3. Check the trim results. If any trim result is less than  $-200$  microamps or greater than  $+200$  microamps, contact Micro Motion customer service.

## 15.19 Using sensor simulation for troubleshooting

When sensor simulation is enabled, the transmitter reports user-specified values for basic process variables. This allows you to reproduce various process conditions or to test the system.

You can use sensor simulation to help distinguish between legitimate process noise and externally caused variation. For example, consider a receiving device that reports an unexpectedly erratic density value. If sensor simulation is enabled and the observed density value does not match the simulated value, the source of the problem is likely to be somewhere between the transmitter and the receiving device.

---

**Important**

When sensor simulation is active, the simulated value is used in all transmitter outputs and calculations, including totals and inventories, volume flow calculations, and concentration calculations. Disable all automatic functions related to the transmitter outputs and place the loop in manual operation. Do not enable simulation mode unless your application can tolerate these effects, and be sure to disable simulation mode when you have finished testing.

---

## 15.20 Check Lower Range Value and Upper Range Value

1. Record your current process conditions.
2. Check the configuration of the LRV and URV.

## 15.21 Check mA Output Fault Action

mA Output Fault Action controls the behavior of the mA output if the transmitter encounters an internal fault condition. If the mA output is reporting a constant value below 4 mA or above 20 mA, the transmitter may be in a fault condition.

1. Check the status alerts for active fault conditions.
2. If there are active fault conditions, the transmitter is performing correctly. If you want to change its behavior, consider the following options:
  - Change the setting of mA Output Fault Action.
3. If there are no active fault conditions, continue troubleshooting.

## 15.22 Check the scaling of the frequency output

If the process variable assigned to the frequency output goes to a value that would set the frequency output to a signal below 0 Hz or above 14500 Hz, the meter will post an Output Saturated alert for the affected output, then perform the configured fault action.

1. Record your current process conditions.
2. Adjust the scaling of the frequency output.

## 15.23 Check Frequency Output Fault Action

The Frequency Output Fault Action controls the behavior of the frequency output if the transmitter encounters an internal fault condition. If the frequency output is reporting a constant value, the transmitter may be in a fault condition.

1. Check the status alerts for active fault conditions.
2. If there are active fault conditions, the transmitter is performing correctly. If you want to change its behavior, consider the following options:
  - Change the setting of Frequency Output Fault Action.
3. If there are no active fault conditions, continue troubleshooting.

## 15.24 Check the direction parameters

If the direction parameters are set incorrectly, flow rate may be reported as reverse when it is actually forward, or vice versa. Totalizers and inventories may increment when they should decrement, or vice versa.

The reported flow rate and flow totals depend on the interaction of four factors: the flow direction arrow on the sensor, actual flow direction, the Sensor Flow Direction Arrow parameter, the Direction parameter for the mA output or the frequency output, and the Totalizer Direction parameter.

### Procedure

1. Ensure that Sensor Flow Direction Arrow is set correctly for your sensor installation and your process.
2. Verify the configuration of mA Output Direction, Frequency Output Direction, and Totalizer Direction.

## 15.25 Check the cutoffs

### Procedure

Verify the configuration of all cutoffs.

## 15.26 Check for two-phase flow (slug flow)

Two-phase flow can cause rapid changes in the drive gain. This can cause a variety of measurement issues.

1. Check for two-phase flow alerts (e.g., A105).  

If the transmitter is not generating two-phase flow alerts, two-phase flow is not the source of your problem.
2. Check the process for cavitation, flashing, or leaks.
3. Monitor the density of your process fluid output under normal process conditions.
4. Check the settings of Two-Phase Flow Low Limit, Two-Phase Flow High Limit, and Two-Phase Flow Timeout.

---

### Tip

You can reduce the occurrence of two-phase flow alerts by setting Two-Phase Flow Low Limit to a lower value, Two-Phase Flow High Limit to a higher value, or Two-Phase Flow Timeout to a higher value.

---

## 15.27 Check for radio frequency interference (RFI)

### Procedure

- Use shielded cable between the output and the receiving device.
  - Terminate the shielding at the receiving device. If this is impossible, terminate the shielding at the cable gland or conduit fitting.
  - Do not terminate the shielding inside the wiring compartment.
  - 360-degree termination of shielding is unnecessary.
- Eliminate the RFI source.

## 15.28 Check the drive gain

Excessive or erratic drive gain may indicate any of a variety of process conditions or sensor problems.

To know whether your drive gain is excessive or erratic, you must collect drive gain data during the problem condition and compare it to drive gain data from a period of normal operation.

### Excessive (saturated) drive gain

**Table 15-14: Possible causes and recommended actions for excessive (saturated) drive gain**

Possible cause	Recommended actions
Sensor tubes not completely full	Correct process conditions so that the sensor tubes are full.
Plugged sensor tube	Check the pickoff voltages (see <a href="#">Section 15.29</a> ). If either of them are close to zero (but neither is zero), plugged tubes may be the source of your problem. Purge the tubes. In extreme cases, you may need to replace the sensor.
Drive board or module failure	Contact Micro Motion.
Bent sensor tube	Check the pickoff voltages (see <a href="#">Section 15.29</a> ). If either of them are close to zero (but neither is zero), the sensor tubes may be bent. The sensor will need to be replaced.
Cracked sensor tube	Replace the sensor.
Sensor imbalance	Contact Micro Motion.
Vibrating element not free to vibrate	Ensure that the vibrating element is free to vibrate.
Open drive or left pickoff sensor coil	Contact Micro Motion.
Flow rate out of range	Ensure that the flow rate is within sensor limits.

**Table 15-14: Possible causes and recommended actions for excessive (saturated) drive gain (continued)**

Possible cause	Recommended actions
Incorrect sensor characterization	Verify the characterization or calibration parameters.

### Erratic drive gain

**Table 15-15: Possible causes and recommended actions for erratic drive gain**

Possible cause	Recommended actions
Foreign material caught in sensor tubes	<ul style="list-style-type: none"> <li>Purge the sensor tubes.</li> <li>Replace the sensor.</li> </ul>

## 15.29 Check the pickoff voltage

If the pickoff voltage readings are unusually low, you may have any of a variety of process or equipment problems.

To know whether your pickoff voltage is unusually low, you must collect pickoff voltage data during the problem condition and compare it to pickoff voltage data from a period of normal operation.

**Table 15-16: Possible causes and recommended actions for low pickoff voltage**

Possible cause	Recommended actions
Faulty wiring runs between the sensor and transmitter	Verify wiring between sensor and transmitter.
Process flow rate beyond the limits of the sensor	Verify that the process flow rate is not out of range of the sensor.
The vibrating element is not vibrating	<ul style="list-style-type: none"> <li>Check for plugging or deposition.</li> <li>Ensure that the vibrating element is free to vibrate (no mechanical binding).</li> <li>Verify wiring.</li> <li>Test coils at sensor. See <a href="#">Section 15.30.1</a>.</li> </ul>
Moisture in the sensor electronics	Eliminate the moisture in the sensor electronics.
The sensor is damaged, or sensor magnets may have become demagnetized	Replace the sensor.

## 15.30 Check for internal electrical problems

Shorts between sensor terminals or between the sensor terminals and the sensor case can cause the sensor to stop working.

**Table 15-17: Possible causes and recommended actions for electrical shorts**

Possible cause	Recommended action
Moisture inside the sensor junction box	Ensure that the junction box is dry and no corrosion is present.
Liquid or moisture inside the sensor case	Contact Micro Motion.
Internally shorted feedthrough	Contact Micro Motion.
Faulty cable	Replace the cable.
Improper wire termination	Verify wire terminations inside the sensor junction box. The Micro Motion document titled <i>9-Wire Flowmeter Cable Preparation and Installation Guide</i> may offer some assistance.

### 15.30.1 Check the sensor coils

Checking the sensor coils can identify electrical shorts.

#### Restriction

This procedure applies only to 9-wire remote-mount transmitters and remote transmitters with remote core processors.

#### Procedure

1. Disconnect power to the transmitter.

#### CAUTION!

**If the transmitter is in a hazardous area, wait 5 minutes before continuing.**

2. Unplug the terminal blocks from the terminal board on the core processor.
3. Using a digital multimeter (DMM), check the pickoff coils by placing the DMM leads on the unplugged terminal blocks for each terminal pair. See [Table 15-18](#) for a list of the coils. Record the values.

**Table 15-18: Coils and test terminal pairs**

Coil	Sensor model	Terminal colors
Drive coil	All	Brown to red
Left pickoff coil (LPO)	All	Green to white
Right pickoff coil (RPO)	All	Blue to gray

**Table 15-18: Coils and test terminal pairs (continued)**

Coil	Sensor model	Terminal colors
Resistance temperature detector (RTD)	All	Yellow to violet
Lead length compensator (LLC)	All except T-Series and CMF400 (see note)	Yellow to orange
Composite RTD	T-Series	Yellow to orange
Fixed resistor (see note)	CMF400	Yellow to orange

**Note**

The CMF400 fixed resistor applies only to certain specific CMF400 releases. Contact Micro Motion for more information.

There should be no open circuits, that is, no infinite resistance readings. The left pickoff and right pickoff readings should be the same or very close ( $\pm 5 \Omega$ ). If there are any unusual readings, repeat the coil resistance tests at the sensor junction box to eliminate the possibility of faulty cable. The readings for each coil pair should match at both ends.

4. Test the terminals in the sensor junction box for shorts to case.
  - a. Leave the terminal blocks disconnected.
  - b. Remove the lid of the junction box.
  - c. Testing one terminal at a time, place a DMM lead on the terminal and the other lead on the sensor case.
 

With the DMM set to its highest range, there should be infinite resistance on each lead. If there is any resistance at all, there is a short to case.
  
5. Test the resistance of junction box terminal pairs.
  - a. Test the brown terminal against all other terminals except the red one.
  - b. Test the red terminal against all other terminals except the brown one.
  - c. Test the green terminal against all other terminals except the white one.
  - d. Test the white terminal against all other terminals except the green one.
  - e. Test the blue terminal against all other terminals except the gray one.
  - f. Test the gray terminal against all other terminals except the blue one.
  - g. Test the orange terminal against all other terminals except the yellow and violet ones.
  - h. Test the yellow terminal against all other terminals except the orange and violet ones.
  - i. Test the violet terminal against all other terminals except the yellow and orange ones.

There should be infinite resistance for each pair. If there is any resistance at all, there is a short between terminals.

### Postrequisites

To return to normal operation:

1. Plug the terminal blocks into the terminal board.
2. Replace the lid on the sensor junction box.

---

### Important

When reassembling the meter components, be sure to grease all O-rings.

---

## 15.31 Perform a core processor resistance test

This procedure measures the resistance between the core processor terminals in the transmitter junction box. The procedure applies only to 4-wire remote installations and remote core processor with remote transmitter installations.

---

### Note

Although you can perform the same test on the terminals at the core processor, the transmitter junction box is typically easier to access.

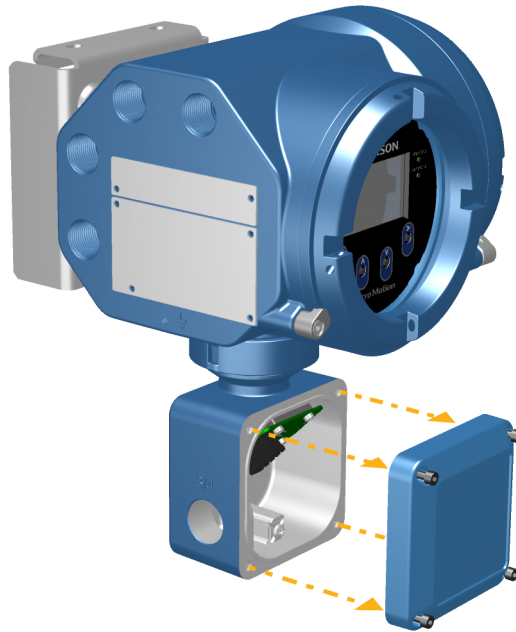
---

### Procedure

1. Power down the transmitter.
2. Remove the cover of the junction box on the transmitter to access the core processor terminals.

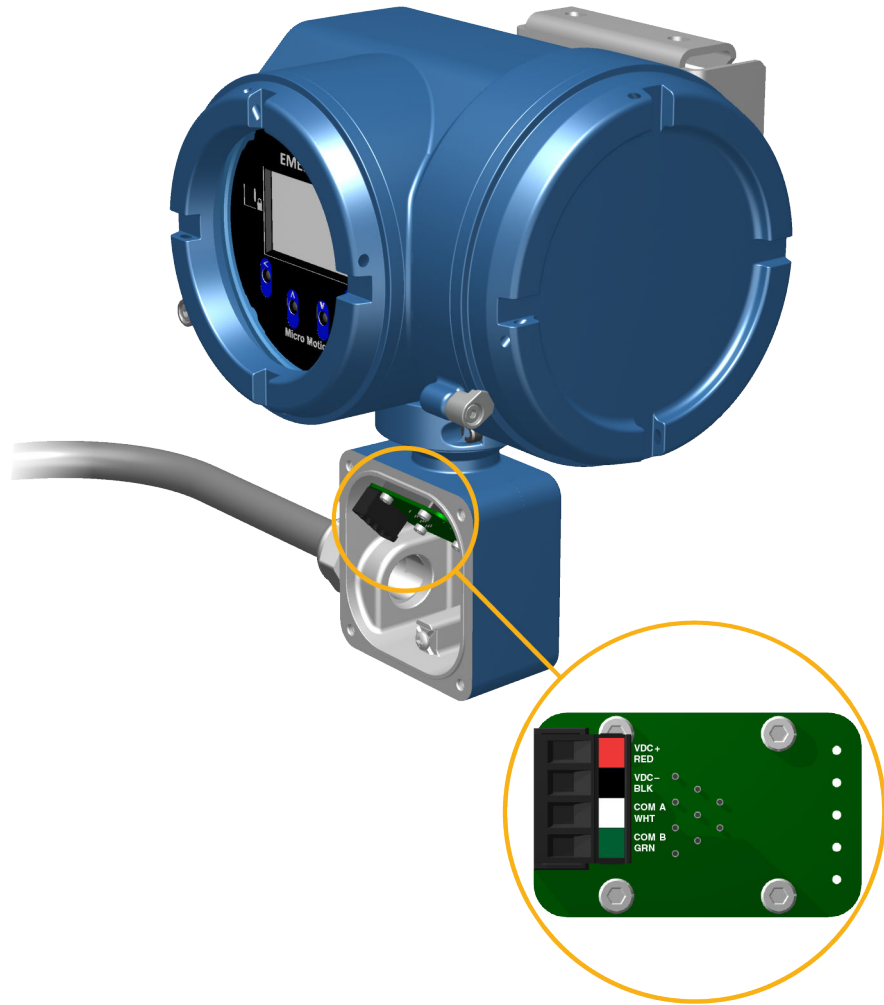


---

**Figure 15-1: Removing the cover of the junction box**

- 
3. Disconnect the 4-wire cable between the transmitter and the sensor.
  4. Identify the core processor terminals inside the transmitter junction box.

**Figure 15-2: Core processor terminals inside the transmitter junction box**



5. Measure the resistance between the terminal pairs listed here.

Terminal pair (transmitter)	Terminal pair (core processor)	Function	Expected resistance
White – green	3–4	RS-485/A and RS-485/B	29 kΩ to 33 kΩ
Black – white	2–3	VDC– and RS-485/A	29 kΩ to 33 kΩ
Black – green	2–4	VDC– and RS-485/B	16 kΩ to 18 kΩ

6. If any resistance measurements are lower than specified, contact Micro Motion customer service.

7. If the resistance measurements fall within the expected ranges, return the transmitter to normal operation and check the wiring between the transmitter and the core processor. If that does not resolve the problem, contact Micro Motion customer service.

**Postrequisites**

To return to normal operation:

1. Reconnect the 4-wire cable from the sensor to the core processor terminals.
2. Replace the junction box cover.
3. Restore power to the transmitter.

# Appendix A

## Using the transmitter display

### Topics covered in this appendix:

- *Components of the transmitter display*
- *Access and use the display menus*

### A.1 Components of the transmitter display

The transmitter display includes two status LEDs, a multi-line LCD panel, two security switches, and four optical switches.

**Figure A-1: Model 5700 transmitter display****Status LEDs**

The status LEDs indicate the current state of the transmitter (MOD STATUS) and the current state of the Ethernet network (NET STATUS).

**Figure A-2: Model 5700 transmitter status LEDs**



**Table A-1: Status LED and device status**

Status LED condition	Device status
Solid green	No alerts are active.
Solid yellow	One or more alerts are active with Alert Severity = Out of Specification, Maintenance Required, or Function Check.
Solid red	One or more alerts are active with Alert Severity = Failure.
Flashing yellow (1 Hz)	The Function Check in Progress alert is active.

**Table A-2: Network status LED and Ethernet network connection status**

Network status LED condition	Ethernet network status
Flashing green	No connections made with primary protocol host.

**Table A-2: Network status LED and Ethernet network connection status (continued)**

Network status LED condition	Ethernet network status
Solid green	Connection made with primary protocol host.
Flashing red	Connection from primary protocol host has timed out.
Solid red	Address Conflict Detection (ACD) algorithm has detected a duplicate IP address.

### LCD panel

In normal operation, the LCD panel shows the current value of the display variables, and their measurement units.

**Figure A-3: Model 5700 transmitter LCD panel**

The LCD panel also provides access to the display menus and alert information. From the display menus, you can:

- View the current configuration and make configuration changes.
- Perform procedures such as loop testing and zero verification.
- Run batches.

The alert information allows you to see which alerts are active, acknowledge the alerts individually or as a group, and to see more detailed information for individual alerts.

## A.2 Access and use the display menus

The display menus allow you to perform most configuration, administration, and maintenance tasks.

The four optical switches,  $\leftarrow \uparrow \downarrow \rightarrow$ , are used to navigate the menus, make selections, and enter data. To activate an optical switch, hold your thumb or finger over it to block the light.



**Figure A-4: Optical switches****Procedure**

1. Observe the action bar at the bottom of the LCD panel.  
The action bar displays Menu⇒.
2. Place your thumb or finger over the ⇒ optical switch to activate it.  
The top-level menu is displayed.
3. Navigate the menu using the four optical switches:
  - Activate ↑ or ↓ to scroll to the previous or next item in the menu.
  - Activate and hold ↑ or ↓ (approximately 1 second) to scroll rapidly through numbers or menu options, or to move to the previous screen or next screen in a multi-screen display.

- Activate ⇨ to drill down to a lower menu or to select an option.
- Activate and hold ⇨ to save and apply your action.
- Activate ⇩ to return to the previous menu.
- Activate and hold ⇩ to cancel your action.

The action bar is updated with context-sensitive information. The ⇨ and ⇩ symbols indicate the associated optical switch.

If the menu or the topic is too large for a single display screen, the ↓ and ↑ symbols at the bottom and top of the LCD panel are used to indicate that you must scroll down or up to see more information.

---

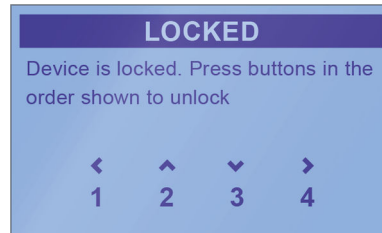
**Figure A-5: Navigation arrows**



- 
4. If you make a menu choice that leads to a possible configuration change, or to certain procedures such as zero calibration:

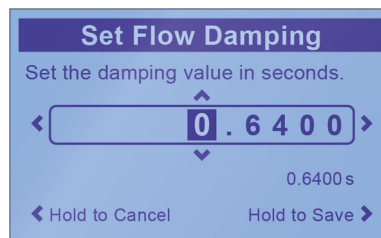
- If display security is not enabled, the display prompts you to activate  $\leftarrow \uparrow \downarrow \rightarrow$ , in that order. This feature protects against accidental changes to configuration, but does not provide any security.

**Figure A-6: Security prompts**



- If display security is enabled, the display prompts you to enter the display password.
5. If you make a menu choice that requires entering a numeric value or character string, the display provides a screen similar to the following:

**Figure A-7: Numeric values and character strings**



- Activate  $\leftarrow$  or  $\rightarrow$  to position the cursor.
  - Activate  $\uparrow$  and  $\downarrow$  to scroll through the values that are valid for that position.
  - Repeat until all characters are set.
  - Activate and hold  $\rightarrow$  to save the value.
6. To exit the display menu system, use either of the following methods:
- Wait until the menu times out and returns to the display variables.
  - Exit each menu separately, working your way back to the top of the menu system.

# Appendix B

## Using ProLink III with the transmitter

### Topics covered in this appendix:

- [Basic information about ProLink III](#)
- [Connect with ProLink III](#)

## B.1 Basic information about ProLink III

ProLink III is a configuration and service tool available from Micro Motion. It runs on a Windows platform and provides complete access to transmitter functions and data.

### Version requirements

The following version of ProLink III is required: v3.3 or later.

### ProLink III requirements

To install ProLink III, you must have:

- The ProLink III installation media
- The ProLink III installation kit for your connection type:
  - Cables and connectors: Ethernet or USB port

To obtain ProLink III and the appropriate installation kit, contact Micro Motion.

### ProLink III documentation

Most of the instructions in this manual assume that you are already familiar with ProLink III or that you have a general familiarity with Windows programs. If you need more information than this manual provides, see the ProLink III manual (*ProLink® III Configuration and Service Tool for Micro Motion® Transmitters: User Manual*).

In most ProLink III installations, the manual is installed with the ProLink III program. Additionally, the ProLink III manual is available on the Micro Motion documentation CD or the Micro Motion web site ([www.micromotion.com](http://www.micromotion.com)).

### ProLink III features and functions

ProLink III offers complete transmitter configuration and operation functions. ProLink III also offers a number of additional features and functions, including:

- The ability to save the transmitter configuration set to a file on the PC, and reload it or propagate it to other transmitters
- The ability to log specific types of data to a file on the PC
- The ability to view performance trends for various types of data on the PC
- The ability to connect to and view information for more than one device

- A guided connection wizard

These features are documented in the ProLink III manual. They are not documented in the current manual.

### ProLink III messages

As you use ProLink III with a Micro Motion transmitter, you will see a number of messages and notes. This manual does not document all of these messages and notes.

---

#### Important

The user is responsible for responding to messages and notes and complying with all safety messages.

---

## B.2 Connect with ProLink III

A connection from ProLink III to your transmitter allows you to read process data, configure the transmitter, and perform maintenance and troubleshooting tasks.

### B.2.1 ProLink III Connection types

There are three ways to connect a ProLink III PC to the transmitter: USB connection to the Service Port, direct connection to an Ethernet port, and connection to a local area Ethernet network.

### B.2.2 Configuring transmitter and PC Ethernet settings

Display	Menu > Configuration > Ethernet Settings > Network settings
ProLink III	Device Tools > Configuration > Network Settings
Web browser	Configuration > Ethernet Settings

#### Prerequisites

One of the following:

- An Ethernet cable directly connected between Channel A or Channel B of the transmitter and an ethernet port on a PC.
- The transmitter and a PC connected to the same Ethernet network.

Refer to the installation manual for information about making cable connections to the transmitter.

---

#### Note

The Ethernet settings are the same for a ProLink III connection over Ethernet as they are for connecting to a web browser.

---

## Procedure

Configure Ethernet settings as required.

- Use the display, ProLink III, or a web browser to configure the transmitter.
- Use the PC control panel to configure the PC network adapter.

**Table B-1: Transmitter and PC network settings**

Connection type	Transmitter network settings	PC network adapter IPv4 settings
<i>Direct connection:</i> Ethernet cable connected directly between Channel A or Channel B and the PC Ethernet adapter)	<ul style="list-style-type: none"> <li>• Auto Obtain IP (DHCP): Disabled</li> <li>• IP address: any IP address in the same subnet as the PC network adapter. Recommended 192.168.0.1</li> <li>• Subnet mask: 255.255.255.0</li> <li>• Default Gateway: 0.0.0.0 (this indicates that no gateway will be used)</li> </ul>	<ul style="list-style-type: none"> <li>• Auto Obtain IP (DHCP): Disabled</li> <li>• IP address: any IP address in the same subnet as the PC network adapter. Recommended 192.168.0.2</li> <li>• Subnet mask: 255.255.255.0</li> <li>• Default Gateway: none (leave blank)</li> </ul>
<i>Local network connection:</i> The transmitter and PC are connected to a common network with a DHCP.	<p>All settings to be assigned by network administrator. Typical network settings shown.</p> <ul style="list-style-type: none"> <li>• Auto Obtain IP (DHCP): Enabled</li> <li>• IP address: automatically assigned by DHCP</li> <li>• Subnet mask: 255.255.255.0</li> <li>• Default Gateway: 0.0.0.0 (this indicates that no gateway will be used)</li> </ul>	<p>All settings to be assigned by network administrator.</p>

### Note

If IP Address cannot be changed (and IP Address set from Local Display Switches appears selected on ProLink III or on a web browser page), the rotary switches on the back side of the display circuit board have been used to manually set the 4th octet of the IP address and the IP address cannot be changed using the software or display. For example, if the rotary switches are set to 005, then the IP address for the transmitter is 192.168.0.005. To remove this restriction, set the rotary switches to 000.

### Note

If your PC has more than one wired network adapter, be sure to select the adapter that is connected to the transmitter.

## B.2.3 Connect ProLink III to the transmitter

### CAUTION!

**If the transmitter is in a hazardous area, do not open the wiring compartment while the transmitter is powered up. Opening the wiring compartment while the transmitter is powered up could cause an explosion. To connect to the transmitter in a hazardous environment, use a connection method that does not require opening the wiring compartment.**

### Prerequisites

The transmitter and PC must be properly configured and physically connected to each other by an Ethernet or USB cable, or they must both be connected to a local area Ethernet network.

### Procedure

1. Start ProLink III.
2. Choose Connect to Physical Device.
3. Select a Protocol and related settings:
  - For Ethernet connection:
    - Select Modbus TCP
    - Type in the IP Address of the transmitter
    - Leave the remaining settings at their default values
  - For USB connection:
    - Select Service Port
    - Select the PC Port that is assigned to the PC USB Port
    - Leave the remaining settings at their default values
4. Click Connect.

# Appendix C

## Using a Web browser to configure the transmitter

### Topics covered in this appendix:

- [Recommended web browsers](#)
- [Configuring transmitter and PC Ethernet settings](#)
- [Log in with a web browser](#)
- [Change Ethernet login passwords](#)

## C.1 Recommended web browsers

Browser	Version
Microsoft Internet Explorer	8 or newer
Mozilla Firefox	3.0 or newer
Google Chrome	4.1 or newer

## C.2 Configuring transmitter and PC Ethernet settings

Display	Menu > Configuration > Ethernet Settings > Network settings
ProLink III	Device Tools > Configuration > Network Settings
Web browser	Configuration > Ethernet Settings

### Prerequisites

One of the following:

- An Ethernet cable directly connected between Channel A or Channel B of the transmitter and an ethernet port on a PC.
- The transmitter and a PC connected to the same Ethernet network.

Refer to the installation manual for information about making cable connections to the transmitter.



**Note**

The Ethernet settings are the same for a ProLink III connection over Ethernet as they are for connecting to a web browser.

**Procedure**

Configure Ethernet settings as required.

- Use the display, ProLink III, or a web browser to configure the transmitter.
- Use the PC control panel to configure the PC network adapter.

**Table C-1: Transmitter and PC network settings**

Connection type	Transmitter network settings	PC network adapter IPv4 settings
<i>Direct connection:</i> Ethernet cable connected directly between Channel A or Channel B and the PC Ethernet adapter)	<ul style="list-style-type: none"> <li>• Auto Obtain IP (DHCP): Disabled</li> <li>• IP address: any IP address in the same subnet as the PC network adapter. Recommended 192.168.0.1</li> <li>• Subnet mask: 255.255.255.0</li> <li>• Default Gateway: 0.0.0.0 (this indicates that no gateway will be used)</li> </ul>	<ul style="list-style-type: none"> <li>• Auto Obtain IP (DHCP): Disabled</li> <li>• IP address: any IP address in the same subnet as the PC network adapter. Recommended 192.168.0.2</li> <li>• Subnet mask: 255.255.255.0</li> <li>• Default Gateway: none (leave blank)</li> </ul>
<i>Local network connection:</i> The transmitter and PC are connected to a common network with a DHCP.	<p>All settings to be assigned by network administrator. Typical network settings shown.</p> <ul style="list-style-type: none"> <li>• Auto Obtain IP (DHCP): Enabled</li> <li>• IP address: automatically assigned by DHCP</li> <li>• Subnet mask: 255.255.255.0</li> <li>• Default Gateway: 0.0.0.0 (this indicates that no gateway will be used)</li> </ul>	<p>All settings to be assigned by network administrator.</p>

**Note**

If IP Address cannot be changed (and IP Address set from Local Display Switches appears selected on ProLink III or on a web browser page), the rotary switches on the back side of the display circuit board have been used to manually set the 4th octet of the IP address and the IP address cannot be changed using the software or display. For example, if the rotary switches are set to 005, then the IP address for the transmitter is 192.168.0.005. To remove this restriction, set the rotary switches to 000.

**Note**

If your PC has more than one wired network adapter, be sure to select the adapter that is connected to the transmitter.

## C.3 Log in with a web browser

### Prerequisites

To log in to the transmitter with a web browser:

- The PC and transmitter must have been properly configured for their connection type.
- You must know the IP address of the transmitter.

### Procedure

1. Enter the IP address of the transmitter in the web browser address bar.

When the transmitter is found, the login page appears.

2. Enter the login credentials.

Two users are predefined. You can change the passwords, but you cannot add or delete users.

**Table C-2: Login credentials**

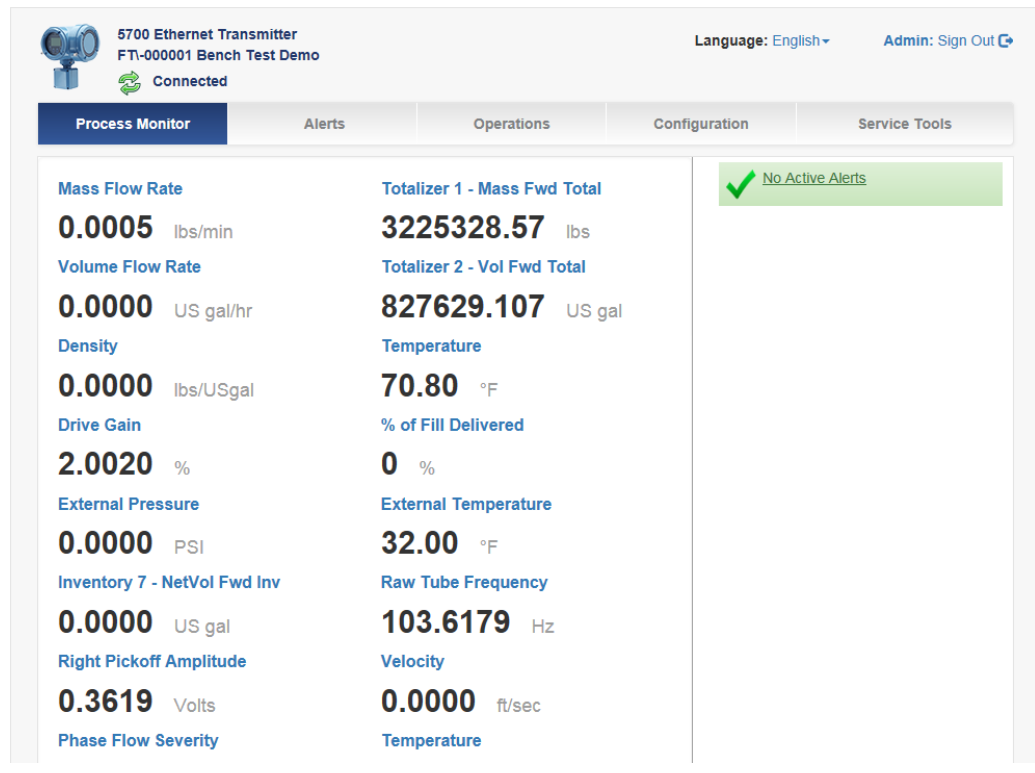
Username	Default password	Description
Admin	admin	Complete access: <ul style="list-style-type: none"> <li>• Can perform operator functions, such as meter verification, zero verification, starting/stopping batches, starting/stopping totals, and resetting totals</li> <li>• Can view and make changes to transmitter configuration</li> </ul>
Operator	operator	Limited access: <ul style="list-style-type: none"> <li>• Can perform operator functions, such as meter verification, zero verification, starting/stopping batches, starting/stopping totals, and resetting totals</li> <li>• Can view transmitter configuration, but cannot make changes</li> </ul>

### Note

Transmitters using the default Admin password are not secure. It is strongly recommended that you immediately change the password and keep it confidential.

Upon successful login, the transmitter home page appears.

Figure C-1: Transmitter home page



## C.4 Change Ethernet login passwords

ProLink III	Configuration > Communications > Webserver Settings
Web browser	Configuration > Security

### Overview

The Ethernet login passwords prevent unauthorized access to the transmitter. The Admin password should be immediately changed from the default password, and it should be kept confidential.

### Restriction

To change the Ethernet login passwords using ProLink III you must be connected to the USP, not via Modbus TCP over Ethernet. The only way to change the Ethernet login passwords over an Ethernet connection is with a web browser.

### Procedure

Enter new passwords for Admin Password and/or Operator Password.

Passwords must be at least 5, but no more than 14 characters, and must not contain any spaces.

# Appendix D

## Concentration measurement matrices, derived variables, and process variables

### Topics covered in this appendix:

- *Standard matrices for the concentration measurement application*
- *Derived variables and calculated process variables*

## D.1 Standard matrices for the concentration measurement application

The standard concentration matrices available from Micro Motion are applicable for a variety of process fluids. These matrices are included in the ProLink III installation.

### Tip

If the standard matrices are not appropriate for your application, you can build a custom matrix or purchase a custom matrix from Micro Motion.

**Table D-1: Standard concentration matrices and associated measurement units**

Matrix name	Description	Density unit	Temperature unit	Derived variable
Deg Balling	Matrix represents percent extract, by mass, in solution, based on °Balling. For example, if a wort is 10 °Balling and the extract in solution is 100% sucrose, the extract is 10% of the total mass.	g/cm <sup>3</sup>	°F	Mass Concentration (Density)
Deg Brix	Matrix represents a hydrometer scale for sucrose solutions that indicates the percent by mass of sucrose in solution at a given temperature. For example, 40 kg of sucrose mixed with 60 kg of water results in a 40 °Brix solution.	g/cm <sup>3</sup>	°C	Mass Concentration (Density)
Deg Plato	Matrix represents percent extract, by mass, in solution, based on °Plato. For example, if a wort is 10 °Plato and the extract in solution is 100% sucrose, the extract is 10% of the total mass.	g/cm <sup>3</sup>	°F	Mass Concentration (Density)

**Table D-1: Standard concentration matrices and associated measurement units (continued)**

Matrix name	Description	Density unit	Temperature unit	Derived variable
HFCS 42	Matrix represents a hydrometer scale for HFCS 42 (high-fructose corn syrup) solutions that indicates the percent by mass of HFCS in solution.	g/cm <sup>3</sup>	°C	Mass Concentration (Density)
HFCS 55	Matrix represents a hydrometer scale for HFCS 55 (high-fructose corn syrup) solutions that indicates the percent by mass of HFCS in solution.	g/cm <sup>3</sup>	°C	Mass Concentration (Density)
HFCS 90	Matrix represents a hydrometer scale for HFCS 90 (high-fructose corn syrup) solutions that indicates the percent by mass of HFCS in solution.	g/cm <sup>3</sup>	°C	Mass Concentration (Density)

## D.2 Derived variables and calculated process variables

The concentration measurement application calculates a different set of process variables from each derived variable. The process variables are then available for viewing or reporting.

**Table D-2: Derived variables and calculated process variables**

Derived Variable	Description	Calculated process variables					
		Density at reference temperature	Standard volume flow rate	Specific gravity	Concentration	Net mass flow rate	Net volume flow rate
Density at Reference	Mass/unit volume, corrected to a given reference temperature	✓	✓				
Specific Gravity	The ratio of the density of a process fluid at a given temperature to the density of water at a given temperature. The two given temperature conditions do not need to be the same.	✓	✓	✓			

**Table D-2: Derived variables and calculated process variables (continued)**

Derived Variable	Description	Calculated process variables					
		Density at reference temperature	Standard volume flow rate	Specific gravity	Concentration	Net mass flow rate	Net volume flow rate
Mass Concentration (Density)	The percent mass of solute or of material in suspension in the total solution, derived from reference density	✓	✓		✓	✓	
Mass Concentration (Specific Gravity)	The percent mass of solute or of material in suspension in the total solution, derived from specific gravity	✓	✓	✓	✓	✓	
Volume Concentration (Density)	The percent volume of solute or of material in suspension in the total solution, derived from reference density	✓	✓		✓		✓
Volume Concentration (Specific Gravity)	The percent volume of solute or of material in suspension in the total solution, derived from specific gravity	✓	✓	✓	✓		✓
Concentration (Density)	The mass, volume, weight, or number of moles of solute or of material in suspension in proportion to the total solution, derived from reference density	✓	✓		✓		
Concentration (Specific Gravity)	The mass, volume, weight, or number of moles of solute or of material in suspension in proportion to the total solution, derived from specific gravity	✓	✓	✓	✓		

# Appendix E

## Environmental compliance

### E.1 RoHS and WEEE

In compliance with the RoHS directive (Restriction of Hazardous Substances) and the WEEE directive (Waste Electrical and Electronic Equipment), the battery in the Model 5700 transmitter cannot be serviced or replaced by users. If the battery requires replacement, contact Micro Motion for replacement and disposal.









MMI-20029769

Rev AA

2016

**Micro Motion Inc. USA**

Worldwide Headquarters  
7070 Winchester Circle  
Boulder, Colorado 80301  
T +1 303-527-5200  
T +1 800-522-6277  
F +1 303-530-8459

[www.micromotion.com](http://www.micromotion.com)

**Micro Motion Europe**

Emerson Process Management  
Neonstraat 1  
6718 WX Ede  
The Netherlands  
T +31 (0) 70 413 6666  
F +31 (0) 318 495 556

[www.micromotion.nl](http://www.micromotion.nl)

**Micro Motion Asia**

Emerson Process Management  
1 Pandan Crescent  
Singapore 128461  
Republic of Singapore  
T +65 6777-8211  
F +65 6770-8003

**Micro Motion United Kingdom**

Emerson Process Management Limited  
Horsfield Way  
Bredbury Industrial Estate  
Stockport SK6 2SU U.K.  
T +44 0870 240 1978  
F +44 0800 966 181

**Micro Motion Japan**

Emerson Process Management  
1-2-5, Higashi Shinagawa  
Shinagawa-ku  
Tokyo 140-0002 Japan  
T +81 3 5769-6803  
F +81 3 5769-6844

©2016 Micro Motion, Inc. All rights reserved.

The Emerson logo is a trademark and service mark of Emerson Electric Co. Micro Motion, ELITE, ProLink, MVD and MVD Direct Connect marks are marks of one of the Emerson Process Management family of companies. All other marks are property of their respective owners.

**MICRO MOTION™**

