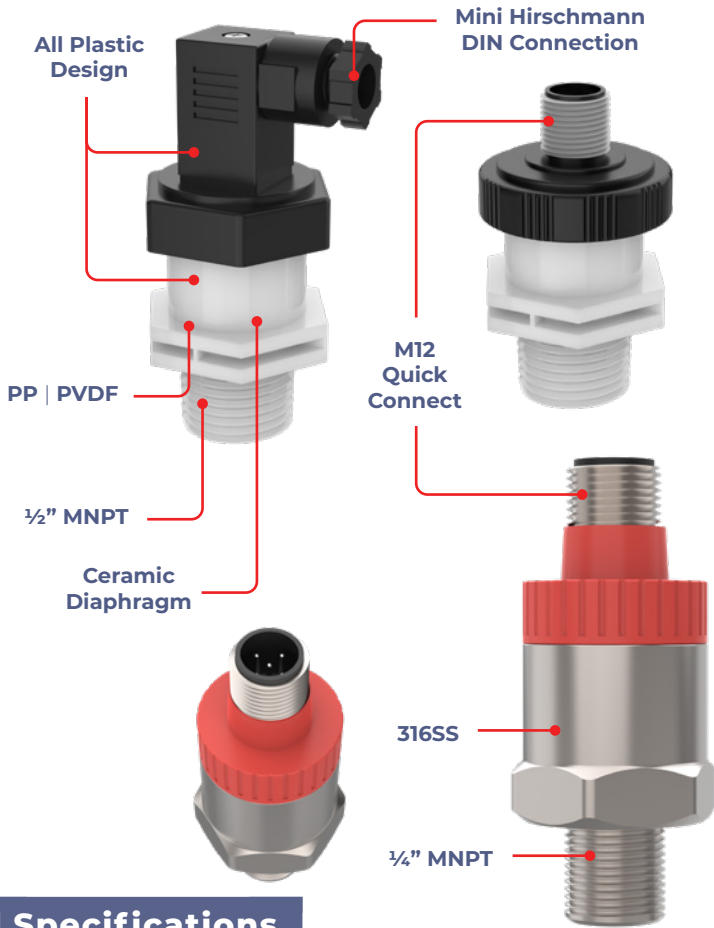


# Truflo® — LP50 Series

## Pressure Sensor Transmitter | Switch



### Specifications

Range*	0-30psi   0-50psi   0-100psi   0-150psi *
Medium	H <sub>2</sub> O   Corrosive Liquid   Gases
Accuracy	0.5% F.S
Power Supply	18 - 36VDC
Output Signal	4-20mA   2 Wire   3 Wire
Medium Temperature	-35 – +85°C
Environment Temperature	-40 – +80°C
Store Temperature	-40 – +80°C
Temperature Effect	±0.02% FS
Pressure Connection	1/2" MNPT   FNPT   1/4" MNPT (SS)
Electrical Connection	Hirschmann DIN   M12 Quick Connect

\*Please consult factory for alternative pressure ranges.

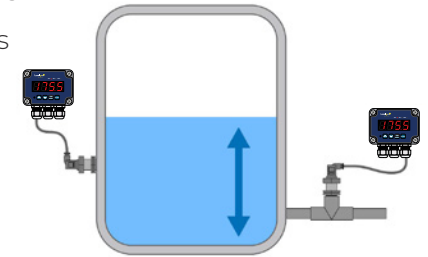


### Features

- ✓ PP | PVDF | 316SS Body
- ✓ 0 – 30 | 0 – 50 | 0 – 100 | 0-150 Psi\*
- ✓ 4-20mA Output | 2 Wire Loop Powered
- ✓ Ceramic Sensing Diaphragm
- ✓ 0.5% F.S | High Accuracy
- ✓ Excellent Chemical Resistance

The **LP50 Pressure Sensor Transmitter** was designed to measure pressure or level within industry's most demanding corrosive process applications. When measuring pressure It can be mounted vertically or horizontally, and can easily be installed into a threaded process pipe tee fitting.

The LP50 implements a state of the art ceramic measuring principle that changes the physical pressure (which equates to no more than a few microns), into a linear electronic signal that can be measured. This minimal deformation applies negligible material strain on the ceramic electronic pressure-sensing diaphragm, resulting in high resistance to alternating loads and long-term durability. Perfect for tough industrial applications.



### Applications

- ✓ Chemicals
- ✓ Acids | Bases
- ✓ Tank Level
- ✓ Industrial Process Piping
- ✓ Vapor Pressure
- ✓ Leak Detection Equipment

### Model Selection

Size	Part Number	Material
1/2" MNPT	LP50-PP-M-X	PP
1/2" MNPT	LP50-PF-M-X	PVDF
1/4" MNPT	LP50-SS-M-X	316SS
1/2" FNPT	LP50-PP-F-X	PP
1/2" FNPT	LP50-PF-F-X	PVDF

X = Pressure Range

30 ▶ 0 - 30 Psi

50 ▶ 0 - 50 Psi

100 ▶ 0 - 100 Psi

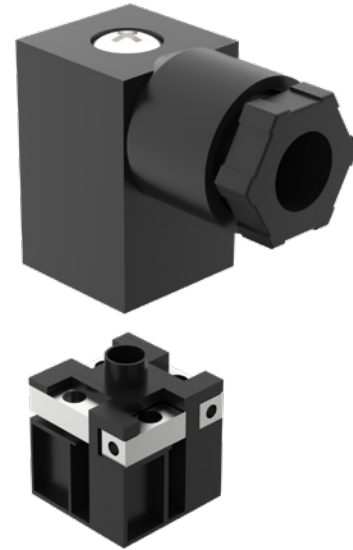
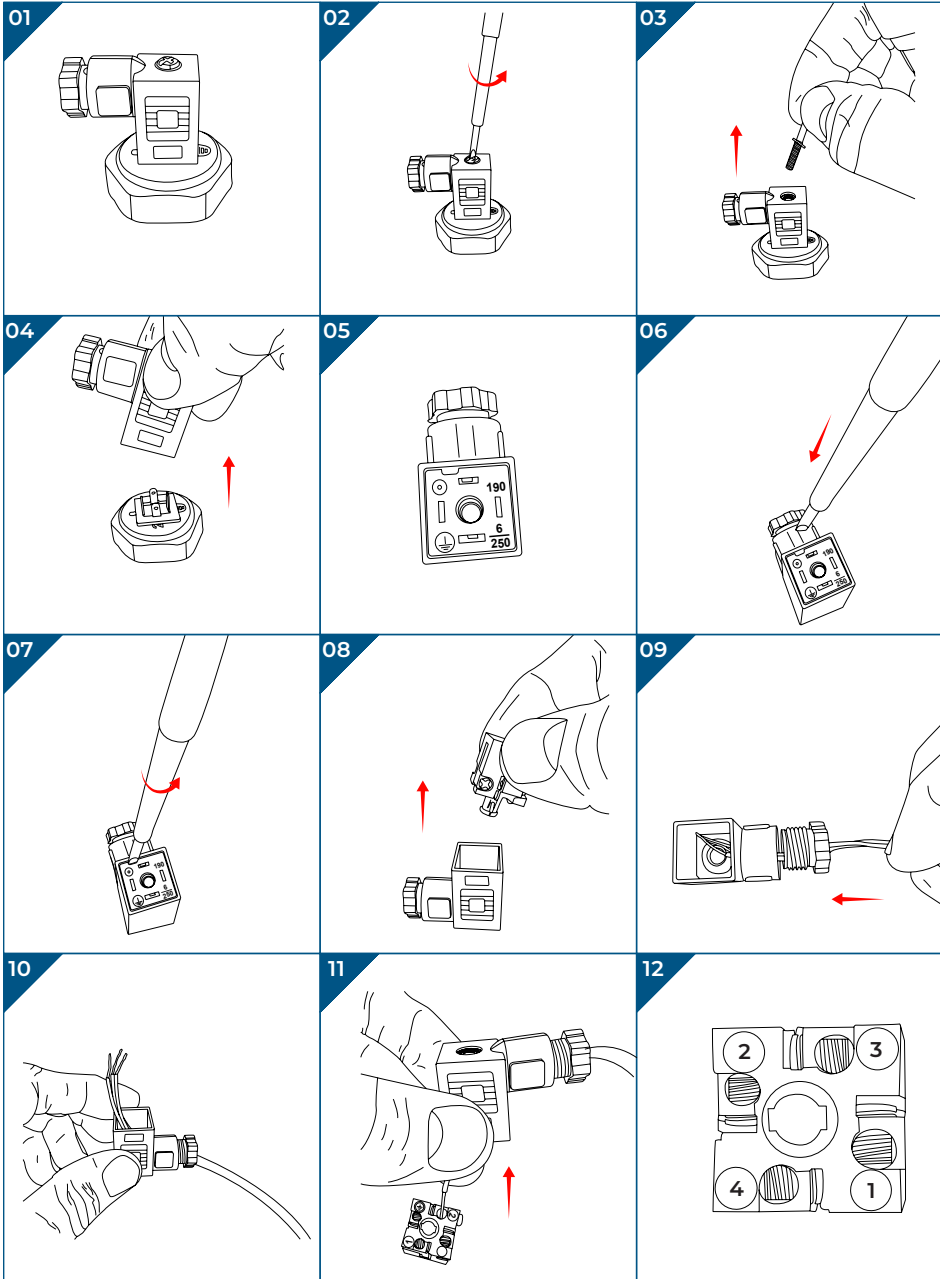
150 ▶ 0 - 150 Psi

Consult Factory  
for Alternative  
Pressure Ratings

# Truflo® — LP50 Series

## Pressure Sensor Transmitter | Switch

### Hirschmann DIN Connection



**Pin 1:** 4-20mA +  
**Pin 2:** 4-20mA -  
**Pin 2:** Ground

### M12 Connection

**Pin 1:** 4-20mA + (Brown)  
**Pin 2:** 4-20mA - (Blue)