

ITC-250B Series Instruction Manual



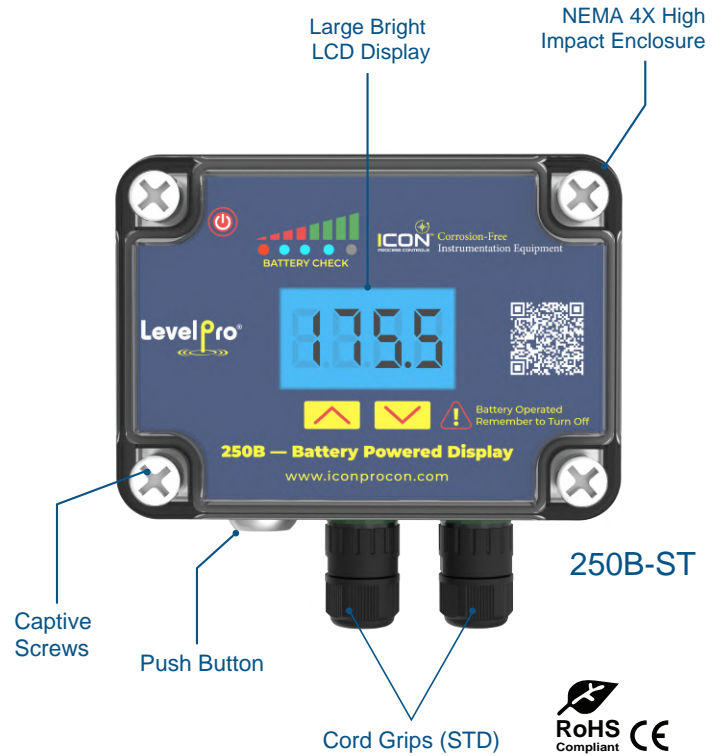
 **ICON**™ Corrosion-Free
PROCESS CONTROLS Instrumentation Equipment



Read the User's Manual Carefully.
Manufacturer Reserves the Right to Implement Changes Without Prior Notice.

FEATURES

- Battery Powered
- Momentary or Adjustable Relay Timer *
- NEMA 4X Enclosure
- LCD Display
- All Plastic - Corrosion Resistant
- All Cord Grips Included
- Simple Programming



SPECIFICATIONS

Power Supply	2600mAh Battery Powered
Display	LCD 4 x 20 mm High
Displayed Values	-999 - +9999
Input	Current : 4-20mA
Accuracy	0.1% @ 25°C One Digit
Stability	50 ppm °C
Operating Temp	-40 - 158°F (-40 - 70°C)
Storage Temp	-40 - 158°F (-40 - 70°C)
Protection Class	NEMA 4X IP67
Case	Wall Mounted Material - Polycarbonate
Dimensions (WxNxH)	110 x 105 x 67 mm

* Battery Time Reduction

PROGRAMMING DISPLAY

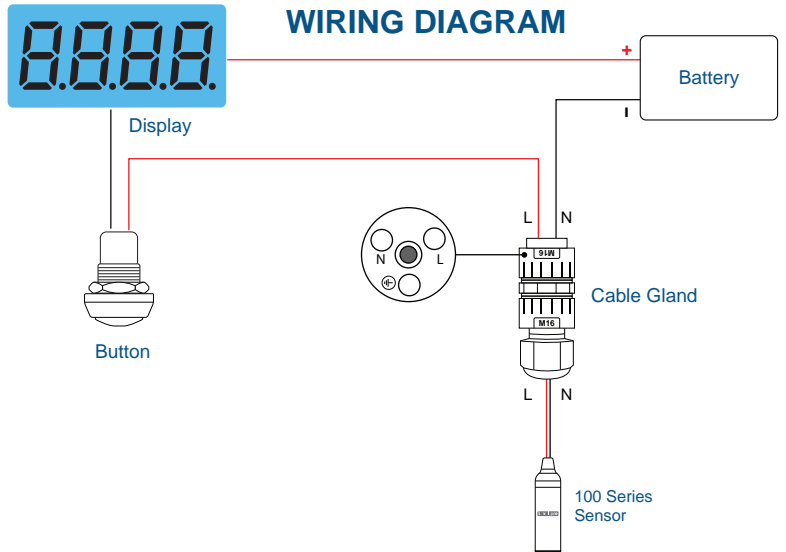
STEPS	DISPLAY	ACTION	
#1 Main Display Press HOLD		1st. Step Press and Hold Both	<p>4mA Empty</p>
#2 Low Level Value Press 1x	 Low Value - 4mA = 0	2nd. Step Default Preset = 000.0 No need to change Press	
#3 Press 2 sec		3rd Step In this screen press and hold for 2 sec	<p>20mA Full</p> <p>4mA Empty</p>
#4 High Level Value Enter High Level Value	 Enter Max Tank Value	4th Step Change number to Desired value (Note: This value is your max tank level) Inches Gallons Liters	
#5 Press 2 sec to SAVE		5th Step Press 2 sec to SAVE	<p>20mA Full</p> <p>4mA Empty</p>
#6 Return to Main Display Press HOLD		6th Step Press & Hold Return to Main Display	
#7 Main Display	 Current Level Value	Finished Current Tank Level	<p>20mA Full</p> <p>4mA Empty</p>

250B-SO (Sensor Only)



ORDERING

Part Number	Input	Battery Life
ITC250B-SO-4	4-20mA	4000 mA h
ITC250B-SO-8	4-20mA	8000 mA h

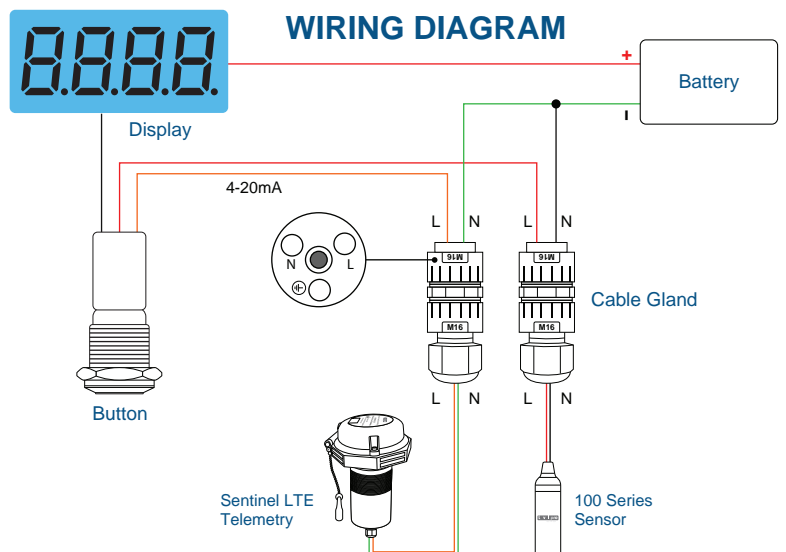


250B-ST (Sensor + Telemetry)



ORDERING

Part Number	Input	Battery Life
ITC250B-ST-4	4-20mA	4000 mA h
ITC250B-ST-8	4-20mA	8000 mA h

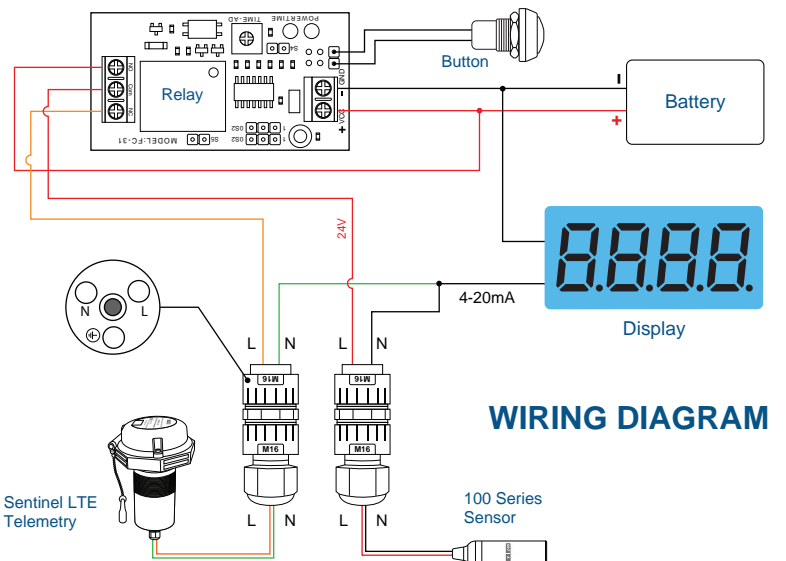


250B-SR (Sensor + Relay)



ORDERING

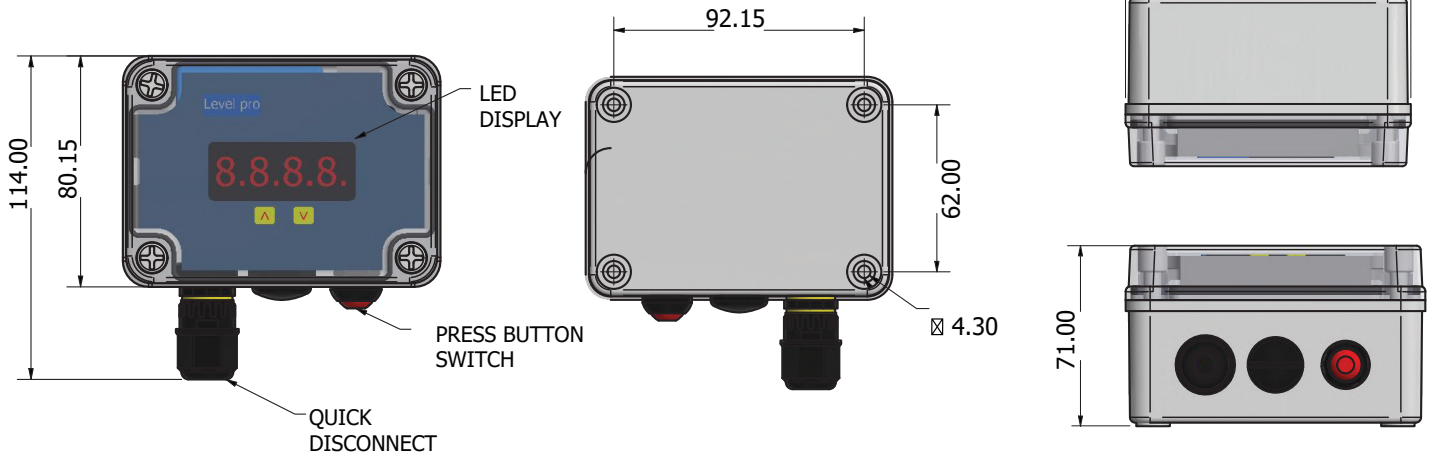
Part Number	Input	Battery Life
ITC250B-SR-4	4-20mA	4000 mA h
ITC250B-SR-8	4-20mA	8000 mA h



ITC-250B SERIES

Battery Powered Level Display

250B-SO (Sensor Only) Dimensions



250B-ST (Sensor + Telemetry) Dimensions

