

LeakPro® — LeakDtec® Series Leak Detection Alarm



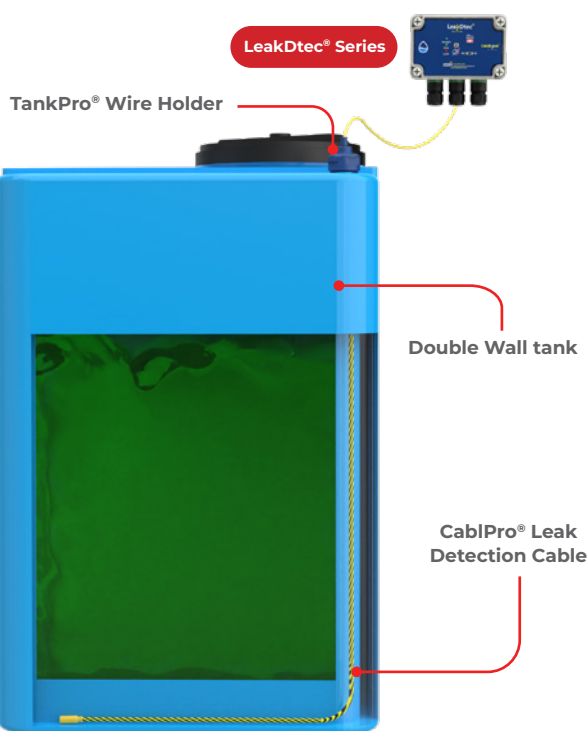
Features

- ✓ Real Time Alerts of Leak Detection
- ✓ Modular Sensor Connectivity
- ✓ NEMA 4X Enclosure
- ✓ Cable Grip Connection — No Tools Required
- ✓ Corrosion Resistant Thermoplastic

Advanced Leak Detection Alarm for Comprehensive Protection

The **LeakDtec® Series** is the ideal choice when it comes to leak detection. The system delivers reliable and long lasting results in the industry's toughest and most corrosive applications.

The **LeakDtec® Series** controller provides an automation solution that is scalable in performance and functionality. A further decisive benefit is the incorporation of innovative user friendly cable-grip connections for the sensor inputs and power supply making it truly plug and play.



Specifications

Operating Voltage	24VDC
Operating Temperature	-40 - 158°F -40 - 70°C
Current Consumption	20mA Max.
Response Time	≤1 Sec.
Operating Humidity	0% - 95% RH
Output	2A Relay
Housing	ABS Polycarbonate
Protection Class	NEMA 4X IP67

Model Selection

LeakDtec® — Leak Detection	
Part Number	Channels
LD1C	Single
LD4C	Four

2-Wire General Purpose Leak Detection Cable	
Part Number	Material
LDC-G-X	PE Cu

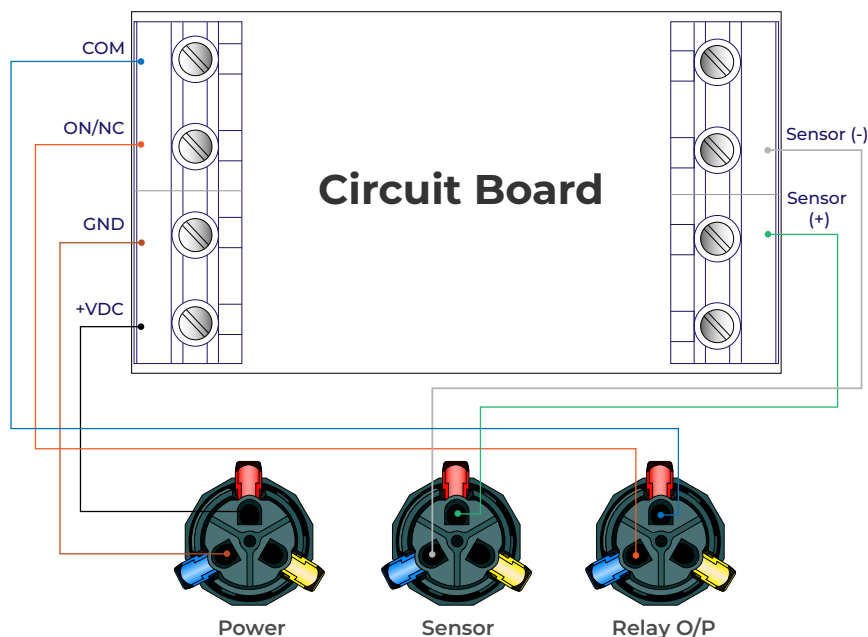
4-Wire General Purpose Leak Point Cable	
Part Number	Material
LDC-P-X	PE Cu

4-Wire Chemical Leak Point Cable	
Part Number	Material
LDC-PC-X	PE Cu

X = Length of Cable
01 : 1m Cable
03 : 3m Cable
10 : 10m Cable
30 : 30m Cable



Wiring Diagram



Cable Grip Connection

1

Turn Cable Grip Nut Counter-Clockwise

2

Remove Nut and Cable Grip

3

Insert Wire in Cable Grip Nut

Wire Clamp Open

4

Power
Red Terminals : +24VDC wire
Blue Terminals : -VDC wire

Sensor
Red Terminals : **Red** wire (+)
Blue Terminals : **Black** wire (-)

Relay Output
Red Terminals : **Red** wire (+)
Blue Terminals : **Black** wire (-)

5

Insert Cable in Terminals
Wire Clamp Close

6

Turn Cable Grip Nut Clockwise