



STANDARDS

- ANSI / ASME B16.34
- End connections: ASME B1.20.1, ASME B16.11, ASME B16.25
- Material certification EN10204-3.1 MTR
- Steel casting: MSS SP-55
- Valve marking: MSS SP-25
- Direct mount: ISO 5211
- Stem connection: DIN 3337
- Class (pressure rating): Class 400

J Flow Controls DM3800 Series

Direct Mount 2 Piece Ball Valve

FEATURES & BENEFITS

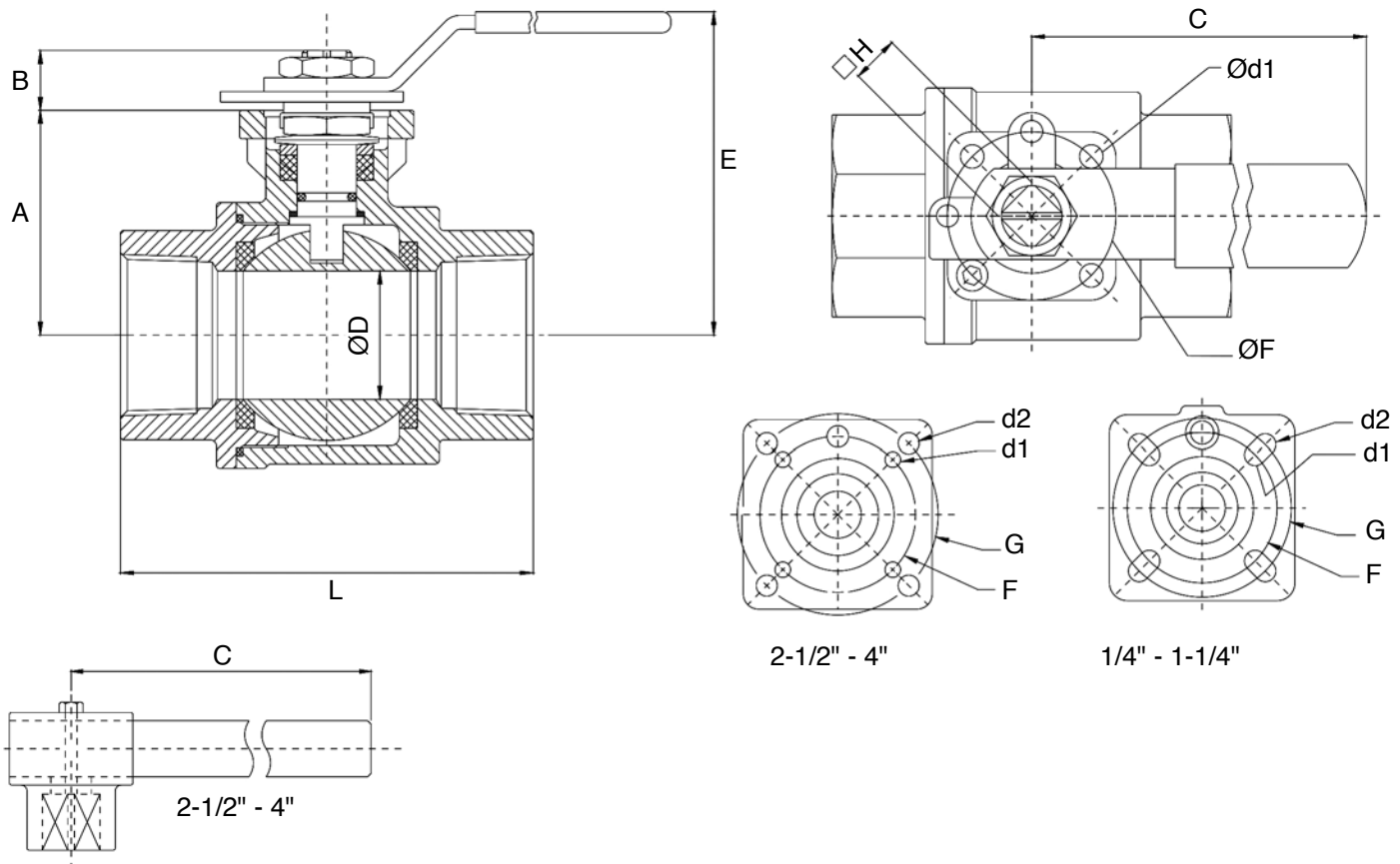
- Body and end caps quality investment casting
- ISO 5211 direct mounting pad
- Adjustable stem packing
- Available in stainless steel (CF8 or CF8M)
- Blow-out proof stem design
- 100% air tested under water at 80 - 100 psi
- Working pressure of 600 / 800 / 1000 psi
- Temperature range from -20°F to 300°F
- Locking function
- End type: NPT / BSPT

OPTIONS

- Spring return (dead man) handle
- Extended stem for thermal insulation
- Oval handle
- Automation application
- PTFE / PFA coating (40 - 70 um)

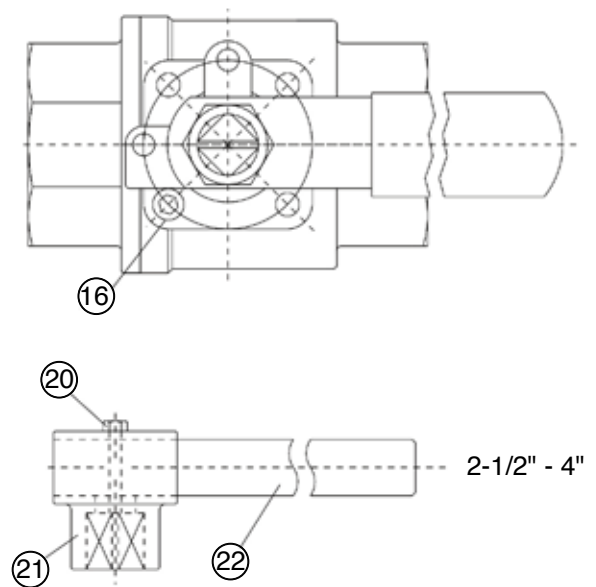
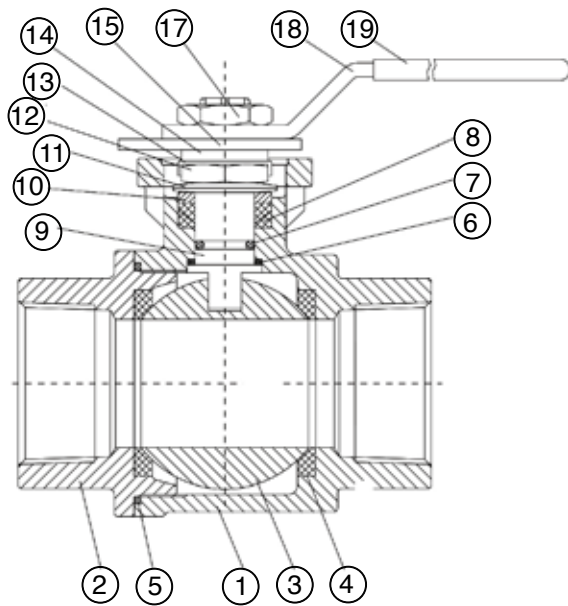
DM3800 Series Ball Valves

DIMENSIONS



Size (in)	A	B	C	D	d1	d2	E	F	G	H	L
1/4	1.46	0.35	5.12	0.43	0.24	0.24	2.60	1.42	1.65	0.35	2.22
3/8	1.46	0.35	5.12	0.49	0.24	0.24	2.60	1.42	1.65	0.35	2.22
1/2	1.46	0.35	5.12	0.59	0.24	0.24	2.60	1.42	1.65	0.35	2.32
3/4	1.57	0.43	5.12	0.79	0.24	0.24	2.72	1.42	1.65	0.35	2.81
1	1.89	0.55	6.30	0.98	0.24	0.28	3.15	1.65	1.97	0.43	3.13
1-1/4	2.11	0.55	6.30	1.26	0.24	0.28	3.35	1.65	1.97	0.43	3.62
1-1/2	2.50	0.71	8.07	1.50	0.28	-	3.86	1.97	-	0.55	4.11
2	2.83	0.71	8.07	1.97	0.28	-	4.17	1.97	-	0.55	4.86
2-1/2	3.68	0.71	12.20	2.50	0.35	0.45	5.79	2.76	4.02	0.67	6.54
3	4.09	0.71	12.20	3.07	0.35	0.45	6.18	2.76	4.02	0.67	7.28
4	5.20	1.02	13.78	3.90	0.45	0.53	7.60	4.02	4.92	0.87	8.62

PARTS IDENTIFICATION



Part No.	Name	Material	Part No.	Name	Stainless Steel
1	Body	CF8M / CF8	12	Stem Nut	SS 304
2	End Cap	CF8M / CF8	13	Nut Stop	SS 304
3	Ball	SS 316	14	Face Washer	SS 304
4	Seat	PTFE	15	Plater	SS 304
5	Gasket	PTFE	16	Stop Pin	SS 304
6	Thrust Washer	RPTFE	17	Handle Nut	SS 304
7	O-Ring	Viton	18	Handle	SS 304
8	Stem Packing	SS 316	19	Sleeve	Plastic
9	Stem	SS 304	20	Set Bolt	SS 304
10	Gland	SS 301	21	Lever Head	CF8
11	Disk Washer	SS 304	22	Lever	Steel Pipe

BREAK-TORQUE VALUE (IN-LB AT 0 PSI)

Size	1/4"	3/8"	1/2"	3/4"	1"	1-1/4"	1-1/2"	2"	2-1/2"	3"	4"
Grease	53	53	62	80	97	124	257	327	637	832	929

Note 1: The grease J Flow Control uses include lubricants and anti-seize grease that are both SILICONE-FREE

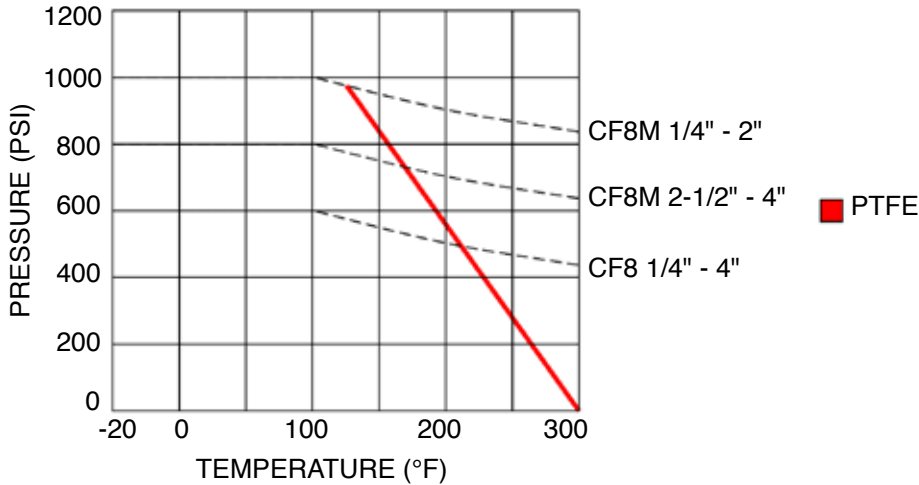
Note 2: J Flow Controls strongly suggests increasing the torque at least 30% - 40% for safety factor when mounting an actuator

DM3800 Series Ball Valves

FLOW COEFFICIENT

Size	1/4"	3/8"	1/2"	3/4"	1"	1-1/4"	1-1/2"	2"	2-1/2"	3"	4"
CV Factor	8.5	8.5	21	50	90	110	240	400	700	980	1700

PRESSURE/TEMPERATURE CHART



HOW TO ORDER

Sizes	Series	Body, Ball & Stem	Port	Body Seal	Packing
1 1/4"	38	33 CF8M	F Full Port	T TFM1600	T TFM1600
2 3/8"		00 CF8			
3 1/2"					
4 3/4"					
5 1"					
0 1-1/4"					
6 1-1/2"					
7 2"					
8 2-1/2"					
9 3"					

Seat	End Connections	Options
T TFM1600	FT Female NPT MT Female Metric THD	LD Locking Handle SH Spring Handle GO Gear Operator BS Bare Stem SE Stem Extension

J Flow Controls®
 4665 Interstate Drive
 Cincinnati, OH 45246
 513-731-2900
jflowcontrols.com

While the information and specifications contained in this literature are believed to be accurate, they are supplied for informative purposes only and should not be considered certified or a guarantee of satisfactory results. Nothing contained herein is to be construed as a warranty or guarantee, express or implied, regarding any matter with respect to this product. Because J Flow Controls® is continually improving and upgrading its product design, the specifications, dimensions and information contained herein are subject to change without notice.