



 **JFLOW**[®]
CONTROLS

JFER Series Electric Actuators

JFER Series Electric Actuator

OPTION SPECIFICATION

No.	Option scheme	Remark
1	Heater	Except JFER-003
2	Water-proof actuator (IP68,10M,250HR)	
3	Potentiometer unit (1K-10K)	Except JFER-003
4	Proportion control unit (control signal 4-20mA DC/1-5V/1-10V)	Except JFER-003
5	Local control units (local control open/stop/close optional switch, local/remote switch)	Except JFER-003
6	Travel 120°, 180°,270°	
7	Direct current motor (24VDC)	Except JFER-003
8	Electric current position sensor (output 4-20mA DC)	Except JFER-003
9	Self-reset when power failure	
10	Quick opening (2.8S, 5S, 10S, 15S)	



PERFORMANCE PARAMETER

Model	Max output torque(N·M)	Operating time 90°(S)	Drive shaft(mm)				Power (W)	Rated Current (A)				Weight (kg)
			Square	Deep	Round	Deep		120VAC	220VAC	12VDC	24VDC	
JFER-003	30	20	9×9 11×11	13.5 15.5	Φ12.6	26	8	0.30	0.15	1.00	0.50	2.1
JFER-005	50	30	11×11 14×14	15.5 18	Φ12.6	26	10	0.50	0.25	1.00	0.50	3.6
JFER-008	80	30	11×11 14×14	15.5 18	Φ15.78	26	10	0.50	0.25	2.00	1.00	3.6
JFER-010	100	30	14×14 17×17	18 22.5	Φ15.78 Φ18.95	28	15	0.70	0.35	2.00	1.00	4.6
JFER-015	150	30	14×14 17×17	18 22.5	Φ18.95	28	15	0.80	0.37	3.00	1.50	4.6
JFER-020	2 0 0	30	22×22	26	Φ22.13	45	45	0.65	0.30	4.00	2.00	13
JFER-030	3 0 0	30	22×22	26	Φ28.48	45	45	0.65	0.31	4.00	2.00	13.4
JFER-040	4 0 0	30	22×22	26	Φ28.48	45	60	0.70	0.33	8.00	4.00	13.8
JFER-060	6 0 0	30	27×27	32.5	Φ31.65	45	60	0.70	0.33	8.00	4.00	14
JFER-080	8 0 0	40	27×27	32.5	Φ31.65	45	90	0.95	0.47	8.50	4.30	14.3
JFER-100	1000	40	27×27	32.5	Φ31.65	45	90	0.95	0.47	8.50	4.30	14.5
JFER-160	1600	60	MaxΦ45		Deep 65		90	1.70	0.85	N/A	N/A	68
JFER-200	2000	60	MaxΦ45		Deep 65		90	1.70	0.85	N/A	N/A	68
JFER-300	3000	120	MaxΦ45		Deep 65		90	1.70	0.85	N/A	N/A	68
JFER-400	4000	200	MaxΦ45		Deep 65		90	1.70	0.85	N/A	N/A	68
JFER-500	5000	200	MaxΦ45		Deep 65		90	1.70	0.85	N/A	N/A	68
JFER-600	6000	200	MaxΦ45		Deep 65		90	1.70	0.85	N/A	N/A	68

STANDARD TECHNICAL PARAMETER

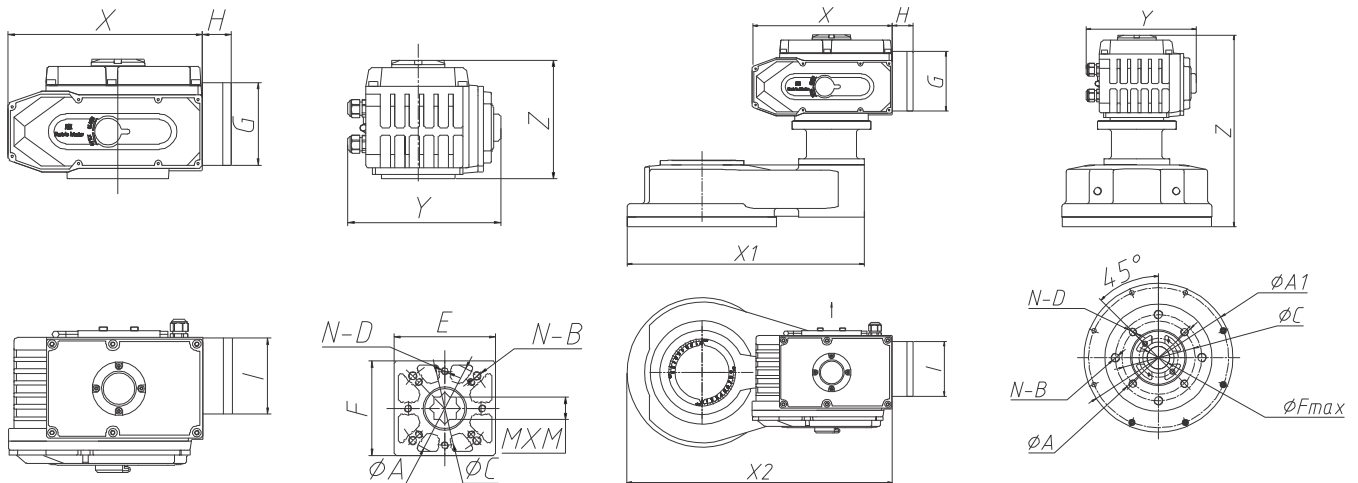
Shell	Aluminium alloy Shell, Enclosure:IP67,IP68 is optional	
Power	Available AC Voltages: 120VAC or 220VAC /1PH/50-60Hz Available DC Voltages: 12VDC / 24VDC / 110VDC / 220VDC	
Controlling power	3-Wire Control	
Motor	Squirrel-cage Asynchronous Motor	
Limit switch	2 x Open / Close, SPDT, 250VAC @ 10A	
Auxiliary limit switch	2 x Open / Close, SPDT, 250VAC @ 10A	
Travel	90°~ 240°+/-10°(must specify if over 90°)	0°~270°
Fail safe/ Operating temperature	Internal-placed thermal protection, On 120°C ±5°C/Off 97°C ± 5°C	
Indicator	Continuous situation indication	
Manul operation	Mechanical handle (Handwheel is optional)	
Self-locking device	Self-locking by worm and worm gear	
Mechanical Limit	2 x external adjustable stopper	
Space heater	30 W (110/220V AC) Anti-condensation	
Conduit entries	(2) 1/2" NPT Conduit Entries	
Ambient temperature	-20°C~+70°C	
Lubrication	Grease moly(EP tyte)	
Material	Steel, Aluminium alloy, Aluminium bronze, Polycarbonate	
Ambient humidity	Max 90% RH	Non-Condensing
Anti-vibration	X Y Z 10g,0.2~34 Hz,30 minutes	
External coating	Dry powder, Epoxy polyester	

JFER Electric Actuator Series

GENERAL DRAWING

JFER- 003~100

JFER- 160~600



Unit: mm

Model	X	Y	Z	φA	N-B	φC	N-D	φA1	E	F	G	H	I	X1	X2	M×M
JFER-003	123	123	113	φ50	4-M6	φ42	8-M5	///	50	50	///	///	///	///	///	11×11
JFER-005	160	146	121	φ70	4-M8	φ50	4-M6	///	66	66	114	40	100	///	///	14×14
JFER-008	160	146	121	φ70	4-M8	φ50	4-M6	///	66	66	114	40	100	///	///	14×14
JFER-010	189	163	129	φ70	4-M8	φ50	4-M6	///	100	90	114	40	100	///	///	17×17
JFER-015	189	163	129	φ70	4-M8	φ50	4-M6	///	100	90	114	40	100	///	///	17×17
JFER-020	268	212	164	φ125	4-M12	φ102	8-M10	///	140	130	114	40	100	///	///	22×22
JFER-030	268	212	164	φ125	4-M12	φ102	8-M10	///	140	130	114	40	100	///	///	22×22
JFER-040	268	212	164	φ125	4-M12	φ102	8-M10	///	140	130	114	40	100	///	///	22×22
JFER-060	268	212	164	φ125	4-M12	φ102	8-M10	///	140	130	114	40	100	///	///	27×27
JFER-080	268	212	164	φ125	4-M12	φ102	8-M10	///	140	130	114	40	100	///	///	27×27
JFER-100	268	212	164	φ125	4-M12	φ102	8-M10	///	140	130	114	40	100	///	///	27×27
JFER-160	268	212	367.5	φ165	4-M18	φ140	4-M16	φ285	///	φ45	114	40	100	454	508	///
JFER-200	268	212	367.5	φ165	4-M18	φ140	4-M16	φ285	///	φ45	114	40	100	454	508	///
JFER-300	268	212	367.5	φ165	4-M18	φ140	4-M16	φ285	///	φ45	114	40	100	454	508	///
JFER-400	268	212	367.5	φ165	4-M18	φ140	4-M16	φ285	///	φ45	114	40	100	454	508	///
JFER-500	268	212	367.5	φ165	4-M18	φ140	4-M16	φ285	///	φ45	114	40	100	454	508	///
JFER-600	268	212	367.5	φ165	4-M18	φ140	4-M16	φ285	///	φ45	114	40	100	454	508	///