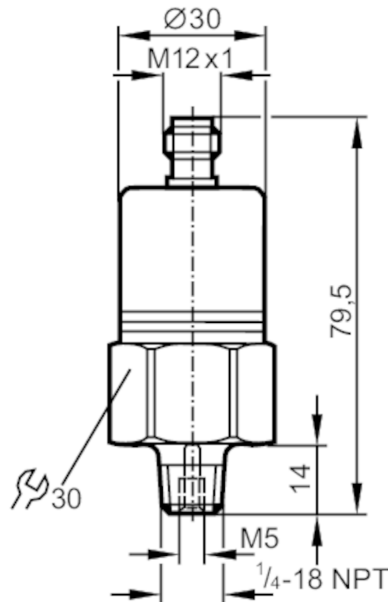


PX3111



Pressure transmitter with ceramic measuring cell

PA-300PSBN14-A-ZVG/US/ IV



Product characteristics

Number of inputs and outputs	Number of analog outputs: 1	
Measuring range	0...3000 psi	0...20700 kPa
Process connection	threaded connection 1/4" NPT external thread Internal thread:M5	

Application

Special feature	gold-plated contacts	
Application	for industrial applications	
Media	liquids and gases	
Conditionally suitable for	use in gases at pressures > 25 bar only on request	
Medium temperature [°C]	-25...90	
Min. burst pressure	12300 psi	84.8 MPa
Pressure rating	5800 psi	40 MPa
Type of pressure	relative pressure	

Electrical data

Operating voltage [V]	9.6...32 DC	
Min. insulation resistance [MΩ]	100; (500 V DC)	
Protection class	III	
Reverse polarity protection	yes	

Inputs / outputs

Number of inputs and outputs	Number of analog outputs: 1	
------------------------------	-----------------------------	--

Outputs

Total number of outputs	1	
Output signal	analog signal	
Number of analog outputs	1	

PX3111



Pressure transmitter with ceramic measuring cell

PA-300PSBN14-A-ZVG/US/ IV

Analog current output	[mA]	4...20
Max. load	[Ω]	720; (U _b = 24 V; (U _b - 9,6 V) / 20 mA)
Overload protection		yes

Measuring/setting range

Measuring range	0...3000 psi	0...20700 kPa
-----------------	--------------	---------------

Accuracy / deviations

Repeatability	[% of the span]	< 0,15; (with temperature fluctuations < 10 K)
Characteristics deviation	[% of the span]	< ± 0,35 (BFSL) / < ± 0,75 (LS); (BFSL = Best Fit Straight Line; LS = limit value setting)
Long-term stability	[% of the span]	< ± 0,05; (per 6 months)
Temperature coefficient zero point	[% of the span / 10 K]	0,2; (0...80 °C)
Temperature coefficient span	[% of the span / 10 K]	0,3; (0...80 °C)

Reaction times

Step response time analog output	[ms]	3
----------------------------------	------	---

Operating conditions

Ambient temperature	[°C]	-25...80
Storage temperature	[°C]	-40...100
Protection		IP 68; IP 69K

Tests / approvals

EMC	EN 61000-4-2 ESD	4 kV CD / 8 kV AD
	EN 61000-4-3 HF radiated	30 V/m
	EN 61000-4-4 Burst	2 kV
	EN 61000-4-6 HF conducted	10 V
	radiation of interference	according to the automotive directive 2004/104/EC / CISPR 25
	noise immunity	according to the automotive directive 2004/104/EC / ISO 11452-2
	HF radiated	100 V/m
	pulse resistance	ISO 7637-2 / severity level 3
Shock resistance	DIN IEC 68-2-27	50 g (11 ms)
Vibration resistance	DIN IEC 68-2-6	20 g (10...2000 Hz)
MTTF	[years]	555
Pressure equipment directive		sound engineering practice; can be used for group 2 fluids; group 1 fluids on request

Mechanical data

Weight	[g]	213
Housing		tubular
Dimensions	[mm]	Ø 30 / L = 79.5
Material		stainless steel (1.4404 / 316L); FKM; PA; EPDM/X
Materials (wetted parts)		stainless steel (1.4305 / 303); ceramics; FKM
Min. pressure cycles		100 million
Process connection		threaded connection 1/4" NPT external thread Internal thread:M5

PX3111



Pressure transmitter with ceramic measuring cell

PA-300PSBN14-A-ZVG/US/ IV

Restrictor element integrated no (can be retrofitted)

Remarks

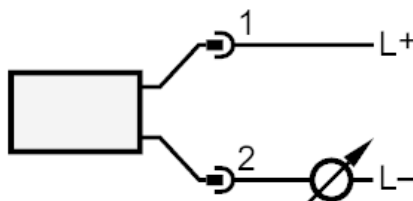
Pack quantity 1 pcs.

Electrical connection

Connector: 1 x M12; coding: A; Contacts: gold-plated



Connection

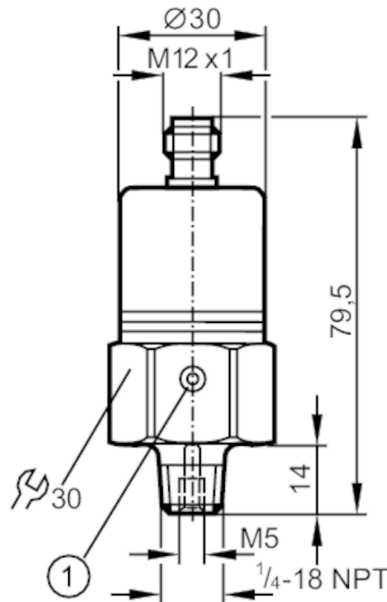


PX3223



Pressure transmitter with ceramic measuring cell

PA-050PRBN14-A-ZVG/US/ IV



1 ventilation



Product characteristics

Number of inputs and outputs	Number of analog outputs: 1	
Measuring range	0...500 psi	0...3450 kPa
Process connection	threaded connection 1/4" NPT external thread Internal thread:M5	

Application

Special feature	gold-plated contacts	
Application	for industrial applications	
Media	liquids and gases	
Conditionally suitable for	use in gases at pressures > 25 bar only on request	
Medium temperature [°C]	-25...90	
Min. burst pressure	5075 psi	35 MPa
Pressure rating	2175 psi	15 MPa
Type of pressure	relative pressure	

Electrical data

Operating voltage [V]	9.6...32 DC	
Min. insulation resistance [MΩ]	100; (500 V DC)	
Protection class	III	
Reverse polarity protection	yes	

Inputs / outputs

Number of inputs and outputs	Number of analog outputs: 1	
------------------------------	-----------------------------	--

Outputs

Total number of outputs	1	
Output signal	analog signal	
Number of analog outputs	1	

PX3223



Pressure transmitter with ceramic measuring cell

PA-050PRBN14-A-ZVG/US/ IV

Analog current output	[mA]	4...20
Max. load	[Ω]	720; (U _b = 24 V; (U _b - 9,6 V) / 20 mA)
Overload protection		yes

Measuring/setting range

Measuring range	0...500 psi	0...3450 kPa
-----------------	-------------	--------------

Accuracy / deviations

Repeatability	[% of the span]	< 0,1; (with temperature fluctuations < 10 K)
Characteristics deviation	[% of the span]	< ± 0,35 (BFSL) / < ± 0,75 (LS); (BFSL = Best Fit Straight Line; LS = limit value setting)
Long-term stability	[% of the span]	< ± 0,05; (per 6 months)
Temperature coefficient zero point	[% of the span / 10 K]	0,2; (0...80 °C)
Temperature coefficient span	[% of the span / 10 K]	0,3; (0...80 °C)

Reaction times

Step response time analog output	[ms]	3
----------------------------------	------	---

Operating conditions

Ambient temperature	[°C]	-25...80
Storage temperature	[°C]	-40...100
Protection		IP 65

Tests / approvals

EMC	EN 61000-4-2 ESD	4 kV CD / 8 kV AD
	EN 61000-4-3 HF radiated	30 V/m
	EN 61000-4-4 Burst	2 kV
	EN 61000-4-6 HF conducted	10 V
	radiation of interference	according to the automotive directive 2004/104/EC / CISPR 25
	noise immunity	according to the automotive directive 2004/104/EC / ISO 11452-2
	HF radiated	100 V/m
	pulse resistance	ISO 7637-2 / severity level 3
Shock resistance	DIN IEC 68-2-27	50 g (11 ms)
Vibration resistance	DIN IEC 68-2-6	20 g (10...2000 Hz)
MTTF	[years]	555
Pressure equipment directive		sound engineering practice; can be used for group 2 fluids; group 1 fluids on request

Mechanical data

Weight	[g]	213.5
Housing		tubular
Dimensions	[mm]	Ø 30 / L = 79.5
Material		stainless steel (1.4404 / 316L); FKM; PA; EPDM/X
Materials (wetted parts)		stainless steel (1.4305 / 303); ceramics; FKM
Min. pressure cycles		100 million
Process connection		threaded connection 1/4" NPT external thread Internal thread:M5

PX3223



Pressure transmitter with ceramic measuring cell

PA-050PRBN14-A-ZVG/US/ IV

Restrictor element integrated

no (can be retrofitted)

Remarks

Pack quantity

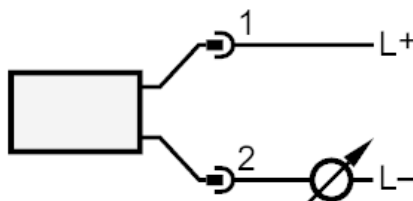
1 pcs.

Electrical connection

Connector: 1 x M12; coding: A; Contacts: gold-plated



Connection

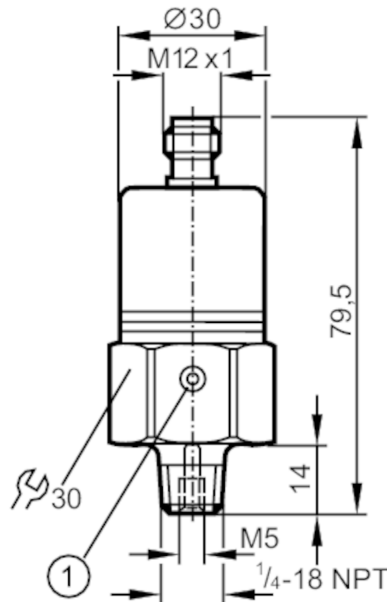


PX3226



Pressure transmitter with ceramic measuring cell

PA-003PRBN14-A-ZVG/US/ IV



1 ventilation



Product characteristics

Number of inputs and outputs	Number of analog outputs: 1	
Measuring range	0...30 psi	0...207 kPa
Process connection	threaded connection 1/4" NPT external thread Internal thread:M5	

Application

Special feature	gold-plated contacts	
Application	for industrial applications	
Media	liquids and gases	
Medium temperature [°C]	-25...90	
Min. burst pressure	725 psi	5 MPa
Pressure rating	290 psi	2 MPa
Type of pressure	relative pressure	

Electrical data

Operating voltage [V]	9.6...32 DC	
Min. insulation resistance [MΩ]	100; (500 V DC)	
Protection class	III	
Reverse polarity protection	yes	

Inputs / outputs

Number of inputs and outputs	Number of analog outputs: 1	
------------------------------	-----------------------------	--

Outputs

Total number of outputs	1	
Output signal	analog signal	
Number of analog outputs	1	
Analog current output [mA]	4...20	

PX3226



Pressure transmitter with ceramic measuring cell

PA-003PRBN14-A-ZVG/US/ IV

Max. load	[Ω]	720; (U _b = 24 V; (U _b - 9,6 V) / 20 mA)
Overload protection		yes
Measuring/setting range		
Measuring range		0...30 psi 0...207 kPa
Accuracy / deviations		
Repeatability	[% of the span]	< 0,15; (with temperature fluctuations < 10 K)
Characteristics deviation	[% of the span]	< ± 0,35 (BFSL) / < ± 0,75 (LS); (BFSL = Best Fit Straight Line; LS = limit value setting)
Long-term stability	[% of the span]	< ± 0,05; (per 6 months)
Temperature coefficient zero point	[% of the span / 10 K]	0,2; (0...80 °C)
Temperature coefficient span	[% of the span / 10 K]	0,3; (0...80 °C)
Reaction times		
Step response time analog output	[ms]	3
Operating conditions		
Ambient temperature	[°C]	-25...80
Storage temperature	[°C]	-40...100
Protection		IP 65
Tests / approvals		
EMC	EN 61000-4-2 ESD	4 kV CD / 8 kV AD
	EN 61000-4-3 HF radiated	30 V/m
	EN 61000-4-4 Burst	2 kV
	EN 61000-4-6 HF conducted	10 V
	radiation of interference	according to the automotive directive 2004/104/EC / CISPR 25
	noise immunity	according to the automotive directive 2004/104/EC / ISO 11452-2
	HF radiated	100 V/m
	pulse resistance	ISO 7637-2 / severity level 3
Shock resistance	DIN IEC 68-2-27	50 g (11 ms)
Vibration resistance	DIN IEC 68-2-6	20 g (10...2000 Hz)
MTTF	[years]	555
Pressure equipment directive		sound engineering practice; can be used for group 2 fluids; group 1 fluids on request
Mechanical data		
Weight	[g]	213
Housing		tubular
Dimensions	[mm]	Ø 30 / L = 79.5
Material		stainless steel (1.4404 / 316L); FKM; PA; EPDM/X
Materials (wetted parts)		stainless steel (1.4305 / 303); ceramics; FKM
Min. pressure cycles		100 million
Process connection		threaded connection 1/4" NPT external thread Internal thread:M5
Restrictor element integrated		no (can be retrofitted)

PX3226



Pressure transmitter with ceramic measuring cell

PA-003PRBN14-A-ZVG/US/ IV

Remarks

Pack quantity

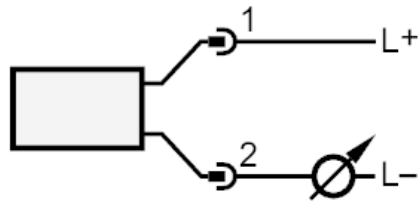
1 pcs.

Electrical connection

Connector: 1 x M12; coding: A; Contacts: gold-plated



Connection

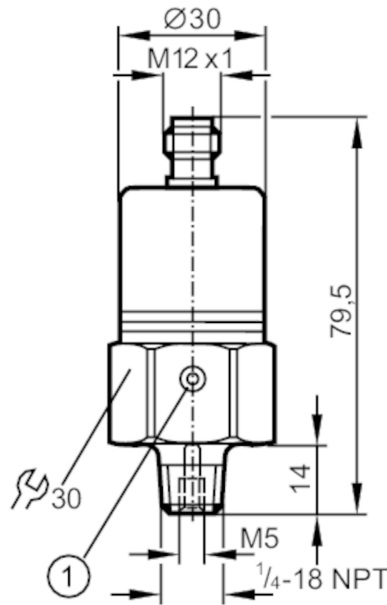


PX3227



Pressure transmitter with ceramic measuring cell

PA-001PRBN14-A-ZVG/US/ IV



1 ventilation



Product characteristics

Number of inputs and outputs	Number of analog outputs: 1	
Measuring range	0...15 psi	0...103 kPa
Process connection	threaded connection 1/4" NPT external thread Internal thread:M5	

Application

Special feature	gold-plated contacts	
Application	for industrial applications	
Media	liquids and gases	
Medium temperature [°C]	-25...90	
Min. burst pressure	450 psi	3.1 MPa
Pressure rating	145 psi	1 MPa
Type of pressure	relative pressure	

Electrical data

Operating voltage [V]	9.6...32 DC	
Min. insulation resistance [MΩ]	100; (500 V DC)	
Protection class	III	
Reverse polarity protection	yes	

Inputs / outputs

Number of inputs and outputs	Number of analog outputs: 1	
------------------------------	-----------------------------	--

Outputs

Total number of outputs	1	
Output signal	analog signal	
Number of analog outputs	1	
Analog current output [mA]	4...20	

PX3227



Pressure transmitter with ceramic measuring cell

PA-001PRBN14-A-ZVG/US/ IV

Max. load	[Ω]	720; (U _b = 24 V; (U _b - 9,6 V) / 20 mA)
Overload protection		yes
Measuring/setting range		
Measuring range		0...15 psi 0...103 kPa
Accuracy / deviations		
Repeatability	[% of the span]	< 0,1; (with temperature fluctuations < 10 K)
Characteristics deviation	[% of the span]	< ± 0,25 (BFSL) / < ± 0,5 (LS); (BFSL = Best Fit Straight Line; LS = limit value setting)
Long-term stability	[% of the span]	< ± 0,05; (per 6 months)
Temperature coefficient zero point	[% of the span / 10 K]	0,15; (0...80 °C)
Temperature coefficient span	[% of the span / 10 K]	0,2; (0...80 °C)
Reaction times		
Step response time analog output	[ms]	3
Operating conditions		
Ambient temperature	[°C]	-25...80
Storage temperature	[°C]	-40...100
Protection		IP 65
Tests / approvals		
EMC	EN 61000-4-2 ESD	4 kV CD / 8 kV AD
	EN 61000-4-3 HF radiated	30 V/m
	EN 61000-4-4 Burst	2 kV
	EN 61000-4-6 HF conducted	10 V
	radiation of interference	according to the automotive directive 2004/104/EC / CISPR 25
	noise immunity	according to the automotive directive 2004/104/EC / ISO 11452-2
	HF radiated	100 V/m
	pulse resistance	ISO 7637-2 / severity level 3
Shock resistance	DIN IEC 68-2-27	50 g (11 ms)
Vibration resistance	DIN IEC 68-2-6	20 g (10...2000 Hz)
MTTF	[years]	555
Pressure equipment directive		sound engineering practice; can be used for group 2 fluids; group 1 fluids on request
Mechanical data		
Weight	[g]	213
Housing		tubular
Dimensions	[mm]	Ø 30 / L = 79.5
Material		stainless steel (1.4404 / 316L); FKM; PA; EPDM/X
Materials (wetted parts)		stainless steel (1.4305 / 303); ceramics; FKM
Min. pressure cycles		100 million
Process connection		threaded connection 1/4" NPT external thread Internal thread:M5
Restrictor element integrated		no (can be retrofitted)

PX3227



Pressure transmitter with ceramic measuring cell

PA-001PRBN14-A-ZVG/US/ IV

Remarks

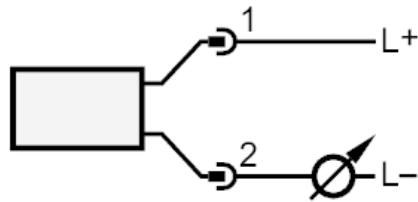
Pack quantity 1 pcs.

Electrical connection

Connector: 1 x M12; coding: A; Contacts: gold-plated



Connection

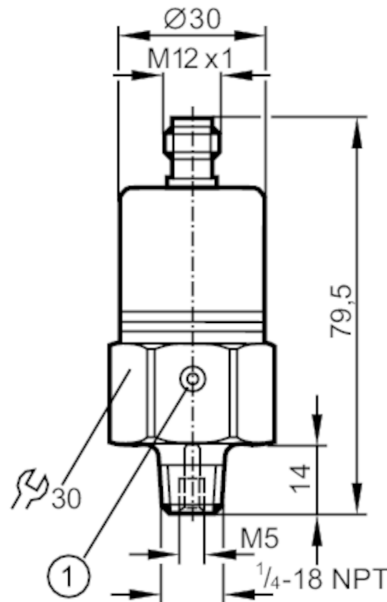


PX3228



Pressure transmitter with ceramic measuring cell

PA-010WRBN14-A-ZVG/US/ IV



1 ventilation



Product characteristics

Number of inputs and outputs	Number of analog outputs: 1	
Measuring range	0...100 inH2O	0...25 kPa
Process connection	threaded connection 1/4" NPT external thread Internal thread:M5	

Application

Special feature	gold-plated contacts	
Application	for industrial applications	
Media	liquids and gases	
Medium temperature [°C]	-25...90	
Min. burst pressure	12043 inH2O	3 MPa
Pressure rating	2400 inH2O	1 MPa
Type of pressure	relative pressure	

Electrical data

Operating voltage [V]	9.6...32 DC	
Min. insulation resistance [MΩ]	100; (500 V DC)	
Protection class	III	
Reverse polarity protection	yes	

Inputs / outputs

Number of inputs and outputs	Number of analog outputs: 1	
------------------------------	-----------------------------	--

Outputs

Total number of outputs	1	
Output signal	analog signal	
Number of analog outputs	1	
Analog current output [mA]	4...20	

PX3228



Pressure transmitter with ceramic measuring cell

PA-010WRBN14-A-ZVG/US/ /V

Max. load	[Ω]	720; (U _b = 24 V; (U _b - 9,6 V) / 20 mA)
Overload protection		yes
Measuring/setting range		
Measuring range		0...100 inH ₂ O 0...25 kPa
Accuracy / deviations		
Repeatability	[% of the span]	< 0,15; (with temperature fluctuations < 10 K)
Characteristics deviation	[% of the span]	< ± 0,35 (BFSL) / < ± 0,75 (LS); (BFSL = Best Fit Straight Line; LS = limit value setting)
Long-term stability	[% of the span]	< ± 0,05; (per 6 months)
Temperature coefficient zero point	[% of the span / 10 K]	0,2; (0...80 °C)
Temperature coefficient span	[% of the span / 10 K]	0,3; (0...80 °C)
Reaction times		
Step response time analog output	[ms]	3
Operating conditions		
Ambient temperature	[°C]	-25...80
Storage temperature	[°C]	-40...100
Protection		IP 65
Tests / approvals		
EMC	EN 61000-4-2 ESD	4 kV CD / 8 kV AD
	EN 61000-4-3 HF radiated	30 V/m
	EN 61000-4-4 Burst	2 kV
	EN 61000-4-6 HF conducted	10 V
	radiation of interference	according to the automotive directive 2004/104/EC / CISPR 25
	noise immunity	according to the automotive directive 2004/104/EC / ISO 11452-2
	HF radiated	100 V/m
pulse resistance	ISO 7637-2 / severity level 3	
Shock resistance	DIN IEC 68-2-27	50 g (11 ms)
Vibration resistance	DIN IEC 68-2-6	20 g (10...2000 Hz)
MTTF	[years]	555
Pressure equipment directive		sound engineering practice; can be used for group 2 fluids; group 1 fluids on request
Mechanical data		
Weight	[g]	212
Housing		tubular
Dimensions	[mm]	Ø 30 / L = 79.5
Material		stainless steel (1.4404 / 316L); FKM; PA; EPDM/X
Materials (wetted parts)		stainless steel (1.4305 / 303); ceramics; FKM
Min. pressure cycles		100 million
Process connection		threaded connection 1/4" NPT external thread Internal thread:M5
Restrictor element integrated		no (can be retrofitted)

PX3228



Pressure transmitter with ceramic measuring cell

PA-010WRBN14-A-ZVG/US/ /V

Remarks

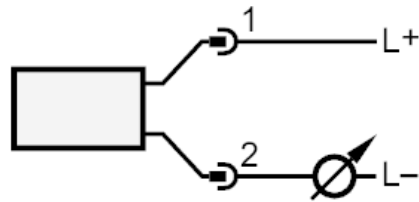
Pack quantity | 1 pcs.

Electrical connection

Connector: 1 x M12; coding: A; Contacts: gold-plated



Connection

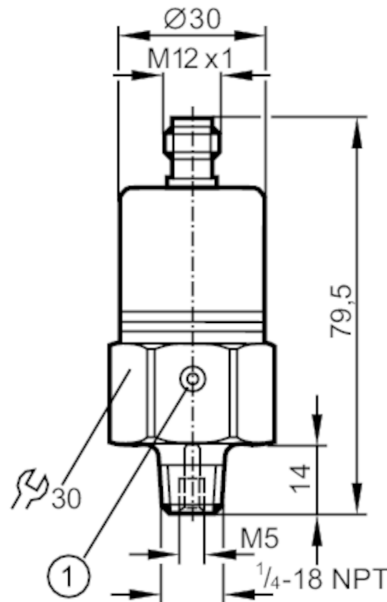


PX3229



Pressure transmitter with ceramic measuring cell

PA-0-1PRBN14-A-ZVG/US/ IV



1 ventilation



Product characteristics

Number of inputs and outputs	Number of analog outputs: 1	
Measuring range	-14.5...0 psi	-100...0 kPa
Process connection	threaded connection 1/4" NPT external thread Internal thread:M5	

Application

Special feature	gold-plated contacts	
Application	for industrial applications	
Media	liquids and gases	
Medium temperature [°C]	-25...90	
Min. burst pressure	450 psi	3.1 MPa
Pressure rating	145 psi	1 MPa
Type of pressure	relative pressure; vacuum	

Electrical data

Operating voltage [V]	9.6...32 DC	
Min. insulation resistance [MΩ]	100; (500 V DC)	
Protection class	III	
Reverse polarity protection	yes	

Inputs / outputs

Number of inputs and outputs	Number of analog outputs: 1	
------------------------------	-----------------------------	--

Outputs

Total number of outputs	1	
Output signal	analog signal	
Number of analog outputs	1	
Analog current output [mA]	20...4	

PX3229



Pressure transmitter with ceramic measuring cell

PA-0-1PRBN14-A-ZVG/US/ IV

Max. load	[Ω]	720; (U _b = 24 V; (U _b - 9,6 V) / 20 mA)
Overload protection		yes
Measuring/setting range		
Measuring range		-14.5...0 psi -100...0 kPa
Accuracy / deviations		
Repeatability	[% of the span]	< 0,1; (with temperature fluctuations < 10 K)
Characteristics deviation	[% of the span]	< ± 0,25 (BFSL) / < ± 0,5 (LS); (BFSL = Best Fit Straight Line; LS = limit value setting)
Long-term stability	[% of the span]	< ± 0,05; (per 6 months)
Temperature coefficient zero point	[% of the span / 10 K]	0,15; (0...80 °C)
Temperature coefficient span	[% of the span / 10 K]	0,2; (0...80 °C)
Reaction times		
Step response time analog output	[ms]	3
Operating conditions		
Ambient temperature	[°C]	-25...80
Storage temperature	[°C]	-40...100
Protection		IP 65
Tests / approvals		
EMC	EN 61000-4-2 ESD	4 kV CD / 8 kV AD
	EN 61000-4-3 HF radiated	30 V/m
	EN 61000-4-4 Burst	2 kV
	EN 61000-4-6 HF conducted	10 V
	radiation of interference	according to the automotive directive 2004/104/EC / CISPR 25
	noise immunity	according to the automotive directive 2004/104/EC / ISO 11452-2
	HF radiated	100 V/m
	pulse resistance	ISO 7637-2 / severity level 3
Shock resistance	DIN IEC 68-2-27	50 g (11 ms)
Vibration resistance	DIN IEC 68-2-6	20 g (10...2000 Hz)
MTTF	[years]	555
Pressure equipment directive		sound engineering practice; can be used for group 2 fluids; group 1 fluids on request
Mechanical data		
Weight	[g]	212.5
Housing		tubular
Dimensions	[mm]	Ø 30 / L = 79.5
Material		stainless steel (1.4404 / 316L); FKM; PA; EPDM/X
Materials (wetted parts)		stainless steel (1.4305 / 303); ceramics; FKM
Min. pressure cycles		100 million
Process connection		threaded connection 1/4" NPT external thread Internal thread:M5
Restrictor element integrated		no (can be retrofitted)

PX3229



Pressure transmitter with ceramic measuring cell

PA-0-1PRBN14-A-ZVG/US/ IV

Remarks

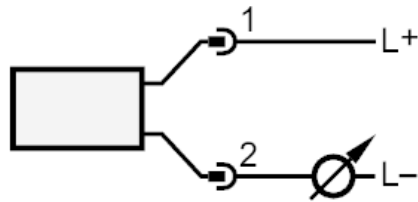
Pack quantity _____ 1 pcs.

Electrical connection

Connector: 1 x M12; coding: A; Contacts: gold-plated



Connection

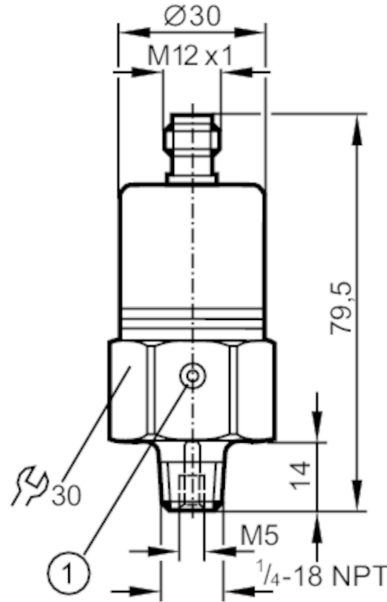


PX3233



Pressure transmitter with ceramic measuring cell

PA-025PRBN14-A-ZVG/US/ IV



1 ventilation



Product characteristics

Number of inputs and outputs	Number of analog outputs: 1	
Measuring range	0...250 psi	0...1720 kPa
Process connection	threaded connection 1/4" NPT external thread Internal thread:M5	

Application

Special feature	gold-plated contacts	
Application	for industrial applications	
Media	liquids and gases	
Medium temperature [°C]	-25...90	
Min. burst pressure	5075 psi	35 MPa
Pressure rating	2175 psi	15 MPa
Type of pressure	relative pressure	

Electrical data

Operating voltage [V]	9.6...32 DC	
Min. insulation resistance [MΩ]	100; (500 V DC)	
Protection class	III	
Reverse polarity protection	yes	

Inputs / outputs

Number of inputs and outputs	Number of analog outputs: 1	
------------------------------	-----------------------------	--

Outputs

Total number of outputs	1	
Output signal	analog signal	
Number of analog outputs	1	
Analog current output [mA]	4...20	

PX3233



Pressure transmitter with ceramic measuring cell

PA-025PRBN14-A-ZVG/US/ IV

Max. load	[Ω]	720; (U _b = 24 V; (U _b - 9,6 V) / 20 mA)
Overload protection		yes
Measuring/setting range		
Measuring range		0...250 psi 0...1720 kPa
Accuracy / deviations		
Repeatability	[% of the span]	< 0,1; (with temperature fluctuations < 10 K)
Characteristics deviation	[% of the span]	< ± 0,35 (BFSL) / < ± 0,75 (LS); (BFSL = Best Fit Straight Line; LS = limit value setting)
Long-term stability	[% of the span]	< ± 0,05; (per 6 months)
Temperature coefficient zero point	[% of the span / 10 K]	0,2; (0...80 °C)
Temperature coefficient span	[% of the span / 10 K]	0,3; (0...80 °C)
Reaction times		
Step response time analog output	[ms]	3
Operating conditions		
Ambient temperature	[°C]	-25...80
Storage temperature	[°C]	-40...100
Protection		IP 65
Tests / approvals		
EMC	EN 61000-4-2 ESD	4 kV CD / 8 kV AD
	EN 61000-4-3 HF radiated	30 V/m
	EN 61000-4-4 Burst	2 kV
	EN 61000-4-6 HF conducted	10 V
	radiation of interference	according to the automotive directive 2004/104/EC / CISPR 25
	noise immunity	according to the automotive directive 2004/104/EC / ISO 11452-2
	HF radiated	100 V/m
	pulse resistance	ISO 7637-2 / severity level 3
Shock resistance	DIN IEC 68-2-27	50 g (11 ms)
Vibration resistance	DIN IEC 68-2-6	20 g (10...2000 Hz)
MTTF	[years]	555
Pressure equipment directive		sound engineering practice; can be used for group 2 fluids; group 1 fluids on request
Mechanical data		
Weight	[g]	216
Housing		tubular
Dimensions	[mm]	Ø 30 / L = 79.5
Material		stainless steel (1.4404 / 316L); FKM; PA; EPDM/X
Materials (wetted parts)		stainless steel (1.4305 / 303); ceramics; FKM
Min. pressure cycles		100 million
Process connection		threaded connection 1/4" NPT external thread Internal thread:M5
Restrictor element integrated		no (can be retrofitted)

PX3233



Pressure transmitter with ceramic measuring cell

PA-025PRBN14-A-ZVG/US/ IV

Remarks

Pack quantity

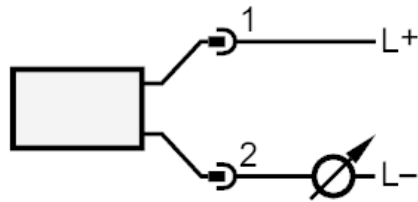
1 pcs.

Electrical connection

Connector: 1 x M12; coding: A; Contacts: gold-plated



Connection

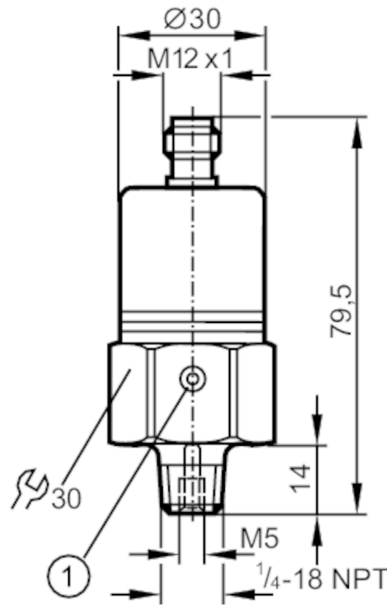


PX3234



Pressure transmitter with ceramic measuring cell

PA-020PRBN14-A-ZVG/US/ IV



1 ventilation



Product characteristics

Number of inputs and outputs	Number of analog outputs: 1	
Measuring range	0...200 psi	0...1380 kPa
Process connection	threaded connection 1/4" NPT external thread Internal thread:M5	

Application

Special feature	gold-plated contacts	
Application	for industrial applications	
Media	liquids and gases	
Medium temperature [°C]	-25...90; (on request: -40...90 °C)	
Min. burst pressure	2175 psi	15 MPa
Pressure rating	1087 psi	7.5 MPa
Type of pressure	relative pressure	

Electrical data

Operating voltage [V]	9.6...32 DC	
Min. insulation resistance [MΩ]	100; (500 V DC)	
Protection class	III	
Reverse polarity protection	yes	

Inputs / outputs

Number of inputs and outputs	Number of analog outputs: 1	
------------------------------	-----------------------------	--

Outputs

Total number of outputs	1	
Output signal	analog signal	
Number of analog outputs	1	
Analog current output [mA]	4...20	

PX3234



Pressure transmitter with ceramic measuring cell

PA-020PRBN14-A-ZVG/US/ IV

Max. load	[Ω]	720; (U _b = 24 V; (U _b - 9,6 V) / 20 mA)
Overload protection		yes
Measuring/setting range		
Measuring range		0...200 psi 0...1380 kPa
Accuracy / deviations		
Repeatability	[% of the span]	< 0,1; (with temperature fluctuations < 10 K)
Characteristics deviation	[% of the span]	< ± 0,35 (BFSL) / < ± 0,75 (LS); (BFSL = Best Fit Straight Line; LS = limit value setting)
Long-term stability	[% of the span]	< ± 0,05; (per 6 months)
Temperature coefficient zero point	[% of the span / 10 K]	0,15; (0...80 °C)
Temperature coefficient span	[% of the span / 10 K]	0,2; (0...80 °C)
Reaction times		
Step response time analog output	[ms]	3
Operating conditions		
Ambient temperature	[°C]	-25...80
Storage temperature	[°C]	-40...100
Protection		IP 65
Tests / approvals		
EMC	EN 61000-4-2 ESD	4 kV CD / 8 kV AD
	EN 61000-4-3 HF radiated	30 V/m
	EN 61000-4-4 Burst	2 kV
	EN 61000-4-6 HF conducted	10 V
	radiation of interference	according to the automotive directive 2004/104/EC / CISPR 25
	noise immunity	according to the automotive directive 2004/104/EC / ISO 11452-2
	HF radiated	100 V/m
	pulse resistance	ISO 7637-2 / severity level 3
Shock resistance	DIN IEC 68-2-27	50 g (11 ms)
Vibration resistance	DIN IEC 68-2-6	20 g (10...2000 Hz)
MTTF	[years]	555
UL approval	File number UL	E174189
Pressure equipment directive		sound engineering practice; can be used for group 2 fluids; group 1 fluids on request
Mechanical data		
Weight	[g]	215.5
Housing		tubular
Dimensions	[mm]	Ø 30 / L = 79.5
Material		stainless steel (1.4404 / 316L); FKM; PA; EPDM/X
Materials (wetted parts)		stainless steel (1.4305 / 303); ceramics; FKM
Min. pressure cycles		100 million
Process connection		threaded connection 1/4" NPT external thread Internal thread:M5

PX3234



Pressure transmitter with ceramic measuring cell

PA-020PRBN14-A-ZVG/US/ IV

Restrictor element integrated

no (can be retrofitted)

Remarks

Pack quantity

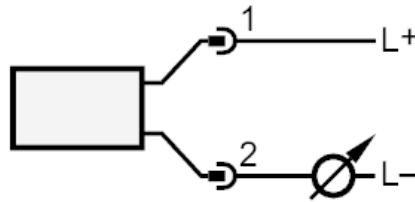
1 pcs.

Electrical connection

Connector: 1 x M12; coding: A; Contacts: gold-plated



Connection

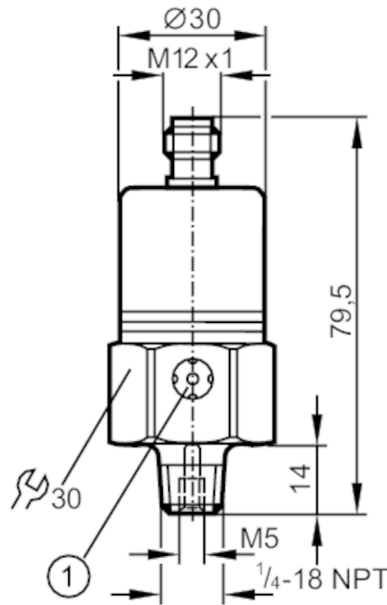


PX3237



Pressure transmitter with ceramic measuring cell

PA-002PRBN14-A-ZVG/US/ IV



1 ventilation



Product characteristics

Number of inputs and outputs	Number of analog outputs: 1	
Measuring range	0...20 psi	0...138 kPa
Process connection	threaded connection 1/4" NPT external thread Internal thread:M5	

Application

Special feature	gold-plated contacts	
Application	for industrial applications	
Media	liquids and gases	
Medium temperature [°C]	-25...90	
Min. burst pressure	450 psi	3.1 MPa
Pressure rating	145 psi	1 MPa
Type of pressure	relative pressure	

Electrical data

Operating voltage [V]	9.6...32 DC	
Min. insulation resistance [MΩ]	100; (500 V DC)	
Protection class	III	
Reverse polarity protection	yes	

Inputs / outputs

Number of inputs and outputs	Number of analog outputs: 1	
------------------------------	-----------------------------	--

Outputs

Total number of outputs	1	
Output signal	analog signal	
Number of analog outputs	1	
Analog current output [mA]	4...20	

PX3237



Pressure transmitter with ceramic measuring cell

PA-002PRBN14-A-ZVG/US/ IV

Max. load	[Ω]	720; (U _b = 24 V; (U _b - 9,6 V) / 20 mA)
Overload protection		yes
Measuring/setting range		
Measuring range		0...20 psi 0...138 kPa
Accuracy / deviations		
Repeatability	[% of the span]	< 0,15; (with temperature fluctuations < 10 K)
Characteristics deviation	[% of the span]	< ± 0,25 (BFSL) / < ± 0,5 (LS); (BFSL = Best Fit Straight Line; LS = limit value setting)
Long-term stability	[% of the span]	< ± 0,1; (per 6 months)
Temperature coefficient zero point	[% of the span / 10 K]	0,2; (0...80 °C)
Temperature coefficient span	[% of the span / 10 K]	0,4; (0...80 °C)
Reaction times		
Step response time analog output	[ms]	3
Operating conditions		
Ambient temperature	[°C]	-25...80
Storage temperature	[°C]	-40...100
Protection		IP 67
Tests / approvals		
EMC	EN 61000-4-2 ESD	4 kV CD / 8 kV AD
	EN 61000-4-3 HF radiated	30 V/m
	EN 61000-4-4 Burst	2 kV
	EN 61000-4-6 HF conducted	10 V
	radiation of interference	according to the automotive directive 2004/104/EC / CISPR 25
	noise immunity	according to the automotive directive 2004/104/EC / ISO 11452-2
	HF radiated	100 V/m
	pulse resistance	ISO 7637-2 / severity level 3
Shock resistance	DIN IEC 68-2-27	50 g (11 ms)
Vibration resistance	DIN IEC 68-2-6	20 g (10...2000 Hz)
MTTF	[years]	555
Pressure equipment directive		sound engineering practice; can be used for group 2 fluids; group 1 fluids on request
Mechanical data		
Weight	[g]	211.5
Housing		tubular
Dimensions	[mm]	Ø 30 / L = 79.5
Material		stainless steel (1.4404 / 316L); FKM; PA; EPDM/X
Materials (wetted parts)		stainless steel (1.4305 / 303); ceramics; FKM
Min. pressure cycles		100 million
Process connection		threaded connection 1/4" NPT external thread Internal thread:M5
Restrictor element integrated		no (can be retrofitted)

PX3237



Pressure transmitter with ceramic measuring cell

PA-002PRBN14-A-ZVG/US/ IV

Remarks

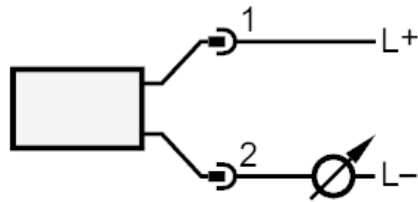
Pack quantity 1 pcs.

Electrical connection

Connector: 1 x M12; coding: A; Contacts: gold-plated



Connection

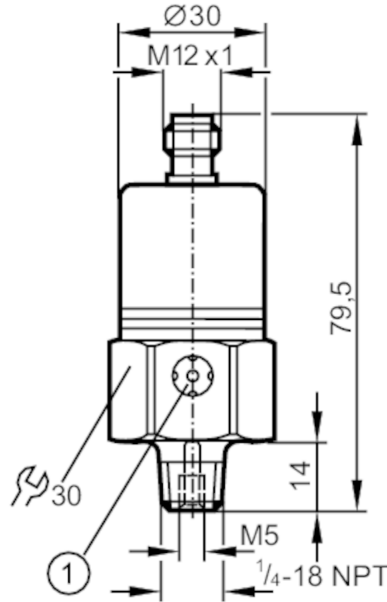


PX3238



Pressure transmitter with ceramic measuring cell

PA-0,5PRBN14-A-ZVG/US/ IV



1 ventilation



Product characteristics

Number of inputs and outputs	Number of analog outputs: 1	
Measuring range	0...5 psi	0...34.5 kPa
Process connection	threaded connection 1/4" NPT external thread Internal thread:M5	

Application

Special feature	gold-plated contacts	
Application	for industrial applications	
Media	liquids and gases	
Medium temperature [°C]	-25...90	
Min. burst pressure	450 psi	3.1 MPa
Pressure rating	145 psi	1 MPa
Type of pressure	relative pressure	

Electrical data

Operating voltage [V]	9.6...32 DC	
Min. insulation resistance [MΩ]	100; (500 V DC)	
Protection class	III	
Reverse polarity protection	yes	

Inputs / outputs

Number of inputs and outputs	Number of analog outputs: 1	
------------------------------	-----------------------------	--

Outputs

Total number of outputs	1	
Output signal	analog signal	
Number of analog outputs	1	
Analog current output [mA]	4...20	

PX3238



Pressure transmitter with ceramic measuring cell

PA-0,5PRBN14-A-ZVG/US/ IV

Max. load	[Ω]	720; (U _b = 24 V; (U _b - 9,6 V) / 20 mA)
Overload protection		yes
Measuring/setting range		
Measuring range		0...5 psi 0...34.5 kPa
Accuracy / deviations		
Repeatability	[% of the span]	< 0,15; (with temperature fluctuations < 10 K)
Characteristics deviation	[% of the span]	< ± 0,25 (BFSL) / < ± 0,5 (LS); (BFSL = Best Fit Straight Line; LS = limit value setting)
Long-term stability	[% of the span]	< ± 0,1; (per 6 months)
Temperature coefficient zero point	[% of the span / 10 K]	0,3; (0...80 °C)
Temperature coefficient span	[% of the span / 10 K]	0,5; (0...80 °C)
Reaction times		
Step response time analog output	[ms]	3
Operating conditions		
Ambient temperature	[°C]	-25...80
Storage temperature	[°C]	-40...100
Protection		IP 67
Tests / approvals		
EMC	EN 61000-4-2 ESD	4 kV CD / 8 kV AD
	EN 61000-4-3 HF radiated	30 V/m
	EN 61000-4-4 Burst	2 kV
	EN 61000-4-6 HF conducted	10 V
	radiation of interference	according to the automotive directive 2004/104/EC / CISPR 25
	noise immunity	according to the automotive directive 2004/104/EC / ISO 11452-2
	HF radiated	100 V/m
	pulse resistance	ISO 7637-2 / severity level 3
Shock resistance	DIN IEC 68-2-27	50 g (11 ms)
Vibration resistance	DIN IEC 68-2-6	20 g (10...2000 Hz)
Pressure equipment directive		sound engineering practice; can be used for group 2 fluids; group 1 fluids on request
Mechanical data		
Weight	[g]	213
Housing		tubular
Dimensions	[mm]	Ø 30 / L = 79.5
Material		stainless steel (1.4404 / 316L); FKM; PA; EPDM/X
Materials (wetted parts)		stainless steel (1.4305 / 303); ceramics; FKM
Min. pressure cycles		100 million
Process connection		threaded connection 1/4" NPT external thread Internal thread:M5
Restrictor element integrated		no (can be retrofitted)

PX3238



Pressure transmitter with ceramic measuring cell

PA-0,5PRBN14-A-ZVG/US/ IV

Remarks

Pack quantity

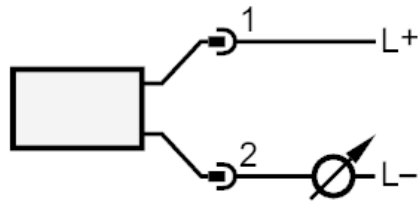
1 pcs.

Electrical connection

Connector: 1 x M12; coding: A; Contacts: gold-plated



Connection

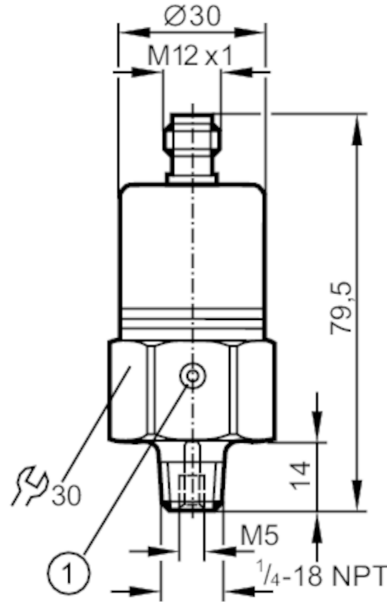


PX3244



Pressure transmitter with ceramic measuring cell

PA-015PRBN14-A-ZVG/US/ IV



1 ventilation



Product characteristics

Number of inputs and outputs	Number of analog outputs: 1	
Measuring range	0...150 psi	0...1030 kPa
Process connection	threaded connection 1/4" NPT external thread Internal thread:M5	

Application

Special feature	gold-plated contacts	
Application	for industrial applications	
Media	liquids and gases	
Medium temperature [°C]	-25...90	
Min. burst pressure	2175 psi	15 MPa
Pressure rating	1087 psi	7.5 MPa
Type of pressure	relative pressure	

Electrical data

Operating voltage [V]	9.6...32 DC	
Min. insulation resistance [MΩ]	100; (500 V DC)	
Protection class	III	
Reverse polarity protection	yes	

Inputs / outputs

Number of inputs and outputs	Number of analog outputs: 1	
------------------------------	-----------------------------	--

Outputs

Total number of outputs	1	
Output signal	analog signal	
Number of analog outputs	1	
Analog current output [mA]	4...20	

PX3244



Pressure transmitter with ceramic measuring cell

PA-015PRBN14-A-ZVG/US/ IV

Max. load	[Ω]	720; (U _b = 24 V; (U _b - 9,6 V) / 20 mA)
Overload protection		yes
Measuring/setting range		
Measuring range		0...150 psi 0...1030 kPa
Accuracy / deviations		
Repeatability	[% of the span]	< 0,15; (with temperature fluctuations < 10 K)
Characteristics deviation	[% of the span]	< ± 0,35 (BFSL) / < ± 0,75 (LS); (incl. linearity, zero and span error (limit value setting))
Long-term stability	[% of the span]	< ± 0,05; (per 6 months)
Temperature coefficient zero point	[% of the span / 10 K]	0,2; (0...80 °C)
Temperature coefficient span	[% of the span / 10 K]	0,3; (0...80 °C)
Reaction times		
Step response time analog output	[ms]	3
Operating conditions		
Ambient temperature	[°C]	-25...80
Storage temperature	[°C]	-40...100
Protection		IP 65
Tests / approvals		
EMC	EN 61000-4-2 ESD	4 kV CD / 8 kV AD
	EN 61000-4-3 HF radiated	30 V/m
	EN 61000-4-4 Burst	2 kV
	EN 61000-4-6 HF conducted	10 V
	radiation of interference	according to the automotive directive 2004/104/EC / CISPR 25
	noise immunity	according to the automotive directive 2004/104/EC / ISO 11452-2
	HF radiated	100 V/m
	pulse resistance	ISO 7637-2 / severity level 3
Shock resistance	DIN IEC 68-2-27	50 g (11 ms)
Vibration resistance	DIN IEC 68-2-6	20 g (10...2000 Hz)
MTTF	[years]	555
Pressure equipment directive		sound engineering practice; can be used for group 2 fluids; group 1 fluids on request
Mechanical data		
Weight	[g]	212
Housing		tubular
Dimensions	[mm]	Ø 30 / L = 79.5
Material		stainless steel (1.4404 / 316L); FKM; PA; EPDM/X
Materials (wetted parts)		stainless steel (1.4305 / 303); ceramics; FKM
Min. pressure cycles		100 million
Process connection		threaded connection 1/4" NPT external thread Internal thread:M5
Restrictor element integrated		no (can be retrofitted)

PX3244



Pressure transmitter with ceramic measuring cell

PA-015PRBN14-A-ZVG/US/ IV

Remarks

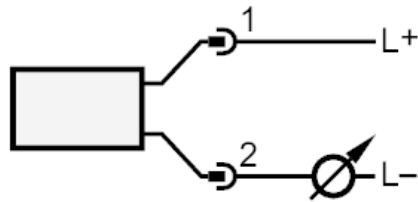
Pack quantity 1 pcs.

Electrical connection

Connector: 1 x M12; coding: A; Contacts: gold-plated



Connection

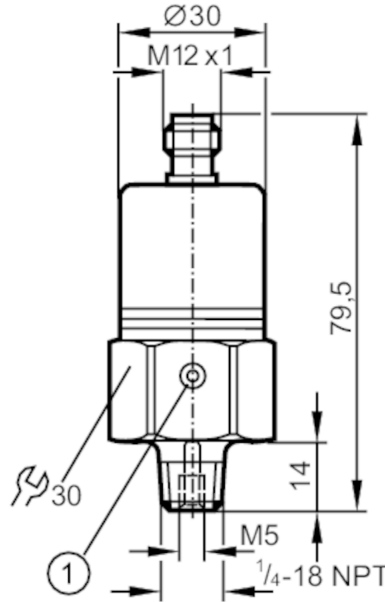


PX3289



Pressure transmitter with ceramic measuring cell

PA-,10BRBN14-A-ZVG/US/ IV



1 ventilation



Product characteristics

Number of inputs and outputs	Number of analog outputs: 1				
Measuring range	0...0.1 bar	0...100 mbar	0...1.45 psi	0...40.16 inH2O	0...10 kPa
Process connection	threaded connection 1/4" NPT external thread Internal thread:M5				

Application

Special feature	gold-plated contacts				
Application	for industrial applications				
Media	liquids and gases				
Medium temperature [°C]	-25...90; (on request: -40...90 °C)				
Min. burst pressure	30000 mbar	435 psi	12030 inH2O	3000 kPa	
Pressure rating	4000 mbar	58 psi	1606 inH2O	400 kPa	
Type of pressure	relative pressure				

Electrical data

Operating voltage [V]	9.6...32 DC				
Min. insulation resistance [MΩ]	100; (500 V DC)				
Protection class	III				
Reverse polarity protection	yes				

Inputs / outputs

Number of inputs and outputs	Number of analog outputs: 1				
------------------------------	-----------------------------	--	--	--	--

Outputs

Total number of outputs	1				
Output signal	analog signal				
Number of analog outputs	1				
Analog current output [mA]	4...20				

PX3289



Pressure transmitter with ceramic measuring cell

PA-,10BRBN14-A-ZVG/US/ IV

Max. load	[Ω]	720; (U _b = 24 V; (U _b - 9,6 V) / 20 mA)
Overload protection		yes

Measuring/setting range

Measuring range	0...0.1 bar	0...100 mbar	0...1.45 psi	0...40.16 inH ₂ O	0...10 kPa
-----------------	-------------	--------------	--------------	------------------------------	------------

Accuracy / deviations

Repeatability	[% of the span]	< 0,2; (with temperature fluctuations < 10 K)
Characteristics deviation	[% of the span]	< ± 0,5 (BFSL) / < ± 1 (LS); (BFSL = Best Fit Straight Line; LS = limit value setting)
Long-term stability	[% of the span]	< ± 0,1; (per 6 months)
Temperature coefficient zero point	[% of the span / 10 K]	< ± 0,5; (0...80 °C)
Temperature coefficient span	[% of the span / 10 K]	< ± 0,5; (0...80 °C)

Reaction times

Step response time analog output	[ms]	3
----------------------------------	------	---

Operating conditions

Ambient temperature	[°C]	-25...80
Storage temperature	[°C]	-40...100
Protection		IP 68

Tests / approvals

EMC	EN 61000-4-2 ESD	4 kV CD / 8 kV AD
	EN 61000-4-3 HF radiated	30 V/m
	EN 61000-4-4 Burst	2 kV
	EN 61000-4-6 HF conducted	10 V
	radiation of interference	according to the automotive directive 2004/104/EC
	CISPR 25	
	noise immunity	according to the automotive directive 2004/104/EC
	ISO 11452-2 HF radiated	100 V/m
Shock resistance	ISO 7637-2 pulse	severity level 3
	DIN EN 60068-2-27	50 g (11 ms)
Vibration resistance	DIN EN 61373	Category 3
	DIN EN 60068-2-6	20 g (10...2000 Hz)
MTTF	[years]	555
UL approval	File number UL	E174189
Pressure equipment directive		sound engineering practice; can be used for group 2 fluids; group 1 fluids on request

Mechanical data

Weight	[g]	210.1
Housing		tubular
Dimensions	[mm]	Ø 30 / L = 79.5
Material		stainless steel (1.4404 / 316L); FKM; PA; EPDM/X
Materials (wetted parts)		stainless steel (1.4305 / 303); ceramics; FKM

PX3289



Pressure transmitter with ceramic measuring cell

PA-,10BRBN14-A-ZVG/US/ IV

Min. pressure cycles	100 million
Tightening torque [Nm]	50; (recommended tightening torque; Depends on lubrication, seal and pressure rating)
Process connection	threaded connection 1/4" NPT external thread Internal thread:M5
Restrictor element integrated	no (can be retrofitted)

Remarks

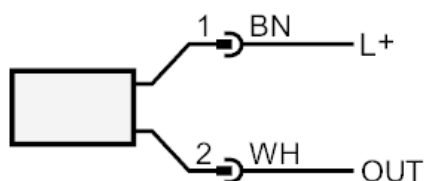
Pack quantity	1 pcs.
---------------	--------

Electrical connection

Connector: 1 x M12; coding: A; Contacts: gold-plated



Connection



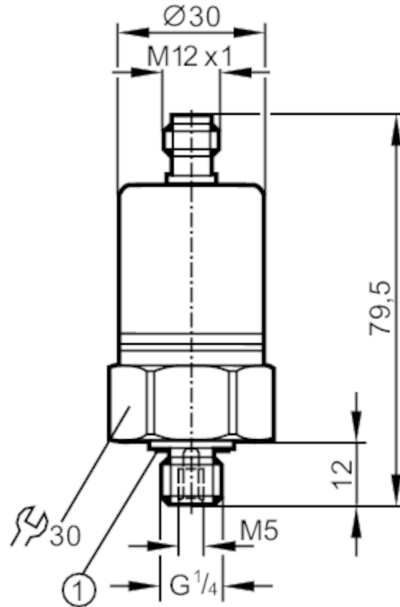
OUT analog output
 Colors to DIN EN 60947-5-2
 Core colors :
BN = brown
WH = white

PX3524



Pressure transmitter with ceramic measuring cell

PA-1-10RBG14-A-ZVG/US/ IV



1 sealing



Product characteristics

Number of inputs and outputs	Number of analog outputs: 1	
Measuring range	-1...10 bar	-100...1000 kPa
Process connection	threaded connection G 1/4 external thread Internal thread:M5	

Application

Special feature	gold-plated contacts	
Application	for industrial applications	
Media	liquids and gases	
Medium temperature [°C]	-25...90; (on request: -40...90 °C)	
Min. burst pressure	150 bar	15 MPa
Pressure rating	75 bar	7.5 MPa
Type of pressure	relative pressure; vacuum	

Electrical data

Operating voltage [V]	9.6...32 DC	
Min. insulation resistance [MΩ]	100; (500 V DC)	
Protection class	III	
Reverse polarity protection	yes	

Inputs / outputs

Number of inputs and outputs	Number of analog outputs: 1	
------------------------------	-----------------------------	--

Outputs

Total number of outputs	1	
Output signal	analog signal	
Number of analog outputs	1	
Analog current output [mA]	4...20	

PX3524



Pressure transmitter with ceramic measuring cell

PA-1-10RBG14-A-ZVG/US/ IV

Max. load	[Ω]	720; (U _b = 24 V; (U _b - 9,6 V) / 20 mA)
Overload protection		yes
Measuring/setting range		
Measuring range		-1...10 bar -100...1000 kPa
Accuracy / deviations		
Repeatability	[% of the span]	< 0,1; (with temperature fluctuations < 10 K)
Characteristics deviation	[% of the span]	< ± 0,25 (BFSL) / < ± 0,5 (LS); (BFSL = Best Fit Straight Line; LS = limit value setting)
Long-term stability	[% of the span]	< ± 0,05; (per 6 months)
Temperature coefficient zero point	[% of the span / 10 K]	0,1; (0...80 °C)
Temperature coefficient span	[% of the span / 10 K]	0,2; (0...80 °C)
Reaction times		
Step response time analog output	[ms]	3
Operating conditions		
Ambient temperature	[°C]	-25...80
Storage temperature	[°C]	-40...100
Protection		IP 65
Tests / approvals		
EMC	EN 61000-4-2 ESD	4 kV CD / 8 kV AD
	EN 61000-4-3 HF radiated	30 V/m
	EN 61000-4-4 Burst	2 kV
	EN 61000-4-6 HF conducted	10 V
	radiation of interference	according to the automotive directive 2004/104/EC / CISPR 25
	noise immunity	according to the automotive directive 2004/104/EC / ISO 11452-2
	HF radiated	100 V/m
	pulse resistance	ISO 7637-2 / severity level 3
Shock resistance	DIN IEC 68-2-27	50 g (11 ms)
Vibration resistance	DIN IEC 68-2-6	20 g (10...2000 Hz)
MTTF	[years]	555
Pressure equipment directive		sound engineering practice; can be used for group 2 fluids; group 1 fluids on request
Mechanical data		
Weight	[g]	218
Housing		tubular
Dimensions	[mm]	Ø 30 / L = 79,5
Material		stainless steel (1.4404 / 316L); FKM; PA; EPDM/X
Materials (wetted parts)		stainless steel (1.4305 / 303); ceramics; sealing: FKM DIN 3869-14
Min. pressure cycles		100 million
Process connection		threaded connection G 1/4 external thread Internal thread:M5
Restrictor element integrated		no (can be retrofitted)

PX3524



Pressure transmitter with ceramic measuring cell

PA-1-10RBG14-A-ZVG/US/ IV

Remarks

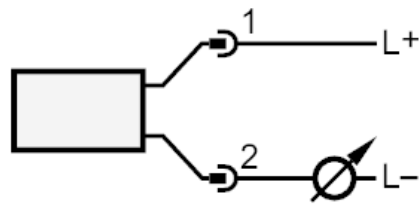
Pack quantity | 1 pcs.

Electrical connection

Connector: 1 x M12; coding: A; Contacts: gold-plated



Connection

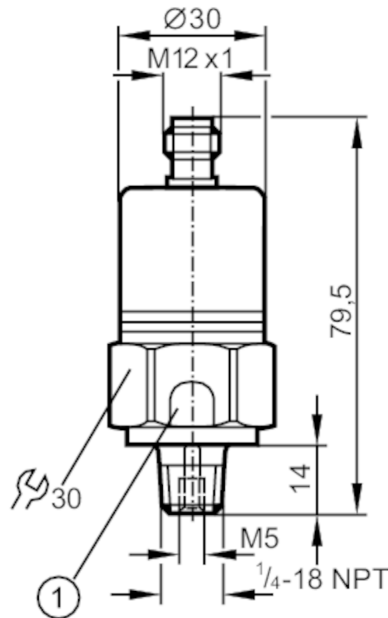


PX9110



Pressure transmitter with ceramic measuring cell

PA-500PSBN14-B-DVG/US/ IV



- 1 Pressure relief mechanism
No mechanical force must be exerted on the pressure relief mechanism.



Product characteristics

Number of inputs and outputs	Number of analog outputs: 1	
Measuring range	0...5000 psi	0...34500 kPa
Process connection	threaded connection 1/4" NPT external thread Internal thread:M5	

Application

Special feature	gold-plated contacts	
Application	for industrial applications	
Media	liquids and gases	
Conditionally suitable for	use in gases at pressures > 25 bar only on request	
Medium temperature [°C]	-25...90	
Min. burst pressure	17400 psi	120 MPa
Pressure rating	11600 psi	80 MPa
Type of pressure	relative pressure	

Electrical data

Operating voltage [V]	16...32 DC	
Current consumption [mA]	< 18	
Min. insulation resistance [MΩ]	100; (500 V DC)	
Protection class	III	
Reverse polarity protection	yes	

Inputs / outputs

Number of inputs and outputs	Number of analog outputs: 1
------------------------------	-----------------------------

Outputs

Total number of outputs	1
-------------------------	---

PX9110



Pressure transmitter with ceramic measuring cell

PA-500PSBN14-B-DVG/US/ IV

Output signal	analog signal
Number of analog outputs	1
Analog voltage output [V]	0...10
Min. load resistance [Ω]	2000
Overload protection	yes

Measuring/setting range

Measuring range	0...5000 psi	0...34500 kPa
-----------------	--------------	---------------

Accuracy / deviations

Repeatability [% of the span]	< 0,15; (with temperature fluctuations < 10 K)
Characteristics deviation [% of the span]	< $\pm 0,35$ (BFSL) / < $\pm 0,75$ (LS); (BFSL = Best Fit Straight Line; LS = limit value setting)
Long-term stability [% of the span]	< $\pm 0,05$; (per 6 months)
Temperature coefficient zero point [% of the span / 10 K]	0,3; (0...80 °C)
Temperature coefficient span [% of the span / 10 K]	0,4; (0...80 °C)

Reaction times

Step response time analog output [ms]	3
---------------------------------------	---

Operating conditions

Ambient temperature [°C]	-25...80
Storage temperature [°C]	-40...100
Protection	IP 68; IP 69K

Tests / approvals

EMC	EN 61000-4-2 ESD	4 kV CD / 8 kV AD
	EN 61000-4-3 HF radiated	30 V/m
	EN 61000-4-4 Burst	2 kV
	EN 61000-4-6 HF conducted	10 V
	radiation of interference	according to the automotive directive 2004/104/EC / CISPR 25
	noise immunity	according to the automotive directive 2004/104/EC / ISO 11452-2
	HF radiated	100 V/m
Shock resistance	DIN IEC 68-2-27	50 g (11 ms)
Vibration resistance	DIN IEC 68-2-6	20 g (10...2000 Hz)
MTTF [years]	531	
Pressure equipment directive	sound engineering practice; can be used for group 2 fluids; group 1 fluids on request	

Mechanical data

Weight [g]	207.5
Housing	tubular
Dimensions [mm]	$\varnothing 30$ / L = 79.5
Material	stainless steel (1.4404 / 316L); FKM; PA; EPDM/X
Materials (wetted parts)	stainless steel (1.4305 / 303); ceramics; FKM

PX9110



Pressure transmitter with ceramic measuring cell

PA-500PSBN14-B-DVG/US/ IV

Min. pressure cycles	100 million
Process connection	threaded connection 1/4" NPT external thread Internal thread:M5
Restrictor element integrated	yes

Remarks

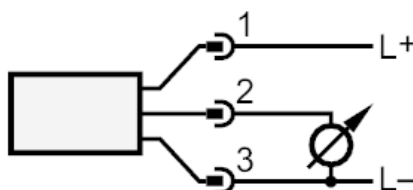
Pack quantity	1 pcs.
---------------	--------

Electrical connection

Connector: 1 x M12; coding: A; Contacts: gold-plated



Connection

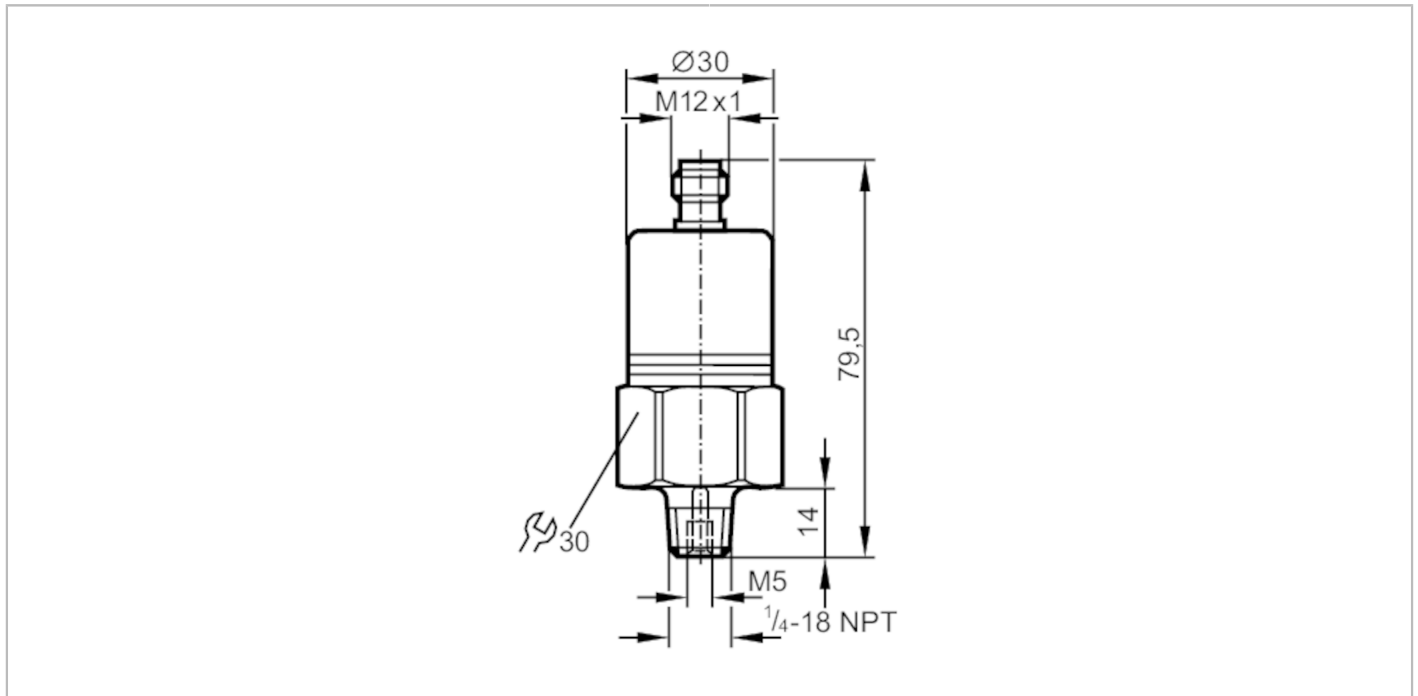


PX9111



Pressure transmitter with ceramic measuring cell

PA-300PSBN14-B-DVG/US/ IV



Product characteristics

Number of inputs and outputs	Number of analog outputs: 1	
Measuring range	0...3000 psi	0...20700 kPa
Process connection	threaded connection 1/4" NPT external thread Internal thread:M5	

Application

Special feature	gold-plated contacts	
Application	for industrial applications	
Media	liquids and gases	
Conditionally suitable for	use in gases at pressures > 25 bar only on request	
Medium temperature [°C]	-25...90	
Min. burst pressure	12300 psi	84.8 MPa
Pressure rating	5800 psi	40 MPa
Type of pressure	relative pressure	

Electrical data

Operating voltage [V]	16...32 DC	
Current consumption [mA]	< 18	
Min. insulation resistance [MΩ]	100; (500 V DC)	
Protection class	III	
Reverse polarity protection	yes	

Inputs / outputs

Number of inputs and outputs	Number of analog outputs: 1	
------------------------------	-----------------------------	--

Outputs

Total number of outputs	1	
Output signal	analog signal	

PX9111



Pressure transmitter with ceramic measuring cell

PA-300PSBN14-B-DVG/US/ IV

Number of analog outputs		1
Analog voltage output [V]		0...10
Min. load resistance [Ω]		2000
Overload protection		yes

Measuring/setting range

Measuring range	0...3000 psi	0...20700 kPa
-----------------	--------------	---------------

Accuracy / deviations

Repeatability [% of the span]	< 0,15; (with temperature fluctuations < 10 K)	
Characteristics deviation [% of the span]	< $\pm 0,35$ (BFSL) / < $\pm 0,75$ (LS); (BFSL = Best Fit Straight Line; LS = limit value setting)	
Long-term stability [% of the span]	< $\pm 0,05$; (per 6 months)	
Temperature coefficient zero point [% of the span / 10 K]	0,2; (0...80 °C)	
Temperature coefficient span [% of the span / 10 K]	0,3; (0...80 °C)	

Reaction times

Step response time analog output [ms]	3
---------------------------------------	---

Operating conditions

Ambient temperature [°C]	-25...80
Storage temperature [°C]	-40...100
Protection	IP 68; IP 69K

Tests / approvals

EMC	EN 61000-4-2 ESD	4 kV CD / 8 kV AD
	EN 61000-4-3 HF radiated	30 V/m
	EN 61000-4-4 Burst	2 kV
	EN 61000-4-6 HF conducted	10 V
	radiation of interference	according to the automotive directive 2004/104/EC / CISPR 25
	noise immunity	according to the automotive directive 2004/104/EC / ISO 11452-2
	HF radiated	100 V/m
pulse resistance	ISO 7637-2 / severity level 3	
Shock resistance	DIN IEC 68-2-27	50 g (11 ms)
Vibration resistance	DIN IEC 68-2-6	20 g (10...2000 Hz)
MTTF [years]	550	
Pressure equipment directive	sound engineering practice; can be used for group 2 fluids; group 1 fluids on request	

Mechanical data

Weight [g]	214
Housing	tubular
Dimensions [mm]	$\varnothing 30$ / L = 79,5
Material	stainless steel (1.4404 / 316L); FKM; PA; EPDM/X
Materials (wetted parts)	stainless steel (1.4305 / 303); ceramics; FKM
Min. pressure cycles	100 million

PX9111



Pressure transmitter with ceramic measuring cell

PA-300PSBN14-B-DVG/US/ IV

Process connection	threaded connection 1/4" NPT external thread Internal thread:M5
Restrictor element integrated	no (can be retrofitted)

Remarks

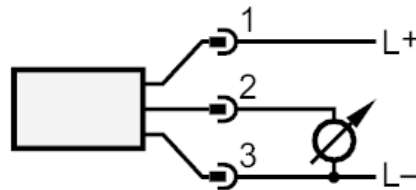
Pack quantity	1 pcs.
---------------	--------

Electrical connection

Connector: 1 x M12; coding: A; Contacts: gold-plated



Connection

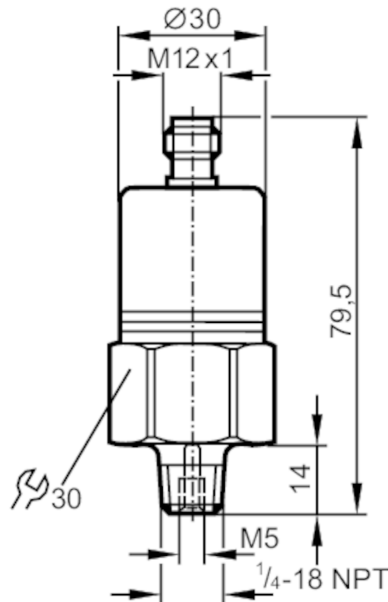


PX9112



Pressure transmitter with ceramic measuring cell

PA-100PSBN14-B-DVG/US/ IV



Product characteristics

Number of inputs and outputs	Number of analog outputs: 1	
Measuring range	0...1000 psi	0...6900 kPa
Process connection	threaded connection 1/4" NPT external thread Internal thread:M5	

Application

Special feature	gold-plated contacts	
Application	for industrial applications	
Media	liquids and gases	
Conditionally suitable for	use in gases at pressures > 25 bar only on request	
Medium temperature [°C]	-25...90	
Min. burst pressure	9400 psi	65 MPa
Pressure rating	4350 psi	30 MPa
Type of pressure	relative pressure	

Electrical data

Operating voltage [V]	16...32 DC	
Current consumption [mA]	< 18	
Min. insulation resistance [MΩ]	100; (500 V DC)	
Protection class	III	
Reverse polarity protection	yes	

Inputs / outputs

Number of inputs and outputs	Number of analog outputs: 1	
------------------------------	-----------------------------	--

Outputs

Total number of outputs	1	
Output signal	analog signal	

PX9112



Pressure transmitter with ceramic measuring cell

PA-100PSBN14-B-DVG/US/ IV

Number of analog outputs		1
Analog voltage output [V]		0...10
Min. load resistance [Ω]		2000
Overload protection		yes
Measuring/setting range		
Measuring range	0...1000 psi	0...6900 kPa
Accuracy / deviations		
Repeatability [% of the span]	< 0,15; (with temperature fluctuations < 10 K)	
Characteristics deviation [% of the span]	< $\pm 0,35$ (BFSL) / < $\pm 0,75$ (LS); (BFSL = Best Fit Straight Line; LS = limit value setting)	
Long-term stability [% of the span]	< $\pm 0,05$; (per 6 months)	
Temperature coefficient zero point [% of the span / 10 K]	0,2; (0...80 °C)	
Temperature coefficient span [% of the span / 10 K]	0,3; (0...80 °C)	
Reaction times		
Step response time analog output [ms]		3
Operating conditions		
Ambient temperature [°C]		-25...80
Storage temperature [°C]		-40...100
Protection		IP 68; IP 69K
Tests / approvals		
EMC	EN 61000-4-2 ESD	4 kV CD / 8 kV AD
	EN 61000-4-3 HF radiated	30 V/m
	EN 61000-4-4 Burst	2 kV
	EN 61000-4-6 HF conducted	10 V
	radiation of interference	according to the automotive directive 2004/104/EC / CISPR 25
	noise immunity	according to the automotive directive 2004/104/EC / ISO 11452-2
	HF radiated	100 V/m
pulse resistance	ISO 7637-2 / severity level 3	
Shock resistance	DIN IEC 68-2-27	50 g (11 ms)
Vibration resistance	DIN IEC 68-2-6	20 g (10...2000 Hz)
MTTF [years]		550
Pressure equipment directive	sound engineering practice; can be used for group 2 fluids; group 1 fluids on request	
Mechanical data		
Weight [g]		213
Housing		tubular
Dimensions [mm]		$\varnothing 30$ / L = 79.5
Material	stainless steel (1.4404 / 316L); FKM; PA; EPDM/X	
Materials (wetted parts)	stainless steel (1.4305 / 303); ceramics; FKM	
Min. pressure cycles		100 million

PX9112



Pressure transmitter with ceramic measuring cell

PA-100PSBN14-B-DVG/US/ IV

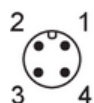
Process connection	threaded connection 1/4" NPT external thread Internal thread:M5
Restrictor element integrated	no (can be retrofitted)

Remarks

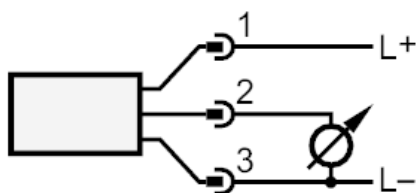
Pack quantity	1 pcs.
---------------	--------

Electrical connection

Connector: 1 x M12; coding: A; Contacts: gold-plated



Connection

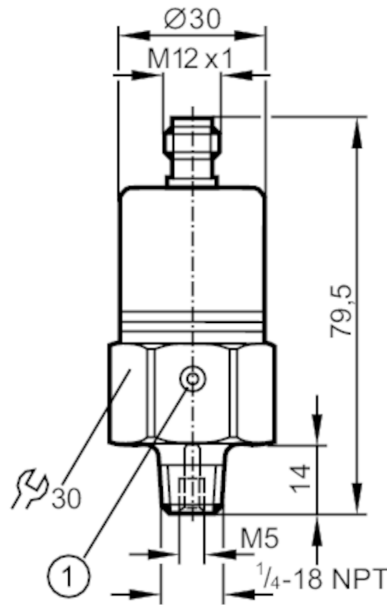


PX9114



Pressure transmitter with ceramic measuring cell

PA-010PRBN14-B-DVG/US/ IV



1 ventilation



Product characteristics

Number of inputs and outputs	Number of analog outputs: 1	
Measuring range	0...100 psi	0...690 kPa
Process connection	threaded connection 1/4" NPT external thread Internal thread:M5	

Application

Special feature	gold-plated contacts	
Application	for industrial applications	
Media	liquids and gases	
Medium temperature [°C]	-25...90	
Min. burst pressure	2175 psi	15 MPa
Pressure rating	1087 psi	7.5 MPa
Type of pressure	relative pressure	

Electrical data

Operating voltage [V]	16...32 DC	
Current consumption [mA]	< 18	
Min. insulation resistance [MΩ]	100; (500 V DC)	
Protection class	III	
Reverse polarity protection	yes	

Inputs / outputs

Number of inputs and outputs	Number of analog outputs: 1	
------------------------------	-----------------------------	--

Outputs

Total number of outputs	1	
Output signal	analog signal	
Number of analog outputs	1	

PX9114



Pressure transmitter with ceramic measuring cell

PA-010PRBN14-B-DVG/US/ IV

Analog voltage output	[V]	0...10
Min. load resistance	[Ω]	2000
Overload protection		yes

Measuring/setting range

Measuring range	0...100 psi	0...690 kPa
-----------------	-------------	-------------

Accuracy / deviations

Repeatability	[% of the span]	< 0,15; (with temperature fluctuations < 10 K)
Characteristics deviation	[% of the span]	< ± 0,35 (BFSL) / < ± 0,75 (LS); (BFSL = Best Fit Straight Line; LS = limit value setting)
Long-term stability	[% of the span]	< ± 0,05; (per 6 months)
Temperature coefficient zero point	[% of the span / 10 K]	0,2; (0...80 °C)
Temperature coefficient span	[% of the span / 10 K]	0,3; (0...80 °C)

Reaction times

Step response time analog output	[ms]	3
----------------------------------	------	---

Operating conditions

Ambient temperature	[°C]	-25...80
Storage temperature	[°C]	-40...100
Protection		IP 65

Tests / approvals

EMC	EN 61000-4-2 ESD	4 kV CD / 8 kV AD
	EN 61000-4-3 HF radiated	30 V/m
	EN 61000-4-4 Burst	2 kV
	EN 61000-4-6 HF conducted	10 V
	radiation of interference	according to the automotive directive 2004/104/EC / CISPR 25
	noise immunity	according to the automotive directive 2004/104/EC / ISO 11452-2
	HF radiated	100 V/m
	pulse resistance	ISO 7637-2 / severity level 3
Shock resistance	DIN IEC 68-2-27	50 g (11 ms)
Vibration resistance	DIN IEC 68-2-6	20 g (10...2000 Hz)
MTTF	[years]	531
Pressure equipment directive		sound engineering practice; can be used for group 2 fluids; group 1 fluids on request

Mechanical data

Weight	[g]	212
Housing		tubular
Dimensions	[mm]	Ø 30 / L = 79.5
Material		stainless steel (1.4404 / 316L); FKM; PA; EPDM/X
Materials (wetted parts)		stainless steel (1.4305 / 303); ceramics; FKM
Min. pressure cycles		100 million
Process connection		threaded connection 1/4" NPT external thread Internal thread:M5

PX9114



Pressure transmitter with ceramic measuring cell

PA-010PRBN14-B-DVG/US/ IV

Restrictor element integrated

no (can be retrofitted)

Remarks

Pack quantity

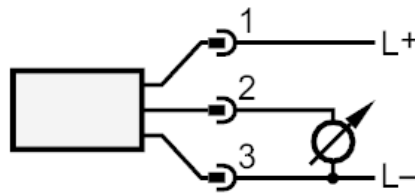
1 pcs.

Electrical connection

Connector: 1 x M12; coding: A; Contacts: gold-plated



Connection

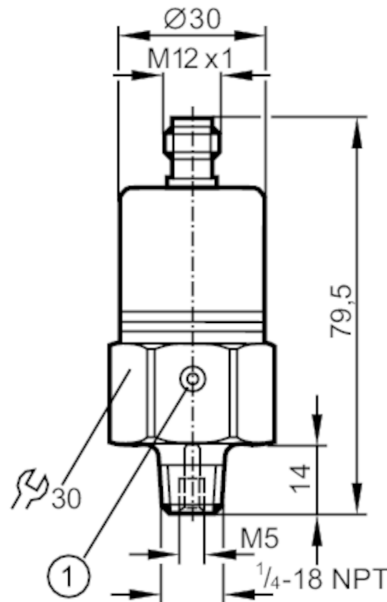


PX9117



Pressure transmitter with ceramic measuring cell

PA-001PRBN14-B-DVG/US/ IV



1 ventilation



Product characteristics

Number of inputs and outputs	Number of analog outputs: 1	
Measuring range	0...15 psi	0...103 kPa
Process connection	threaded connection 1/4" NPT external thread Internal thread:M5	

Application

Special feature	gold-plated contacts	
Application	for industrial applications	
Media	liquids and gases	
Medium temperature [°C]	-25...90	
Min. burst pressure	450 psi	3.1 MPa
Pressure rating	145 psi	1 MPa
Type of pressure	relative pressure	

Electrical data

Operating voltage [V]	16...32 DC	
Current consumption [mA]	< 18	
Min. insulation resistance [MΩ]	100; (500 V DC)	
Protection class	III	
Reverse polarity protection	yes	

Inputs / outputs

Number of inputs and outputs	Number of analog outputs: 1	
------------------------------	-----------------------------	--

Outputs

Total number of outputs	1	
Output signal	analog signal	
Number of analog outputs	1	

PX9117



Pressure transmitter with ceramic measuring cell

PA-001PRBN14-B-DVG/US/ IV

Analog voltage output	[V]	0...10
Min. load resistance	[Ω]	2000
Overload protection		yes

Measuring/setting range

Measuring range	0...15 psi	0...103 kPa
-----------------	------------	-------------

Accuracy / deviations

Repeatability	[% of the span]	< 0,1; (with temperature fluctuations < 10 K)
Characteristics deviation	[% of the span]	< ± 0,25 (BFSL) / < ± 0,5 (LS); (BFSL = Best Fit Straight Line; LS = limit value setting)
Long-term stability	[% of the span]	< ± 0,05; (per 6 months)
Temperature coefficient zero point	[% of the span / 10 K]	0,15; (0...80 °C)
Temperature coefficient span	[% of the span / 10 K]	0,2; (0...80 °C)

Reaction times

Step response time analog output	[ms]	3
----------------------------------	------	---

Operating conditions

Ambient temperature	[°C]	-25...80
Storage temperature	[°C]	-40...100
Protection		IP 65

Tests / approvals

EMC	EN 61000-4-2 ESD	4 kV CD / 8 kV AD
	EN 61000-4-3 HF radiated	30 V/m
	EN 61000-4-4 Burst	2 kV
	EN 61000-4-6 HF conducted	10 V
	radiation of interference	according to the automotive directive 2004/104/EC / CISPR 25
	noise immunity	according to the automotive directive 2004/104/EC / ISO 11452-2
	HF radiated	100 V/m
	pulse resistance	ISO 7637-2 / severity level 3
Shock resistance	DIN IEC 68-2-27	50 g (11 ms)
Vibration resistance	DIN IEC 68-2-6	20 g (10...2000 Hz)
MTTF	[years]	550
Pressure equipment directive		sound engineering practice; can be used for group 2 fluids; group 1 fluids on request

Mechanical data

Weight	[g]	211.5
Housing		tubular
Dimensions	[mm]	Ø 30 / L = 79.5
Material		stainless steel (1.4404 / 316L); FKM; PA; EPDM/X
Materials (wetted parts)		stainless steel (1.4305 / 303); ceramics; FKM
Min. pressure cycles		100 million
Process connection		threaded connection 1/4" NPT external thread Internal thread:M5

PX9117



Pressure transmitter with ceramic measuring cell

PA-001PRBN14-B-DVG/US/ IV

Restrictor element integrated

no (can be retrofitted)

Remarks

Pack quantity

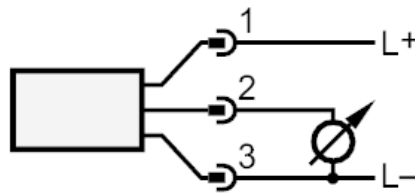
1 pcs.

Electrical connection

Connector: 1 x M12; coding: A; Contacts: gold-plated



Connection

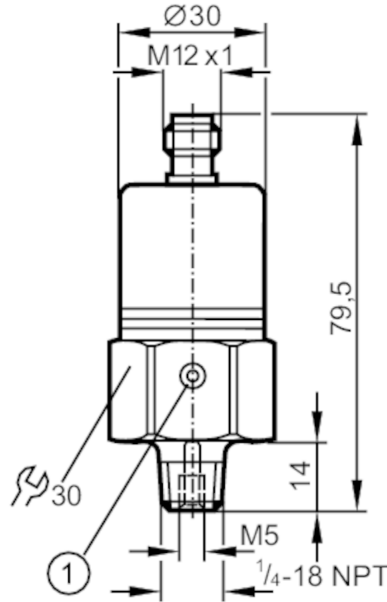


PX9134



Pressure transmitter with ceramic measuring cell

PA-020PRBN14-B-DVG/US/ IV



1 ventilation



Product characteristics

Number of inputs and outputs	Number of analog outputs: 1	
Measuring range	0...200 psi	0...1380 kPa
Process connection	threaded connection 1/4" NPT external thread Internal thread:M5	

Application

Special feature	gold-plated contacts	
Application	for industrial applications	
Media	liquids and gases	
Medium temperature [°C]	-25...90	
Min. burst pressure	2175 psi	15 MPa
Pressure rating	1087 psi	7.5 MPa
Type of pressure	relative pressure	

Electrical data

Operating voltage [V]	16...32 DC	
Current consumption [mA]	< 18	
Min. insulation resistance [MΩ]	100; (500 V DC)	
Protection class	III	
Reverse polarity protection	yes	

Inputs / outputs

Number of inputs and outputs	Number of analog outputs: 1	
------------------------------	-----------------------------	--

Outputs

Total number of outputs	1	
Output signal	analog signal	
Number of analog outputs	1	

PX9134



Pressure transmitter with ceramic measuring cell

PA-020PRBN14-B-DVG/US/ IV

Analog voltage output	[V]	0...10
Min. load resistance	[Ω]	2000
Overload protection		yes

Measuring/setting range

Measuring range	0...200 psi	0...1380 kPa
-----------------	-------------	--------------

Accuracy / deviations

Repeatability	[% of the span]	< 0,1; (with temperature fluctuations < 10 K)
Characteristics deviation	[% of the span]	< ± 0,35 (BFSL) / < ± 0,75 (LS); (BFSL = Best Fit Straight Line; LS = limit value setting)
Long-term stability	[% of the span]	< ± 0,05; (per 6 months)
Temperature coefficient zero point	[% of the span / 10 K]	0,15; (0...80 °C)
Temperature coefficient span	[% of the span / 10 K]	0,2; (0...80 °C)

Reaction times

Step response time analog output	[ms]	3
----------------------------------	------	---

Operating conditions

Ambient temperature	[°C]	-25...80
Storage temperature	[°C]	-40...100
Protection		IP 65

Tests / approvals

EMC	EN 61000-4-2 ESD	4 kV CD / 8 kV AD
	EN 61000-4-3 HF radiated	30 V/m
	EN 61000-4-4 Burst	2 kV
	EN 61000-4-6 HF conducted	10 V
	radiation of interference	according to the automotive directive 2004/104/EC / CISPR 25
	noise immunity	according to the automotive directive 2004/104/EC / ISO 11452-2
	HF radiated	100 V/m
	pulse resistance	ISO 7637-2 / severity level 3
Shock resistance	DIN IEC 68-2-27	50 g (11 ms)
Vibration resistance	DIN IEC 68-2-6	20 g (10...2000 Hz)
MTTF	[years]	550
Pressure equipment directive		sound engineering practice; can be used for group 2 fluids; group 1 fluids on request

Mechanical data

Weight	[g]	212.5
Housing		tubular
Dimensions	[mm]	Ø 30 / L = 79.5
Material		stainless steel (1.4404 / 316L); FKM; PA; EPDM/X
Materials (wetted parts)		stainless steel (1.4305 / 303); ceramics; FKM
Min. pressure cycles		100 million
Process connection		threaded connection 1/4" NPT external thread Internal thread:M5

PX9134



Pressure transmitter with ceramic measuring cell

PA-020PRBN14-B-DVG/US/ IV

Restrictor element integrated

no (can be retrofitted)

Remarks

Pack quantity

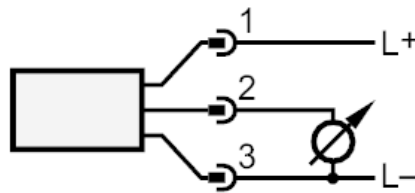
1 pcs.

Electrical connection

Connector: 1 x M12; coding: A; Contacts: gold-plated



Connection

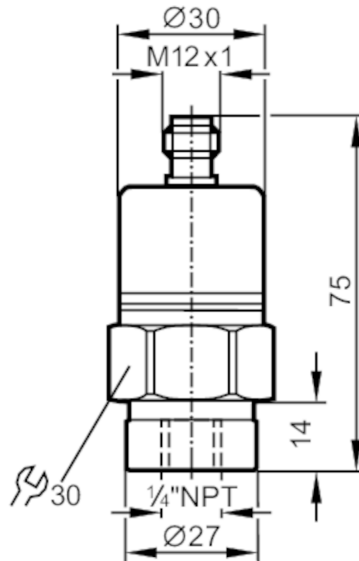


PX9227



Pressure transmitter with ceramic measuring cell

PA-001PRBN14-C-DVG/US/ IV



Product characteristics

Number of inputs and outputs	Number of analog outputs: 1	
Measuring range	0...15 psi	0...103 kPa
Process connection	threaded connection 1/4" NPT Internal thread	

Application

Special feature	gold-plated contacts	
Application	for industrial applications	
Media	liquids and gases	
Medium temperature [°C]	-25...90	
Min. burst pressure	450 psi	3.1 MPa
Pressure rating	145 psi	1 MPa
Type of pressure	relative pressure	

Electrical data

Operating voltage [V]	10...30 DC	
Current consumption [mA]	< 18	
Min. insulation resistance [MΩ]	100; (500 V DC)	
Protection class	III	
Reverse polarity protection	yes	

Inputs / outputs

Number of inputs and outputs	Number of analog outputs: 1	
------------------------------	-----------------------------	--

Outputs

Total number of outputs	1	
Output signal	analog signal	
Number of analog outputs	1	

PX9227



Pressure transmitter with ceramic measuring cell

PA-001PRBN14-C-DVG/US/ IV

Analog voltage output	[V]	1...5
Min. load resistance	[Ω]	2000
Overload protection		yes

Measuring/setting range

Measuring range	0...15 psi	0...103 kPa
-----------------	------------	-------------

Accuracy / deviations

Repeatability	[% of the span]	< 0,1; (with temperature fluctuations < 10 K)
Characteristics deviation	[% of the span]	< ± 0,25 (BFSL) / < ± 0,5 (LS); (BFSL = Best Fit Straight Line; LS = limit value setting)
Long-term stability	[% of the span]	< ± 0,05; (per 6 months)
Temperature coefficient zero point	[% of the span / 10 K]	0,1; (0...80 °C)
Temperature coefficient span	[% of the span / 10 K]	0,2; (0...80 °C)

Reaction times

Step response time analog output	[ms]	3
----------------------------------	------	---

Operating conditions

Ambient temperature	[°C]	-25...80
Storage temperature	[°C]	-40...100
Protection		IP 65

Tests / approvals

EMC	EN 61000-4-2 ESD	4 kV CD / 8 kV AD
	EN 61000-4-3 HF radiated	30 V/m
	EN 61000-4-4 Burst	2 kV
	EN 61000-4-6 HF conducted radiation of interference	10 V according to the automotive directive 2004/104/EC / CISPR 25
	noise immunity	according to the automotive directive 2004/104/EC / ISO 11452-2
	HF radiated	100 V/m
	pulse resistance	ISO 7637-2 / severity level 3
	Shock resistance	DIN IEC 68-2-27
Vibration resistance	DIN IEC 68-2-6	20 g (10...2000 Hz)
MTTF	[years]	550
Pressure equipment directive		sound engineering practice; can be used for group 2 fluids; group 1 fluids on request

Mechanical data

Weight	[g]	222
Housing		tubular
Dimensions	[mm]	Ø 30 / L = 75
Material		stainless steel (1.4404 / 316L); FKM; PA; EPDM/X
Materials (wetted parts)		stainless steel (1.4305 / 303); ceramics; FKM
Min. pressure cycles		100 million
Process connection		threaded connection 1/4" NPT Internal thread

PX9227



Pressure transmitter with ceramic measuring cell

PA-001PRBN14-C-DVG/US/ IV

Restrictor element integrated

no (can be retrofitted)

Remarks

Pack quantity

1 pcs.

Electrical connection

Connector: 1 x M12; coding: A; Contacts: gold-plated



Connection

