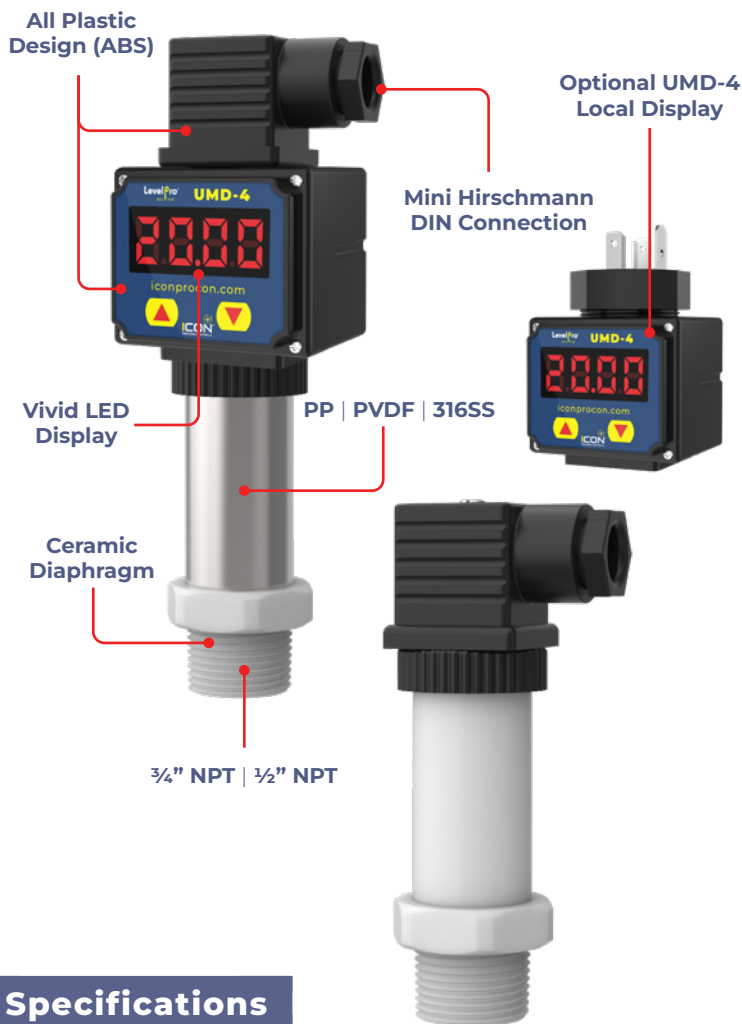


LP200 Series

Pressure Transmitter | Switch

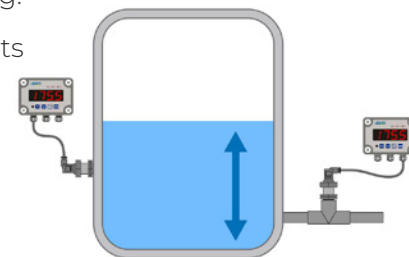


Features

- ✓ PP | PVDF | 316SS Body
- ✓ 0 – 300 Psi Ranges Available (+Vacuum)
- ✓ 4-20mA Output | 2 Wire Loop Powered
- ✓ Ceramic Sensing Diaphragm
- ✓ 0.5% F.S | High Accuracy
- ✓ 3/4" NPT | 1/2" NPT Connection
- ✓ No Programming Required
- ✓ Temperature Compensated
- ✓ Excellent Chemical Resistance

The **LP200 Pressure Transmitter** was designed to measure pressure or level within industry's most demanding corrosive process applications. When measuring pressure, it can be mounted vertically or horizontally, and can easily be installed into a threaded process pipe tee fitting.

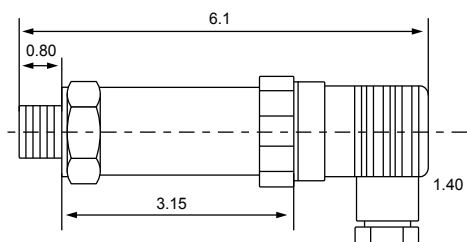
The LP200 implements a state of the art ceramic measuring principle that changes the physical pressure (which equates to no more than a few microns), into a linear electronic signal that can be measured. This minimal deformation applies negligible material strain on the ceramic electronic pressure-sensing diaphragm, resulting in high resistance to alternating loads and long-term durability. Perfect for tough industrial applications.



Specifications

Range	0-300psi
Medium	H ₂ O Corrosive Liquid Gases
Accuracy	0.5% F.S
Power Supply	18 - 36VDC
Output Signal	4-20mA 2 Wire 3 Wire
Medium Temperature	-31 – 185°F -35 – 85°C
Environment Temperature	-40 – 176°F -40 – 80°C
Store Temperature	-40 – 176°F -40 – 80°C
Temperature Effect	±0.02% FS
Pressure Connection	3/4" NPT 1/2" NPT
Electrical Connection	Hirschmann DIN

Dimensions



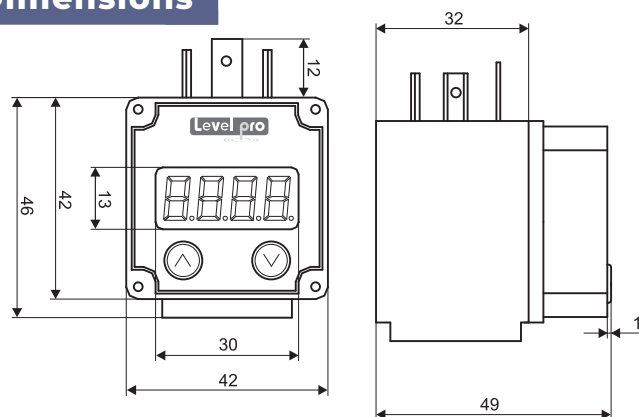
Optional UMD-4 Local Display



Features

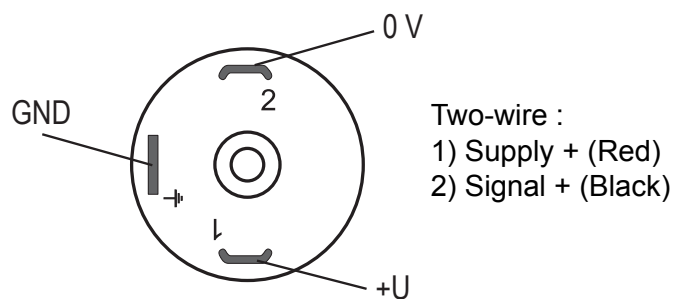
- ✓ Local Display of Measured Value
- ✓ Direct Mounting
- ✓ 4-digit Bright LED
- ✓ Easy 2 Button Programming
- ✓ Relay Output
- ✓ Powered from Current Loop / 4-20mA

Dimensions



Electrical Connection

Positive pole (+ U) is connected to pin No. 1, negative pole (0 V) is connected to pin No. 2. The plug-on display is powered by the current 4-20mA loop, no additional auxiliary power is required.



Specifications

Input Signal	4-20mA
Voltage drop	< 2.5 V
Accuracy	0.1 % ± 1 digit
Display	4 digit LED Height of Digit 7mm
Output Signal	4-20mA 2 Wire 3 Wire
Ambient Temperature	-4 – 158°F -20 – 70°C
Storage Temperature	-40 – 176°F -30 – 85°C
Connection	Connector acc. to DIN 43 650
Housing	Plastic ABS
Protection class	NEMA 4X IP65
Dimension	42 x 46 x 49 mm
Weight	approx. 80g

Model Selection

LP2 - PP - - ← Leave blank if no LED display required
L: LED Display

Line Size	Material	Max. Pressure
5: ½"	PP: PP	0Psi - ???Psi
0: ¾"	PF: PVDF	
	SS: 316 SS	