

Greyline

PSL 5.0

Technical Specifications:

Designed for pump stations, wet wells and tank level control the new – Greyline PSL 5.0 Pump Station Level Controller has six independently programmable control relays for pump or valve control, level alarms, autodialers, temperature or fault alarms.



GENERAL SPECIFICATIONS

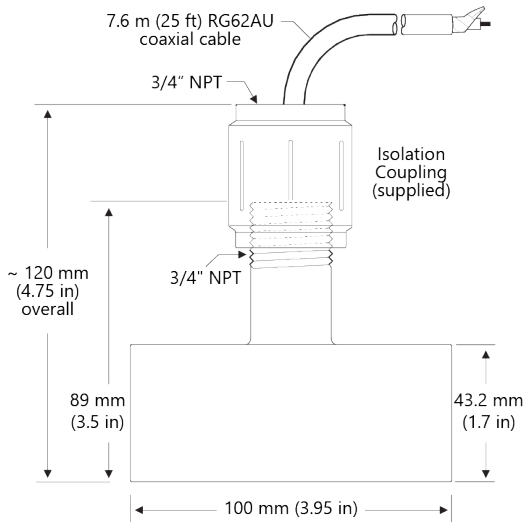
Accuracy:	±0.25% of Range or 2 mm (0.08 in), whichever is greater
Electronics Enclosure:	NEMA4X (IP66) polycarbonate with clear, shatterproof cover
Operating Temp. (Electronics):	-20 °C to +60 °C (-5 °F to +140 °F)
Power Input:	100-240 V AC 50-60 Hz (see Options), 2.4-5.6 W depending on options
Analog Output:	Isolated 4-20mA (1 kΩ)
Control Relays:	6 form 'C' dry contact Relays rated 5 A SPDT; programmable level alarm and/or pump control modes, pump alternation / sequencing, failsafe / echo-loss, air temperature alarm
Display:	White, backlit matrix - displays calibration menu, relay status, runtime reports and sensor status
Calibration:	Level or Range mode in selectable units
Programming:	Built-in, 5-button keypad, password-protected
Approximate Shipping Weight:	5 kg (11 lb)

TRANSDUCER SPECIFICATIONS

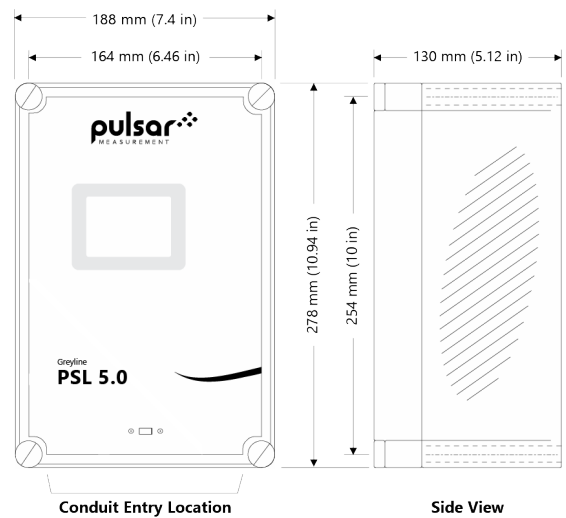
Standard Sensor:	PZ34 ultrasonic sensor
Maximum Range:	9.8 m (32 ft), optional sensors for longer ranges
Deadband (Blanking):	Programmable, minimum 406.4 mm (16 in)
Beam Angle:	8° - Install 304.8 mm (12 in) from tank sidewall for every 3 m (10 ft) depth
Operating Frequency:	42 kHz
Exposed Materials:	PVC
Operating Temperature:	-40 °C to 65 °C (-40 °F to 150 °F)
Operating Pressure:	0 bar to 1.4 bar (0 psi to 20 psi) maximum
Sensor Cable:	RG62AU coaxial, 7.6 m (25 ft) standard length (See Options)

POPULAR OPTIONS

Sensors:	Long and short-range models / all Teflon construction / Intrinsically safe / Pressure
Sensor Cable:	15.2 m (50 ft) or 30.5 m (100 ft) RG62AU coaxial continuous from ultrasonic sensor, or splice up to 152.4 m (500 ft)
Sensor Cable Junction Box:	Watertight NEMA4 steel with connection terminal strip
Power Input:	9-32 V DC, 2.1-4.95 W depending on options
Data Logger:	20 million point data logger with output to USB flash drive. Windows software.
Enclosure Heater:	Thermostatically controlled - recommended for temperatures below 0 °C (32 °F)
Enclosure Panel Mount:	Flange and bracket assembly mounts enclosure in panel face
Hazardous Locations:	Intrinsic Safety Barrier for ultrasonic Sensor mounting in hazardous areas. NEMA7 explosion-proof enclosure for electronics mounting in hazardous locations.



PZ34 ultrasonic sensor



PSL 5.0 enclosure dimensions



INFO@PULSARMEASUREMENT.COM

Pulsar Measurement is a trading name of Pulsar Process Measurement, Ltd.

Copyright © 2021 Pulsar Measurement
Registered Address: 1 Chamberlain Square CS, Birmingham B3 3AX
Registered No.: 3345604 England & Wales

Delivering the Measure of Possibility

United States
+1 888-473-9546

Asia
+60 102 591 332

Canada
+1 855-300-9151

Oceania
+61 428 692 274

United Kingdom
+44 (0) 1684 891371

pulsarmeasurement.com

Rev 7.0