

**2052R/2062R**  
Wire Tracer Receiver  
**2000T**  
Wire Tracer Transmitter

⚠ ⚠ ⓘ www.fluke.com



**2000T**

**1**

**GFI X**

**GFI**

**GFI**

---

**RCD X**

**RCD**

**2**

HIGH	< 1 s	HIGH
HIGH	> 2 s	↻
LOW	< 1 s	LOW

**2052R**

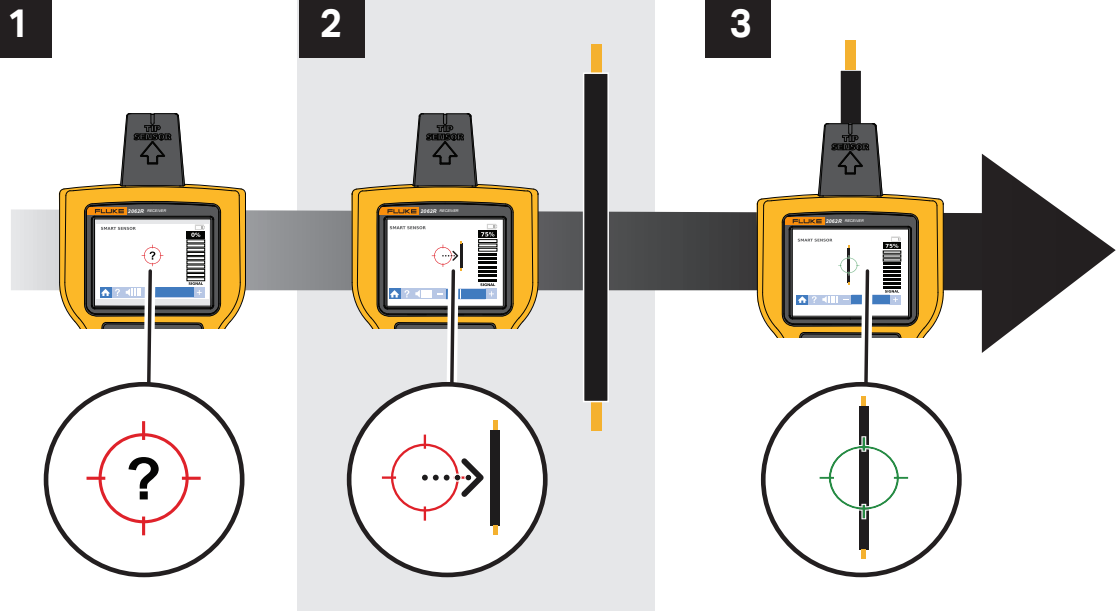
MODE	
0X	➡➡
1X	↻
2X	⚡
3X	⚡

**2062R**

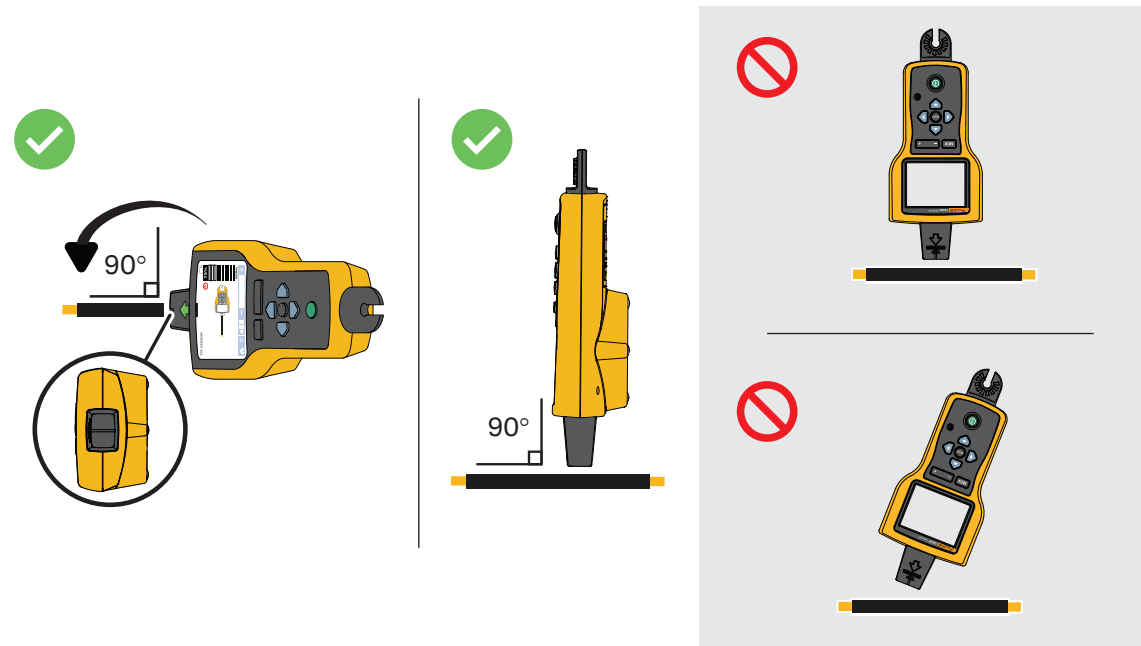
SELECT	SMART SENSOR
1X > SELECT	TIP SENSOR
2X > SELECT	BREAKER
NCV	NON-CONTACT VOLTAGE

3X > SELECT	⚙
3X > 1X > SELECT	?
3X > 2X > SELECT	🔊

# SMART SENSOR™ (2062R)



# (2052R) / TIP SENSOR (2062R)



# (2052R) / BREAKER (2062R)

