



—
your partner
in sensor
technology.



Datasheet EE364

Moisture in Oil Sensor



EE364

Moisture in Oil Sensor

The compact moisture in oil sensor is designed for reliable online monitoring of the moisture in transformer, engine, lubrication or hydraulic oil as well as in diesel fuel. Besides the accurate measurement of water activity (aw) and temperature (T), the EE364 calculates the absolute water content (x) of the oil in ppm.

Outstanding Measurement Performance

The sensor employs high end E+E humidity sensing elements which feature outstanding long term stability and high resistance to pollution.

Functional Design

The small size and robust stainless steel enclosure, together with the choice of process connections allow easy and space-saving installation.

Analogue and Digital Outputs

The aw , T and x measured data is available on two freely configurable 4 - 20 mA analogue outputs and on the RS485 interface with Modbus RTU protocol. The wide scaling range of the analogue output facilitates the EE364 implementation in existing monitoring and control systems.

Configurable and Adjustable

The setup and adjustment of the EE364 can be easily performed with an optional configuration adapter and the free EE-PCS Product Configuration Software.



EE364 with G 1/2" ISO thread



EE364 with 1/2" NPT thread

Features

Outputs

- 2 x 4 - 20 mA output, wide scaling range
- Modbus RTU
- Industrial M12x1 connector

Configurable and adjustable

- Service interface
- Free configuration software

Measurement performance

- Water activity (aw), water content (x), temperature (T)
- Oil temperature -40...+100 °C (-40...+212 °F)
- Suitable for transformer, lubrication and hydraulic oil, as well as for diesel fuel



Mechanical construction

- Stainless steel enclosure and filter cap
- Pressure tight up to 20 bar (290 psi)
- Process connection with ISO or NPT thread
- IP65 / NEMA 4X

Inspection certificate

According to DIN EN 10204-3.1

Features

Measurement Water activity a_w /Water content x

The moisture in oil can be expressed in absolute or relative terms.

Water activity a_w is the relative measure for moisture in oil. It represents the ratio between the actual amount of dissolved water and the maximum possible amount of dissolved water in the oil at a certain temperature. The a_w value indicates the degree of saturation of the oil. $a_w = 0$ indicates completely dry oil, $a_w = 1$ indicates fully saturated oil. The water activity is independent of the type of oil and shows how close to saturation is the oil at any moment in time.

Water content x is an absolute measure for the amount of water in the oil (dissolved, emulsified or separated). The water content is usually expressed in ppm or mg water/kg oil and it is independent from the oil temperature. For assessing the degree of saturation, x must be regarded together with T .

EE364 calculates x based on the measured a_w and T values. The calculation is oil dependent and requires a set of oil specific parameters. E+E offers the service of determining the oil specific parameters, see section "Accessories" below. The parameters can be set upon order or uploaded to EE364 using the EE-PCS Product Configuration Software (available at www.epluse.com/configurator).

Sensor Leads Protection

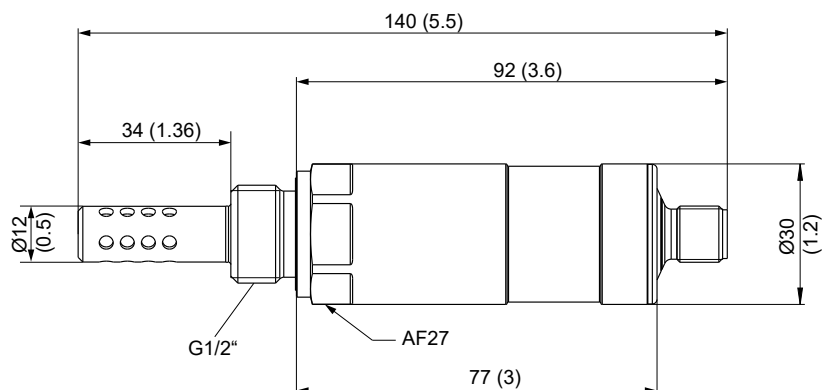
In certain applications, the oil can become corrosive over time, for example due to continuous contamination of lubricating oils by salt water in the maritime environment. In such demanding applications, the E+E proprietary protection of the sensing element leads can significantly extend the service life of the sensor.

Dimensions

Values in mm (inch)

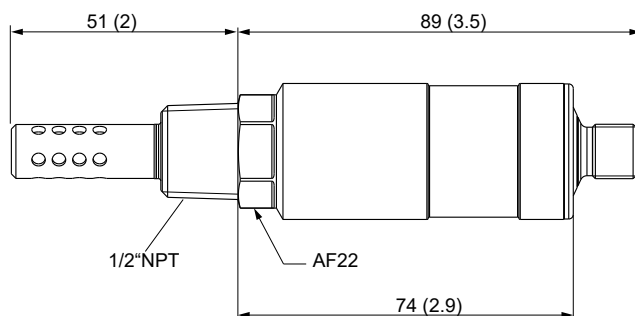
Thread

ISO



Thread

NPT



Technical Data

Measurands

Water Activity (aw) / Water Content (x)

| | |
|--|---|
| Measuring range | 0...1 aw 0...100 000 ppm; actual range depends on the oil type, for non-mineral transformer oil, specific solubility parameters are needed (ppm output is valid in the range 0...100 °C (32...212 °F)) |
| Accuracy¹⁾ @ 20 °C (68 °F) | (0...0.9 aw) ±0.02 aw (0.9...1 aw) ±0.03 aw |
| Response time t₉₀ , typ. @ 20 °C (68 °F) in still oil | 10 min. |

1) The accuracy statement includes the uncertainty of the factory calibration with an enhancement factor k=2 (2 x standard deviation). The accuracy was calculated in accordance with EA-4/02 and with regard to GUM (Guide to the Expression of Uncertainty in Measurement).

Technical Data

Measurands

Temperature (T)

| | |
|--|-------------------------------|
| Measuring range, max. | -40...+100 °C (-40...+212 °F) |
| Accuracy ¹⁾ @ 20 °C (68 °F) in oil | ±0.2 °C (±0.36 °F) |
| Resolution | 0.01 °C (0.18 °F) |

1) The accuracy statement includes the uncertainty of the factory calibration with an enhancement factor k=2 (2-times standard deviation).
The accuracy was calculated in accordance with EA-4/02 and with regard to GUM (Guide to the Expression of Uncertainty in Measurement).

Outputs

Analogue




| | | | | |
|----------------------|-----------------|--------|--------------------|--------------------------------|
| Two scalable outputs | 2x 4 - 20 mA | 3-wire | $R_L < 500 \Omega$ | $R_L = \text{load resistance}$ |
| Resolution | 2 μA | | | |

Digital

| | |
|------------------------------------|--|
| Digital interface | RS485 (EE364 = 1 unit load) |
| Protocol | Modbus RTU |
| Factory settings | 9600 Baud, parity even, 1 stop bit, Modbus address 243 |
| Supported Baud rates ¹⁾ | 9600, 19200 and 38400 |
| Measured data types | FLOAT32 |

1) Find more details about communication settings in the User Manual and the Modbus Application Note AN0103 at www.epluse.com/ee364.

General

| | | |
|--|---|--|
| Power supply class III  USA & Canada: Class 2 supply necessary | 10 ¹⁾ - 28V DC *) $10V + 0.02 \cdot R_L$ | $R_L = \text{load resistance}$ |
| Power consumption | <20 mA + load current | |
| Electrical connection | M12x1 plug 8 poles | |
| Filter | Material | Stainless steel 1.4404 (AISI 316L), perforated |
| Pressure working range | 0...20 bar (0...290 psi) | |
| Temperature working range | Storage | -40...+60 °C (-40...+140 °F) |
| | Ambience | -40...+60 °C (-40...+140 °F) / -40...+80 °C (-40...+176 °F) |
| | Oil | -40...+80 °C (-40...+176 °F) / -40...+100 °C (-40...+212 °F) |
| Enclosure | Material | Stainless steel 1.4404 (AISI 316L) |
| | Protection rating | IP65/NEMA 4X |
| Electromagnetic compatibility | EN 61326-1 FCC Part15 Class A | EN 61326-2-3 ICES-003 Class A Industrial environment |
| Conformity |   | |
| Configuration software | EE-PCS Product Configuration Software Free download from www.epluse.com/configurator . | |

Ordering Guide

Positon 1: Sensor

| | Feature | Description | Code |
|--|---------------------------------------|---|-----------------|
| Hardware Configuration | | | EE364- |
| | Process connection | G 1/2" ISO thread | PA1 |
| | | 1/2" NPT thread | PA2 |
| | Fluid temperature | -40...+100 °C (-40...+212 °F) | HM2 |
| | Sensing element protection | Without | No code |
| | | Sensor leads protection | C2 |
| | Filter | Stainless steel, for flow <1 m/s (<3.28 ft/s) | F13 |
| Stainless steel, for flow >1 m/s (>3.28 ft/s) | | F18 | |
| Accessories | Without | AC0 | |
| | M12x1 cable socket, for self assembly | AC2 | |
| Software Setup - Analogue Outputs | Output 1 measurand | Water activity aw [] | No code |
| | | Water content x [ppm] | MA70 |
| | | Temperature T [°C] | MA1 |
| | | Temperature T [°F] | MA2 |
| | Output 1 scaling low | 0 | No code |
| | | Value | SALValue |
| | Output 1 scaling high | 1 | No code |
| | | Value | SAHValue |
| | Output 2 measurand | Temperature T [°C] | No code |
| | | Temperature T [°F] | MB2 |
| | | Water activity aw [] | MB67 |
| | | Water content x [ppm] | MB70 |
| | Output 2 scaling low | -20 | No code |
| | | Value | SBLValue |
| | Output 2 scaling high | 80 | No code |
| | | Value | SBHValue |
| Units (Modbus RTU) | Metric (SI) | U1 | |
| | Non-metric (US/GB) | U2 | |
| Oil parameterization for water content calculation | Mineral transformer oil | No code | |
| | Customer specific oil | PPMxxx¹⁾ | |

1) Positon 2: Procedure for customer specific oil

| Option | Description | Code |
|---|--|-------------------|
| Oil number is known | Replace the xxx by the corresponding number | |
| Obtaining new oil parameters via oil analysis | Contact and provide E+E HQ the datasheet of the oil before sending us 2 litres of oil. After determination of the oil specific parameters, the corresponding oil number is available, insert this in place of the xxx. | Oil-ppmcal |
| Obtaining new oil parameters via saturation curve | Contact and provide E+E HQ the datasheet of the oil together with the saturation curve. After calculation of the oil specific parameters, the corresponding oil number is available, insert this in place of the xxx. | Oil-calc |

Order Example

Position 1: EE364-PA1HM2F13AC2U1

| Feature | Code | Description |
|--------------------|------|---|
| Process connection | PA1 | G 1/2" ISO thread |
| Fluid temperature | HM2 | -40...+100 °C (-40...+212 °F) |
| Filter | F13 | Stainless steel, for flow <1 m/s (<3.28 ft/s) |
| Accessory | AC2 | M12x1 cable socket, for self assembly |
| Units (Modbus RTU) | U1 | Metric (SI) |

Position 2: Oil-ppmcal

Contact and provide E+E HQ the datasheet of the oil before sending us 2 litres of oil.

Accessories

For further information see datasheet [Accessories](#).

| Description | Code |
|---|----------|
| Modbus configuration adapter | HA011013 |
| EE-PCS Product configuration software (Free download: www.epluse.com/configurator) | EE-PCS |
| M12x1 8 pole cable socket for self assembly | HA010704 |
| M12x1 8 pole shielded connection cable, socket/flying leads | |
| 1.5 m (4.9 ft) | HA010322 |
| 5 m (9.8 ft) | HA010324 |
| 10 m (16.4 ft) | HA010325 |
| Sampling cell with shut-off function, PN40, DN25 | HA050109 |



Company Headquarters &
Production Site

E+E Elektronik Ges.m.b.H.
Langwiesen 7
4209 Engerwitzdorf | Austria
T +43 7235 605-0
F +43 7235 605-8
info@epluse.com
www.epluse.com

Subsidiaries

E+E Sensor Technology (Shanghai) Co., Ltd.
T +86 21 6117 6129
info@epluse.cn

E+E Elektronik France SARL
T +33 4 74 72 35 82
info.fr@epluse.com

E+E Elektronik Deutschland GmbH
T +49 6171 69411-0
info.de@epluse.com

E+E Elektronik India Private Limited
T +91 990 440 5400
info.in@epluse.com

E+E Elektronik Italia S.R.L.
T +39 02 2707 86 36
info.it@epluse.com

E+E Elektronik Korea Ltd.
T +82 31 732 6050
info.kr@epluse.com

E+E Elektronik Corporation
T +1 847 490 0520
info.us@epluse.com

Version v1.9 | 01-2024
Modification rights reserved



—
your partner
in sensor
technology.

www.epluse.com