

SPD200K and SPD300K Series - Surge Protective Devices

The SPD200K and SPD300K Series offers continuous protection from damaging voltage transients and electrical noise commonly found at the service entrance or distribution panel. The design of the SPD200K and SPD300K allows for installation flexibility and the robust design allows for installation in the most severe exposure locations. They are capable of handling the high-impulse, potentially damaging transients commonly found at the service entrance or distribution panels.

The SPD200K and SPD300K utilizes circuitry to monitor the status of all protection modes, including neutral to ground. Should protection be unavailable in any mode, the Green LED will be extinguished, and the Red LED will be illuminated. In addition, high isolation form C dry contacts provide remote monitoring of protection system failure, under voltage, phase and power loss. The SPD200K and SPD300K protection integrity monitoring indicates failure for both shorted or opened protection components.

These devices are built to meet your unique requirements, and are available in hardwire, three phase configuration with an internal rotary disconnect standard. They are designed for years of trouble free operation and require little or no operator intervention after installation.

Applications

The SPD200K and SPD300K Series can be a facility-wide product family and may be installed from service entrances to distribution panels to branch panels.

- Industrial Plants
- Commercial Buildings
- Institutional Facilities
- Any facility that has an environment with electronics based equipment


Features

- Surge current capacity of 200 to 300 kA per phase
- Metal, UL Listed /NEMA type 1/12/3R/4 enclosure standard
- Rotary disconnect and transient counter
- All modes transient protection (L-N, L-G, and N-G)
- Form C dry contacts and audible alarm status indications
- Internal/external monitoring, including neutral to ground
- EMI/RFI Filtering
- Ten year limited warranty



SPD200K and SPD300K shown with Internal View

Certifications and Compliances

-  Listed
 - UL 1449, Type 1 locations
 - UL rated 200 kA with component level fusing for safe operation
 - UL Listed/NEMA 4
- ANSI/IEEE C62.11, C62.41, C62.45 Categories A, B, and C3 tested
- Tested to Third Party Witness Tested (former NEMALS1), ISO 9001

Related Products

- Power Conditioners
- Uninterruptible Power System
- Transformers
- STV25K, STV100K, STFV and STC Series

SPD200K and SPD300K Series - Surge Protective Devices

SPD200K Specifications

Parameters	Catalog Number					
	SPD200K10YRC	SPD200K24DRC	SPD200K27YRC	SPD200K34YRC	SPD200K48DRC	SPD200K60DRC
Input Voltage	208Y/120 V	240 V	480Y/277 V	600Y/347 V	480 V	600 V
	3Ph Wye, 4 W + G	3Ph Delta, 3 W + G and HRG Wye	3Ph Wye, 4 W + G	3Ph Wye, 4 W + G	3Ph Delta, 3 W + G and HRG Wye	3Ph Delta, 3 W + G and HRG Wye
Maximum Continuous Operating Voltage (MCOV)	125% of the nominal level for 120 V; 115% for all other voltages					
Surge Current Rating	200 kA					
Line Frequency	47–63 Hz					
Response Time	< 0.5 nanoseconds					
Enclosure	Metal, UL Listed /NEMA type 1/12/3R/4					
Mounting Type	Wall Mounted					
Connection	Internally Connected Rotary Disconnect					
Status Indication	Red and green LED status indicators, audible alarm, summary alarm contacts					
Operating Temperature	-25 °C to +60 °C (-13 °F to +140 °F)					
Operating Humidity	0% to 95% non-condensing					
Noise Attenuation	-50 dB maximum					
Modes of Protection	All Modes: L–N, L–L, L–G, N–G *					
Short Circuit Current Rating (SCCR)	200 kAIC					
Nominal Discharge Current Rating (I _n)	20 kA					
Warranty	10 year limited warranty					
UL 1449, Type 2 Voltage Protection Ratings (VPRs)						
Line to Neutral	900 V	N/A	1500 V	1500 V	N/A	N/A
Line to Line	1500 V	1500 V	2500 V	2500 V	1800 V	2500 V
Line to Ground	800 V	1200 V	1200 V	1500 V	1800 V	N/A
Neutral to Ground	800 V	N/A	1200 V	1500 V	N/A	2500 V

Dimension Specifications

Catalog Number	Dimensions D x W x H – mm (in)	Suggested Breaker Size	Suggested Wire Size (AWG)	Weight lbs (kg)	Allowable Breaker Range	Allowable Wire Range
SPD200K	152.4 x 304.8 x 304.8 (6.0 x 12.0 x 12.0)	40 A	#8	23 (10.4)	40–100 A	#8–1/0

* Delta Model does not offer N–G mode of protection

SPD200K and SPD300K Series - Surge Protective Devices

SPD300K Specifications

Parameters	Catalog Number				
	SPD300K10YRC	SPD300K27YRC	SPD300K24DRC	SPD300K48DRC	SPD300K34YRC
Input Voltage	208Y/120 V	480Y/277 V	240 V	480 V	600Y/347 V
	3Ph Wye, 4 W + G	3Ph Wye, 4 W + G	3Ph Delta, 3 W + G and HRG Wye	3Ph Delta, 3 W + G and HRG Wye	3Ph Wye, 4 W + G
Maximum Continuous Operating Voltage (MCOV)	125% of the nominal level for 120 V; 115% for all other voltages				
Surge Current Rating	300 kA				
Line Frequency	47–63 Hz				
Response Time	< 0.5 nanoseconds				
Enclosure	Metal, UL Listed /NEMA type 1/12/3R/4				
Mounting Type	Wall Mounted				
Connection	Internally Connected Rotary Disconnect				
Status Indication	Red and green LED status indicators, audible alarm, summary alarm contacts				
Operating Temperature	-25 °C to +60 °C (-13 °F to +140 °F)				
Operating Humidity	0% to 95% non-condensing				
Noise Attenuation	-50 dB maximum				
Modes of Protection	All Modes: L–N, L–L, L–G, N–G *				
Short Circuit Current Rating (SCCR)	300 kAIC				
Nominal Discharge Current Rating (I _n)	20 kA				
Warranty	10 year limited warranty				
UL 1449, Type 2 Voltage Protection Ratings (VPRs)					
Line to Neutral	900 V	1500 V	N/A	N/A	1500 V
Line to Line	1500 V	2500 V	1500 V	1800 V	2500 V
Line to Ground	800 V	1200 V	1200 V	1800 V	1500 V
Neutral to Ground	800 V	1200 V	N/A	N/A	1500 V

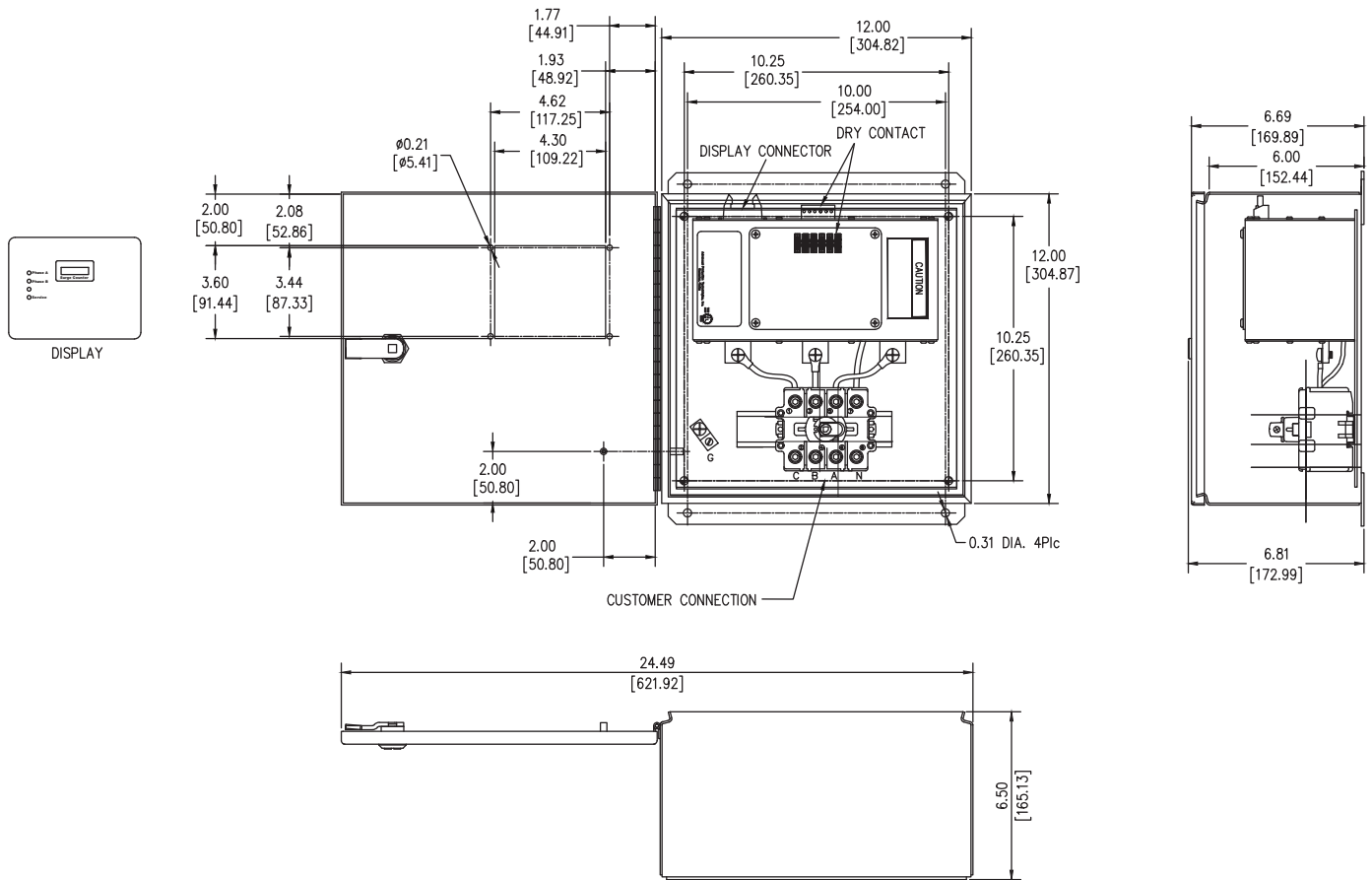
Dimension Specifications

Catalog Number	Dimensions D x W x H – mm (in)	Suggested Breaker Size	Suggested Wire Size (AWG)	Weight lbs (kg)	Allowable Breaker Range	Allowable Wire Range
SPD300K	152.4 x 304.8 x 304.8 (6.0 x 12.0 x 12.0)	40 A	#8	24 (11.79)	40–100 A	#8–1/0

* Delta Model does not offer N–G mode of protection

SPD200K and SPD300K Series - Surge Protective Devices

Dimensional Diagram - in. (mm)



Installation Specifications

Model	Weight lbs (kg)	Dimensions D x W x H – mm (in)	Suggested Breaker Size	Suggested Wire Size (AWG)	Allowable Breaker Range	Allowable Wire Range
SPD200K	23 (10.4)	152.4 x 304.8 x 304.8 (6.0 x 12.0 x 12.0)	40 A	#8	40–100 A	#8–1/0
SPD300K	24 (11.79)	152.4 x 304.8 x 304.8 (6.0 x 12.0 x 12.0)	40 A	#8	40–100 A	#8–1/0