

DESCRIPTION

Used in conjunction with any Badger Meter® flow monitor or transmitter, Badger Meter non-magnetic flow sensors provide an accurate reading of the rate of liquid flow and total accumulated flow. The available sensor models cover applications for a wide range of pipe sizes and pressure/temperature specifications.

The flow sensors generate a frequency proportional to flow rate. An internal preamplifier allows the pulse signal to travel up to 2000 feet (610 meters) without further amplification. Power to operate the sensor is provided by the flow monitor. The impeller bearing assembly, shaft and O-rings are replaceable in the field.

Badger Meter flow sensors feature a closed, six-bladed impeller design, using a proprietary, non-magnetic sensing technology. The forward-swept impeller shape provides higher, more constant torque than four-bladed impeller designs, and is less prone to fouling by water-borne debris. The forward-curved shape, coupled with the absence of magnetic drag, provides improved operation and repeatability, even at lower flow rates. As the liquid flow turns the impeller, a low impedance signal is transmitted with a frequency proportional to the flow rate.

Sensors of similar type are interchangeable, so there is no need for recalibration after servicing or replacement.

Series 228PV

These models feature a modified PVC tee with solvent weld socket end connections, and a removable PPS or PVDF sensor insert. Sizes include 1-1/2, 2, 3, and 4 inch.

ELECTRONIC TYPES

Badger Meter provides several basic sensor configurations, using the same impeller element, allowing for a wide range of applications and pipe sizes. Sensors are normally supplied with 20 feet (6 meters) of 2-conductor 20 AWG shielded UL type PTLC 221° F (105° C) cable. All Series 200 sensor electrical components are self-contained. Pressure/temperature ratings for the models are contained in the specifications section of this document. These models are further described as follows.



Standard Sensor

These sensors are designed for indoor or protected area applications such as HVAC, pump control, and industrial process monitoring where flow rates are between 0.5...30 feet/second and temperatures are below 140° F (60° C). Standard sensors are supplied with 20 feet (6 meters) of 2-conductor 20 AWG shielded UL type PTLC 221° F (105° C) cable.

IR Sensor

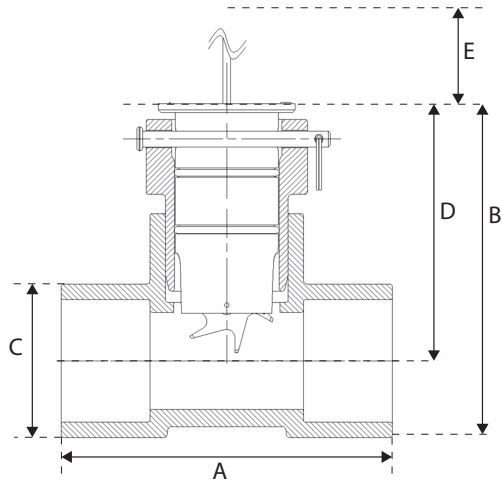
These sensors are designed for below grade applications such as irrigation, municipal, and groundwater monitoring where the flow rates are between 0.5...30 feet/second and temperatures are below 140° F (60° C). IR sensors are supplied with two single conductor, 18 AWG solid copper wire leads, 48 inches (122 cm) in length, with UL Style 116666 direct burial insulation.

SPECIFICATIONS

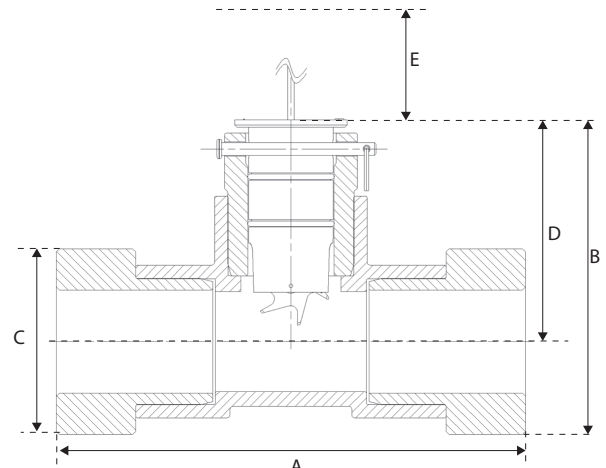
Wetted Materials (except tees)	See Ordering Matrix								
Tee for 228PV	Schedule 80 PVC per ASTM D-2462 and D-2467, Virgin, unplasticized PVC resin, Type 1 cell classification 12454-B. Fittings and solvent carry approval for potable water by NSF and IAMPO.								
Pressure/Temperature Ratings (DO NOT EXCEED)	<p>Depends on hardware configurations.</p> <table border="1"> <caption>Pressure/Temperature Rating Data</caption> <thead> <tr> <th>Temperature (°C)</th> <th>Pressure (psi)</th> </tr> </thead> <tbody> <tr> <td>0</td> <td>100</td> </tr> <tr> <td>25</td> <td>100</td> </tr> <tr> <td>60</td> <td>40</td> </tr> </tbody> </table>	Temperature (°C)	Pressure (psi)	0	100	25	100	60	40
Temperature (°C)	Pressure (psi)								
0	100								
25	100								
60	40								
Rated Temperature (DO NOT EXCEED)	Operating: 35...110° F (2...43° C) Storage 14...110° F (-10...43° C)								
Recommended Design Flow Range	0.5...30 ft/sec								
Accuracy	± 1.0% of full scale over recommended design flow range								
Repeatability	± 0.3% of full scale over recommended design flow range								
Linearity	± 0.2% of full scale over recommended design flow range								
Transducer Excitation	<p>Supply voltage = 8V DC min. 35V DC max.</p> <p>Quiescent current = 600 uA (typical)</p> <p>OFF State (V_{High}) = Supply voltage - (600 μ * Supply impedance)</p> <p>ON State (V_{Low}) = 1.2V DC @ 40 mA (15 Ω + 0.7V DC)</p>								
Output Frequency	3.2...200 Hz								
Output Pulse Width	5 msec ±25%								
Environmental	<ul style="list-style-type: none"> • IP 68 / NEMA 4X • Suitable for pollution degree 4 environments • Suitable for outdoor use above grade, IR version below grade • Suitable for use in 100% humidity 								
Electrical Cable for Standard Sensor Electronics	20 feet (6 meters) of 2-conductor AWG 20 with AWG 22 drain wire shielded UL type PTLT wire provided for connection to display or transmitter unit. Rated to 221° F (105° C). May be extended to a maximum of 2000 feet (610 meters) with similar cable and insulation appropriate for application.								
Electrical Cable for IR Sensor Electronics	48 inches (122 cm) of UL Style 116666 copper solid AWG 18 wire w/direct burial insulation. Rated to 221° F (105° C).								

DIMENSIONS

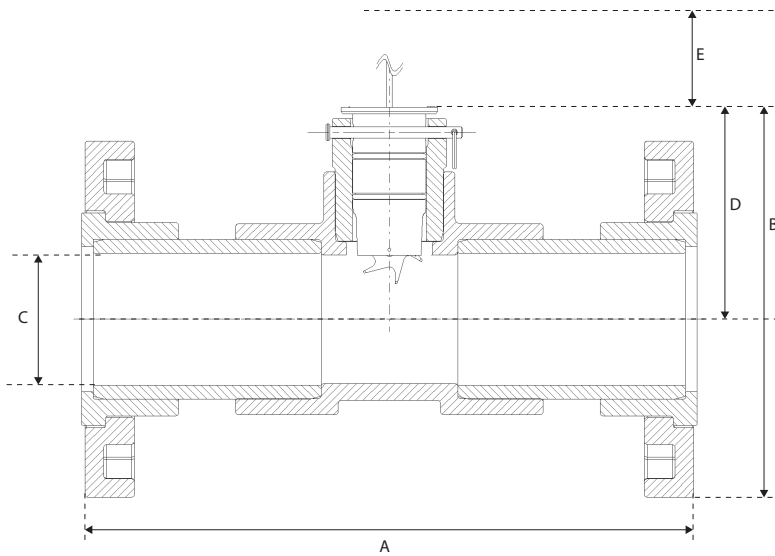
Dimensions	Series No. Complete			
	228PV15XX-XXX	228PV2XXX-XXXX	228PV3XXX-XXXX	228PV4XXX-XXXX
A	5.0 in. (127 mm)	5.63 in. (143 mm)	6.50 in. (165 mm)	7.38 in. (187 mm)
B	5.16 in. (131 mm)	5.64 in. (143 mm)	6.83 in. (173 mm)	6.83 in. (199 mm)
C	2.38 in. (60 mm)	2.88 in. (73 mm)	4.23 in. (107 mm)	5.38 in. (137 mm)
D	3.97 in. (101 mm)	4.20 in. (107 mm)	4.68 in. (119 mm)	5.10 in. (130 mm)
E	5.0 in. (127 mm)	5.0 in. (127 mm)	5.0 in. (127 mm)	5.0 in. (127 mm)



No Fittings



BSP Fittings



Flanged (4 in. only)

A = Overall Length; B = Overall Height; C = Diameter; D = Center of Tube to Top Height; E = Minimum Clearance for Sensor Removal

PART NUMBER CONSTRUCTION

	Example: 2	28	PV	15	0	5	-	1	2	1	1
STYLE											
Tee Mounted Insert Sensor		28									
MATERIAL											
PVC (1.5", 2", 3", 4" Sch 80 only)			PV								
SIZE											
1.5"				15							
2"				20							
3"				30							
4"				40							
1.5" with BSP Adapters				16							
2" with BSP Adapters				21							
3" with BSP Adapters				31							
4" with Flange Adapters				41							
ELECTRONICS HOUSING											
PPS					0						
ELECTRONICS											
Standard Flow (STANDARD)						5					
IR-Irrigation						6					
O-RING											
Viton®								0			
EPDM (STANDARD)								1			
Buna N								8			
SHAFT											
Zirconia Ceramic										0	
Tungsten Carbide (STANDARD)										2	
316 Stainless Steel										6	
IMPELLER											
Nylon (STANDARD)											1
Tefzel®											2
BEARING											
UHMWPE (STANDARD)											1
Tefzel®											2
Teflon®											3

NOTE: See *Parts & Accessories* at www.badgermeter.com for additional items. Special order shaft material and O-rings are available. Consult factory for pricing and delivery.

Control. Manage. Optimize.

Trademarks appearing in this document are the property of their respective entities. Due to continuous research, product improvements and enhancements, Badger Meter reserves the right to change product or system specifications without notice, except to the extent an outstanding contractual obligation exists. © 2018 Badger Meter, Inc. All rights reserved.

www.badgermeter.com

The Americas | Badger Meter | 4545 West Brown Deer Rd | PO Box 245036 | Milwaukee, WI 53224-9536 | 800-876-3837 | 414-355-0400
 México | Badger Meter de las Americas, S.A. de C.V. | Pedro Luis Ogazón N°32 | Esq. Angelina N°24 | Colonia Guadalupe Inn | CP 01050 | México, DF | México | +52-55-5662-0882
 Europe, Eastern Europe Branch Office (for Poland, Latvia, Lithuania, Estonia, Ukraine, Belarus) | Badger Meter Europe | ul. Korfantego 6 | 44-193 Knurów | Poland | +48-32-236-8787
 Europe, Middle East and Africa | Badger Meter Europa GmbH | Nurtinger Str 76 | 72639 Neuffen | Germany | +49-7025-9208-0
 Europe, Middle East Branch Office | Badger Meter Europe | PO Box 341442 | Dubai Silicon Oasis, Head Quarter Building, Wing C, Office #C209 | Dubai / UAE | +971-4-371 2503
 Slovakia | Badger Meter Slovakia s.r.o. | Racianska 109/B | 831 02 Bratislava, Slovakia | +421-2-44 63 83 01
 Asia Pacific | Badger Meter | 80 Marine Parade Rd | 21-06 Parkway Parade | Singapore 449269 | +65-63464836
 China | Badger Meter | 7-1202 | 99 Hangzhong Road | Minhang District | Shanghai | China 201101 | +86-21-5763 5412
 Switzerland | Badger Meter Swiss AG | Mittelholzerstrasse 8 | 3006 Bern | Switzerland | +41-31-932 01 11