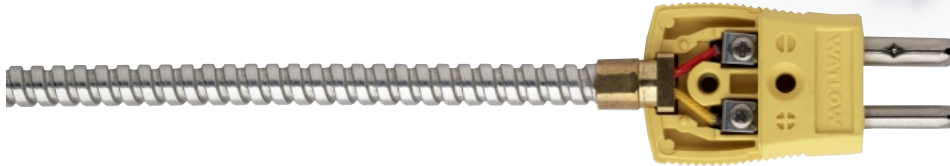
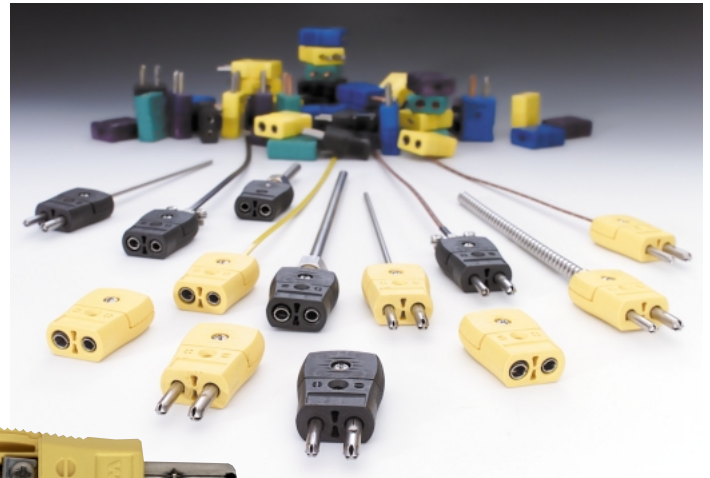


## “S” Series Connector Features New Clamping Mechanism



### Features and Benefits

#### ASTM color coded

- Assures easy identification

#### Compensated alloys

- Provides accuracy in readings

#### Glass-filled thermoplastic

- Provides high impact strength

#### Captive cap screws are held tightly in place

#### Connection hardware

- Redesigned to eliminate a number of components

#### Meets requirements for ASTM E1129

- Ensures adequate pin spacing, dimensions and contact resistance

Rated to 425°F (215°C)

Watlow's new standard line of connector systems is lightweight, rugged and accurate and features a clamping mechanism that is unique in the industry.

The new, easy-to-use clamping connection will replace the traditional screw and wire wrap. This new device allows a straight-in application, which squeezes the wire and forms a tight connection assuring a clean, strong signal.

US Patent Number D424016, additional patent pending.



5710 Kenosha Street  
Richmond, Illinois 60071 USA  
Phone: 815-678-2211  
FAX: 815-678-3961  
Internet: [www.watlow.com](http://www.watlow.com)  
e-mail: [info@watlow.com](mailto:info@watlow.com)

ISO 9001  
Certified

RIC-CSS-120

**United States Sales Offices:** Atlanta/Greenville, (770)908-9164 • Austin, (512)249-1900 • Charlotte/Columbia, (704)541-3896 • Chicago, (847)458-1500 • Cincinnati, (513)398-5500 • Cleveland, (330)467-1423 • Dallas, (972)620-6030 • Denver, (303)798-7778 • Detroit, (248)651-0500 • Houston, (281)440-3074 • Indianapolis, (317)575-8932 • Kansas City, (913)897-3973 • Los Angeles, (714)935-2999 • Maryland/Virginia, (410)840-8034 • Minneapolis, (612)431-5700 • Nashville, (615)264-6148 • New England, (603)882-1330 • New York/New Jersey/Philadelphia, (215)345-8130 • New York, Upstate, (716)438-0454 • Orlando, (407)351-0737 • Phoenix, (602)708-1995 • Pittsburgh, (412)322-5004 • Portland, (503)245-9037 • St. Louis, (314)878-4600 • Sacramento, (707)425-1155 • San Diego, (714)935-2999 • San Francisco, (408)980-9355 • Seattle, (425)222-4090 • Tampa/St. Petersburg, (813)926-3600 • Tulsa, (918)496-2826 • Winston Salem/Raleigh, (336)766-9659 • Wisconsin, (414)723-5990

**Asian Sales Offices:** Australia, +61 (3) 9335-6449 • China, +86 (21) 6229-8917 • Japan, +81 (3) 5403-4688 • Korea, +82 (2) 563-5777 • Malaysia, +60 (4) 641-5977 • Singapore, +65 777-5488 • Taiwan, +886 (0) 7-261-8397 **European Sales Offices:** France, +33 (1) 3073-2425 • Germany, +49 (0) 7253-9400-0 • Italy, +39 (02) 458-8841 • United Kingdom, +44 (0) 115-964-0777

**Latin American Sales Office:** Mexico, +52 (42) 17-6235

**For other product information, call Watlow's FAX REPLY:** United States +1 (800) 367-0430 • Outside the United States +1 (732) 885-6344



## Ordering Information

1 2 3 4 5 6 7  
S C - - - - -

1-2. "S" Series Standard Connector, 425°F

### 3. Style

M = Male (plug)  
F = Female (jack)

### 4. Calibration

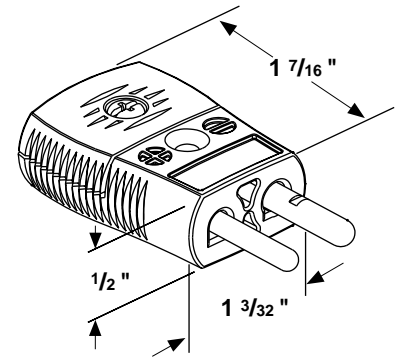
E = Type E  
J = Type J  
K = Type K  
T = Type T  
U = Uncompensated

### 5. Name Plate

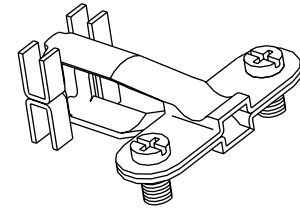
W = With Watlow name  
N = Without name label (calibration J and K only)

### 6. Color Code

AT = ASTM E 230 color code/uncompensated-white



Cable Clamp Style  
Specify SAC-220

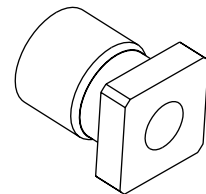


### Crimp/Braze Style

1 2 3 4 5 6  
S A B - - - - -

### 4-6. Sheath size

040 = 0.040 inches  
063 = 0.063 inches  
090 = 0.090 inches  
125 = 0.125 inches  
188 = 0.188 inches  
250 = 0.250 inches  
30M = 3.0 mm  
60M = 6.0 mm



### Compression Style

1 2 3 4 5 6  
S A P - - - - -

### 4-6. Sheath size

063 = 0.063 inches  
125 = 0.125 inches  
188 = 0.188 inches  
250 = 0.250 inches  
30M = 3.0 mm  
60M = 6.0 mm

