

# Accessories

## Connectors

### Single Panel Mount Hardware, 425°F (218°C)

Designed for use with Watlow's "S" standard thermocouple connectors, these units fit panels up to  $\frac{7}{16}$  inch thick. Panel cutout:  $1\frac{1}{8}$  inch to  $1\frac{5}{32}$  inch hole. Units fit into standard  $\frac{3}{4}$  inch knockouts.

### Ordering Information

#### Part Number

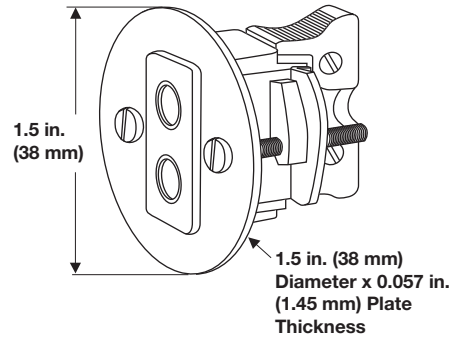
① ② ③	④	⑤	⑥ ⑦
	Calibration	Name Plate	Color Code
SKP			

④	Calibration
J	Type J
K	Type K
T	Type T

⑤	Name Plate
W	With Watlow name

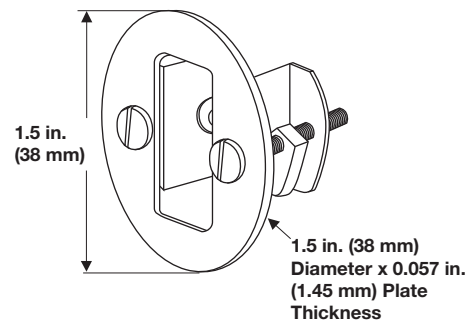
⑥ ⑦	Color Code
AT	ASTM E 230 color code/uncompensated = white

#### SKP Style



Single circuit panel mount with quick-disconnect jack included. Available calibrations J, K, T, R/S and Cu/cu.

#### SNP Style



Panel mount hardware only without Watlow name.

**Note:** All accessories are subject to minimum purchase quantities.