

9165S LUMINESCENT DISSOLVED OXYGEN SMART SENSOR

The 9165S Luminescent Dissolved Oxygen Smart Sensor utilizes the same reliable luminescent technology for measuring dissolved oxygen in water at ppb levels, with your electronics platform.

Luminescent technology features superior benefits and cost savings compared to traditional dissolved oxygen sensing technologies. The 9165S provides high accuracy with excellent long-term stability. The 9165S Dissolved Oxygen Analyzer can be used in a variety of online analysis applications throughout many different industries.

FEATURES

- Connects with any 4 - 20 mA display
- No sensor maintenance (no membrane, no electrolyte)
- No calibration or service for up to a year
- Three measurement ranges:
0-200 ppb, 0-2000 ppb, 0-45 ppm
- Extremely fast response time, 30 seconds (preset)
- No sample interferences
- Excellent results independent of sample flow rate
- Simple operation
- Rugged and compact design
- Save space and money by eliminating the need for transmitters



Optional Panel Monitor

See reverse side for specifications.

9165S DISSOLVED OXYGEN SMART SENSOR | GENERAL SPECIFICATIONS

PERFORMANCE

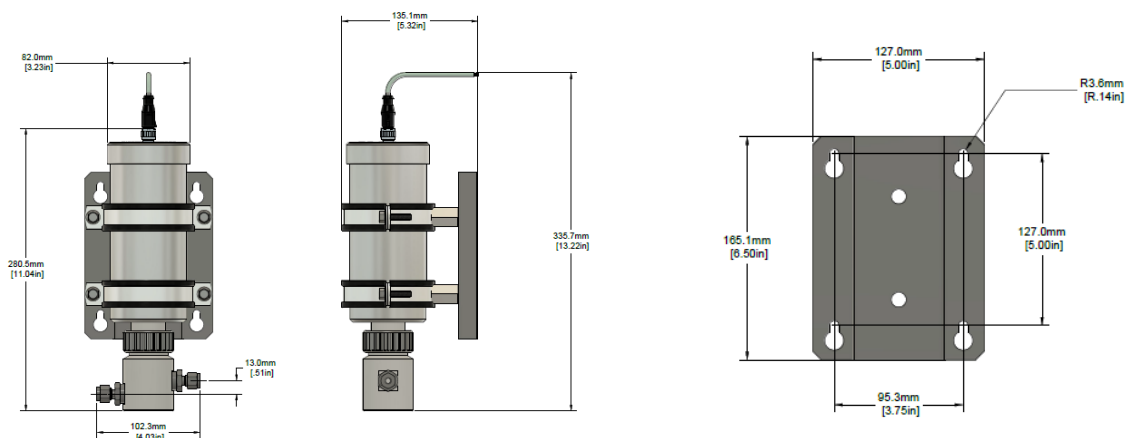
Range	0-200 ppb, 0-2000 ppb, 0-45 ppm
Accuracy	+/- 0.6ppb at 1ppb / 2% of the measured value
Sample Rate	One sample every 30 sec
Units	PPB
Current Outputs	(1) 4-20mA current output (Sink)
Power	12 - 24V DC, 1.5 W; 110 VAC adapter cable available
Calibration	Yearly sensor exchange program
Options	Panel mount display

SAMPLE DELIVERY OPERATING CONDITIONS

Ambient Temperature	32 - 131°F (0 - 55°C)
Sample Medium	Liquid
Sample Temperature	23 - 113°F (-5 - 40°C)
Sample Pressure	Maximum of 145 psig (10 bar)
Sample Interferences	None
Sample Connection	1/4" OD SS Tubing (Swagelok)

MECHANICAL

Construction / Finish	Stainless Steel / Corrosion Resistant
Materials in Contact w/ Sample	Stainless Steel
Dimensions	Sensor: Height = 11" (280 mm), Width = 5" (127 mm), Depth = 5.3" (135 mm)
Mounting	Wall mount
Weight	4.9 lbs (2.2 kg)
Degree of Protection	IP 67 Connections
Distance	10 ft (3m), 16 ft (5m), or 32 ft (10m)



105-052-B.2