

Ready to Install

The VERIS Accelabar® combined with a DP transmitter is a complete flow meter ready to install. It may be used with single or dual transmitters depending on the turndown and accuracy requirements.

An optional RTD is available in a welded thermowell assembly for dynamic, real-time density compensation (required for use with multi-variable transmitter's in certain applications).



Specifications

Sensor	Body	Flange	Accuracy	Repeatability
316SS	CF8M	304SS	to ± 0.50%	± 0.050%

VERIS Accelabar® Model Selection

- Furnish your flowing conditions. A flow calculation is required to determine the DP and verification of the operating limits.
 - Each meter size has a standard beta ratio sized for the optimal operating range.
 - The maximum operating limits are determined by the VERIS Veracalc® flow sizing software.
- If your flowing conditions exceed or limit selection of the body size that matches the pipe size, a larger or smaller Accelabar® body can be selected for optimal operating results...

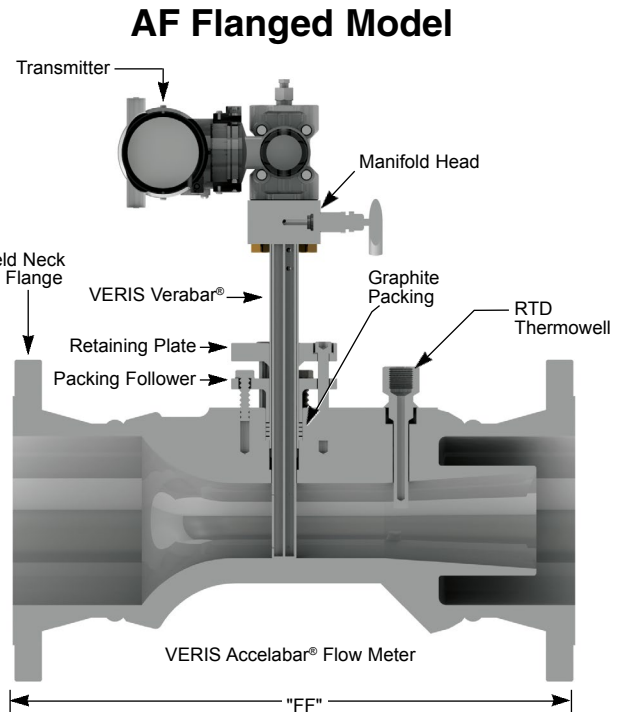


Chart A

Meter Size	Verabar® Sensor	Face-to-Face "FF"							
		Class 150#	Class 300#	Class 600#	PN10	PN16	PN40	PN63	PN100
1" (DN25)	-03	7.50" (190.5mm)	8.25" (209.6mm)	8.75" (222.3mm)	N/A	N/A	10.15" (257.8mm)	N/A	11.57" (293.5mm)
2" (DN50)	-05	8.75" (222.3mm)	9.38" (238.3mm)	10.13" (257.3mm)	11.54" (293.2mm)	11.54" (293.2mm)	11.78" (299.2mm)	12.88" (327.2mm)	13.35" (339.2mm)
3" (DN80)	-05	13.78" (350.0mm)	14.53" (369.1mm)	15.28" (388.1mm)	12.31" (312.8mm)	12.31" (312.8mm)	12.94" (328.8mm)	14.04" (356.8mm)	14.52" (368.8mm)
4" (DN100)	-05	15.15" (384.8mm)	15.90" (403.9mm)	17.65" (448.3mm)	13.34" (338.9mm)	13.34" (338.9mm)	14.36" (364.9mm)	15.39" (390.9mm)	16.34" (414.9mm)
6" (DN150)	-10	19.15" (486.4mm)	19.90" (505.5mm)	21.90" (556.3mm)	16.58" (421.1mm)	16.58" (421.1mm)	18.15" (461.1mm)	19.73" (501.1mm)	21.30" (541.1mm)
8" (DN200)	-10	21.40" (543.6mm)	22.15" (562.6mm)	24.40" (619.8mm)	18.38" (466.9mm)	18.38" (466.9mm)	20.42" (518.9mm)	22.16" (562.9mm)	23.74" (602.9mm)
10" (DN250)	-10	23.15" (588.0mm)	24.40" (619.8mm)	27.65" (702.31mm)	20.60" (523.3mm)	20.76" (527.3mm)	23.51" (597.3mm)	25.09" (637.3mm)	27.61" (701.3mm)
12" (DN300)	-10	26.22" (666.0mm)	27.47" (697.7mm)	29.97" (761.9mm)	22.62" (574.6mm)	23.41" (594.6mm)	26.32" (668.6mm)	28.29" (718.6mm)	30.65" (778.6mm)

*Nominal Face-to-Face dimensions nominal. Custom lengths available.

Model	VERIS Accelabar® 316SS
AFS ABS ATS	Flanged Connections Bevel for Welded in Meter MNPT Threaded Ends (2" meter only)

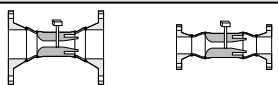
User Mating Pipe Size and Schedule or Exact ID and Wall Thickness

Code	User Mating Flange (Model AFS Only)
150 300 600	150# ANSI Class 275 psig @ 100°F, 80 psig @ 800°F (19 Bars @ 38°C, 5.5 Bars @ 426°C) 300# ANSI Class 720 psig @ 100°F, 330 psig @ 800°F (49.6 Bars @ 38°C, 22.8 Bars @ 426°C) 600# ANSI Class 1440 psig @ 100°F, 660 psig @ 800°F (99.3 Bars @ 38°C, 45.5 Bars @ 426°C) If other than ANSI, specify Standard (DIN, JIS) Size and Rating

Code	Flange Material
S C	304 Stainless Steel (Standard) 316 Stainless Steel (Optional) Carbon Steel (Optional)

VERIS Accelabar® Meter Size

Important: If the selected meter size is larger or smaller than the user's mating pipe and flanges, expanders or reducers are required. Consult the factory for price and delivery.



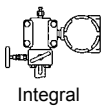
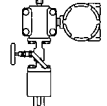
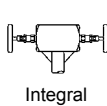
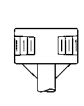
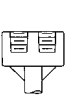




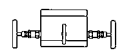
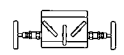
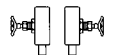
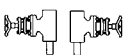
1" (25mm)	2" (50mm)	3" (75mm)	4" (100mm)	6" (150mm)	8" (200mm)	10" (250mm)	12" (300mm)
---------------------	---------------------	---------------------	----------------------	----------------------	----------------------	-----------------------	-----------------------

Code	VERIS Verabar® Size
05 10	7/16" (11mm) 7/8" (22mm)

Code	Pipe Orientation
H V	Horizontal Vertical

Instrument Head Connections (Select Remote or Direct Mount Transmitter—Sold Separately)

 Direct Mount Transmitter (Flanged 450°F/232°C Max.)		 Remote Mount Transmitter (1/2" NPT)		
Manifold	Transmount	Valve	Regular	Parallel
 Integral	 Integral	 Integral		
M	F	T	R	P

Manifolds (Optional)				Instrument Valves (Optional)	
 Direct Mount				 Remote Mount	
3-Valve		5-Valve		Needle	Gate
					
Soft Seat	Hard Seat	Soft Seat	Hard Seat	1/2" NPT	1/2" NPT
F3SC (CS) F3SS (SS)	F3HC (CS) F3HS (SS)	F5SC (CS) F5SS (SS)	F5HC (CS) F5HS (SS)	C2NC (CS) C2NS (SS)	C2GC (CS) C2GS (SS)

Code	RTD in Thermowell
H1 HT	Standard Temperature (500°F, 260°C Max) High Temperature (500°F to 900°F, 260°C to 482°C)

Code	Connection Cable to Transmitter (Direct Mount Only)
XP N4	Explosion Proof (hazardous locations) NEMA 4

Optional

Optional

Optional

Optional

AFS	6" Sch40	150		6	05	H	M			
------------	---------------------------	------------	--	----------	-----------	----------	----------	--	--	--

Fill in the form below, complete sections 1 through 7 and email to: veris-sales@armstronginternational.com

Requested By: _____

Date: _____ Tag#: _____ E-mail: _____

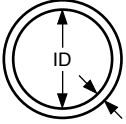
Phone: _____ Fax: _____

Company: _____ Address: _____ City, State, Zip: _____

End User:

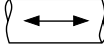
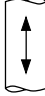
Company Name: _____ City: _____ State, Zip: _____

1. Enter Pipe Dimensions



Pipe Size _____ Sch _____
 Pipe ID _____ Wall _____ Pipe Mat'l _____
 Wall

2. Pipe Orientation (Check one box)

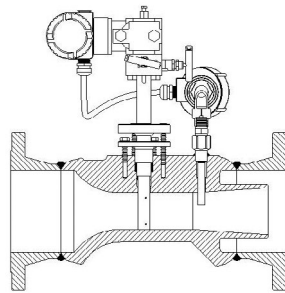

 (H) Horizontal
 
 (V) Vertical

3. Enter Flow Conditions

Fluid Name:		Maximum	Normal	Minimum	Units	Special Instructions
Flow Rate						
All Fluids	Pressure @ Flow					
	Temperature @ Flow					
Gas	Specific Gravity, or					
	Molecular Weight					
Liquid	Specific Gravity					
Steam	VeraCalc Program can calculate Density from Temperature and Pressure					

4. Select Model Accelabar® 316SS (Check one box in each category)

- AFS Flanged (ANSI):
- 150# 300#
 - 600# ABS Bevel for Weld
 - ATS MNPT Threaded Ends (2" meter only)



- Specify Accelabar Meter Size:
- 1" (DN25) 6" (DN150)
 - 2" (DN50) 8" (DN200)
 - 3" (DN75) 10" (DN250)
 - 4" (DN100) 12" (DN300)

5. Select Instrument Head (Check one box)

Instrument Head Connections (Select Remote or Direct Mount Transmitter — Sold Separately)				
Direct Mount Transmitter (Flanged 450°F/232°C Max.)		Remote Mount Transmitter (1/2" NPT)		
Manifold	Transmount	Valve	Regular	Parallel
Integral		Integral		
<input type="checkbox"/> M	<input type="checkbox"/> F	<input type="checkbox"/> T	<input type="checkbox"/> R	<input type="checkbox"/> P

6. Select Instrument Valves or Manifold, RTD & Cable (Optional)

Manifolds (Optional)				Instrument Valves (Optional)	
Direct Mount				Remote Mount	
3-Valve		5-Valve		Needle	Gate
Soft Seat	Hard Seat	Soft Seat	Hard Seat	1/2" NPT	1/2" NPT
<input type="checkbox"/> F3SC (CS) <input type="checkbox"/> F3SS (SS)	<input type="checkbox"/> F3HC (CS) <input type="checkbox"/> F3HS (SS)	<input type="checkbox"/> F5SC (CS) <input type="checkbox"/> F5SS (SS)	<input type="checkbox"/> F5HC (CS) <input type="checkbox"/> F5HS (SS)	<input type="checkbox"/> C2NC (CS) <input type="checkbox"/> C2NS (SS)	<input type="checkbox"/> C2GC (CS) <input type="checkbox"/> C2GS (SS)

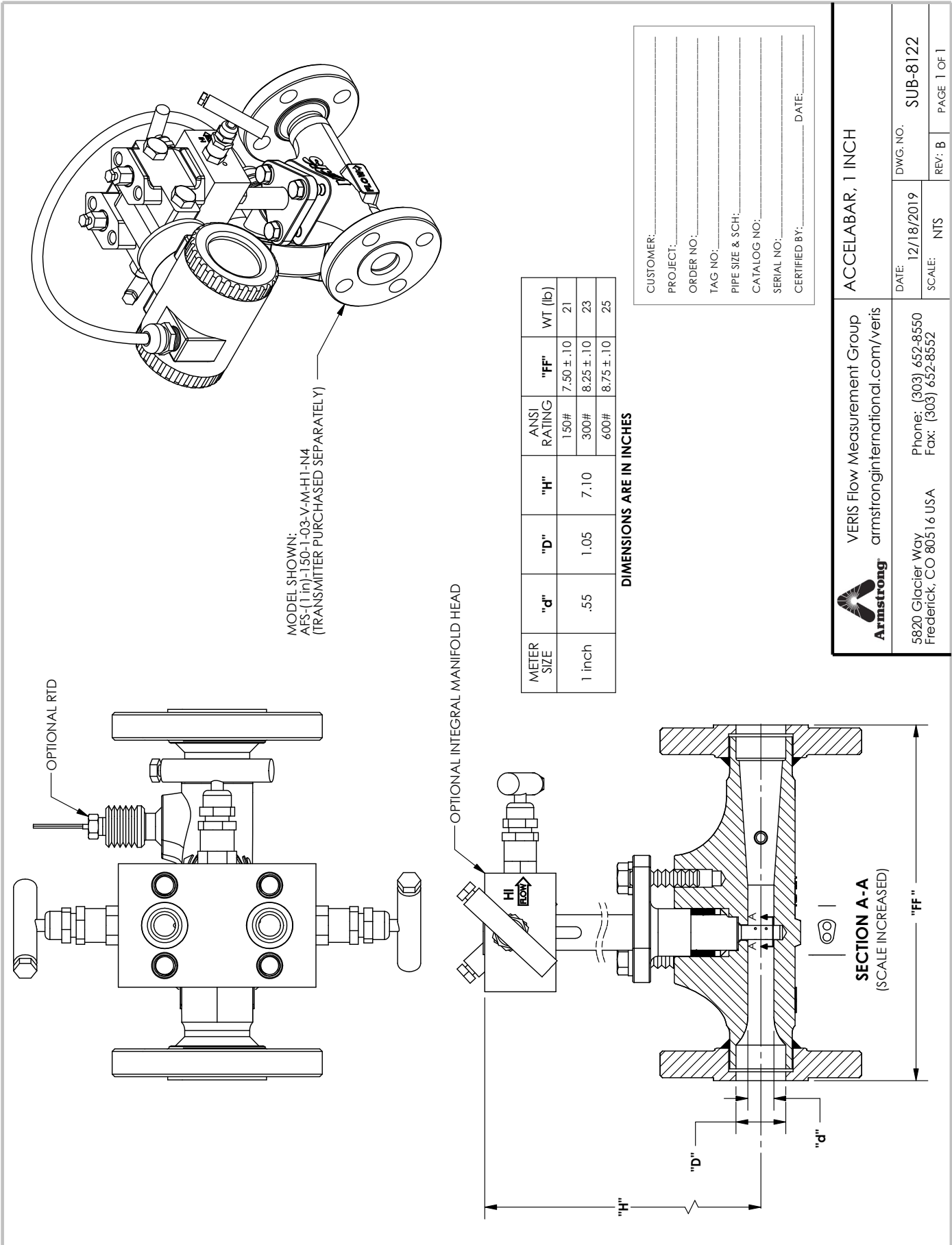
Code	RTD in Thermowell
<input type="checkbox"/> H1	Standard Temperature, 500°F (260°C) Max., Explosion Resistant
<input type="checkbox"/> HT	High Temperature, 900°F (482°C) Max., Moisture and Dust Resistant
Code	Connection Cable to Transmitter (Direct Mount Only)
<input type="checkbox"/> XP	Explosion Resistant
<input type="checkbox"/> N4	Moisture and Dust Resistant

7. Transmitter

Supplied By
<input type="checkbox"/> VERIS <input type="checkbox"/> Others



1 Inch Accelabar[®]




MODEL SHOWN:
AFS-(1 in)-150-I-03-V-M-H1-N4
(TRANSMITTER PURCHASED SEPARATELY)

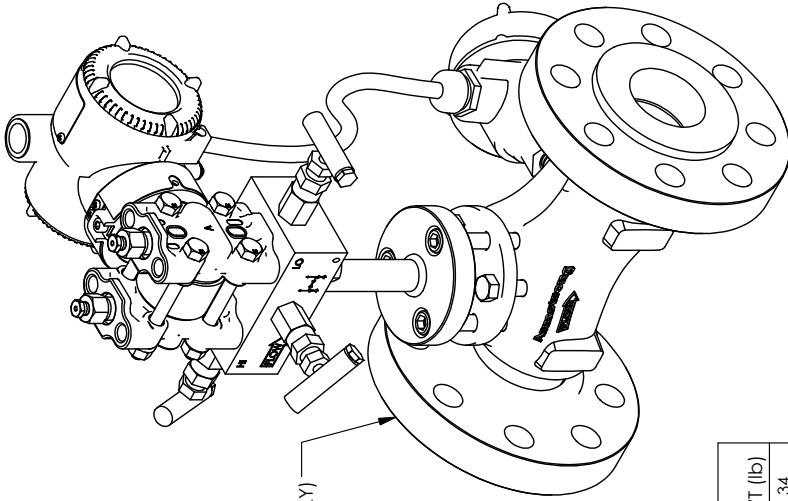
METER SIZE	"d"	"D"	"H"	ANSI RATING	"FF"	WT (lb)
1 inch	.55	1.05	7.10	150#	7.50 ± .10	21
				300#	8.25 ± .10	23
				600#	8.75 ± .10	25

DIMENSIONS ARE IN INCHES

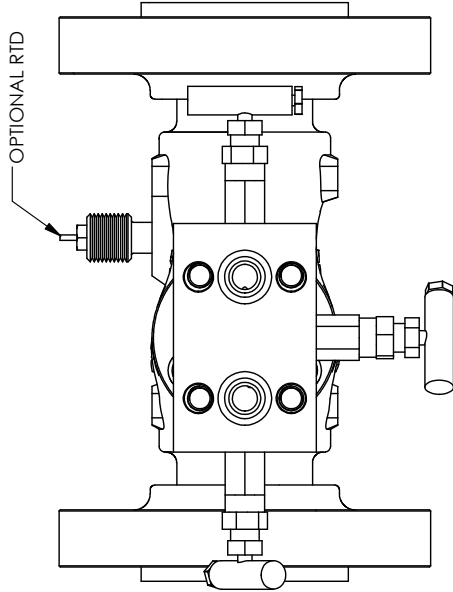
CUSTOMER: _____
 PROJECT: _____
 ORDER NO: _____
 TAG NO: _____
 PIPE SIZE & SCH: _____
 CATALOG NO: _____
 SERIAL NO: _____
 CERTIFIED BY: _____ DATE: _____

 VERIS Flow Measurement Group armstronginternational.com/veris		ACCELABAR, 1 INCH	
		DATE: 12/18/2019	DWG. NO: SUB-8122
5820 Glacier Way Frederick, CO 80516 USA	Phone: (303) 652-8550 Fax: (303) 652-8552	SCALE: NTS	REV: B PAGE 1 OF 1

2 Inch Accelabar®

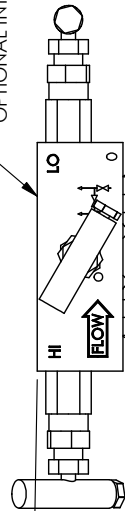


MODEL SHOWN:
AFS-(2in)-150-2-05-H-M-HI-N4
(TRANSMITTER PURCHASED SEPARATELY)



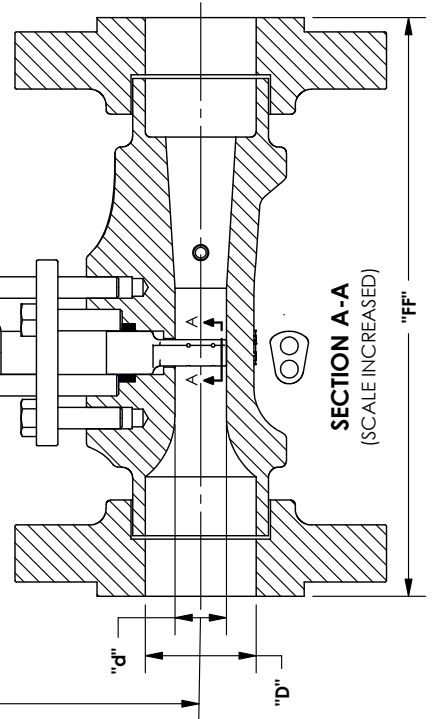
OPTIONAL RTD

OPTIONAL INTEGRAL MANIFOLD HEAD



METER SIZE	"d"	"D"	"H"	ANSI RATING	"FF"	WT (lb)
2 inch	.90	1.94	9.33	150#	8.75 ± .10	34
				300#	9.38 ± .10	37
				600#	10.13 ± .10	41

DIMENSIONS ARE SHOWN IN INCHES



SECTION A-A
(SCALE INCREASED)

CUSTOMER: _____
PROJECT: _____
ORDER NO.: _____
TAG NO.: _____
PIPE SIZE & SCH: _____
CATALOG NO.: _____
SERIAL NO.: _____
CERTIFIED BY: _____
DATE: _____

ACCELABAR, 2 INCH

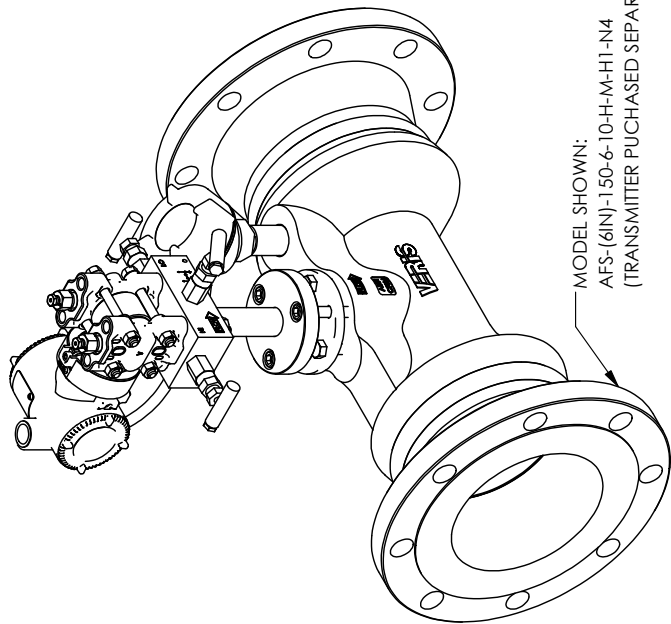
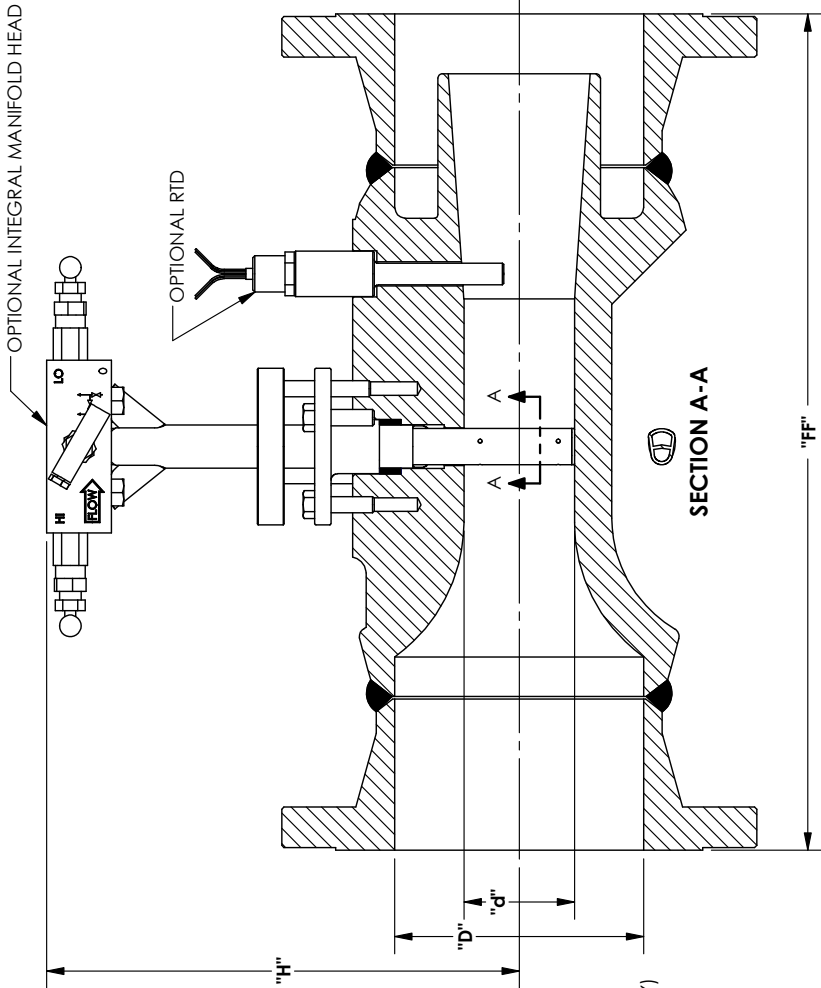
Armstrong
VERIS Flow Measurement Group
armstronginternational.com/veris

Phone: (303) 652-8550
Fax: (303) 652-8552

5820 Glacier Way
Frederick, CO 80516 USA

DATE: 12/18/2019
SCALE: NTS
REV: B
DWG. NO. SUB-8132
PAGE 1 OF 1

3 - 12 Inch Accelabar®



MODEL SHOWN:
AFS-(6IN)-150-6-10-H-M-H1-N4
(TRANSMITTER PURCHASED SEPARATELY)

CUSTOMER: _____
 PROJECT: _____
 ORDER NO.: _____
 TAG NO.: _____
 PIPE SIZE & SCH: _____
 CATALOG NO.: _____
 SERIAL NO.: _____
 CERTIFIED BY: _____ DATE: _____

METER SIZE	"d"	"D"	"H"	ANSI RATING	"FF"	WT (lb)
3 inch	1.29	2.90	9.58	150#	13.78 ±.25	40
				300#	14.53 ±.25	53
				600#	15.28 ±.25	53
4 inch	1.70	3.83	10.00	150#	15.15 ±.25	59
				300#	15.90 ±.25	79
				600#	17.65 ±.25	100
6 inch	2.56	5.76	10.94	150#	19.15 ±.25	115
				300#	19.90 ±.25	153
				600#	21.90 ±.25	209
8 inch	3.39	7.63	12.16	150#	21.40 ±.25	193
				300#	22.15 ±.25	247
				600#	24.40 ±.25	333
10 inch	4.25	9.75	13.39	150#	23.15 ±.25	325
				300#	24.40 ±.25	417
				600#	27.65 ±.25	595
12 inch	5.06	11.75	14.12	150#	26.22 ±.25	430
				300#	27.47 ±.25	538
				600#	29.97 ±.25	706

DIMENSIONS ARE IN INCHES



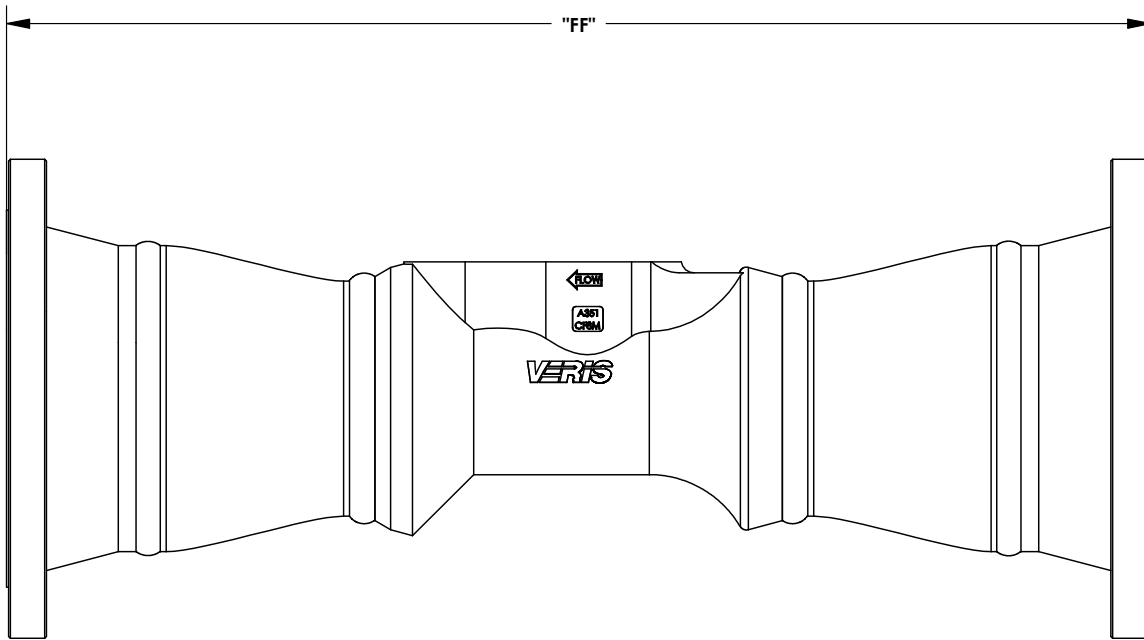
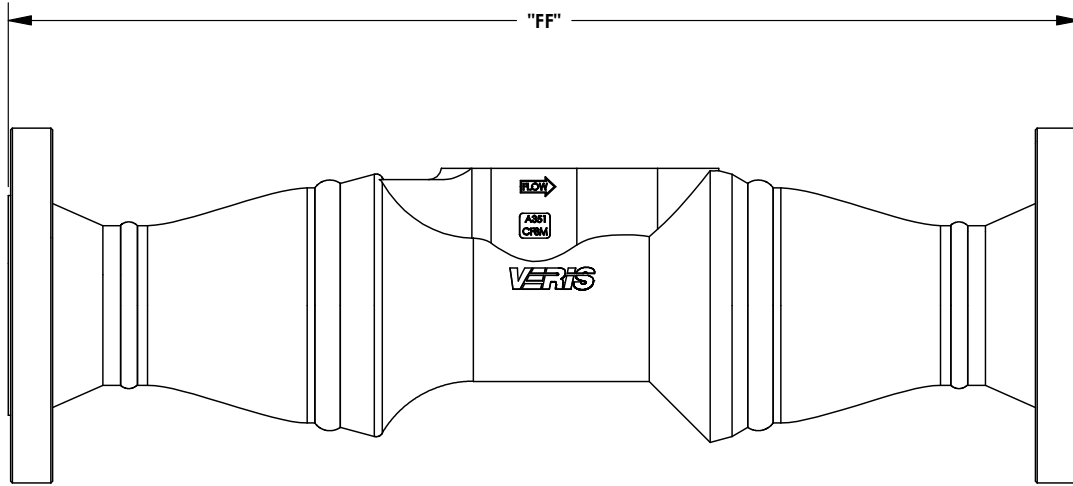
VERIS Flow Measurement Group
 armstronginternational.com/veris
 5820 Glacier Way
 Frederick, CO 80516 USA
 Phone: (303) 652-8550
 Fax: (303) 652-8552

ACCELABAR, 3-12 INCH

DATE: 12/18/2019
 SCALE: NTS
 DWG. NO. SUB-8133
 REV. B PAGE 1 OF 1



Accelabar® Reducers/Expanders Face-to-Face Dimensions



	VERIS Flow Measurement Group armstronginternational.com/veris	ACCELABAR DIMENSIONS REDUCERS OR EXPANDERS	
		DATE: 12/18/2019	DWG. NO. SUB-8107
5820 Glacier Way Frederick, CO 80516 USA	Phone: (303) 652-8550 Fax: (303) 652-8552	SCALE: NTS	REV: B PAGE 1 OF 2



Accelabar® Reducers/Expanders

Face-to-Face Dimensions – Continued

BODY SIZE & RED/EXP SIZE	FLANGE SIZE AND RATING	FACE TO FACE "FF"	BODY SIZE & RED/EXP SIZE	FLANGE SIZE AND RATING	FACE TO FACE "FF"
1" R010.75	.75" 150#	15.13±.25	4" E0408	8" 150#	29.10±.30
	.75" 300#	15.50±.25		8" 300#	29.85±.30
	.75" 600#	16.00±.25		8" 600#	32.10±.30
1" E0101.5	1.5" 150#	16.88±.25	6" R0603	3" 150#	28.55±.30
	1.5" 300#	17.38±.25		3" 300#	29.30±.30
	1.5" 600#	18.00±.25		3" 600#	30.05±.30
1" E0102	2" 150#	18.00±.25	6" R0604	4" 150#	29.05±.30
	2" 300#	18.50±.25		4" 300#	29.80±.30
	2" 600#	19.25±.25		4" 600#	31.55±.30
2" R0201	1" 150#	18.38±.25	6" R0605	5" 150#	30.05±.30
	1" 300#	18.88±.25		5" 300#	30.80±.30
	1" 600#	19.38±.25		5" 600#	32.55±.30
2" R0201.25	1.25" 150#	18.50±.25	6" E0608	8" 150#	32.10±.30
	1.25" 300#	19.13±.25		8" 300#	32.85±.30
	1.25" 600#	19.75±.25		8" 600#	35.10±.30
2" R0201.5	1.5" 150#	18.88±.25	6" E0610	10" 150#	34.10±.30
	1.5" 300#	19.38±.25		10" 300#	35.35±.30
	1.5" 600#	20.00±.25		10" 600#	38.60±.35
2" E0202.5	2.5" 150#	20.50±.25	8" R0804	4" 150#	31.35±.30
	2.5" 300#	21.00±.25		4" 300#	32.10±.30
	2.5" 600#	21.75±.25		4" 600#	33.85±.30
2" E0203	3" 150#	20.50±.25	8" R0805	5" 150#	32.35±.30
	3" 300#	21.25±.25		5" 300#	33.10±.30
	3" 600#	22.00±.25		5" 600#	34.85±.30
2" E0204	4" 150#	22.00±.25	8" R0806	6" 150#	32.35±.30
	4" 300#	22.75±.25		6" 300#	33.10±.30
	4" 600#	24.50±.25		6" 600#	35.10±.30
3" R0302	2" 150#	20.18±.25	8" E0810	10" 150#	35.40±.30
	2" 300#	20.68±.25		10" 300#	36.65±.38
	2" 600#	21.43±.25		10" 600#	39.90±.38
3" R0302.5	2.5" 150#	20.68±.25	8" E0812	12" 150#	38.40±.38
	2.5" 300#	21.18±.25		12" 300#	39.65±.38
	2.5" 600#	22.68±.25		12" 600#	42.15±.38
3" E0304	4" 150#	22.18±.25	10" R1006	6" 150#	36.10±.38
	4" 300#	22.93±.25		6" 300#	36.85±.38
	4" 600#	24.68±.25		6" 600#	38.85±.38
3" E0305	5" 150#	25.18±.25	10" R1008	8" 150#	37.15±.38
	5" 300#	25.93±.25		8" 300#	37.90±.38
	5" 600#	27.68±.25		8" 600#	40.15±.38
3" E0306	6" 150#	26.18±.25	10" E1012	12" 150#	40.15±.38
	6" 300#	26.93±.25		12" 300#	41.40±.38
	6" 600#	28.93±.30		12" 600#	43.90±.38
4" R0402	2" 150#	22.05±.25	10" E1014	14" 150#	51.15±.38
	2" 300#	22.55±.25		14" 300#	52.40±.38
	2" 600#	23.30±.25		14" 600#	54.65±.38
4" R0402.5	2.5" 150#	22.55±.25	12" R1208	8" 150#	41.17±.38
	2.5" 300#	23.05±.25		8" 300#	41.92±.38
	2.5" 600#	24.55±.25		8" 600#	44.17±.38
4" R0403	3" 150#	22.55±.25	12" R1210	10" 150#	41.17±.38
	3" 300#	23.30±.25		10" 300#	42.42±.38
	3" 600#	24.05±.25		10" 600#	45.67±.38
4" E0405	5" 150#	26.05±.25	12" E1214	14" 150#	53.17±.38
	5" 300#	26.80±.25		14" 300#	54.42±.38
	5" 600#	28.55±.25		14" 600#	56.67±.38
4" E0406	6" 150#	27.05±.25	12" E1216	16" 150#	55.17±.38
	6" 300#	27.80±.25		16" 300#	56.67±.38
	6" 600#	29.80±.30		16" 600#	59.67±.38