

Data Sheet

Direct and Remote Mount 3-Valve Manifolds - V02 Series

FEATURES

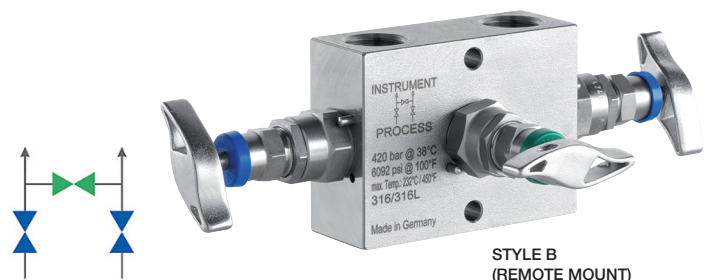
- 3-valve manifolds Isolates each port and equalizes pressure for instrument maintenance
- 1.4404 (316L) stainless steel construction
- Support mounting brackets available

TYPICAL USES

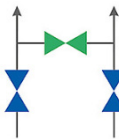
- Oil & Gas Industry
 - Upstream: Onshore/offshore production
 - Midstream: Transport, storage and natural gas compression
 - Downstream: Refineries and petrochemical industries
- Chemical Industry
- Power Plants
 - Conventional power plants
 - Flue gas desulfurization plants
- Other Industries
 - Waste incineration plants
 - Seawater desalination plants
 - Steel mills
 - Cement plants



STYLE A
(DIRECT MOUNT)*



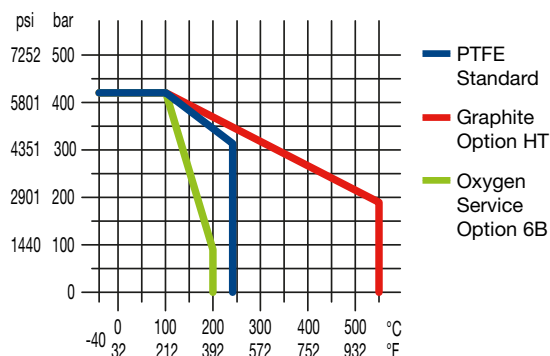
STYLE B
(REMOTE MOUNT)



*Style A compatible with Ashcroft product F5503 only

SPECIFICATIONS

Process Connection:	½ NPT Female
Instrument Connection:	Direct Mount: IEC, Type A (54mm center point) Remote Mount: ½ NPT Female
Construction:	316 Stainless steel
Max. Pressure Rating:	6092 psi at 100°F (420 bar at 38°C) more details, check chart below
Max. Temperature Rating for:	
PTFE	450°F (232°C)
Graphite	1,022°F (550°C)
Oxygen service	392°F (200°C)
Min. Temperature Rating for:	
PTFE	-40°F (-40°C)
Graphite	-40°F (-40°C)



- Available for oxygen service
- Color-coded dust caps prevent dust ingress and identifies handle function
- PTFE Packing (other materials available upon request)
- Stem with cold rolled surface, back seat and non-rotating needle tip
- Supplied with wetted parts according to NACE MR0175/MR0103 (CD-5 Certificate)
- Material traceability reports available per EN 10204 3.1

COMPONENTS	MATERIAL
Wetted	
Body	1.4404 (316L SS)
Valve stem	1.4404 (316L SS)
Needle tip	1.4571 (316Ti SS)
Packing	PTFE up to 390°F (200°C)
Gland nut	1.4401 (316 SS)
Non-Wetted	
Bonnet	316 SS (1.4401)
T-handle	Stainless steel

Data Sheet

Direct and Remote Mount 3-Valve Manifolds - V02 Series

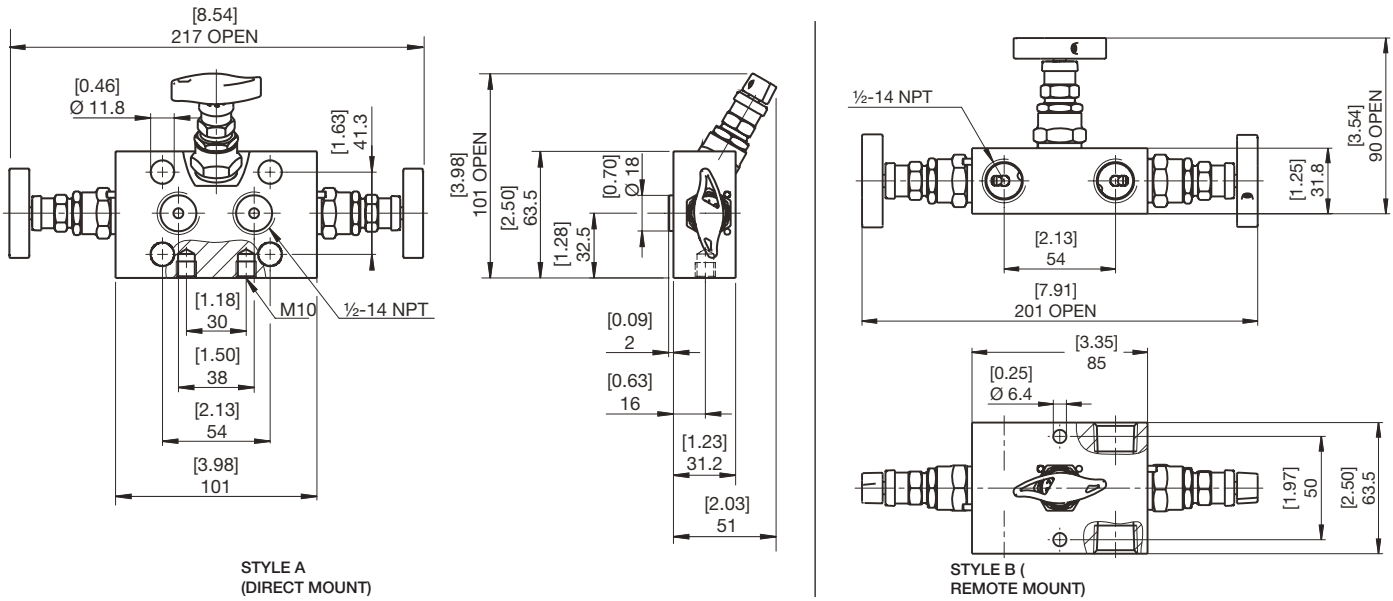
ORDERING CODE	Example:	50	V02	MV	A	SS	50	XC3
Process Connection								
04 - ¼ NPT Male								
50 - ½ NPT Female		50						
Series Code								
V02 - Valve			V02					
Valves								
MV - Multiport valve				MV				
Style								
A - Style A IEC 61518-A					A			
B - Style B								
Material								
SS - 316 Stainless steel						SS		
PM - Monel® 400								
HH - Hastelloy® C-276								
Instrument Connection								
50 - ½ NPT Female (Style B only)							50	
60 - IEC Type A (Style A only)								
Options (if choosing an option(s) must include an "X")								
C3 - Material traceability report per EN 10204 3.1								X__ C3
CD-5 - Certificate according to NACE for Oilfields MR0175/ISO 15156-2009 and for Refineries MR0103-2010								
P7 - Power piping acc. to ASME B31.1								
2G - Graphite bonnet for high temperatures								
HY - Hydrostatic testing								
MQ - Positive material identification (PMI-Test)								
NH - Stainless steel Tags wired to valve								
TM - 2" Pipe mounting bracket								
5G - Valve attached to instrument								
6B - Cleaned for oxygen service								

Data Sheet

Direct and Remote Mount 3-Valve Manifolds - V02 Series

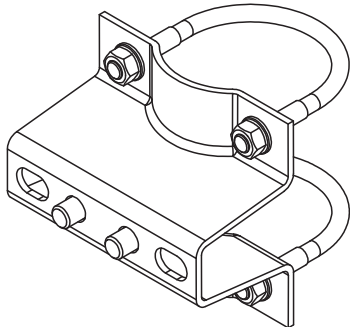
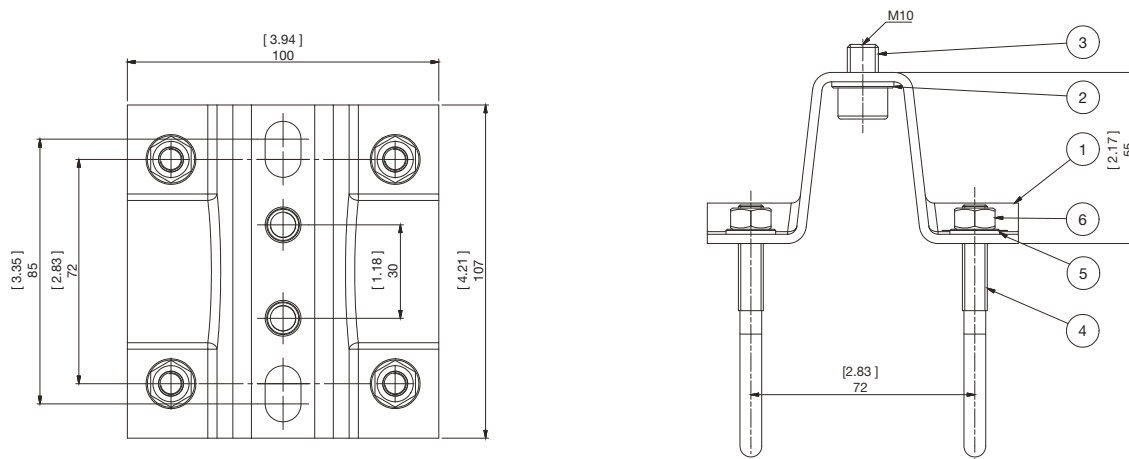
DIMENSIONS (DIMENSIONS IN [] ARE DECIMAL INCHES)

Drawings are for reference only, consult Ashcroft for specific dimensional drawings.



OPTION TM - 2" PIPE MOUNTING BRACKET (DIMENSIONS IN [] ARE DECIMAL INCHES)

Drawings are for reference only, consult Ashcroft for specific dimensional drawings.



Pos.	Description	Material
1	Mounting bracket	316L SS
2	Washer 8,4 DIN 128-B	316 SS
3	Socket head cap screw ISO 4762 -M6x10	316 SS
4	U-bolt M8 for 2" pipe	316 SS
5	Washer 8,4 DIN 128-B	316 SS
6	Hexagon nut DIN EN 24032-M8	316 SS