

Data Sheet

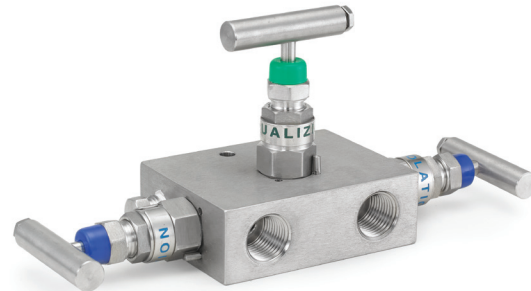
3 & 5 Valve Remote Mount Manifolds - V01 Series

FEATURES

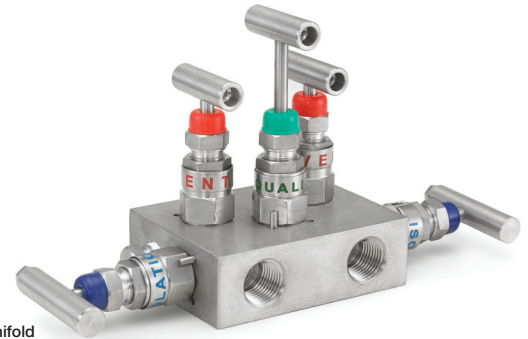
- 3-valve manifolds Isolates each port and equalizes pressure for instrument maintenance
- 5-valve manifolds Isolates and bleed the process for each port and equalizes pressure for instrument maintenance
- Externally adjustable gland
- Reinforced gland body protection
- Blowout protection

TYPICAL USES

- Oil & Gas Industry
- Chemical Industry
- Power Plants



3-Valve Manifold



5-Valve Manifold

SPECIFICATIONS

Process Connection:	½ NPT Female
Instrument Connection:	½ NPT Female (54mm center point)
Construction:	316 Stainless steel
Max. Pressure Rating:	6000 psi (414 bar) at 100°F (38°C)
Max. Temperature Rating:	100°F (38°C)

COMPONENTS

MATERIAL

Wetted

Body	316L Stainless steel
Gland body	316L Stainless steel
Spindle	316L Stainless steel
Needle tip	316L Stainless steel
Washer	316L Stainless steel
Gland seal	PTFE
Plug ¼ NPT Male	316L Stainless steel

Non-Wetted

Gland retainer	304 Stainless steel
Check nut	304 Stainless steel
Handle	304 Stainless steel
Lock pin	304 Stainless steel
Dust cap	P.V.C.

KEY BENEFITS

- Color-coded dust caps prevent dust ingress and identifies handle function
- PTFE Packing (other materials available upon request)

Data Sheet

3 & 5 Valve Remote Mount Manifolds - V01 Series

ORDERING CODE	Example:	50	V01	3VB	SS	50	XP7
Process Connection							
50 - 1/2 NPT Female		50					
Series Code							
V01 - Valve			V01				
Version							
3VB - 3 Valve Manifold				3VB			
5VB - 5 Valve Manifold							
Material							
SS - 316 Stainless steel					SS		
Instrument Connection							
86 - 1/4 NPT Male (swivel for direct mount only)							
50 - 1/2 NPT Female						50	
Options (if choosing an option(s) must include an "X")							
P7 - Power piping acc. to ASME B31.1							X__ P7
2G - Graphite bonnet for high temperatures							
HY - Hydrostatic testing							
MQ - Positive material identification (PMI-Test)							
NH - Stainless steel Tags wired to valve							
TM - 2" Pipe mounting bracket							
5G - Valve attached to instrument (accessory attached must be compatible with instrument)							
6B - Cleaned for oxygen service							

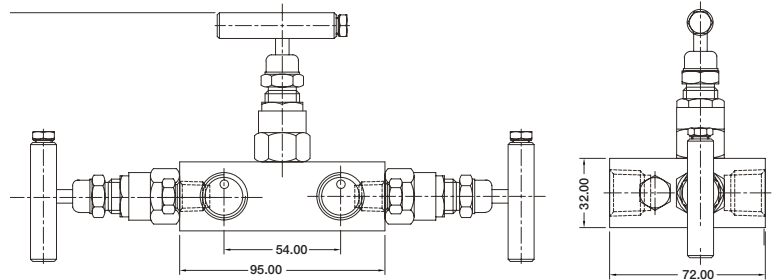
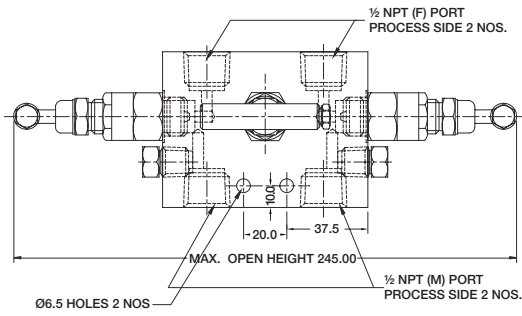
Data Sheet

3 & 5 Valve Remote Mount Manifolds - V01 Series

DIMENSIONS (DIMENSIONS IN [] ARE DECIMAL INCHES)

Drawings are for reference only, consult Ashcroft for specific dimensional drawings.

3-Valve Manifold
(REMOTE MOUNT)



DIMENSIONS (DIMENSIONS IN [] ARE DECIMAL INCHES)

Drawings are for reference only, consult Ashcroft for specific dimensional drawings.

5-Valve Manifold
(REMOTE MOUNT)

