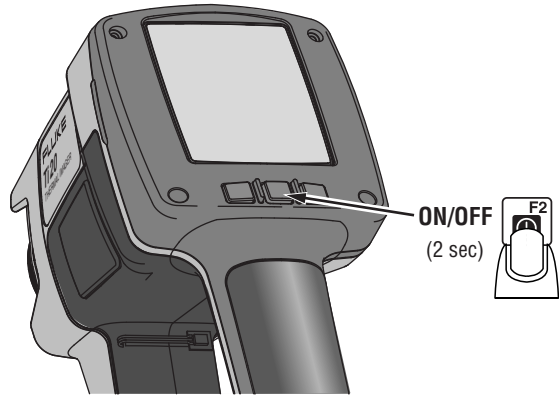


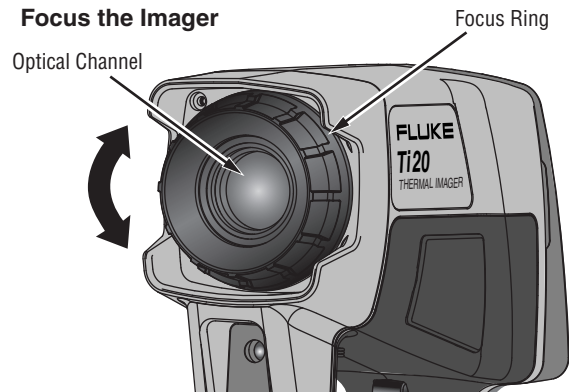
Ti20 Thermal Imager Quick Reference Guide

⚠ See Users Manual for "Safety Information" and complete operating information.

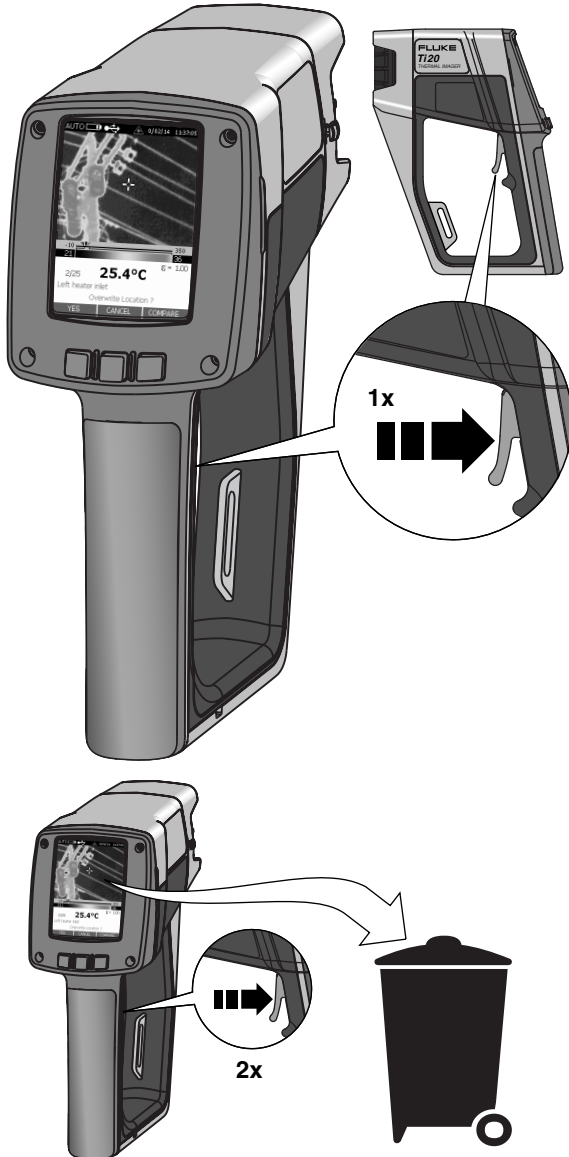
Turning the Imager ON and OFF



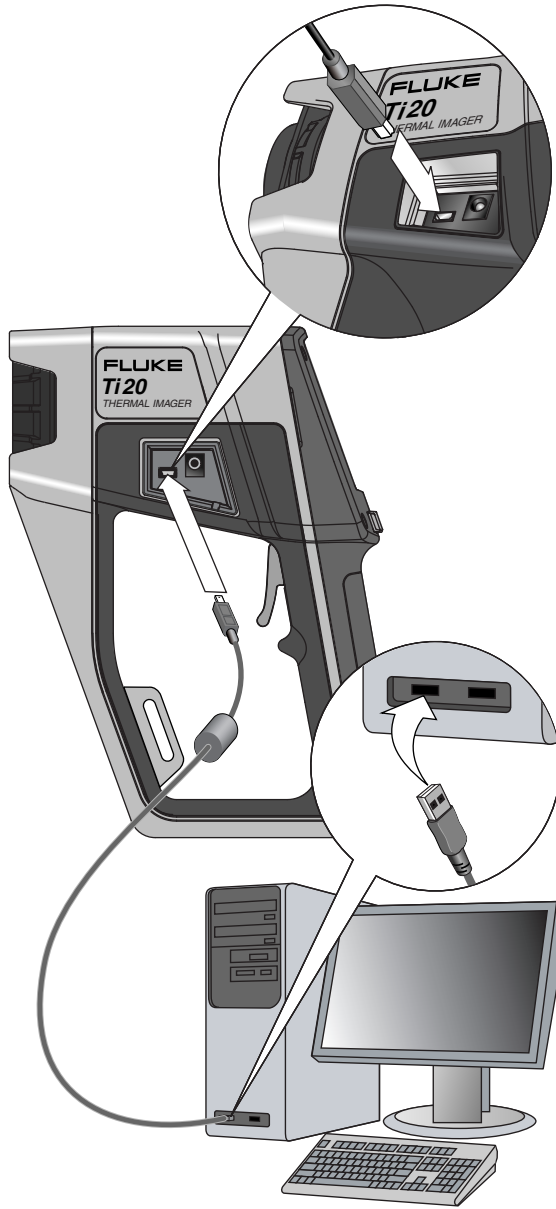
Focus the Imager



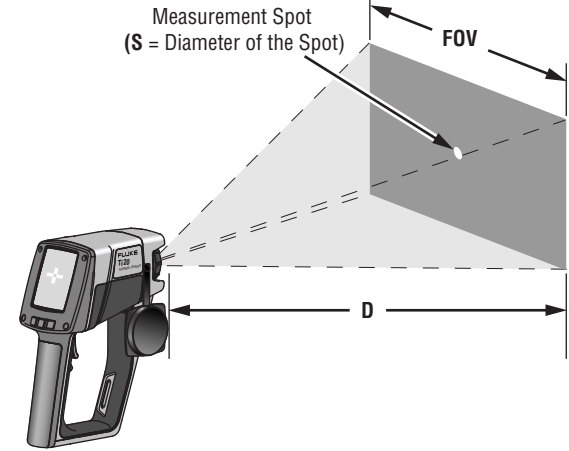
Capturing an Image



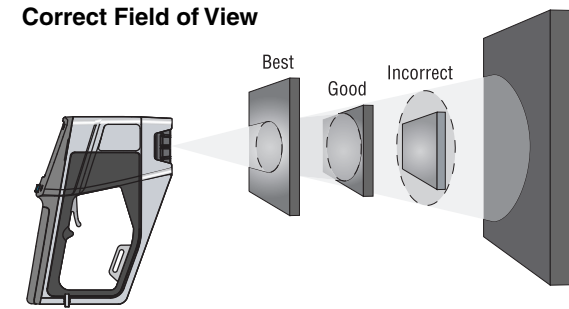
Connecting the USB Cable



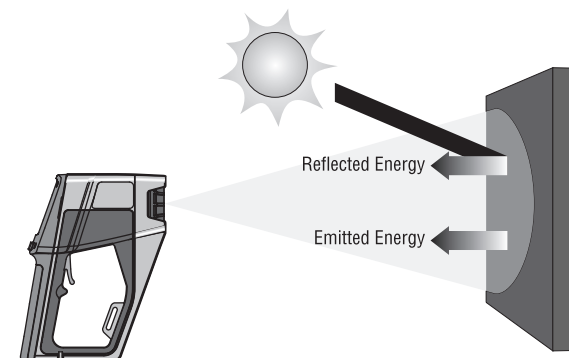
Distance to Spot Size Ratio



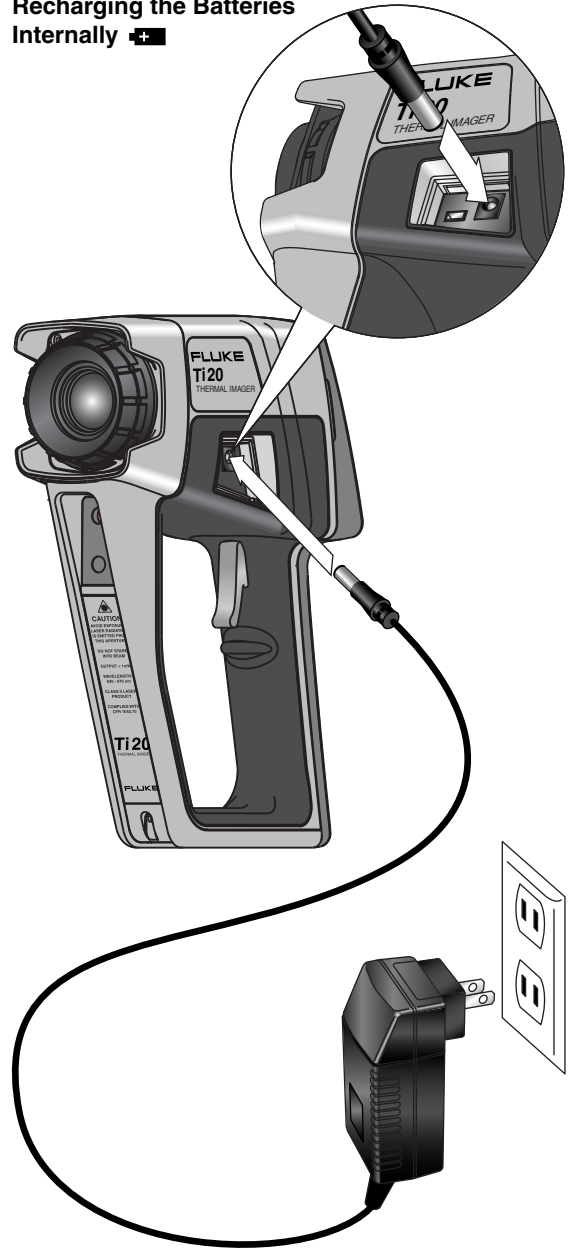
Correct Field of View



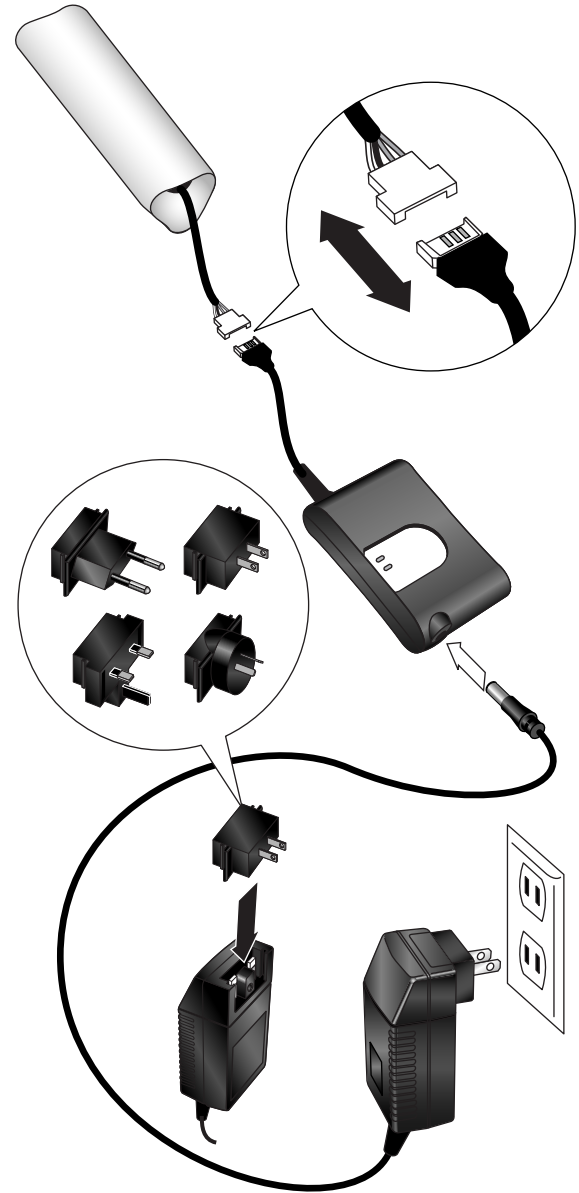
Reflected Temperature Compensation



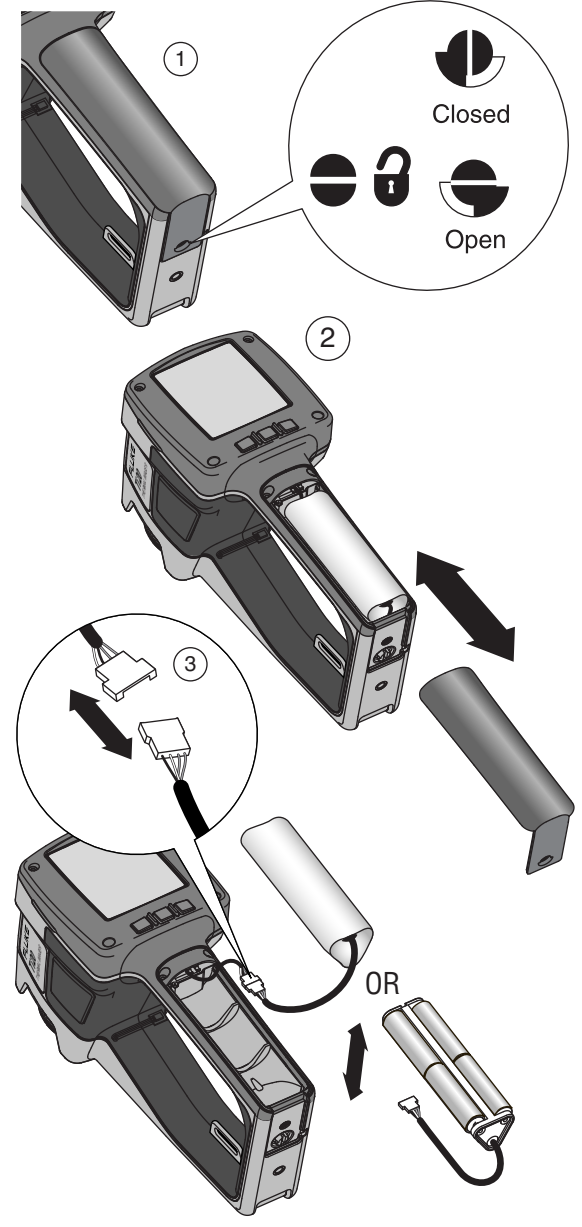
Recharging the Batteries Internally



Recharging the Batteries Externally



Replacing the Batteries



Wrist Strap

