

Ti450 PRO, Ti450 SF6, Ti480 PRO Thermal Imagers

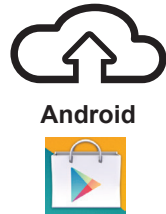
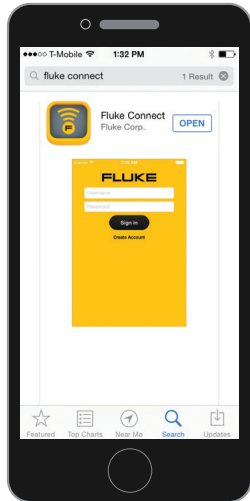


To see *Users Manual* for Safety Information and complete operating information, visit <http://us.fluke.com/user/support/manuals>.

To register your product, visit www.fluke.com.

To download SmartView® software, visit www.fluke.com/smartviewdownload.

Install Fluke Connect® App



1. Start the Fluke Connect Mobile App.
2. Log in to the app.

Go to www.flukeconnect.com

WiFi Setup

1

2

F2 > MENU > Fluke Connect >
Pair to Fluke Connect Mobile App (WiFi : ON)

3

iOS Settings / Android Settings

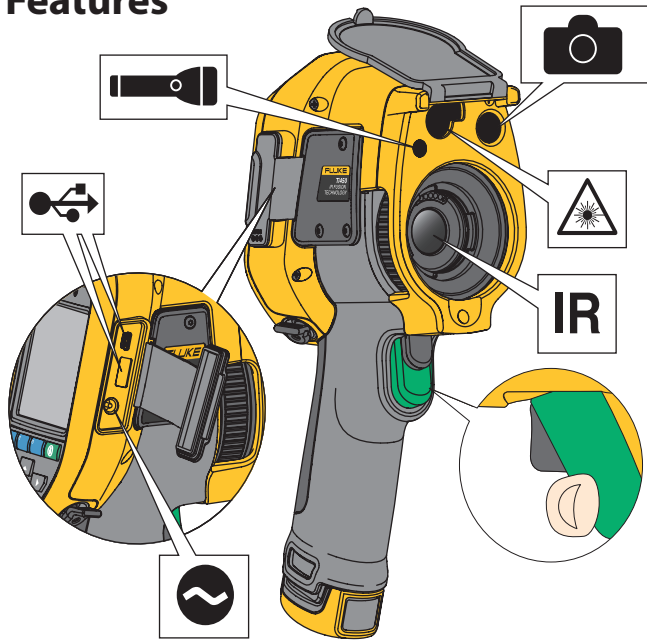
4

5

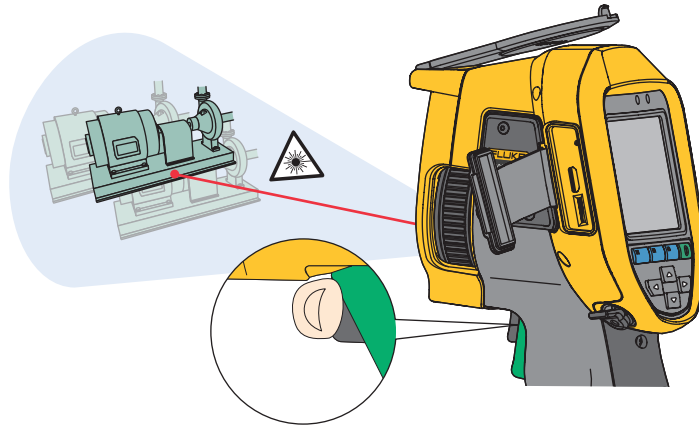
6 Capture

7 Save

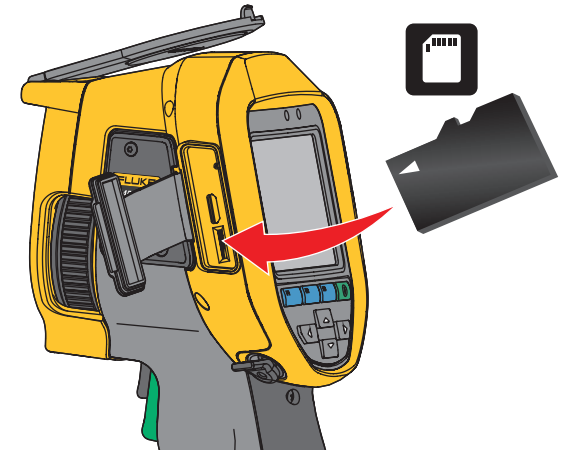
Features



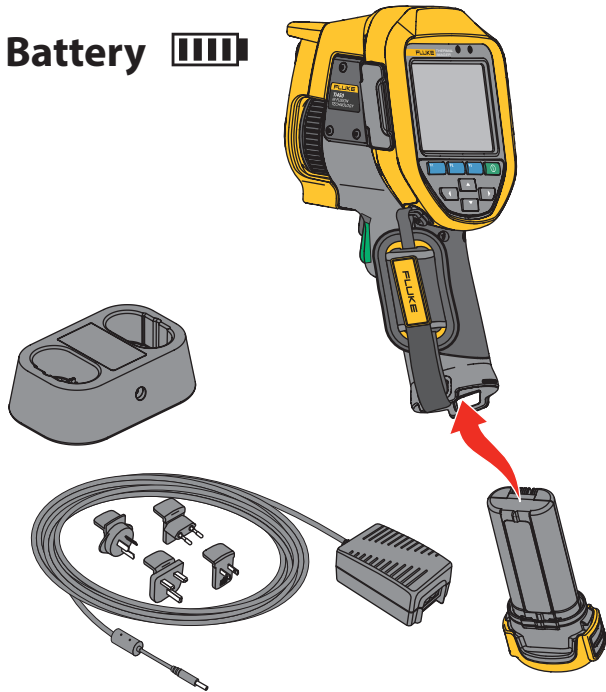
LaserSharp Auto Focus® Capture



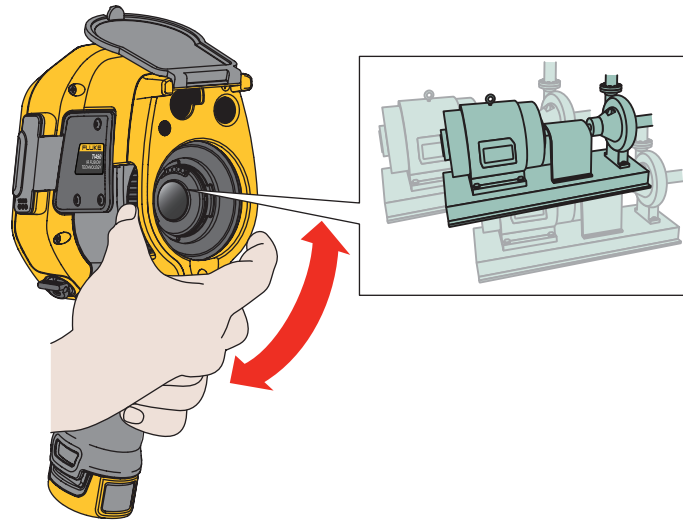
Micro SD Memory Card



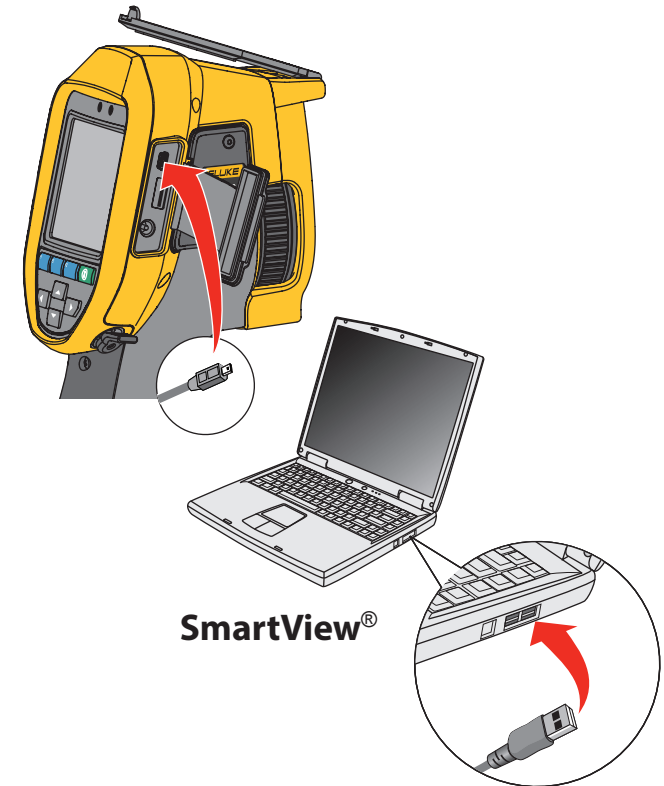
Battery



Manual Focus



USB Connector



SmartView®