

Technical Information

Cerabar PMP43

4-20mA analog

Pressure measurement



Compact digital transmitter with metal process membrane

Application areas

- Reliable, repeatable and stable pressure measurement and hydrostatic level measurement
- Pressure measuring range: up to 100 bar (1 500 psi)
- Process temperature: up to 200 °C (392 °F)
- Accuracy: up to $\pm 0.075\%$

Benefits

- Perfect cleanability thanks to fully welded design
- Easy guided commissioning with intuitive user interface
- Colored display with backlight and touch operation
- Bluetooth® wireless technology for commissioning, operation and maintenance
- CIP and SIP capabilities - up to protection class IP69

Table of contents

About this document	3	Process	14
Symbols	3	Process temperature	14
List of abbreviations	3	Process pressure range	14
Turn down calculation	4	Cleaned of oil and grease	15
Graphic conventions	5		
Function and system design	5	Mechanical construction	16
Measuring principle	5	Design, dimensions	16
Measuring system	5	Dimensions	17
Communication and data processing	5	Weight	35
Reliability	6	Materials	35
		Surface roughness	35
Input	6	User interface	35
Measured variable	6	Languages	35
Measuring range	6	LED indicator	36
		Onsite display	36
Output	7	Remote operation	37
Output signal	7	Supported operating tools	37
Signal on alarm for devices with current output	7		
Load	7	Certificates and approvals	37
Damping	8	Hygienic design compliance	37
Ex connection data	8	Compliance with requirements derived from cGMP	38
		TSE (BSE) compliance (ADI free - Animal Derived Ingredients)	38
Energy supply	8	ASME BPE	38
Terminal assignment	8		
Available device plugs	8	Order information	38
Supply voltage	8	Identification	38
Power consumption	8	Service	39
Potential equalization	8		
Overvoltage protection	9	Accessories	39
		Device-specific accessories	39
Performance characteristics	9	Device Viewer	39
Reference operating conditions	9	Field Xpert SMT70	39
Resolution	9	Field Xpert SMT77	40
Total performance	9	SmartBlue app	40
Measurement uncertainty for small absolute pressure measuring ranges	10		
Total error	11	Documentation	40
Long-term stability	11	Standard documentation	40
Response time	11	Supplementary device-dependent documentation	40
Warm-up time	11		
		Registered trademarks	40
Mounting	11		
Mounting position	11		
Mounting instructions	11		
Environment	11		
Ambient temperature range	11		
Storage temperature	13		
Operating height	13		
Climate class	13		
Degree of protection	13		
Pollution degree	13		
Vibration resistance	13		
Shock resistance	14		
Electromagnetic compatibility (EMC)	14		

About this document

Symbols

Safety symbols

⚠ DANGER

This symbol alerts you to a dangerous situation. Failure to avoid this situation will result in serious or fatal injury.

⚠ WARNING

This symbol alerts you to a potentially dangerous situation. Failure to avoid this situation can result in serious or fatal injury.

⚠ CAUTION

This symbol alerts you to a potentially dangerous situation. Failure to avoid this situation can result in minor or medium injury.

ℹ NOTICE

This symbol alerts you to a potentially harmful situation. Failure to avoid this situation can result in damage to the product or something in its vicinity.

Communication-specific symbols


Bluetooth®: 

Wireless data transmission between devices over a short distance

Symbols for certain types of information


Permitted: 


Procedures, processes or actions that are permitted.

Forbidden: 


Procedures, processes or actions that are forbidden.

Additional information: 

Reference to documentation: 

Reference to page: 

Series of steps: [1.](#), [2.](#), [3.](#)

Result of an individual step: 

Symbols in graphics

Item numbers: 1, 2, 3 ...

Series of steps: [1.](#), [2.](#), [3.](#)

Views: A, B, C, ...

List of abbreviations

PN

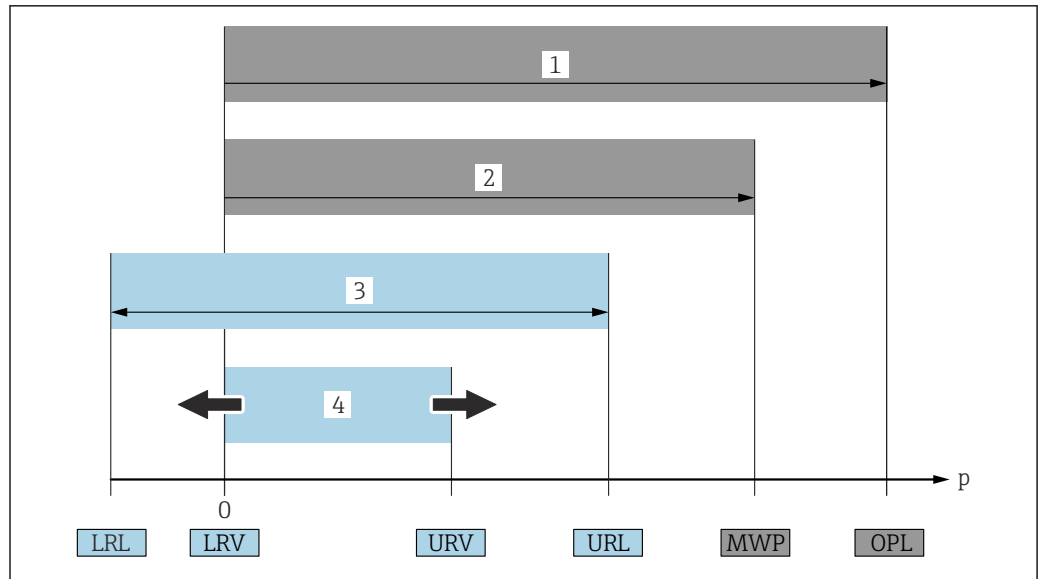
Nominal pressure

Operating tool

The term "operating tool" is used in place of the following operating software:
SmartBlue app, for operation using an Android or iOS smartphone or tablet

PLC

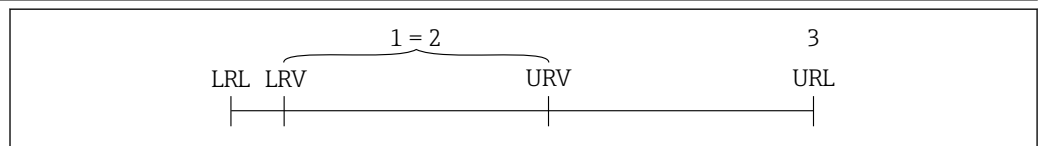
Programmable logic controller (PLC)



A0029505

- 1 OPL: The OPL (overpressure limit) for the device depends on the lowest-rated element, with regard to pressure, of the selected components, i.e. the process connection must be taken into consideration in addition to the measuring cell. Observe pressure-temperature dependency. The OPL may only be applied for a short period of time.
 - 2 MWP: The MWP (maximum working pressure) for the measuring cells depends on the lowest-rated element, with regard to pressure, of the selected components, i.e. the process connection also has to be taken into consideration besides the measuring cell. Observe pressure-temperature dependency. The maximum working pressure may be applied at the device for an unlimited period of time. The maximum working pressure can be found on the nameplate.
 - 3 The maximum measuring range corresponds to the span between the LRL and URL. This measuring range is equivalent to the maximum span that can be calibrated/adjusted.
 - 4 The calibrated/adjusted span corresponds to the span between the LRV and URV. Factory setting: 0 to URL. Other calibrated spans can be ordered as customized spans.
- p Pressure
 LRL Lower range limit
 URL Upper range limit
 LRV Lower range value
 URV Upper range value
 TD Turn down Example - see the following section.

Turn down calculation



A0029545

- 1 Calibrated/adjusted span
- 2 Zero point-based span
- 3 Upper range limit

Example:

- Measuring cell: 10 bar (150 psi)
- Upper range limit (URL) = 10 bar (150 psi)
- Calibrated/adjusted span: 0 to 5 bar (0 to 75 psi)
- Lower range value (LRV) = 0 bar (0 psi)
- Upper range value (URV) = 5 bar (75 psi)

$$TD = \frac{URL}{|URV - LRV|}$$

In this example, the TD is therefore 2:1. This measuring span is based on the zero point.

Graphic conventions

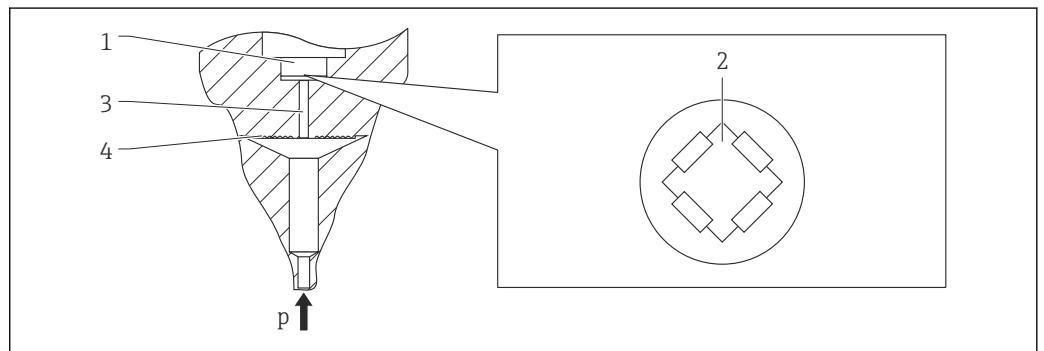


- Installation, explosion and electrical connection drawings are presented in simplified format
- Devices, assemblies, components and dimensional drawings are presented in reduced-line format
- Dimensional drawings are not to-scale representations; the dimensions indicated are rounded off to 2 decimal places
- Unless otherwise described, flanges are presented with sealing surface form EN 1092-1; ASME B16.5, RF.

Function and system design

Measuring principle

Metallic membrane



A0016448

- 1 Measuring element
- 2 Wheatstone bridge
- 3 Channel with fill fluid
- 4 Metallic membrane
- p Pressure

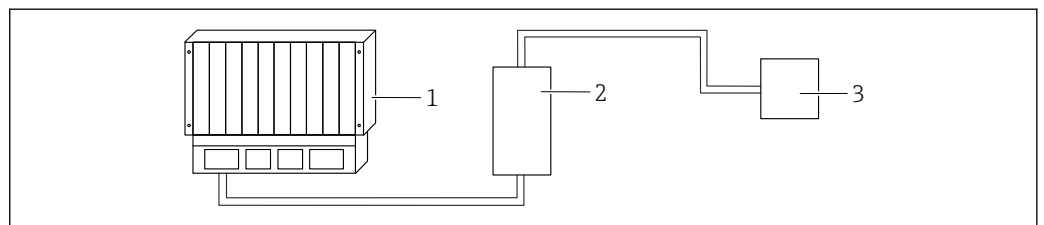
The applied pressure deflects the metallic membrane of the measuring cell. A fill fluid transfers the pressure to a Wheatstone bridge (semiconductor technology). The pressure-dependent change in the bridge output voltage is measured and evaluated.

Advantages:

- Can be used for high process temperatures
- Condensate-resistant
- High long-term stability
- High overload resistance

Measuring system

A complete measuring system comprises:



A0053220

- 1 PLC (programmable logic controller)
- 2 RMA42/RIA45 (if necessary)
- 3 Device

Communication and data processing

Bluetooth (optional)

Reliability**IT security**

Our warranty is valid only if the product is installed and used as described in the Operating Instructions. The product is equipped with security mechanisms to protect it against any inadvertent changes to the settings.

IT security measures, which provide additional protection for the product and associated data transfer, must be implemented by the operators themselves in line with their security standards.

Input

Measured variable**Measured process variables**

- Absolute pressure
- Gauge pressure

Calculated process variables

Pressure

Measuring range

Depending on the device configuration, the maximum working pressure (MWP) and the overpressure limit (OPL) can deviate from the values in the tables.

Absolute pressure

Measuring cell	Maximum measuring range		Smallest factory-calibratable span	
	lower (LRL)	upper (URL)	Standard	Platinum
	[bar (psi)]	[bar (psi)]	[bar (psi)]	
400 mbar (6 psi)	0	+0.4 (+6)	0.05 (0.75) ¹⁾	80 mbar (1.2 psi)
1 bar (15 psi)	0	+1 (+15)	0.05 (0.75) ²⁾	200 mbar (3 psi)
2 bar (30 psi)	0	+2 (+30)	0.10 (1.50) ²⁾	400 mbar (6 psi)
4 bar (60 psi)	0	+4 (+60)	0.20 (3.00) ²⁾	800 mbar (12 psi)
10 bar (150 psi)	0	+10 (+150)	0.50 (7.50) ²⁾	2 bar (30 psi)
40 bar (600 psi)	0	+40 (+600)	2.00 (30.0) ²⁾	8 bar (120 psi)
100 bar (1 500 psi)	0	+100 (+1500)	5.00 (73) ²⁾	20 bar (300 psi)

1) Largest factory-configurable turn down: 8:1

2) Largest factory-configurable turn down: 20:1

Absolute pressure

Measuring cell	MWP	OPL	Factory settings ¹⁾
	[bar (psi)]	[bar (psi)]	
400 mbar (6 psi)	1 (14.5)	1.6 (23)	0 to 400 mbar (0 to 6 psi)
1 bar (15 psi)	2.7 (39)	4 (58)	0 to 1 bar (0 to 15 psi)
2 bar (30 psi)	6.7 (97)	10 (145)	0 to 2 bar (0 to 30 psi)
4 bar (60 psi)	10.7 (155)	16 (232)	0 to 4 bar (0 to 60 psi)
10 bar (150 psi)	25 (362)	40 (580)	0 to 10 bar (0 to 150 psi)
40 bar (600 psi)	100 (1450)	160 (2320)	0 to 40 bar (0 to 600 psi)
100 bar (1 500 psi)	103.5 (1500)	160 (2320)	0 to 100 bar (0 to 1 500 psi)

1) Different measuring ranges (e.g. -1 to +5 bar (-15 to +75 psi)) can be ordered with customized settings. It is possible to invert the output signal (LRV = 20 mA; URV = 4 mA). Prerequisite: URV < LRV

Gauge pressure

Measuring cell	Maximum measuring range		Smallest factory-calibratable span ¹⁾	
	lower (LRL)	upper (URL)	Standard	Platinum
	[bar (psi)]	[bar (psi)]	[bar (psi)]	
400 mbar (6 psi)	-0.4 (-6)	+0.4 (+6)	0.05 (0.75) ²⁾	80 mbar (1.2 psi)
1 bar (15 psi)	-1 (-15)	+1 (+15)	0.05 (0.75) ³⁾	200 mbar (3 psi)
2 bar (30 psi)	-1 (-15)	+2 (+30)	0.10 (1.50) ³⁾	400 mbar (6 psi)
4 bar (60 psi)	-1 (-15)	+4 (+60)	0.20 (3.00) ³⁾	800 mbar (12 psi)
10 bar (150 psi)	-1 (-15)	+10 (+150)	0.50 (7.50) ³⁾	2 bar (30 psi)
25 bar (375 psi)	-1 (-15)	+25 (+375)	1.25 (18.50) ³⁾	5 bar (75 psi)
40 bar (600 psi)	-1 (-15)	+40 (+600)	2.00 (30.00) ³⁾	8 bar (120 psi)
100 bar (1 500 psi)	-1 (-15)	+100 (+1500)	5.00 (73) ³⁾	20 bar (300 psi)

- 1) Largest factory-configurable turn down: 5:1.
- 2) Largest factory-configurable turn down: 8:1
- 3) Largest factory-configurable turn down: 20:1

Gauge pressure

Measuring cell	MWP	OPL	Factory settings ¹⁾
	[bar (psi)]	[bar (psi)]	
400 mbar (6 psi)	1 (14.5)	1.6 (23)	0 to 400 mbar (0 to 6 psi)
1 bar (15 psi)	2.7 (39)	4 (58)	0 to 1 bar (0 to 15 psi)
2 bar (30 psi)	6.7 (97)	10 (145)	0 to 2 bar (0 to 30 psi)
4 bar (60 psi)	10.7 (155)	16 (232)	0 to 4 bar (0 to 60 psi)
10 bar (150 psi)	25 (363)	40 (580)	0 to 10 bar (0 to 150 psi)
25 bar (375 psi)	25.8 (375)	100 (1450)	0 to 25 bar (0 to 375 psi)
40 bar (600 psi)	100 (1450)	160 (2320)	0 to 40 bar (0 to 600 psi)
100 bar (1 500 psi)	103.5 (1500)	160 (2320)	0 to 100 bar (0 to 1 500 psi)

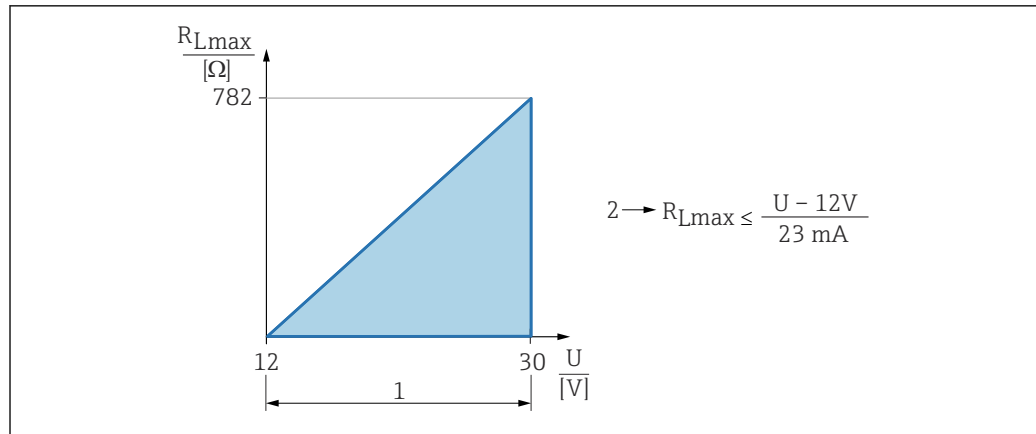
- 1) Different measuring ranges (e.g. -1 to +5 bar (-15 to +75 psi)) can be ordered with customized settings. It is possible to invert the output signal (LRV = 20 mA; URV = 4 mA). Prerequisite: URV < LRV

Output

Output signal 2-wire 4 to 20 mA

Signal on alarm for devices with current output Signal on alarm in accordance with NAMUR recommendation NE 43.

Load In order to guarantee sufficient terminal voltage, a maximum load resistance R_L (including line resistance) must not be exceeded, depending on the supply voltage U of the supply unit.



- 1 Power supply 12 to 30 V
- 2 R_{Lmax} maximum load resistance
- U Supply voltage


If load is too great:

- Failure current is indicated and error message is displayed (indication: MIN alarm current)
- Periodic checking to establish if it is possible to quit fault state

Damping

A damping affects all continuous outputs.
 Factory setting: 1 s (can be configured from 0 to 999 s)

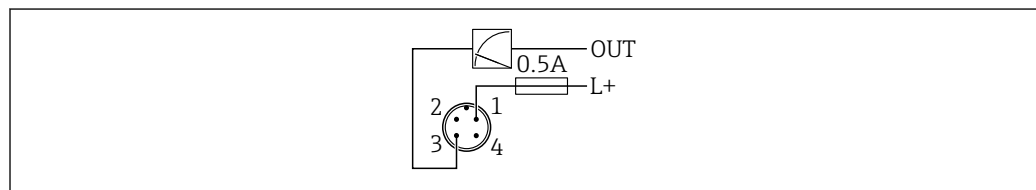
Ex connection data

 See the separate technical documentation (Safety Instructions (XA)) on www.endress.com/download.

Energy supply

Terminal assignment


2-wire



- 1 Supply voltage L+, brown wire (BN)
- 3 OUT (L-), blue wire (BU)

Available device plugs

M12 plug

 For further information, see the "Device-specific accessories" section

Supply voltage

12 to 30 V_{DC} on a direct current power unit
 A suitable circuit breaker should be provided for the device in accordance with IEC/EN 61010-1.
 Protective circuits against reverse polarity, HF influences and overvoltage peaks are installed.

Power consumption

Non-hazardous area: To meet device safety specifications according to the IEC/EN 61010 standard, the installation must ensure that the maximum current is limited to 500 mA.

Potential equalization

If necessary, establish potential equalization using the process connection or the grounding clamp supplied by the customer.

Overvoltage protection

The device satisfies the IEC/DIN EN 61326-1 product standard (Table 2 Industrial environment). Depending on the type of connection (DC power supply, input line, output line), different test levels are used to prevent transient overvoltages (IEC/DIN EN 61000-4-5 Surge) in accordance with IEC/DIN EN 61326-1: Test level for DC power supply lines and IO lines: 1 000 V wire to ground.

Overvoltage category

In accordance with IEC/DIN EN 61010-1, the device is intended for use in networks with overvoltage protection category II.

Performance characteristics

Reference operating conditions

- As per IEC 62828-2
- Ambient temperature T_A = constant, in the range of +21 to +33 °C (+70 to +91 °F)
- Humidity φ = constant, in the range of: 5 to 80 % RH \pm 5 %
- Atmospheric pressure p_A = constant, in the range of: 860 to 1 060 mbar (12.47 to 15.37 psi)
- Supply voltage: $24 V_{DC} \pm 3 V_{DC}$
- Position of the measuring cell: horizontal $\pm 1^\circ$
- Input of LOW SENSOR TRIM and HIGH SENSOR TRIM for lower range value and upper range value
- Zero based span
- Turn down (TD) = $URL / |URV - LRV|$

Resolution

Current output: < 1 μ A

Total performance

The performance characteristics refer to the accuracy of the device. The factors influencing accuracy can be divided into two groups:

- Total performance of device
- Installation factors

All of the performance characteristics meet the requirement of $\geq \pm 3$ sigma.

The total performance of the device comprises the reference accuracy and the ambient temperature effect and is calculated using the following formula:

$$\text{Total performance} = \pm \sqrt{(E1)^2 + (E2)^2}$$

E1 = Reference accuracy

E2 = Temperature effect

Calculation of E2:

Temperature effect per $\pm 28^\circ\text{C}$ (50 °F)

(corresponds to a range of -3 to $+53^\circ\text{C}$ (+27 to +127 °F))

$$E2 = E2_M + E2_E$$

$E2_M$ = Main temperature error

$E2_E$ = Electronics error

The values refer to the calibrated span. The measuring span is based on the zero point.

Reference accuracy [E1]

The reference accuracy comprises the non-linearity according to the limit point method, pressure hysteresis and non-repeatability in accordance with [IEC 61298-2].

Platinum not for flush-mounted process connections Clamp DN22, G ½.

Measuring cell	Standard	Platinum
400 mbar (6 psi)	TD 1:1 = $\pm 0.2\%$ TD > 1:1 to 10:1 = $\pm 0.5\% \cdot \text{TD}$	-
1 bar (15 psi)	TD 1:1 = $\pm 0.1\%$ TD > 1:1 to 10:1 = $\pm 0.3\% \cdot \text{TD}$	TD 1:1 = $\pm 0.1\%$ TD > 1:1 to 10:1 = $\pm 0.2\% \cdot \text{TD}$
2 bar (30 psi)	TD 1:1 to 5:1 = $\pm 0.1\%$ TD > 5:1 to 10:1 = $\pm 0.2\%$	TD 1:1 to 5:1 = $\pm 0.075\%$ TD > 5:1 to 10:1 = $\pm 0.1\%$

Measuring cell	Standard	Platinum
4 bar (60 psi) 10 bar (150 psi) 25 bar (375 psi)	TD 1:1 to 10:1 = ± 0.1 % TD > 10:1 to 20:1 = ± 0.2 %	TD 1:1 to 10:1 = ± 0.075 % TD > 10:1 to 20:1 = ± 0.1 %
40 bar (600 psi)	TD 1:1 to 10:1 = ± 0.1 % TD > 10:1 to 20:1 = ± 0.3 %	TD 1:1 to 5:1 = ± 0.075 % TD > 5:1 to 10:1 = ± 0.15 %
100 bar (1 500 psi)	TD 1:1 to 10:1 = ± 0.1 % TD > 10:1 to 20:1 = ± 0.2 %	TD 1:1 to 10:1 = ± 0.075 % TD > 10:1 to 20:1 = ± 0.15 %

Temperature effect [E2]

$E2_M$ - Main temperature error

The output changes due to the effect of the ambient temperature [IEC 62828-1] with respect to the reference temperature [DIN 62828-1]. The values specify the maximum error due to min./max. ambient or process temperature conditions.

Application feature: Process temperature +100 °C (+212 °F), process temperature +130 °C (+266 °F) (+150 °C (+302 °F) max. 1h), process temperature +150 °C (+302 °F)

- 400 mbar (6 psi) measuring cell
 - Process connection Clamp 1", DIN11851 DN25, Neumo BioControl DN25, NPT 3/4", NPT 1", G1" flush mount, G1" with O-ring, G1" with sealing taper, Aseptoflex: $\pm(1.05 \% \cdot TD + 0.10 \%)$
 - Process connection SMS 1", Ingold connection: $\pm(1.55 \% \cdot TD + 0.10 \%)$
 - Process connection MNPT1/2 bore 11.4 mm, MPNT1/2 FNPT1/4, G1/2" EN837, G1/2 bore 11.4 mm, M20 x 1.5: $\pm(0.20 \% \cdot TD + 0.10 \%)$
 - All other process connections: $\pm(0.63 \% \cdot TD + 0.10 \%)$
- 1 bar (15 psi) measuring cell
 - Process connection Clamp 1", DIN11851 DN25, Neumo BioControl DN25, NPT 3/4", NPT 1", G1" flush mount, G1" with O-ring, G1" with sealing taper, Aseptoflex: $\pm(0.42 \% \cdot TD + 0.10 \%)$
 - Process connection SMS 1", Ingold connection: $\pm(0.62 \% \cdot TD + 0.10 \%)$
 - All other process connections: $\pm(0.25 \% \cdot TD + 0.10 \%)$
- 2 bar (30 psi) measuring cell
 - Process connection SMS 1", Ingold connection: $\pm(0.35 \% \cdot TD + 0.10 \%)$
 - All other process connections: $\pm(0.25 \% \cdot TD + 0.10 \%)$
- 4 bar (60 psi), 10 bar (150 psi), 25 bar (375 psi), 40 bar (600 psi) and 100 bar (1 500 psi) measuring cell
 $\pm(0.20 \% \cdot TD + 0.10 \%)$

Application feature: Process temperature +200 °C (+392 °F)

- 400 mbar (6 psi) measuring cell
 - Process connection Clamp 1", Clamp 1 1/2", DIN11851 DN25, Neumo BioControl DN25, NPT 3/4", NPT 1", G1" flush mount, G1" with O-ring, G1" with sealing taper, Aseptoflex: $\pm(1.47 \% \cdot TD + 0.10 \%)$
 - Process connection SMS 1": $\pm(1.75 \% \cdot TD + 0.10 \%)$
 - All other process connections: $\pm(0.63 \% \cdot TD + 0.10 \%)$
- 1 bar (15 psi) measuring cell
 - Process connection Clamp 1", DIN 11851 DN25, Neumo BioControl DN25, NPT 3/4", NPT 1", G1" flush mount, G1" installation, G1" with sealing taper: $\pm(0.59 \% \cdot TD + 0.10 \%)$
 - Process connection SMS 1", Ingold connection: $\pm(0.7 \% \cdot TD + 0.10 \%)$
 - All other process connections: $\pm(0.25 \% \cdot TD + 0.10 \%)$
- 2 bar (30 psi) measuring cell
 - Process connection SMS 1": $\pm(0.4 \% \cdot TD + 0.10 \%)$
 - All other process connections: $\pm(0.25 \% \cdot TD + 0.10 \%)$
- 4 bar (60 psi), 10 bar (150 psi), 25 bar (375 psi), 40 bar (600 psi) and 100 bar (1 500 psi) measuring cell
 $\pm(0.20 \% \cdot TD + 0.10 \%)$

$E2_E$ - Electronics error

Analog output (4 to 20 mA): 0.2 %

Measurement uncertainty for small absolute pressure measuring ranges

The smallest expanded measurement uncertainty that can be passed on by our measurement standards:

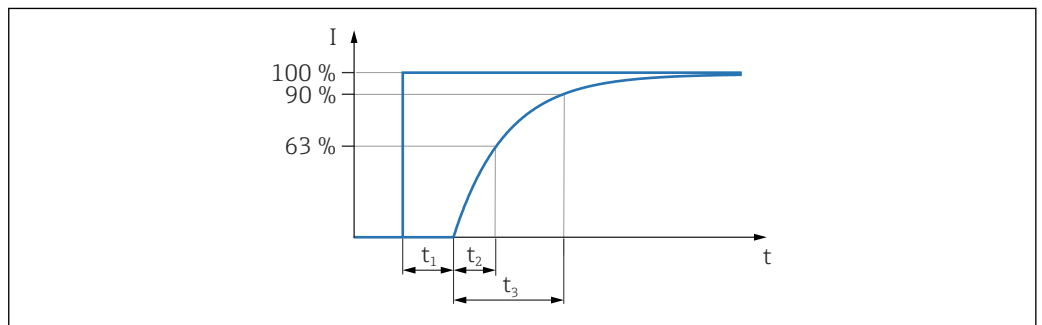
- In the range of 1 to 30 mbar (0.0145 to 0.435 psi): 0.4 % of reading
- In the range of < 1 mbar (0.0145 psi): 1 % of reading

Total error The total error of the device comprises the total performance and the long-term stability effect and is calculated using the following formula:
 Total error = total performance + long-term stability

Long-term stability The specifications refer to the upper range limit (URL).

- 1 year: ±0.2 %
- 5 years: ±0.4 %
- 10 years: ±0.5 %
- 15 years: ±0.6 %

Response time **Dead time, time constant**
 Representation of dead time and time constant as per IEC62828-1:



A0019786

Step response time = dead time (t_1) + time constant T90 (t_3) according to IEC62828-1

Dynamic behavior, current output

- Dead time (t_1): maximum 50 ms
- Time constant T63 (t_2): maximum 40 ms
- Time constant T90 (t_3): maximum 50 ms

Warm-up time The warm-up time (in accordance with IEC 62828-4) indicates the time required for the device to reach its maximum accuracy or performance after the supply voltage is energized.
 Warm-up time: ≤ 10 s

Mounting

Mounting position The orientation depends on the measuring application and can cause a zero point shift (when the vessel is empty, the measured value does not show zero). The zero point shift can be corrected electronically with the device.

Mounting instructions

- During installation, it is important to ensure that the sealing element used has a permanent operating temperature that corresponds to the maximum temperature of the process
- Devices are suitable for use in wet environments in accordance with IEC/DIN EN 61010-1
- The devices are mounted according to the same guidelines as manometers
- Protect housing against impact
- Devices with CSA approval are intended for indoor use

Environment

Ambient temperature range -40 to +85 °C (-40 to +185 °F)

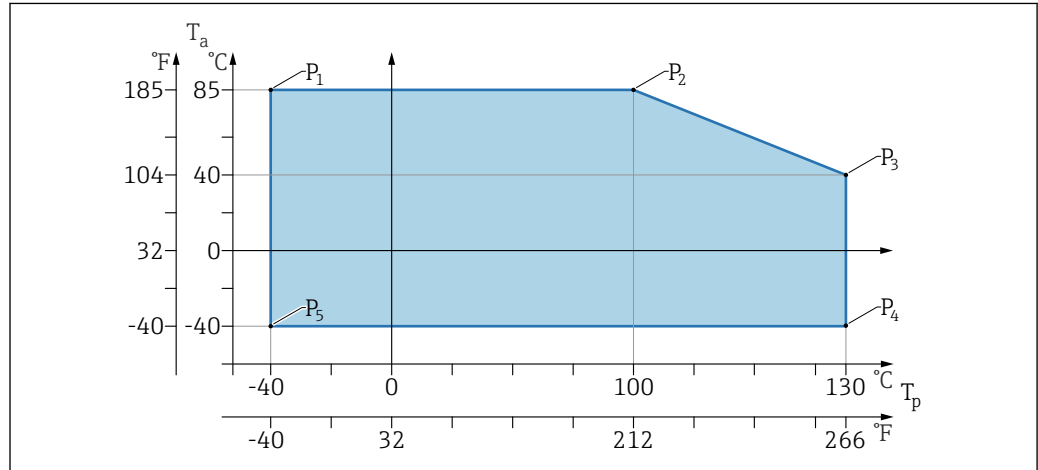
The permitted ambient temperature is reduced at higher process temperatures.

i The following information only takes into account functional aspects. Additional restrictions may apply for certified device versions.

The permitted process temperature varies, depending on the process connection used. For an overview of the process connections, see Section "Process temperature range".

Maximum process temperature +130 °C (+266 °F)

(Product feature "Application"; order option "B")

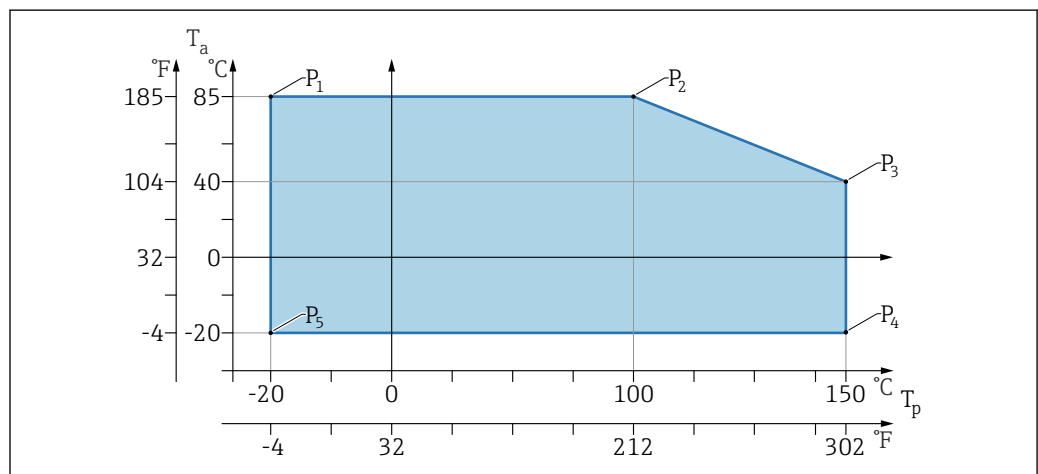


1 Ambient temperature T_a depending on the process temperature T_p

P	T_p	T_a
P1	-40 °C (-40 °F)	+85 °C (+185 °F)
P2	+100 °C (+212 °F)	+85 °C (+185 °F)
P3	+130 °C (+266 °F)	+40 °C (+77 °F)
P4	+130 °C (+266 °F)	-40 °C (-40 °F)
P5	-40 °C (-40 °F)	-40 °C (-40 °F)

Maximum process temperature +150 °C (+302 °F)

(Product feature "Application"; order option "C")

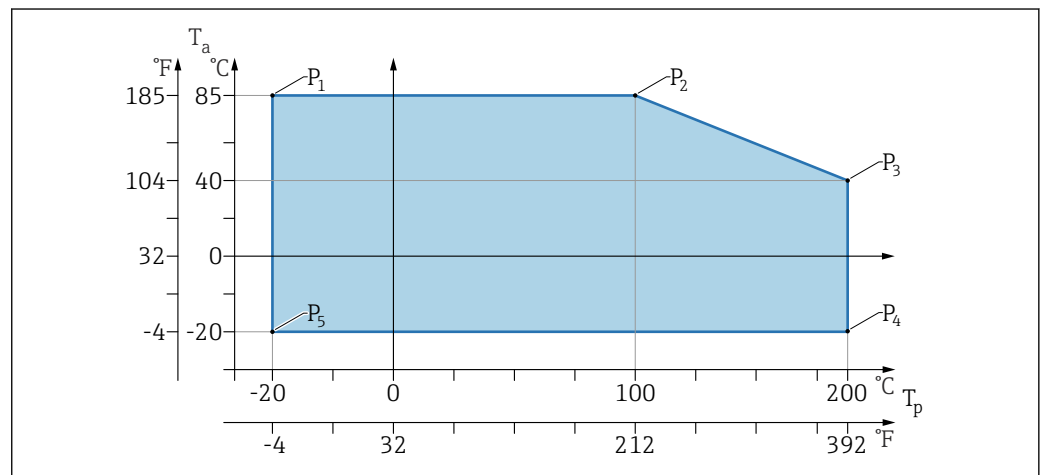


2 Ambient temperature T_a depending on the process temperature T_p

P	T _p	T _a
P1	-20 °C (-4 °F)	+85 °C (+185 °F)
P2	+100 °C (+212 °F)	+85 °C (+185 °F)
P3	+150 °C (+302 °F)	+40 °C (+77 °F)
P4	+150 °C (+302 °F)	-20 °C (-4 °F)
P5	-20 °C (-4 °F)	-20 °C (-4 °F)

Maximum process temperature +200 °C (+392 °F)

(Product feature "Application"; order option "D")



3 Ambient temperature T_a depending on the process temperature T_p

P	T _p	T _a
P1	-20 °C (-4 °F)	+85 °C (+185 °F)
P2	+100 °C (+212 °F)	+85 °C (+185 °F)
P3	+200 °C (+392 °F)	+40 °C (+77 °F)
P4	+200 °C (+392 °F)	-20 °C (-4 °F)
P5	-20 °C (-4 °F)	-20 °C (-4 °F)

Storage temperature -40 to +85 °C (-40 to +185 °F)

Operating height Up to 5 000 m (16 404 ft) above sea level

Climate class According to IEC 60068-2-38 test Z/AD (relative humidity 4 to 100 %).

Degree of protection Test as per IEC 60529 Edition 2.2 2013-08/ DIN EN 60529:2014-09 and NEMA 250-2014
For mounted M12 connecting cable: IP66/68/69, NEMA type 4X/6P
/IP68,; (1.83 mH₂O for 24 h))

Pollution degree Pollution degree 2 according to IEC/EN 61010-1.

Vibration resistance

- Stochastic noise (random sweep) according to IEC/DIN EN 60068-2-64 Case 2
- Guaranteed for 5 to 2 000 Hz: 1.25 (m/s²)/Hz, ~ 5 g
- Sinusoidal vibration according to IEC 62828-1:2017 with 10 to 60 Hz ±0.35 mm; 60 to 1 000 Hz 5 g

Shock resistance

- Testing standard: IEC/DIN EN 60068-2-27 Case 2
- Shock resistance: 30 g (18 ms) in all 3 axes

Electromagnetic compatibility (EMC)

- Electromagnetic compatibility as per IEC/DIN EN 61326 series and NAMUR recommendation EMC (NE21)
- Maximum deviation under interference influence: < 0.5 %

For more details refer to the EU Declaration of Conformity.

Process

Process temperature

Maximum process temperature	Version ¹⁾
+100 °C (+212 °F)	A
+130 °C (+266 °F)(+150 °C (+302 °F) ²⁾)	B
+150 °C (+302 °F)	C
+200 °C (+392 °F)	D

- 1) Product Configurator, "Application" feature
- 2) Temperature for maximum one hour (device in operation but not within measurement specification)

Fill fluid

Fill fluid	Process temperature range	Version ¹⁾
Synthetic oil, FDA	-40 to +130 °C (-40 to +266 °F)(+150 °C (+302 °F) ²⁾)	3
Vegetable oil, FDA	-20 to +200 °C (-4 to +392 °F)	4

- 1) Product Configurator, "Fill fluid" feature
- 2) Temperature for one hour maximum (device in operation but not within measurement specification)

Process pressure range**Pressure specifications**

⚠ WARNING

The maximum pressure for the device depends on the lowest-rated component with regard to pressure (components are: process connection, optional mounted parts or accessories).

- ▶ Only operate the device within the specified limits for the components!
- ▶ MWP (maximum working pressure): The maximum working pressure is specified on the nameplate. This value refers to a reference temperature of +20 °C (+68 °F) and may be applied to the device for an unlimited time. Note temperature dependence of maximum working pressure. For higher temperatures, refer to the following standards for the permitted pressure values for flanges: EN 1092-1 (materials 1.4435 and 1.4404 are identical with regard to their stability/temperature property and are grouped together in under 13E0 in EN 1092-1 Tab. 18; the chemical composition of the two materials can be identical), ASME B 16.5a (the latest version of the standard applies in each case).
- ▶ The overpressure limit is the maximum pressure that a device may be subjected to during a test. It exceeds the maximum working pressure by a certain factor. This value refers to a reference temperature of +20 °C (+68 °F).
- ▶ In the case of sensor range and process connection combinations where the overpressure limit (OPL) of the process connection is less than the nominal value of the measuring cell, the device is set at the factory, at the very maximum, to the OPL value of the process connection. If the entire measuring cell range must be used, select a process connection with a higher OPL value (1.5 x MWP; MWP = PN).
- ▶ The Pressure Equipment Directive (2014/68/EU) uses the abbreviation "PS". The abbreviation "PS" corresponds to the maximum working pressure of the device.
- ▶ For maximum working pressure data that deviate from this, see the "Mechanical construction" section.

Cleaned of oil and grease

Endress+Hauser also offers devices, cleaned of oil and grease, for special applications. No special restrictions regarding the process conditions apply to these devices.

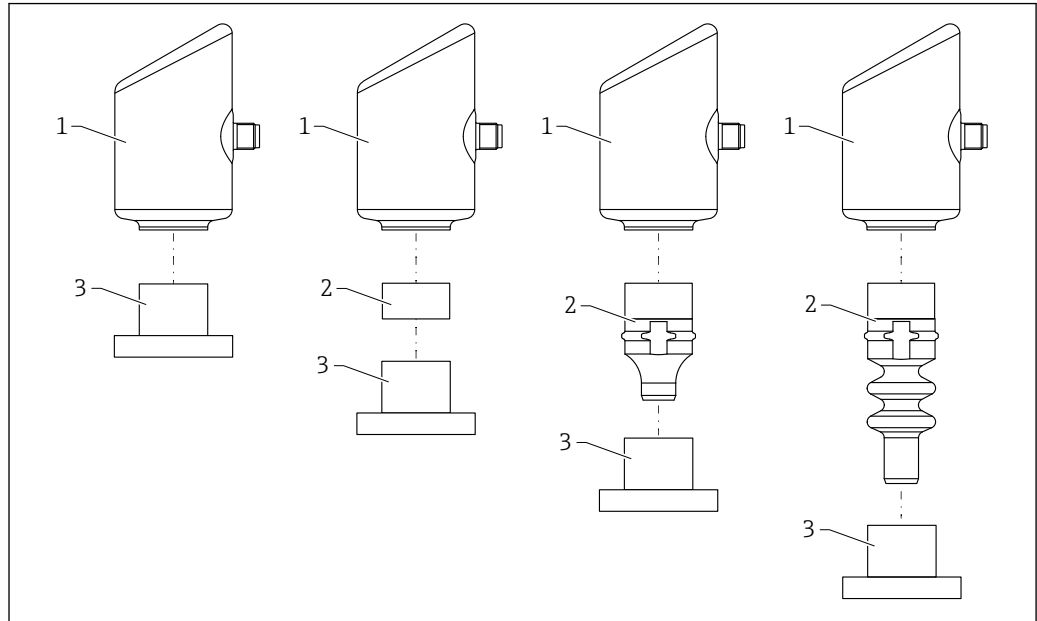
Mechanical construction

Design, dimensions

Device height

The device height is calculated from

- the height of the housing (1)
- configuration-dependent mounted parts (2)
- the height of the relevant process connection (3)



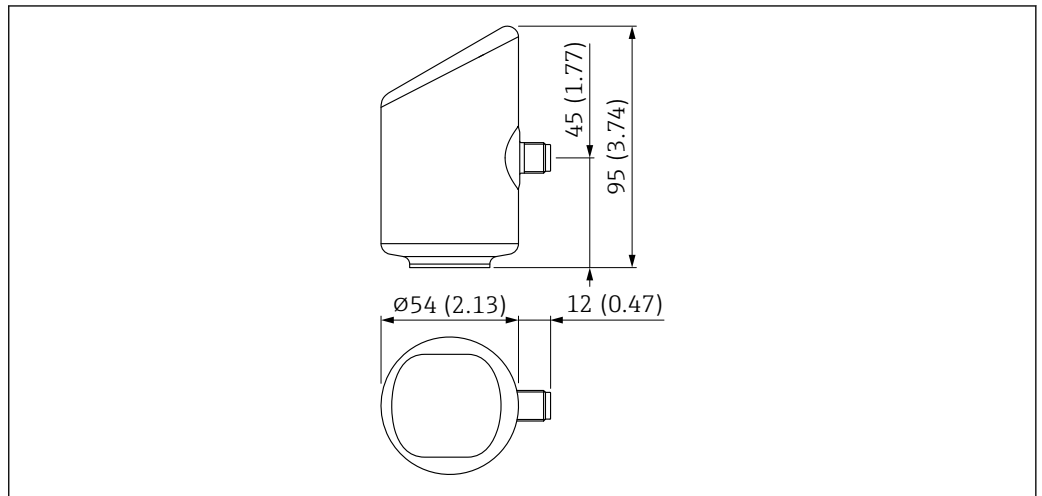
A0055927

- 1 Housing
 2 Configuration-dependent mounted parts
 3 Process connection

The individual heights of the components are listed in the following sections. To calculate the device height, add the individual heights of the components.

Dimensions

Housing



A0052415

Unit of measurement mm (in)

Important information on the process connections

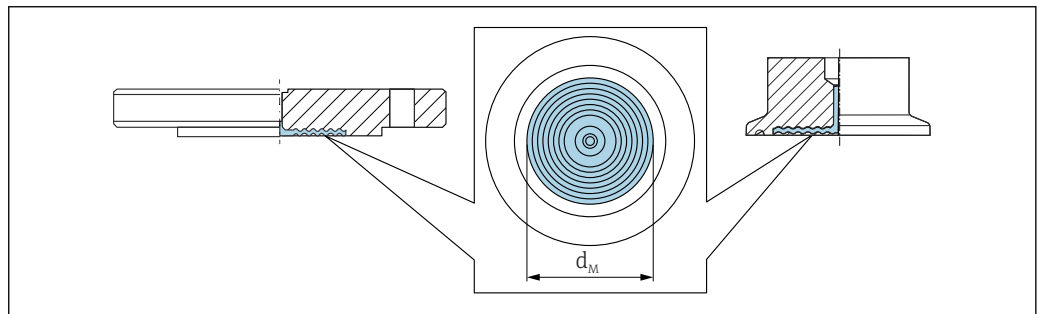
The design of some process connections is determined by the selection of the following features in the product structure:

- Application feature:
 - Process temperature +100 °C (+212 °F)
 - Process temperature +130 °C (+266 °F), +150 °C (+302 °F) max. 1h
 - Process temperature +150 °C (+302 °F)
 - Process temperature +200 °C (+392 °F)
- "Surface refinement" feature:
 - Standard
 - Hygienic RA 0.38µm/15µin electropolished

These features are described for the relevant process connection if they are required.

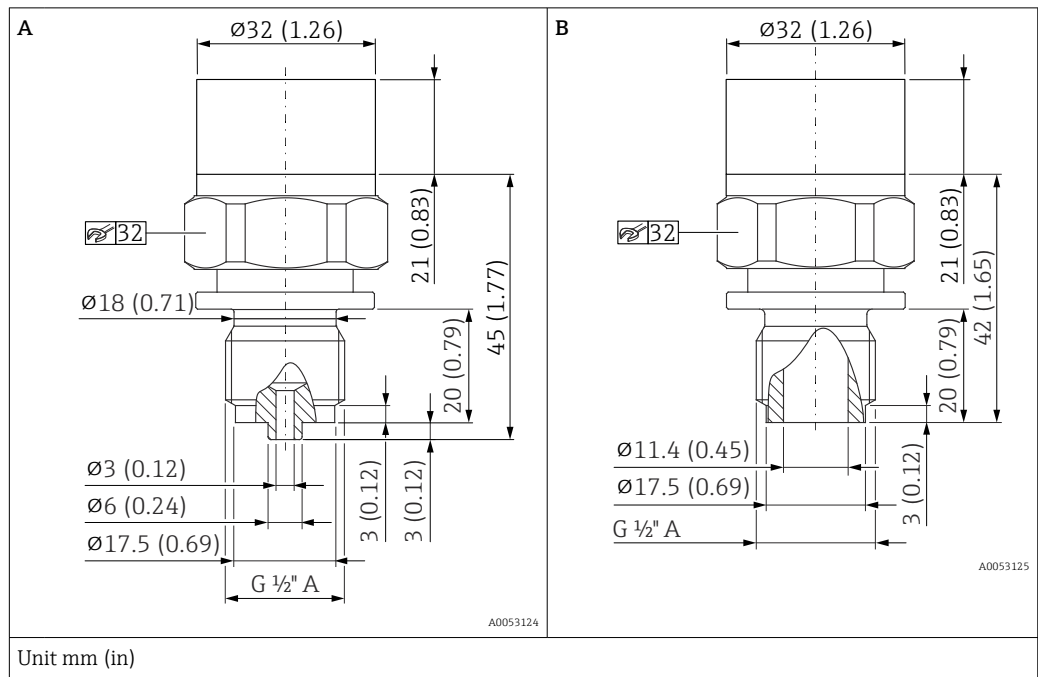
Explanation of terms

- DN or NPS = alphanumeric designation of a component
- PN or Class = alphanumeric pressure rating of a component
- d_M : membrane diameter (see following graphic)



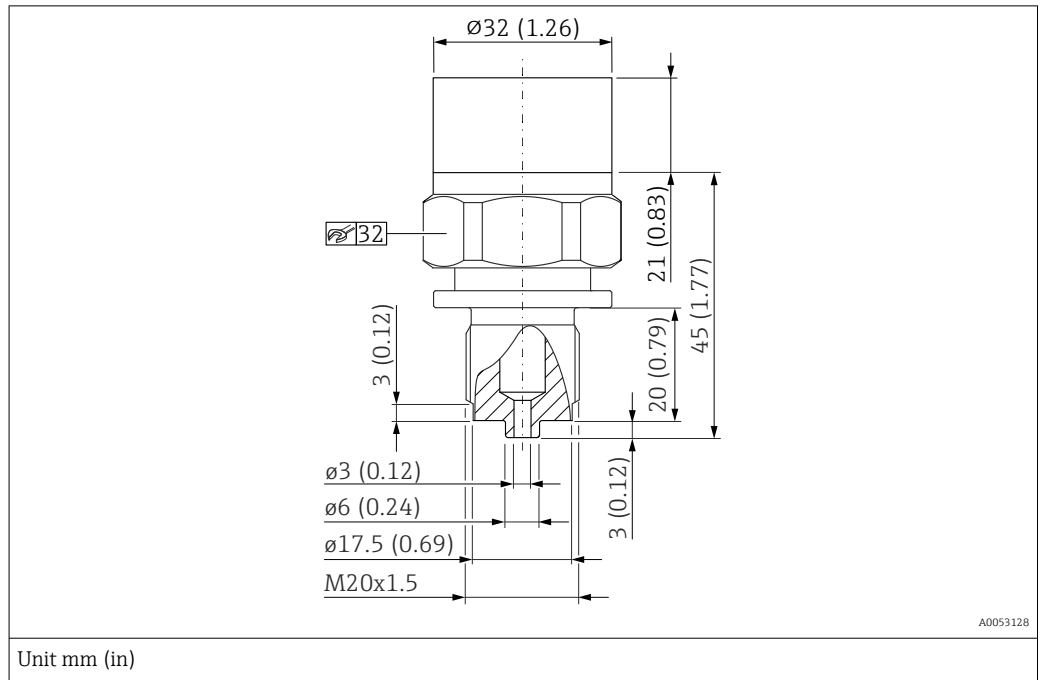
A0056033

Thread ISO 228 G, internal membrane



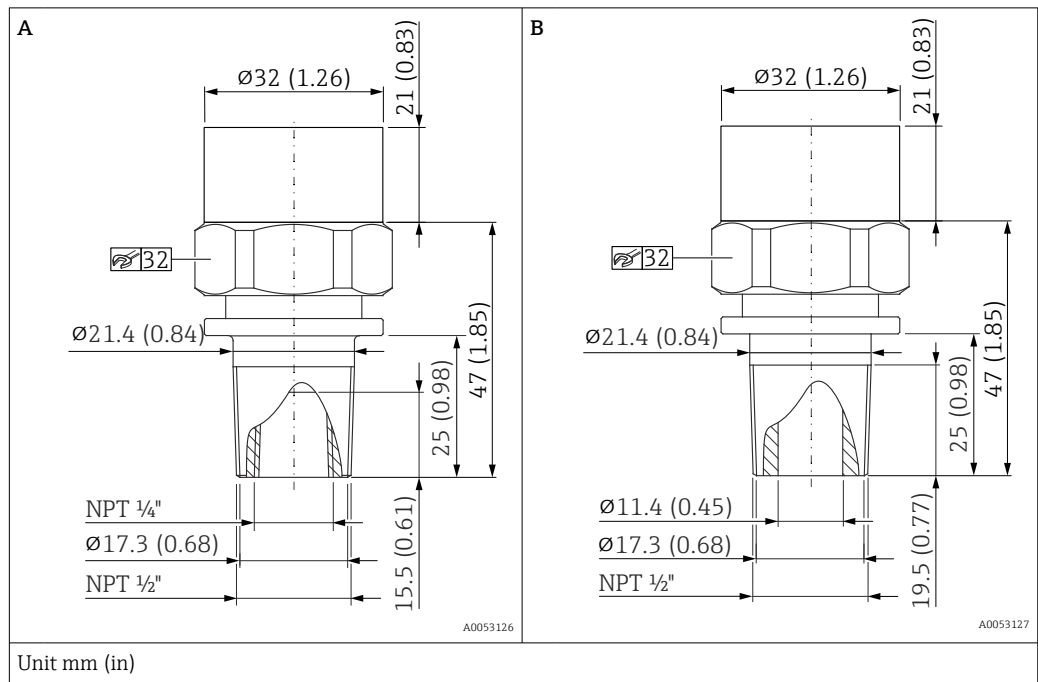
Designation	Graphic	Weight	Order option
		[kg (lb)]	
Thread ISO 228 G 1/2" A, EN 837	A	0.22 (0.49)	WBJ
Thread ISO 228 G 1/2" A, bore 11.4 mm (0.45 in)	B		WWJ

Thread DIN13, internal membrane



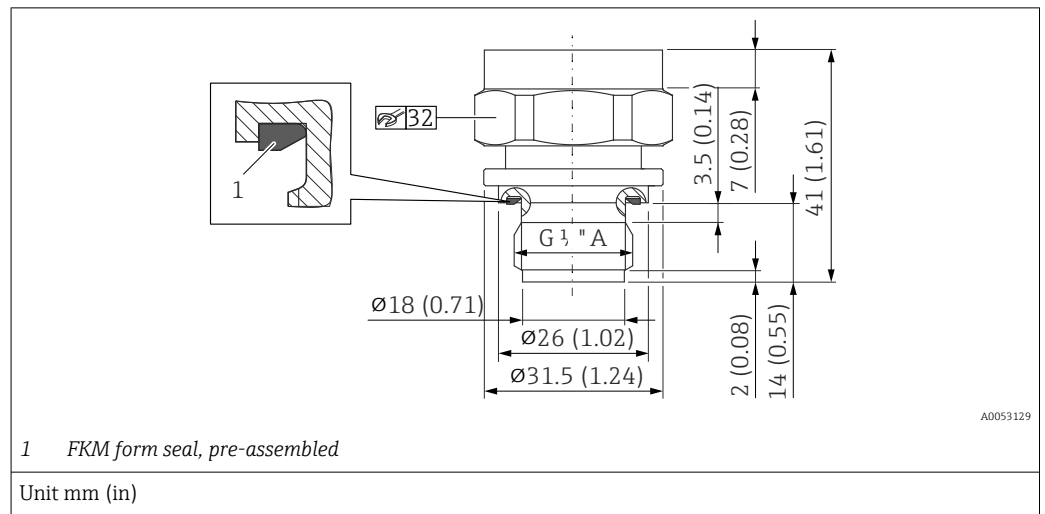
Designation	Weight	Order option
	[kg (lb)]	
DIN 13 M20 x 1.5, EN 837, bore 3 mm (0.12 in)	0.22 (0.49)	X4j

Thread ASME, internal membrane

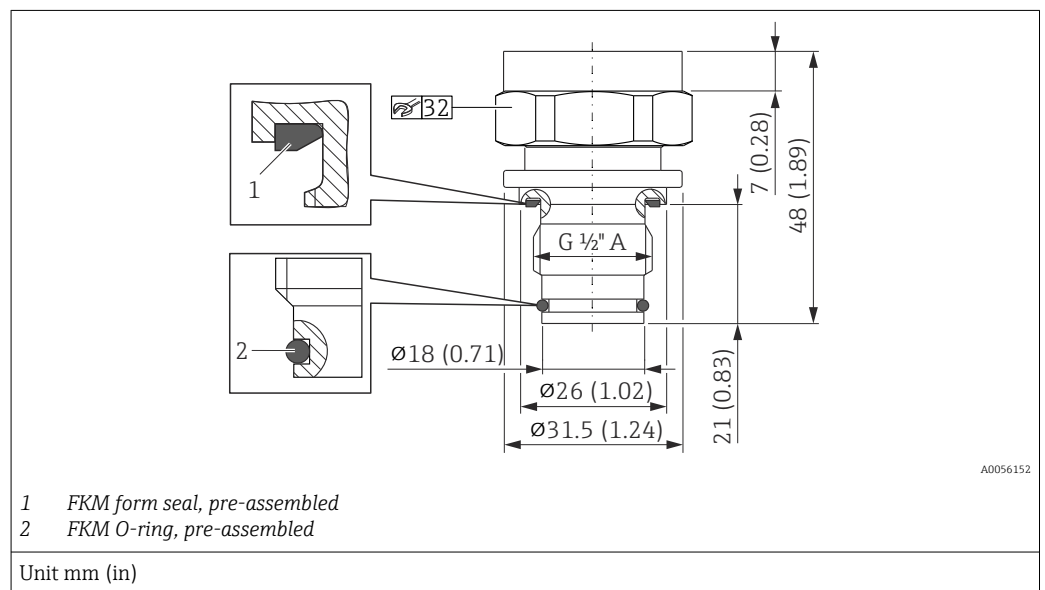


Designation	Graphic	Weight	Order option
		[kg (lb)]	
ASME 1/2" MNPT, 1/4" FNPT (internal)	A	0.23 (0.51)	VXJ
ASME 1/2" MNPT, bore 11.4 mm (0.45 in)	B		VWJ

Thread ISO 228 G, flush membrane

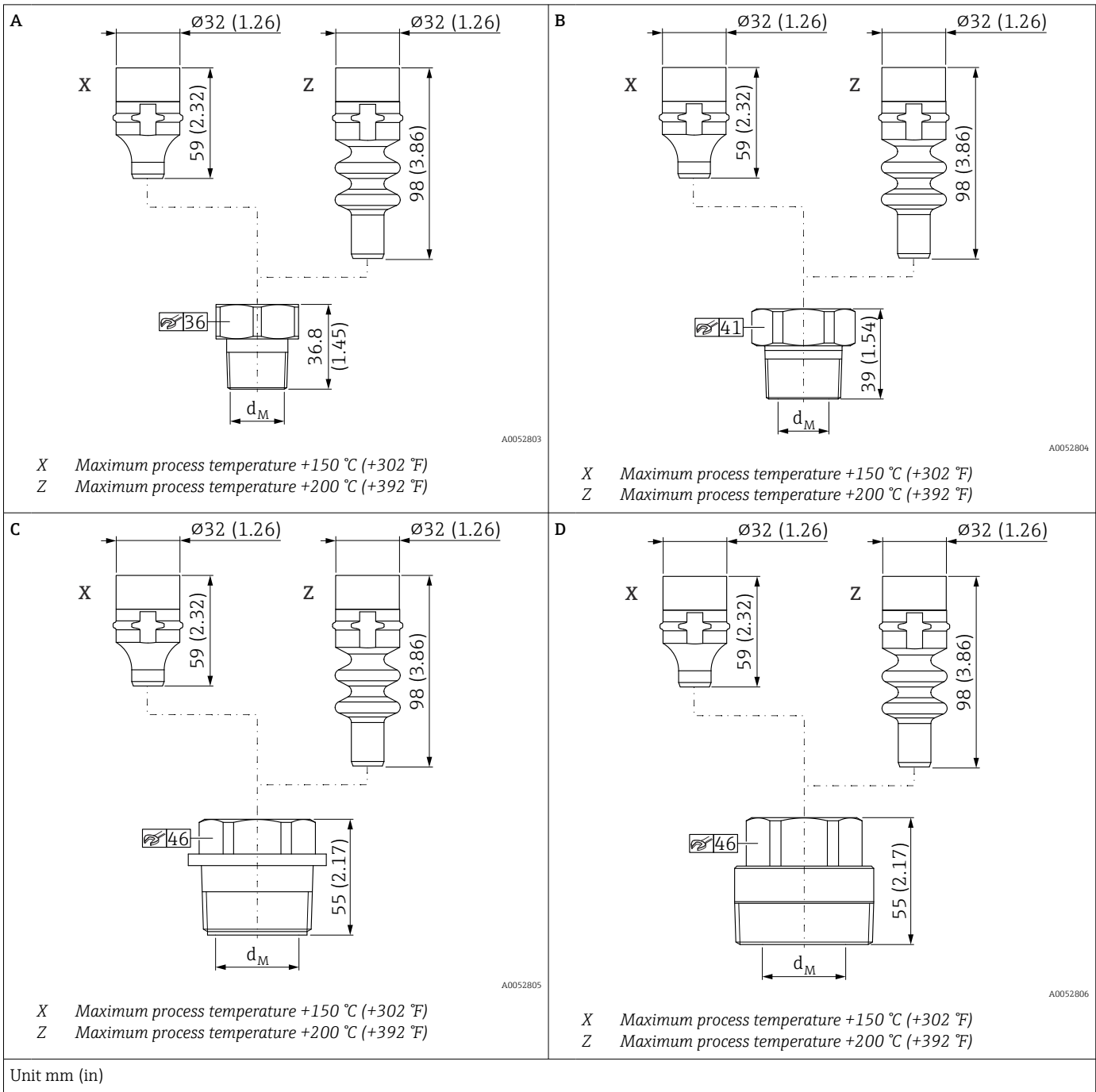


Designation	d_M	Weight	Order option
	[mm (in)]	[kg (lb)]	
Thread ISO 228 G 1/2" A DIN3852, form E	17.2 (0.68)	0.14 (0.31)	WJJ



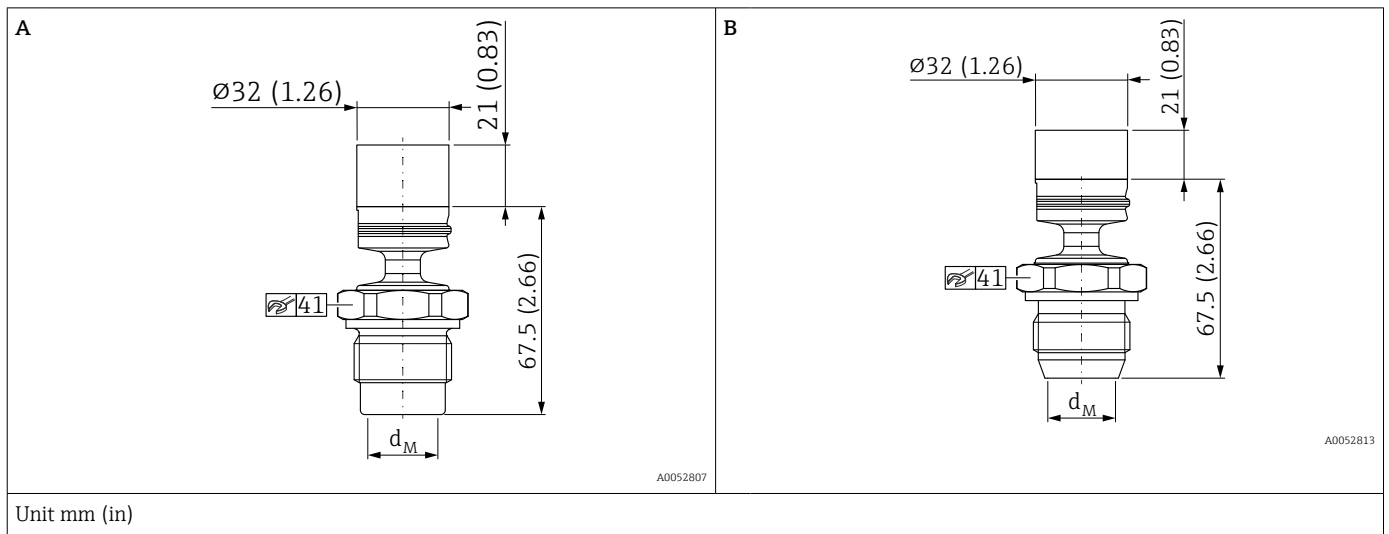
Designation	d_M	Weight	Order option
	[mm (in)]	[kg (lb)]	
Thread ISO 228 G 1/2" A O-ring seal, flush-mounted	17.2 (0.68)	0.15 (0.33)	WUJ

Thread MNPT, flush membrane

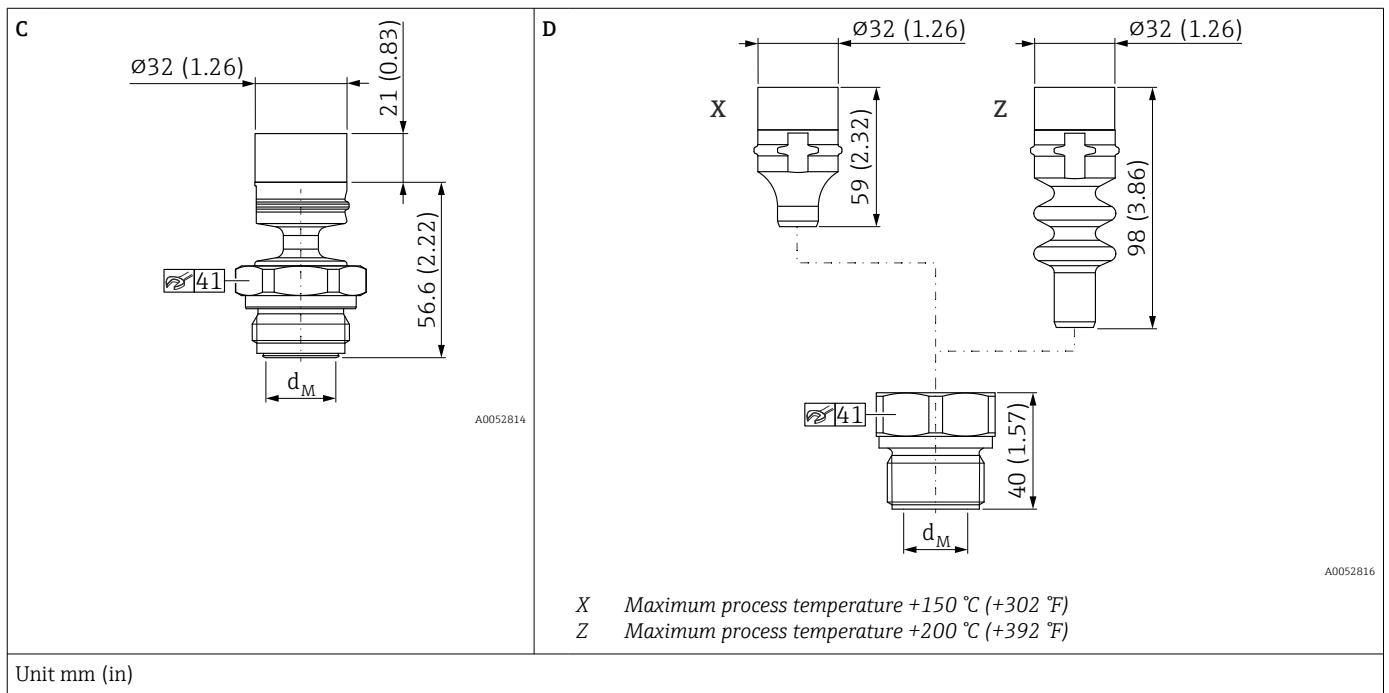


Designation	Graphic	d_M	Weight	Order option
		[mm (in)]	[kg (lb)]	
MNPT 3/4"	A	22 (0.87)	0.22 (0.49)	VHJ
MNPT 1"	B	28 (1.10)	0.33 (0.73)	VJJ
MNPT 1 1/2"	C	41 (1.61)	0.73 (1.61)	VLJ
MNPT 2"	D	48 (1.89)	1.05 (2.32)	VMJ

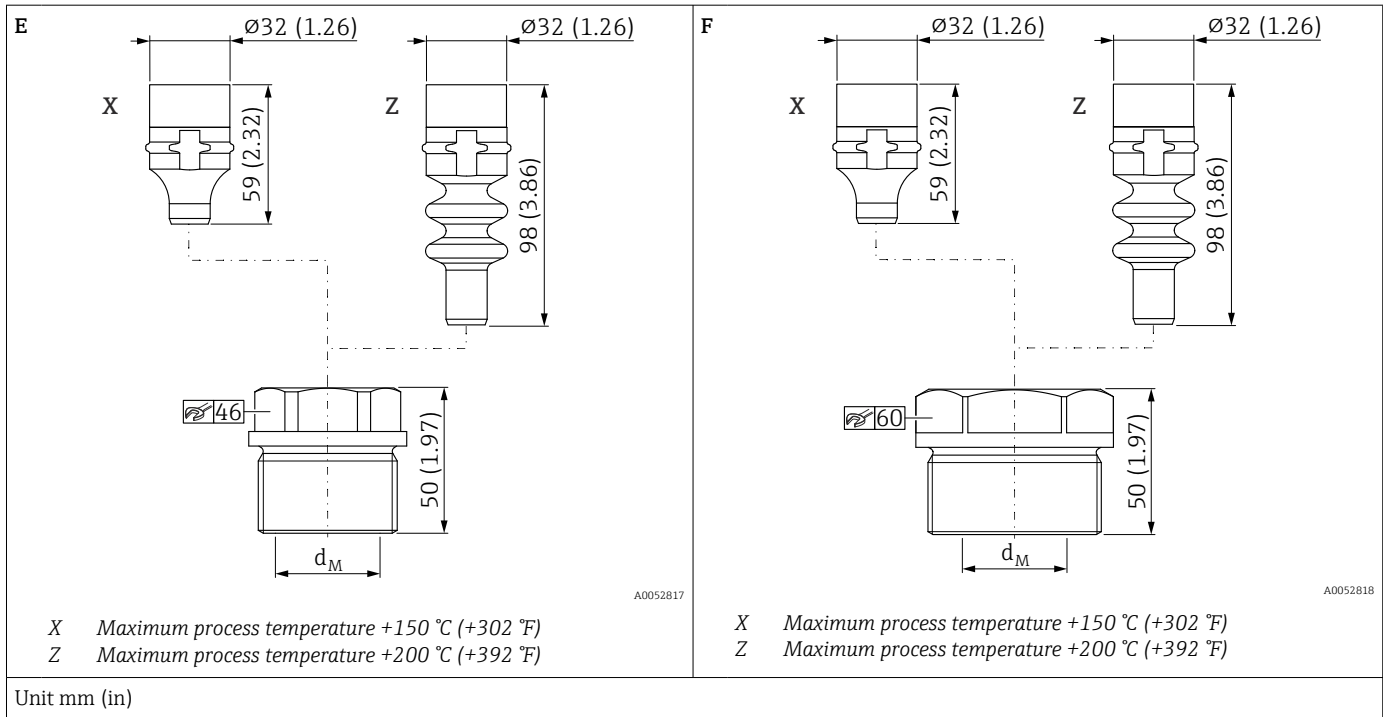
Thread G1, G 1 1/2, G2, flush membrane



Designation	Graphic	d _M	Weight	Order option
		[mm (in)]	[kg (lb)]	
G1" with O-ring	A	22 (0.87)	0.42 (0.93)	WSJ
G1" with sealing taper	B		0.39 (0.86)	WQJ

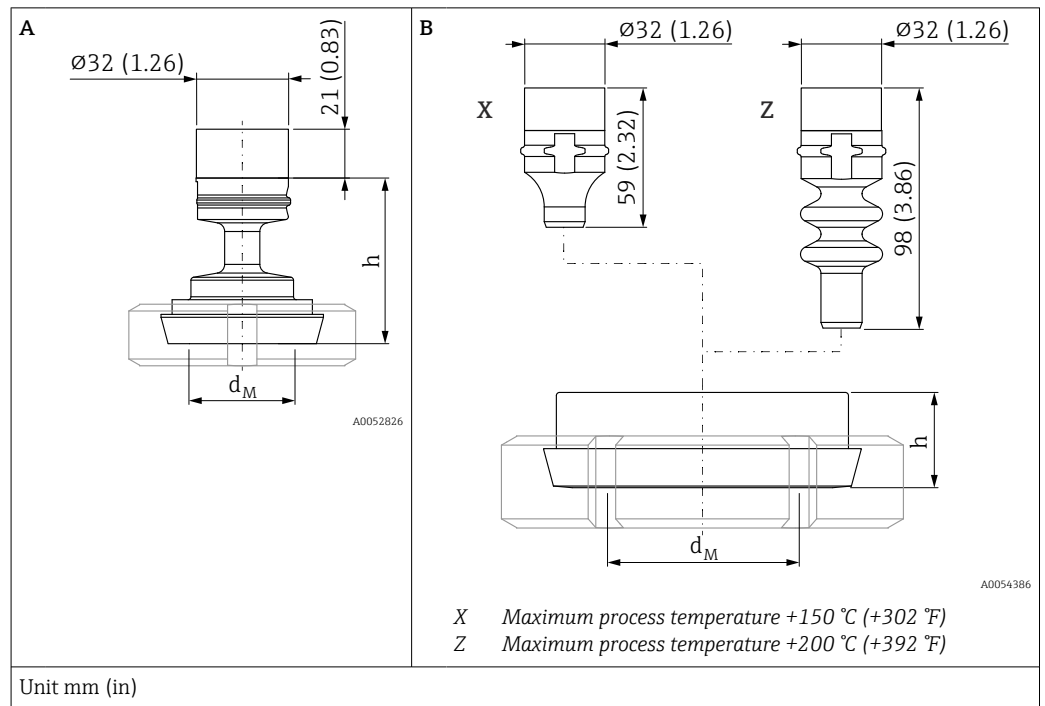


Designation	Graphic	d _M	Weight	Order option
		[mm (in)]	[kg (lb)]	
G1" with Aseptoflex O-ring made from EPDM	C	22 (0.87)	0.35 (0.77)	45J
G1"	D	28 (1.10)	0.34 (0.75)	WLJ



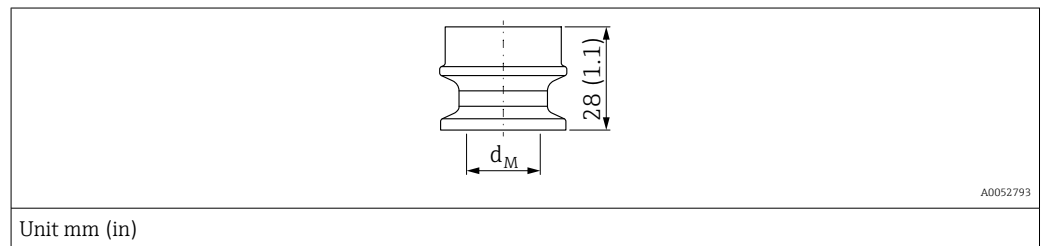
Designation	Graphic	d_M	Weight	Order option
		[mm (in)]	[kg (lb)]	
G1 1/2"	E	41 (1.61)	0.72 (1.59)	WNJ
G2"	F	48 (1.89)	1.17 (2.58)	WPJ

DIN11851, flush membrane



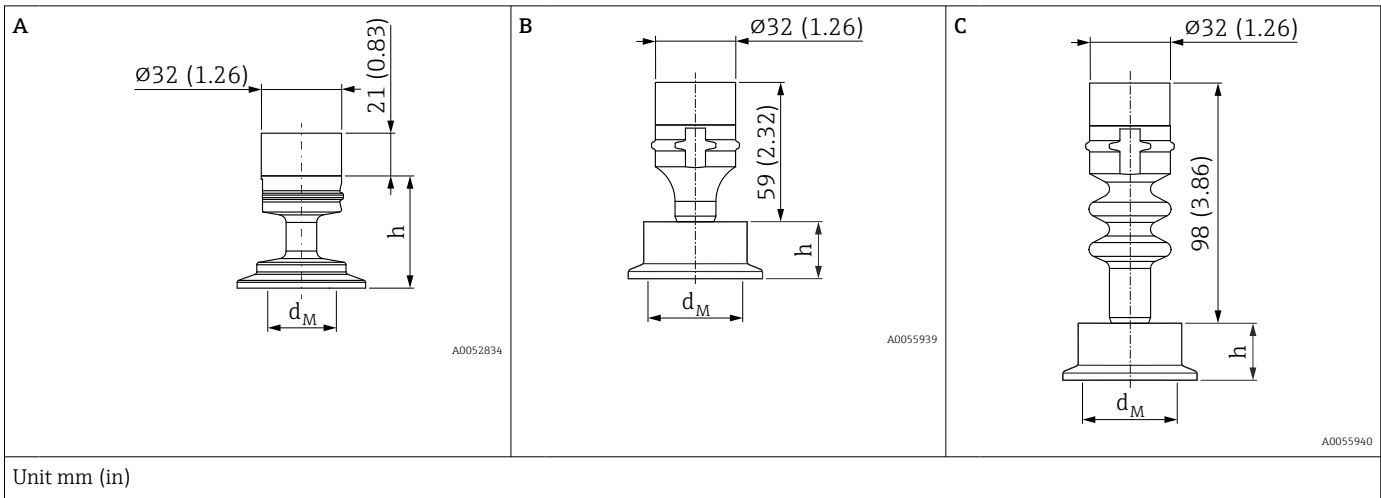
Designation	PN	Graphic	d _M	h	Weight kg	Order option
	[bar]		[mm (in)]	[mm (in)]	[kg (lb)]	
DIN11851 DN25	40	A	22 (0.87)	44 (1.73)	0.43 (0.95)	1GJ
DIN11851 DN32	40	A	32 (1.26)	57 (2.24)	0.55 (1.21)	1HJ
DIN11851 DN40	40	A	36 (1.42)	57 (2.24)	0.61 (1.35)	1JJ
DIN11851 DN50	25	A		57 (2.24)	0.76 (1.68)	1DJ
DIN11851 DN80	25	B	61 (2.4)	30 (1.18)	1.9 (4.19)	1FJ

Clamp ISO2852 DN18-22, DIN32676 DN15-20, flush membrane



Designation	PN	d _M	Weight	Order option
	[bar]	[mm (in)]	[kg (lbs)]	
Clamp ISO2852 DN18-22, DIN32676 DN15-20,	40	17.2 (0.68)	0.09 (0.20)	3AJ

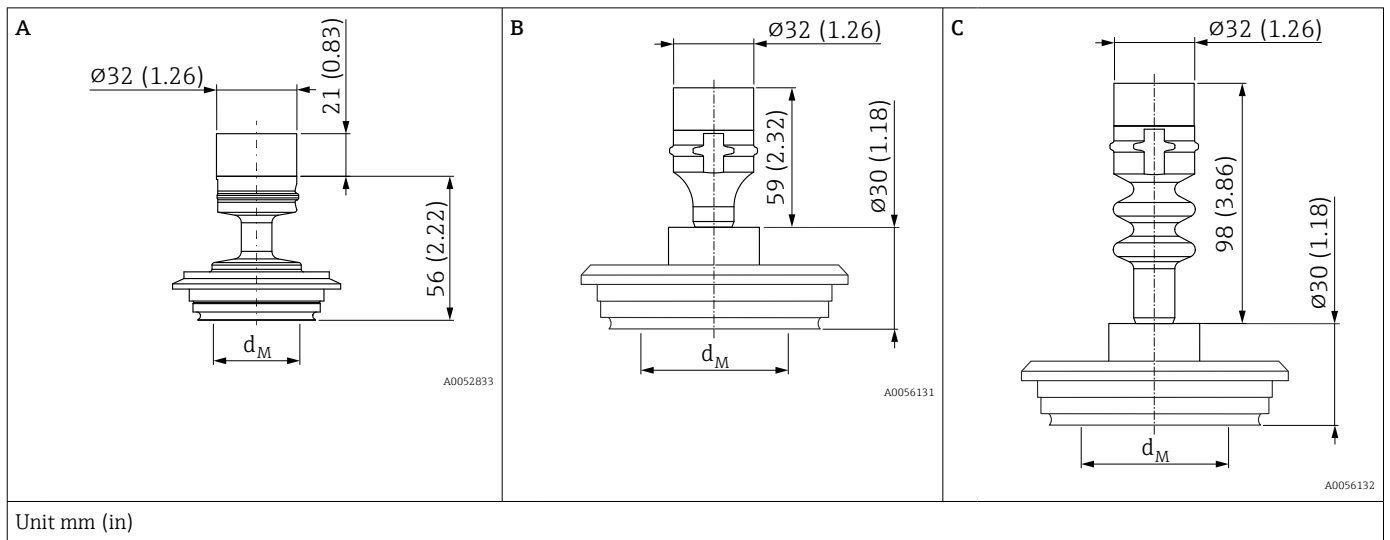
Tri-Clamp ISO2852, flush membrane



Maximum process temperature +130 °C (+266 °F)(+150 °C (+302 °F) for 1 hour)							
Maximum process temperature +150 °C (+302 °F)							
Designation	PN	Surface	Graphic	d _M	h	Weight	Order option
	[bar]			[mm (in)]	[mm (in)]	[kg (lb)]	
Tri-Clamp ISO2852 DN25 (1")	40	Standard	A	22 (0.87)	44 (1.73)	0.21 (0.46)	3BJ
		Electropolished	A				
Tri-Clamp ISO2852 DN38 (1 ½")	40	Standard	A	32 (1.26)	44 (1.73)	0.21 (0.46)	3CJ
		Electropolished	A				
Tri-Clamp ISO2852 DN51 (2")	40	Standard	A	36 (1.42)	44 (1.73)	0.26 (0.57)	3EJ
		Electropolished	A				
Tri-Clamp ISO2852 DN63.5 (2 ½")	40	Standard	A	36 (1.42)	30 (1.18)	0.33 (0.73)	3JJ
		Electropolished	B				
Tri-Clamp ISO2852 DN76.1 (3")	40	Standard	A	36 (1.42)	44 (1.73)	0.42 (0.93)	3FJ
		Electropolished	B				

Maximum process temperature +200 °C (+392 °F)							
Designation	PN	Surface	Graphic	d _M	h	Weight	Order option
	[bar]			[mm (in)]	[mm (in)]	[kg (lb)]	
Tri-Clamp ISO2852 DN25 (1")	40	Standard	C	22 (0.87)	30 (1.18)	0.32 (0.71)	3BJ
		Electropolished	C				
Tri-Clamp ISO2852 DN38 (1 ½")	40	Standard	C	36 (1.42)	30 (1.18)	1 (2.21)	3CJ
		Electropolished	C				
Tri-Clamp ISO2852 DN51 (2")	40	Standard	C	41 (1.61)	30 (1.18)	1.1 (2.43)	3EJ
		Electropolished	C				
Tri-Clamp ISO2852 DN63.5 (2 ½")	40	Standard	C	61 (2.4)	30 (1.18)	0.7 (1.54)	3JJ
		Electropolished	C				
Tri-Clamp ISO2852 DN76.1 (3")	40	Standard	C	61 (2.4)	30 (1.18)	1.2 (2.65)	3FJ
		Electropolished	C				

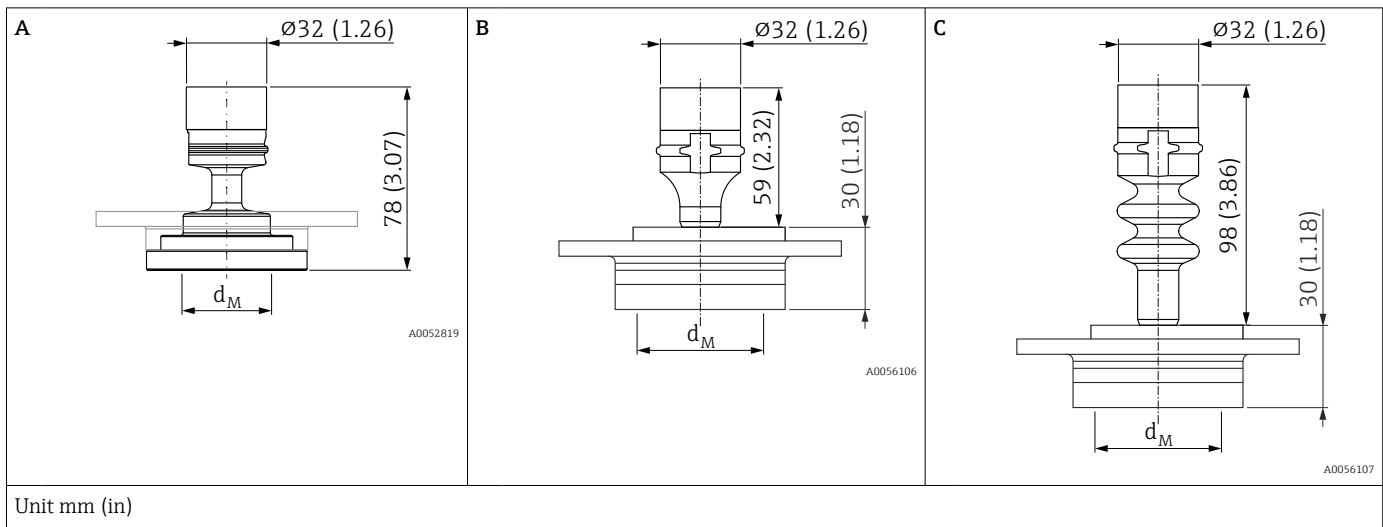
Varivent, flush membrane



Maximum process temperature +130 °C (+266 °F) (+150 °C (+302 °F) for 1 hour) Maximum process temperature +150 °C (+302 °F)						
Designation	PN	Surface	Graphic	d _M	Weight	Order option
	[bar]			[mm (in)]	[kg (lb)]	
Varivent F for DN25 - DN32 pipes	40	Standard	A	36 (1.42)	0.47 (1.04)	41J
		Electropolished	B		0.7 (1.54)	
Varivent N for DN40 - DN162 pipes		Standard	A	61 (2.4)	0.74 (1.63)	42J
		Electropolished	B		0.9 (1.98)	

Maximum process temperature +200 °C (+392 °F)						
Designation	PN	Graphic	d _M	Weight	Order option	
	[bar]		[mm (in)]	[kg (lb)]		
Varivent F for DN25 - DN32 pipes	40	C	36 (1.42)	0.4 (0.88)	41J	
Varivent N for DN40 - DN162 pipes		C	61 (2.4)	0.8 (1.76)	42J	

DRD, flush membrane



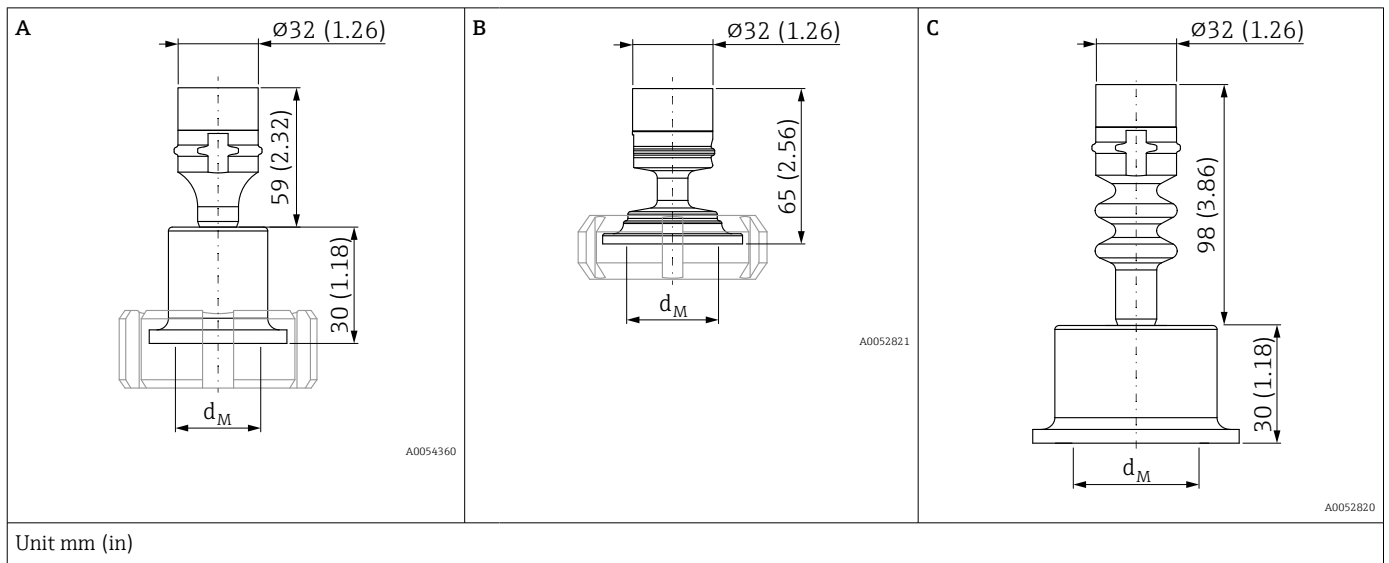
Maximum process temperature +130 °C (+266 °F) (+150 °C (+302 °F) for 1 hour)
 Maximum process temperature +150 °C (+302 °F)

Designation	PN	Surface	Graphic	d _M	Weight kg	Order option
	[bar]			[mm (in)]	[kg (lb)]	
DRD 65 mm	25	Standard	A	36 (1.42)	0.48 (1.06)	4AJ
		Electropolished	B	48 (1.89)	0.65 (1.43)	

Maximum process temperature +200 °C (+392 °F)

Designation	PN	Surface	Graphic	d _M	Weight kg	Order option
	[bar]			[mm (in)]	[kg (lb)]	
DRD 65 mm	25	Standard	C	48 (1.89)	0.75 (1.65)	4AJ
		Electropolished	C			

SMS, flush membrane



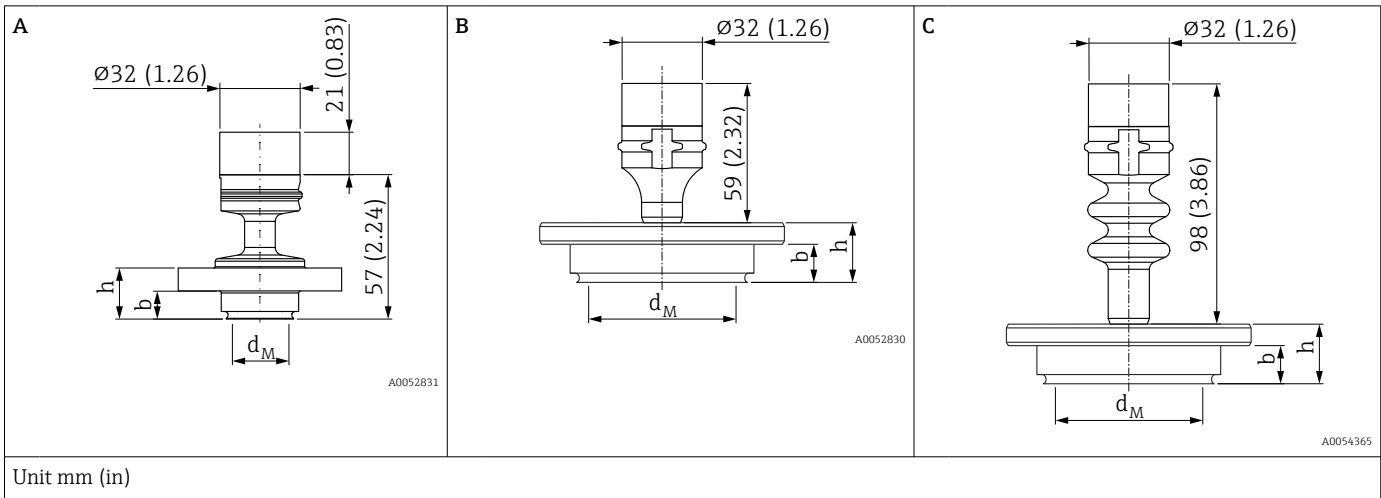
Maximum process temperature +130 °C (+266 °F) (+150 °C (+302 °F) for 1 hour)
 Maximum process temperature +150 °C (+302 °F)

Designation	PN	Graphic	d _M	Weight	Order option
	[bar]		[mm] (in)	[kg (lb)]	
SMS 1	40	A	22 (0.87)	0.13 (0.29)	4PJ
SMS 1 1/2		B	36 (1.42)	0.25 (0.55)	4QJ
SMS 2		B		0.32 (0.71)	4RJ

Maximum process temperature +200 °C (+392 °F)

Designation	PN	Graphic	d _M	Weight	Order option
	[bar]		[mm] (in)	[kg (lb)]	
SMS 1	40	C	22 (0.87)	0.25 (0.55)	T6J
SMS 1 1/2		C	36 (1.42)	0.65 (1.43)	T7J
SMS 2		C	48 (1.89)	1.05 (2.32)	TXJ

NEUMO BioControl, flush membrane



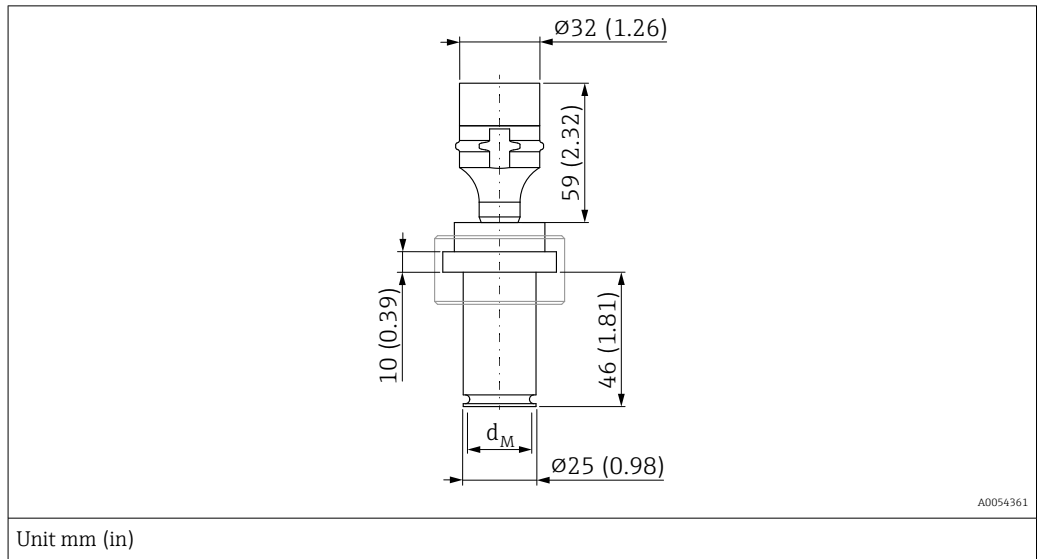
Maximum process temperature +130 °C (+266 °F) (+150 °C (+302 °F) for 1 hour)
 Maximum process temperature +150 °C (+302 °F)

Designation	PN	Surface	Graphic	b	h	d _M	Weight	Order option
	[bar]			[mm (in)]	[mm (in)]	[mm (in)]	[kg (lb)]	
NEUMO BioControl D25	16	Standard	A	11 (0.43)	20 (0.79)	22 (0.87)	0.41 (16.1)	5AJ
		Electropolished	B				0.6 (1.32)	
NEUMO BioControl D50	16	Standard	A	17 (0.67)	27 (1.06)	36 (1.42)	0.86 (1.90)	5DJ
		Electropolished	B			41 (1.61)	1.1 (2.43)	
NEUMO BioControl D80	16	Standard	B	25 (0.98)	37 (1.46)	61 (2.4)	2.59 (5.71)	5FJ
		Electropolished	B					

Maximum process temperature +200 °C (+392 °F)

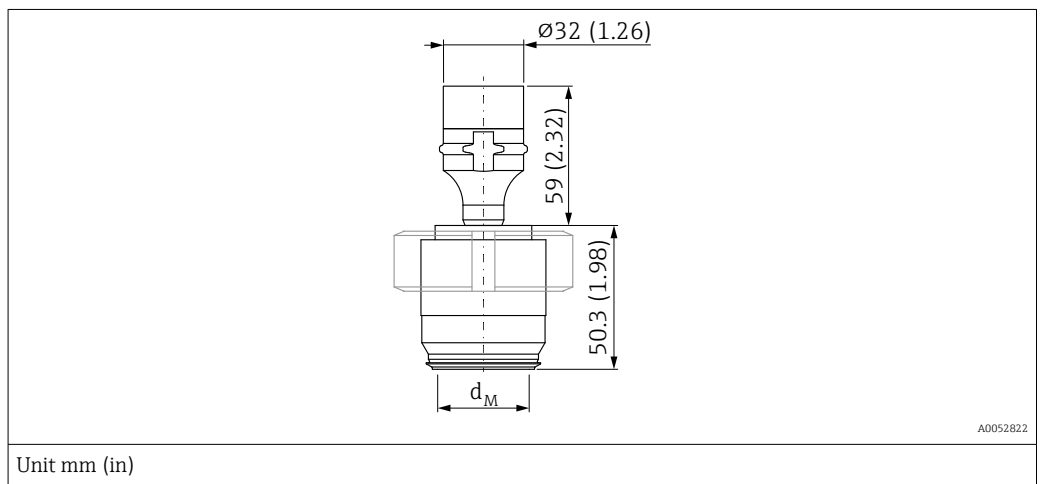
Designation	PN	Graphic	b	h	d _M	Weight	Order option
	[bar]		[mm (in)]	[mm (in)]	[mm (in)]	[kg (lb)]	
NEUMO BioControl D80	16	C	25 (0.98)	37 (1.46)	61 (2.4)	2.8 (6.17)	5FJ

Ingold connection 25x46, flush membrane



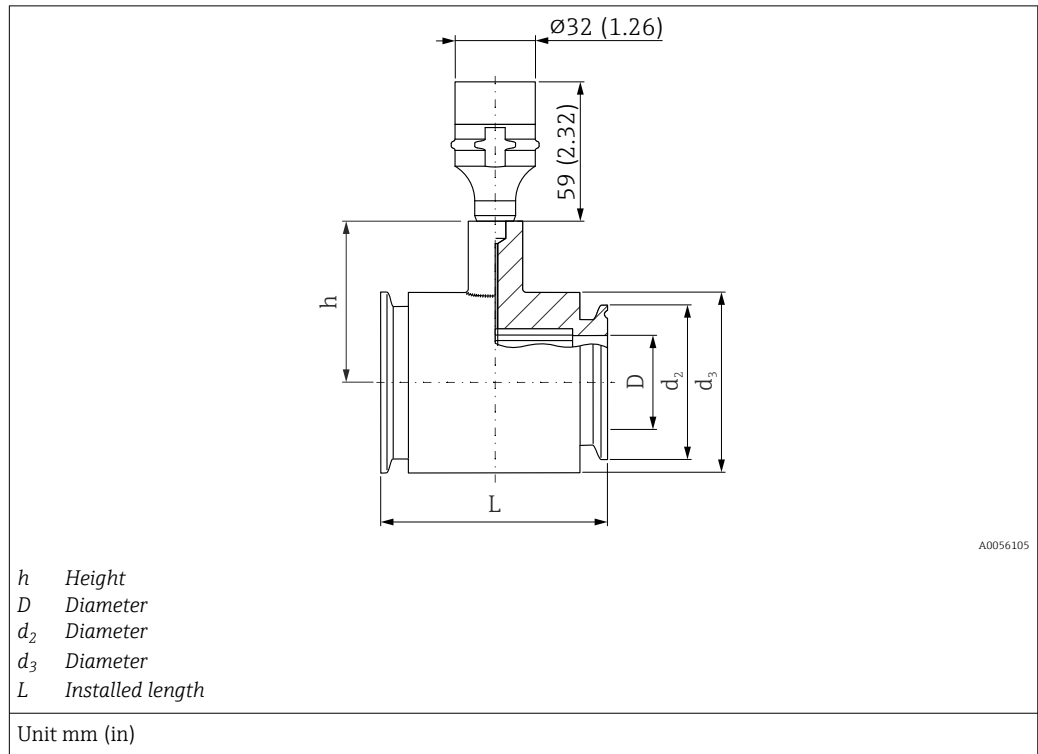
Designation	PN	d_M	Weight	Order option
	[bar]	[mm (in)]	[kg (lb)]	
Ingold connection 25x46 with O-ring made from EPDM	25	22 (0.87)	0.3 (0.66)	5RJ

Universal adapter, flush membrane



Designation	Seal	PN	d_M	Weight	Order option
		[bar]	[mm (in)]	[kg (lb)]	
Universal adapter	Silicone form seal	10	32 (1.26)	0.54 (1.19)	52J
	EPDM form seal				50J

Tri-Clamp ISO2852 inline seal, flush membrane



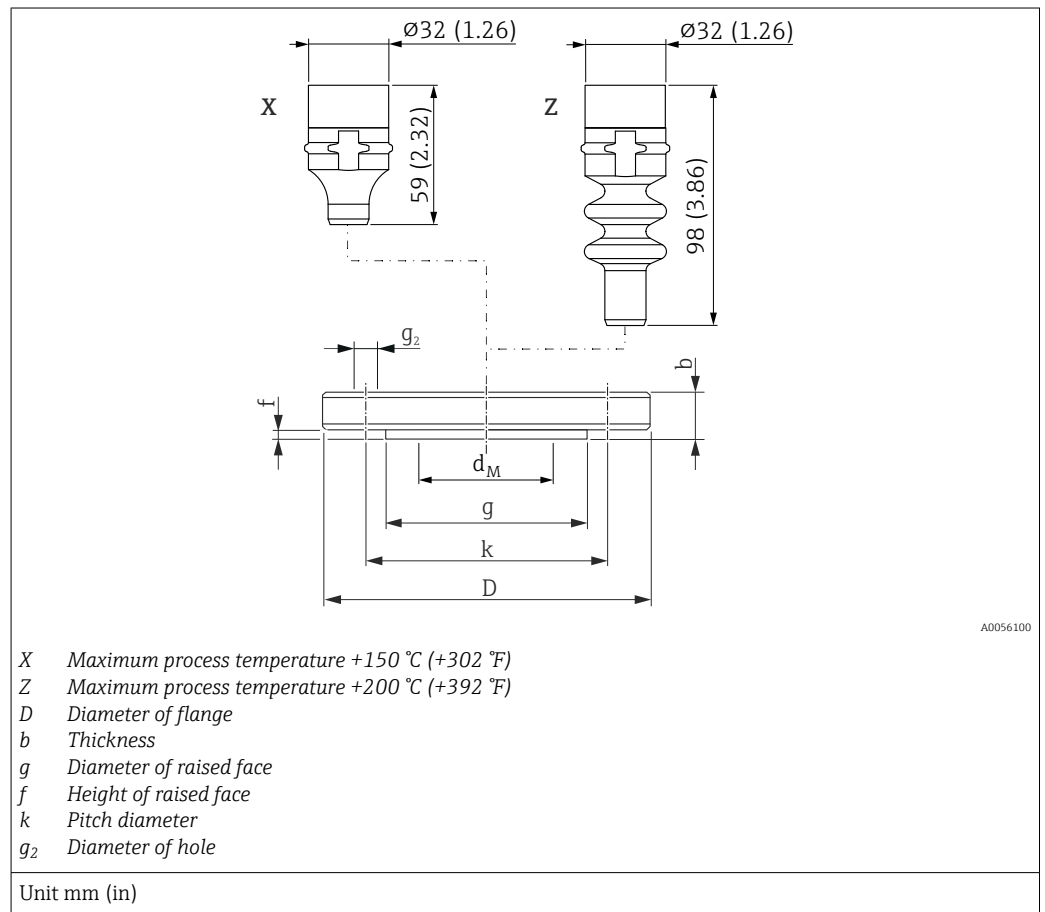
DN	NPS	PN	D	d ₂	d ₃	h	L	Weight	Order option
	[in]							[bar]	
10	¾	40	10.5	25	34	41.5	140	0.6 (1.32)	3QJ
25	1		22.5	50.5	54	67	126	1.7 (3.75)	3RJ
38	1 ½		35.5	50.5	69	67	126	1.0 (2.21)	3SJ ¹⁾
51	2		48.6	64	78	79	100	1.7 (3.75)	3TJ ¹⁾

1) incl. 3.1 and pressure test in accordance with the Pressure Equipment Directive, category II

i Perform CIP (cleaning in place (hot water)) before SIP (sterilization in place (steam)). Frequent use of SIP cleaning increases the stress and strain on the process membrane. Under unfavorable conditions, frequent changes of temperature can lead to process membrane material fatigue and potentially leaks over the long term.

Flange EN1092-1, flush membrane

Connection dimensions according to EN1092-1

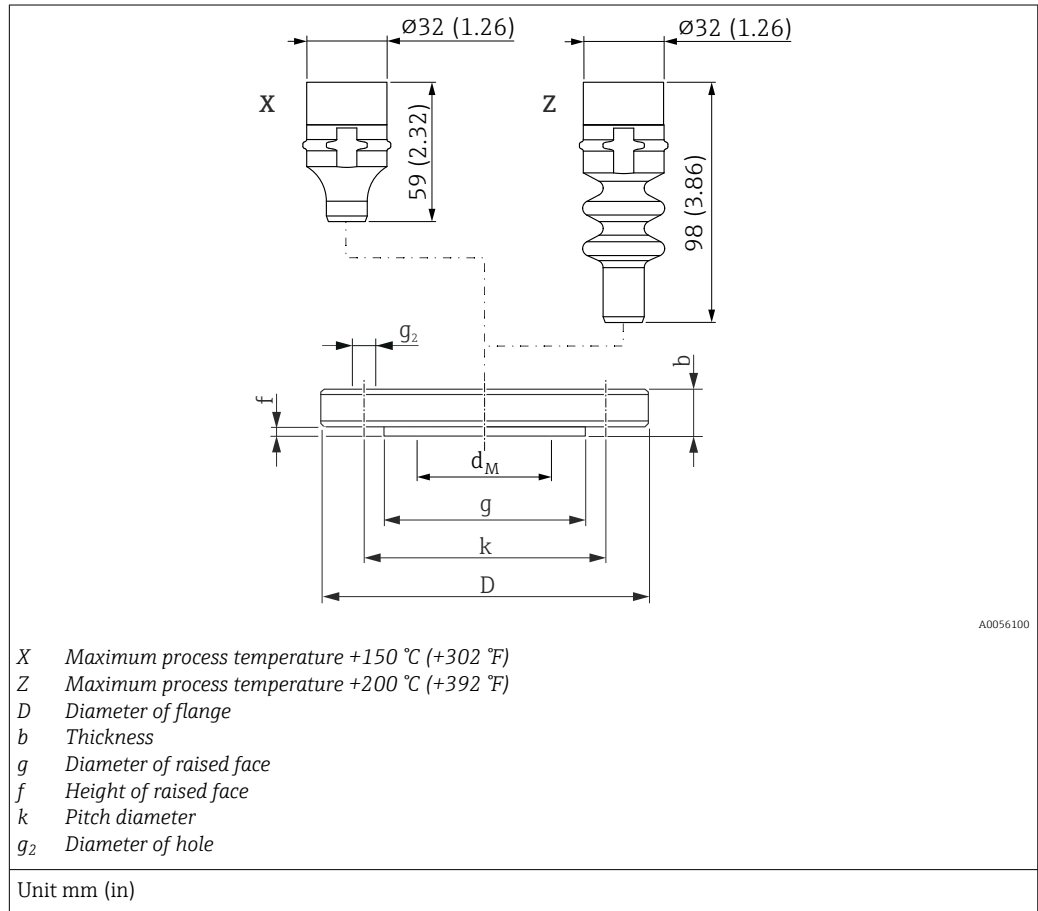


Flange								Order option
DN	PN	Form	D	b	g	f	Ød _M	
			[mm]	[mm]	[mm]	[mm]	[mm]	
25	10-40	B1	115	18	68	3	28	H0J
40	10-40	B1	150	18	87		-	E1J
50	10-40	B1	165	20	102		61	H3J
80	10-40	B1	200	24	138		89	H5J

Flange		Boltholes			Weight	Order option
DN	PN	Quantity	g ₂	k		
			[mm]	[mm]	[kg (lb)]	
25	10-40	4	14	85	2.1 (4.63)	H0J
40	10-40	4	18	110	2.2 (4.85)	E1J
50	10-40	4	18	125	3.0 (6.62)	H3J
80	10-40	8	18	160	5.3 (11.69)	H5J

Flange ASME, flush membrane

Connection dimensions in accordance with ASME B 16.5, raised face RF



Flange							Order option
NPS	Class	D	b	g	f	Ød _M	
[in]	[lb./sq.in]	[in]	[in]	[in]	[in]	[in]	
1	150	4.25	0.56	2	0.06	1.10	AAJ
1 ½	150	5	0.69	2.88		On request	ACJ
2	150	6	0.75	3.62		2.40	ADJ
3	150	7.5	0.94	5		3.50	AFJ

Flange		Boltholes			Weight	Order option
NPS	Class	Quantity	g ₂	k		
[in]	[lb./sq.in]		[in]	[in]	[kg (lb)]	
1	150	4	0.62	3.12	1.2 (2.65)	AAJ
1 ½	150	4	0.62	3.88	1.5 (3.31)	ACJ
2	150	4	0.75	4.75	2.2 (4.85)	ADJ
3	150	4	0.75	6	5.1 (11.25)	AFJ

Weight



The weights of the individual components must be added together for the total weight.

Housing weight including electronics and onsite display: 0.43 kg (0.95 lb)

Process connection: See the relevant process connection for weight

Materials

Materials in contact with process

Process connections

- EN flanges:
 - Material: AISI 316L
 - The flange raised face is made of the same material as the membrane.
- ASME flanges:
 - Material AISI 316/316L: Combination of AISI 316 for required pressure resistance and AISI 316L for required chemical resistance (dual rated)
 - The flange raised face is made of the same material as the membrane.
- All other process connections made of 316L

Membrane material

- 316L (1.4435)
 - AlloyC276
- The material of the flange raised face is the same as the material as the membrane.

Delta ferrite content

A delta ferrite content of $\leq 3\%$ can be guaranteed and certified for the wetted parts if option "KD" is selected in the "Test, certificate, declaration" order code in the Product Configurator.

Materials not in contact with process

- Housing: 316L (1.4404)
- Display: Polycarbonate
- Device plug: For more information, see section on "Power supply".

Fill fluid

- Synthetic oil as per FDA 21 CFR 178.3620 (b)(1) and NSF H-1
- Vegetable oil, FDA 21 CFR 172.856

Accessories



For technical data (e.g. materials, dimensions or order numbers), see the accessory document SDO1553P.

Surface roughness

- Housing: Ra $< 1.6 \mu\text{m}$ (63 μin), electropolished
- Wetted parts: Ra $< 0.76 \mu\text{m}$ (29.9 μin) (excluding flanges and threaded process connections)
- Parts in contact with process: hygienic Ra $< 0.38 \mu\text{m}$ (15 μin) electropolished (Product feature "Surface refinement", order option "E")

User interface

Languages



The following languages are available on the onsite display.

Operating languages

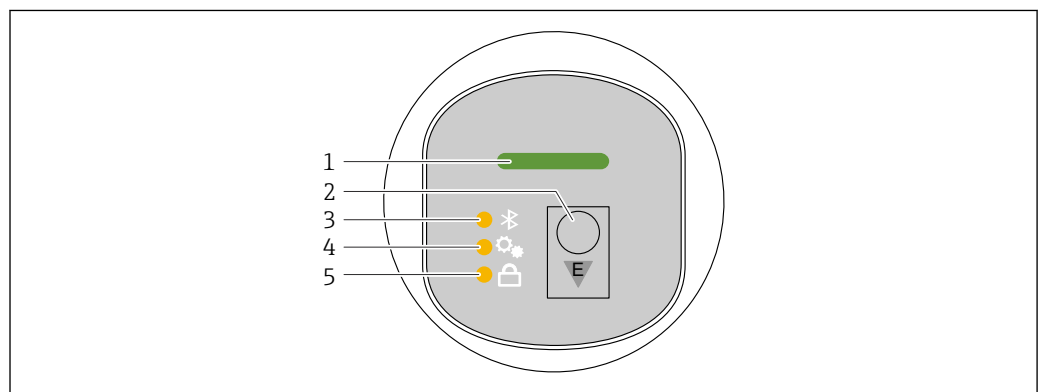
- English (English is set at the factory if no other language is ordered)
- Deutsch
- Français
- Español
- Italiano
- Nederlands
- Portuguesa
- Polski

- русский язык (Russian)
- Türkçe
- 中文 (Chinese)
- 日本語 (Japanese)
- 한국어 (Korean)
- tiếng Việt (Vietnamese)
- čeština (Czech)
- Svenska

LED indicator

Functions:

- Display of the operating status (operation or fault)
- Display of Bluetooth connection, locking status and function
- Easy setup of the following functions with one button:
 - Locking On/Off
 - Bluetooth On/Off
 - Position adjustment




A0052426

- 1 Operating status LED
- 2 Operating key "E"
- 3 Bluetooth LED
- 4 Position adjustment LED
- 5 Keypad lock LED

Onsite display

Functions:

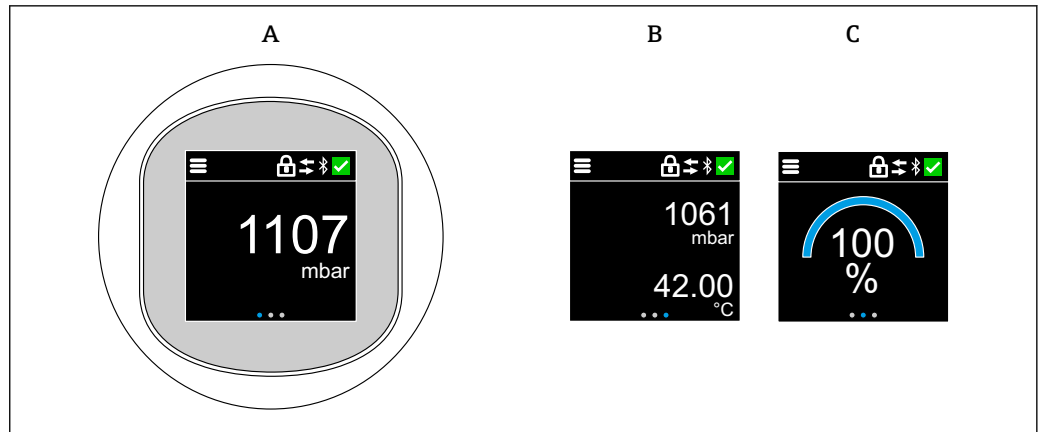
- Display measured values, also fault and notice messages
- Display a symbol in the event of an error
- Electronically adjustable onsite display (automatic or manual adjustment of display in 90° increments)
 -  The measured value display rotates automatically depending on the orientation when the device is started. ¹⁾
- Basic settings via the onsite display with touch control ²⁾
 - Locking On/Off
 - Select the operating language
 - Bluetooth On/Off
 - Commissioning wizard for basic settings
 - Read the device information, such as the name, serial number and firmware version
 - Active diagnosis and status
 - Device reset
 - Invert colors for bright lighting conditions

The backlighting is automatically adjusted depending on the terminal voltage.

 The following figure is an example. The display depends on the settings of the onsite display.

1) The measured value display only rotates automatically if automatic alignment is switched on.

2) For devices without touch control, settings can be made using operating tools (FieldCare, DeviceCare, SmartBlue).



A0053054

- A Standard display: 1 measured value with unit (adjustable)
 B 2 measured values, each with unit (adjustable)
 C Graphic measured value display in %

The standard display can be permanently set via the operating menu.

Remote operation

Operation via Bluetooth® wireless technology (optional)

Prerequisite

- Device with Bluetooth order option
- Smartphone or tablet with Endress+Hauser SmartBlue app or PC with DeviceCare from version 1.07.07 or FieldXpert SMT70/SMT77

The connection has a range of up to 25 m (82 ft). The range can vary depending on environmental conditions such as attachments, walls or ceilings.



The operating keys on the display are locked as soon as the device is connected via Bluetooth.

Supported operating tools

Smartphone or tablet with Endress+Hauser SmartBlue app.

Certificates and approvals

Current certificates and approvals for the product are available at www.endress.com on the relevant product page:

1. Select the product using the filters and search field.
2. Open the product page.
3. Select **Downloads**.

Other certificates and approvals for the product are available under <https://www.endress.com>-> Downloads.

Hygienic design compliance

3-A and EHEDG-certified versions of the sensor are suitable for Cleaning-in-Place (CIP) and Sterilization-in-Place (SIP) without removing them from the plant. This means that the sensor does not need to be removed during cleaning. The maximum permitted pressure and temperature values for sensor and adapter must not be exceeded (see notes in this TI).

- Notes on installation and certification in accordance with 3-A and EHEDG:
 - 📄 SD02503F document "Hygienic approvals"
- Information on 3-A and EHEDG-certified adapters:
 - 📄 TI00426F document "Weld-in adapters, process adapters and flanges"
- ASME BPE: The measuring system meets the requirements of the ASME BPE standard (Bioprocessing Equipment)

Compliance with requirements derived from cGMP

- cGMP is applicable only to wetted parts:
- The certificate is only available in English.
 - Materials of construction
 - ADI-free based on EMA/410/01 Rev.3 (TSE/BSE-compliant)
 - Polishing and surface treatment
 - Materials and compounds compliance table: USP, FDA

TSE (BSE) compliance (ADI free - Animal Derived Ingredients)

- As the manufacturer, Endress+Hauser states:
- That the parts of this product in contact with the process are not made from materials derived from animals **or**
 - at least comply with the requirements of guidelines outlined in EMA/410/01 rev. 3 (TSE (BSE) compliance).

ASME BPE

The measuring system meets the requirements of the ASME BPE (Bioprocessing Equipment) standard.

Order information

Detailed ordering information is available from your nearest sales organization www.addresses.endress.com or in the Product Configurator at www.endress.com:

1. Select the product using the filters and search field.
2. Open the product page.
3. Select **Configuration**.

**Product Configurator - the tool for individual product configuration**

- Up-to-the-minute configuration data
- Depending on the device: Direct input of measuring point-specific information such as measuring range or operating language
- Automatic verification of exclusion criteria
- Automatic creation of the order code and its breakdown in PDF or Excel output format
- Ability to order directly in the Endress+Hauser Online Shop

Identification**Measuring point (TAG)**

The device can be ordered with a tag name.

Location of tag name

Select in the additional specification:

- Stainless steel wired-on tag plate
- Paper adhesive label
- Tag provided by the customer
- Nameplate
- IEC 61406 stainless steel tag
- IEC 61406 stainless steel + NFC tag
- IEC 61406 stainless steel, stainless steel tag
- IEC 61406 stainless steel + NFC, stainless steel
- IEC 61406 stainless steel tag, plate provided
- IEC 61406 stainless steel + NFC, plate provided

Definition of tag name

Specify in the additional specification:

3 lines of maximum 18 characters each

The specified tag name appears on the selected plate.

Visualization in SmartBlue app

The first 32 characters of the tag name

The tag name can always be changed specifically for the measuring point via Bluetooth.

Display on the nameplate

The first 16 characters of the tag name

Display in electronic nameplate (ENP)

The first 32 characters of the tag name



For details, see document SD03128P

Service

The following services, among others, can be selected using the Product Configurator.

- Cleaned of oil+grease (wetted)
- Set HART burst mode PV
- Set max. alarm current
- Bluetooth communication is disabled on delivery
- Customized empty/full calibration
- Product documentation on paper

A printed (hard copy) version of test reports, declarations and inspection certificates can optionally be ordered via the **Service**, Version, **Product documentation on paper** option. The required documents can be selected under the feature **Test, certificate, declaration** and are then included with the device on delivery.

Accessories

Device-specific accessories

M12 socket

M12 socket, straight

- Material:
 - Body: PA; union nut: stainless steel; seal: EPDM
- Degree of protection (fully locked): IP69
- Order number: 71638191

M12 socket, elbowed

- Material:
 - Body: PA; union nut: stainless steel; seal: EPDM
- Degree of protection (fully locked): IP69
- Order number: 71638253

Cables

Cable 4 x 0.34 mm² (20 AWG) with M12 socket, elbowed, screw plug, length 5 m (16 ft)

- Material: body: TPU; union nut: nickel-plated die-cast zinc; cable: PVC
- Degree of protection (fully locked): IP68/69
- Order number: 52010285
- Wire colors
 - 1 = BN = brown
 - 2 = WT = white
 - 3 = BU = blue
 - 4 = BK = black

Welding neck, process adapter and flange



For details, refer to TI00426F/00/EN "Weld-in adapters, process adapters and flanges".

Mechanical accessories



For technical data (e.g. materials, dimensions or order numbers), see the accessory document SD01553P.

Device Viewer

All the spare parts for the device, along with the order code, are listed in the *Device Viewer* (www.endress.com/deviceviewer).

Field Xpert SMT70

Universal, high-performance tablet PC for device configuration in Ex Zone 2 and non-Ex areas



For details, see "Technical Information" TI01342S

Field Xpert SMT77

Universal, high-performance tablet PC for device configuration in Ex Zone 1 areas



For details, see "Technical Information" TI01418S

SmartBlue app

Mobile app for easy configuration of devices on site via Bluetooth wireless technology

Documentation



For an overview of the scope of the associated Technical Documentation, refer to the following:

- *Device Viewer* (www.endress.com/deviceviewer): Enter the serial number from the nameplate
- *Endress+Hauser Operations app*: Enter serial number from nameplate or scan matrix code on nameplate.

Standard documentation

Document type: Operating Instructions (BA)

Installation and initial commissioning – contains all the functions in the operating menu that are needed for a routine measuring task. Functions beyond this scope are not included.

Document type: Description of Device Parameters (GP)

The document is part of the Operating Instructions and serves as a reference for parameters, providing a detailed explanation of each individual parameter of the operating menu.

Document type: Brief Operating Instructions (KA)

Quick guide to the first measured value – includes all essential information from incoming acceptance to electrical connection.

Document type: Safety Instructions, certificates

Depending on the approval, safety instructions are supplied with the device, e.g. XA. This documentation is an integral part of the Operating Instructions.

Information on the Safety Instructions (XA) that are relevant for the device is provided on the nameplate.

Supplementary device-dependent documentation

Additional documents are supplied depending on the device version ordered: Always comply strictly with the instructions in the supplementary documentation. The supplementary documentation is an integral part of the device documentation.

Registered trademarks

Apple®

Apple, the Apple logo, iPhone, and iPod touch are trademarks of Apple Inc., registered in the U.S. and other countries. App Store is a service mark of Apple Inc.

Android®

Android, Google Play and the Google Play logo are trademarks of Google Inc.

Bluetooth®

The *Bluetooth®* word mark and logos are registered trademarks owned by the Bluetooth SIG, Inc. and any use of such marks by Endress+Hauser is under license. Other trademarks and trade names are those of their respective owners.







71668319

www.addresses.endress.com
