

# Technical Information

## FlowFit CPA25

Flow assembly for 12 mm sensors for pH/ORP, conductivity and oxygen measurement



### Application

The Flowfit CPA25 flow assembly is designed for the implementation of measuring points in industrial auxiliary processes and in water/wastewater treatment. It has room for three sensors and keeps the sensors wet even if flow is interrupted. This ensures a longer sensor operating life. The assembly itself is made from corrosion-resistant polypropylene and is therefore very durable. With Flowfit CPA25, you get the perfect product for your standard applications. Flowfit CPA25 can be used in many applications in industrial auxiliary processes and in water/wastewater treatment. It is designed for a variety of applications, including:

- Drinking water supply
- Water and wastewater treatment
- Water cooling circuits
- Osmosis systems

It can be used at pressures up to 6 bar (87 psi).

### Your benefits

- Compact design with 3x PG 13.5 sensor slots.
- Special flow geometry to achieve reliable and stable measured values from the installed sensors.
- Siphon profile protects the sensors from drying out during plant downtimes.
- Service cap for easy sensor cleaning and installation.
- Sensor calibration to check sensors are functioning correctly can be performed with sensors installed.

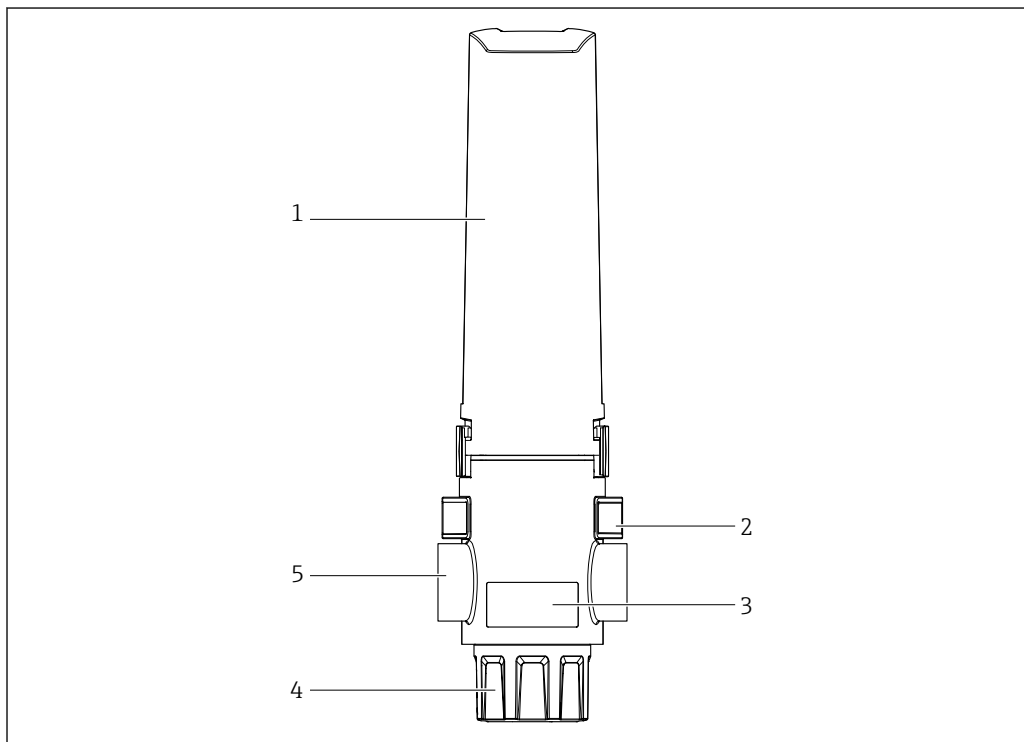
## Function and system design

### Operating principle

The Flowfit CPA25 flow assembly is designed for the installation of up to 3x PG 13.5 sensor slots with a nominal shaft length of approx. 120 mm (4.72 in).

The assembly is used to implement measuring points for nonhazardous liquids in the water / wastewater treatment sectors and in industrial auxiliary processes.

Thanks to its design, it can be used in pressurized systems.



A0051130

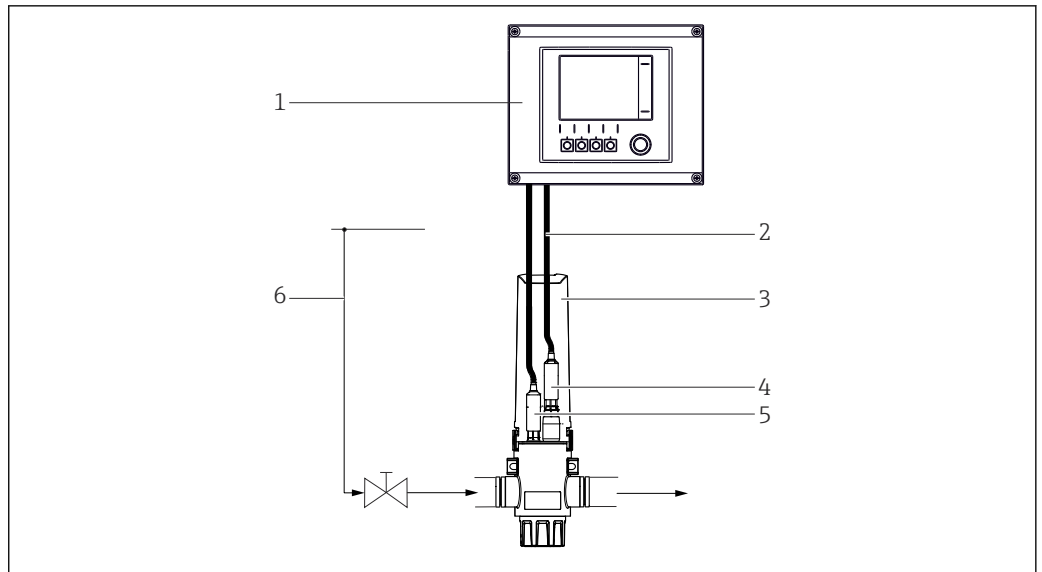
#### 1 Overview of CPA25

- 1 Splash cover
- 2 Mounting hole
- 3 Nameplate
- 4 Service cap
- 5 Process connection

### Measuring system

A complete measuring system comprises:

- Flowfit CPA25 assembly
- Up to 3 sensors with a shaft length of 120 mm (4.72 in), e.g. pH Memosens CPS11E, conductivity Memosens CLS82E or oxygen COS81E
- Transmitter, e.g. Liquiline CM44x
- Measuring cable, e.g. CYK10



A0051847

2 Example of a measuring system with Flowfit CPA25

- 1 Liquiline CM44x transmitter
- 2 Measuring cable CYK10
- 3 Flowfit CPA25 assembly
- 4, 5 12 mm sensors, e.g. pH Memosens CPS61E, conductivity Memosens CLS82E or oxygen COS81E
- 6 Sample water supply with valve

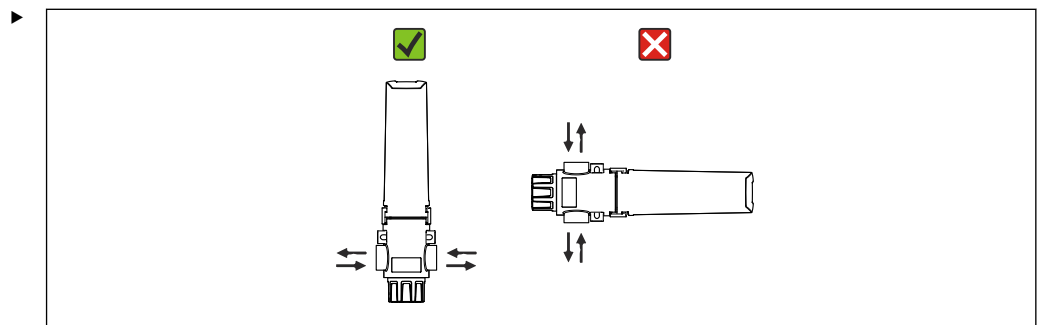
**Dependability**

- The assemblies are manufactured in accordance with Endress+Hauser's certified quality criteria.
- The fixed assembly is manufactured from high-grade materials:
  - Assembly: polypropylene (PP)
  - Blind plug: polyvinylidene fluoride (PVDF)
  - Only these materials and the relevant seal (EPDM or FKM) are in contact with the process medium.

**Mounting**

**Orientation**

- The assembly is designed for installation in pipe networks. Suitable supply lines and discharge lines must be provided by the customer onsite.
- The seal to the process connections that seals the assembly from the supply and discharge lines must be provided by the customer onsite.



A0052001

Only mount the assembly vertically.

↳ This allows the medium to flow through horizontally.

## Environment

**Ambient temperature range** -15 to +60 °C (5 to +140 °F)

**Storage temperature** -15 to +60 °C (5 to +140 °F)

## Process

**i** Thermoplastics have temperature-dependent mechanical properties.

- Observe these properties when selecting components.

**Process temperature range** 0 to 80 °C (32 to 176 °F)

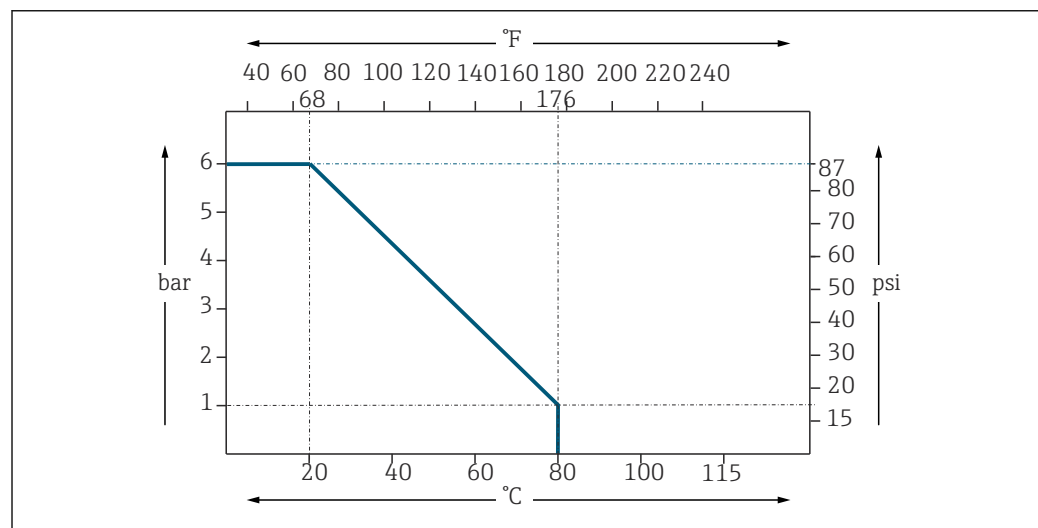
**Process pressure range** 0 to 6 bar (0 to 87 psi) relative

**Maximum pressure at up to 20°C (68°F)**

6 bar (87 psi) gauge pressure

**Maximum pressure at 80°C (176°F)**

1 bar (14.5 psi) gauge pressure



A0051695

**3** Temperature/pressure ratings

**Flow limit**

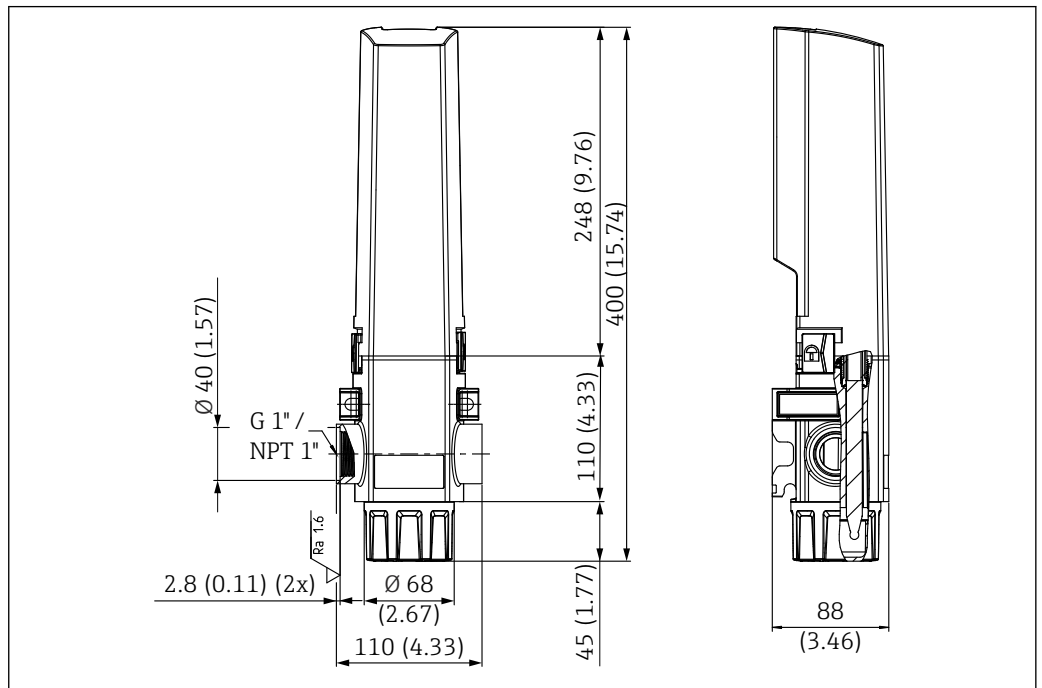
**Flow velocity**

- Pay attention to limitations of the sensors.

Depending on the flow velocity, the zeta value of the assembly is between: 4.5 to 5.5

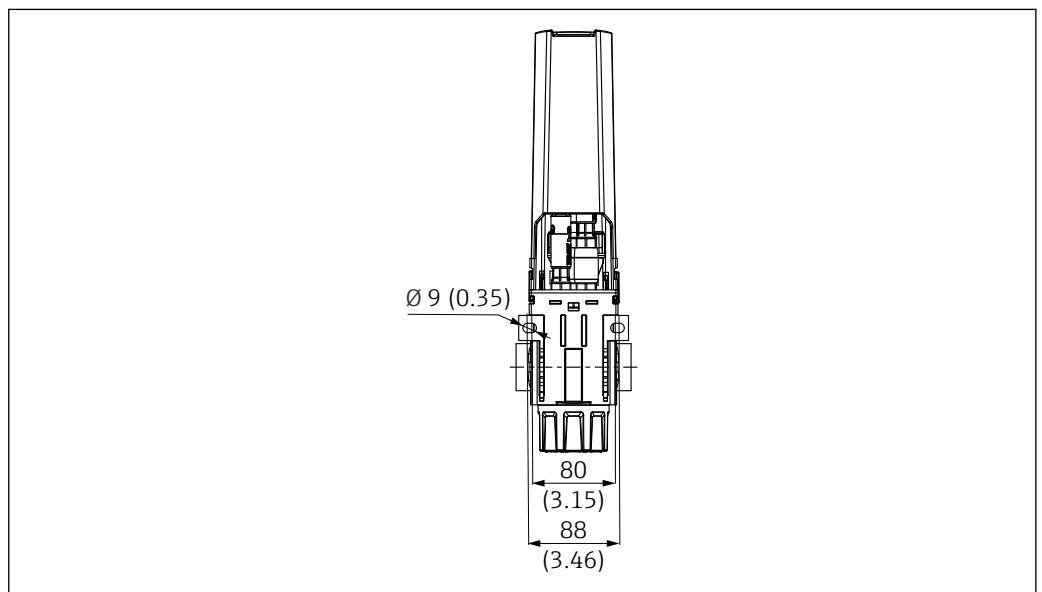
## Mechanical construction

### Design, dimensions



A0051269

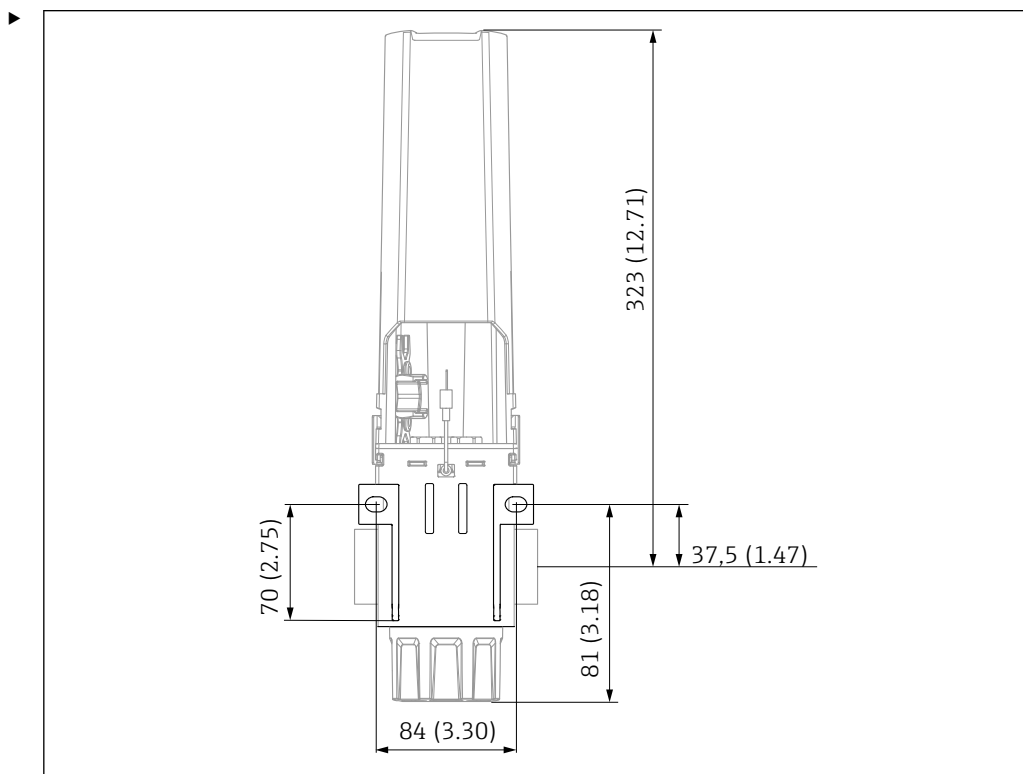
4 Dimensions. Unit of measurement mm (in)



A0051269

5 Dimensions of bore for wall holder. Unit of measurement mm (in)

The assembly has an integrated wall holder.



A0052073

Screw the assembly onto a wall or mounting plate with suitable screws (see the dimensions).

**Weight** Approx. 0.8 kg (1.8 lbs)

#### Materials

Component	Material
Flow housing	PP
Service cap	PP
Splash cover	PP
Adapters	PP
Blind plug	PVDF
PAL option 1 (option 1 and 2 mutually exclude one another)	1.4404/316L
PAL option 2 (option 1 and 2 mutually exclude one another)	3.7035/ Ti Grade 2

#### Process connections

Depending on version:

- 2 x G1 (female)
- 2 x NPT 1" (female)

Optional adapters:

- G1" to G1/2" female thread
- G1" to G3/4" female thread

Seal is supplied by customer:  
e.g. PTFE tape

#### Sensor connections

3x PG13.5

#### Supported shaft length

120 mm (4.72 in)

**Maximum number of sensors installed**

3 sensors possible, e.g.:

- 2 with Memosens connection
- 1 with KCl connection

## Ordering information

### Ordering instructions

Create the order code for the assembly as follows:

1. Is the assembly used in the hazardous or non-hazardous area?
2. Select the drive type and the limit position switches.
3. Select the type of service chamber.
4. What material should the wetted seals be made of?
5. What material should the wetted surfaces be made of?
6. Select the suitable process connection.
7. Which connections should the service chamber have?


Order the accessories as follows:

- If you wish to order the accessories together with the assembly, then use the accessory code of the product structure.
- If you only wish to order accessories, then use the order numbers from the "Accessories" section.

### Product page

[www.endress.com/CPA25](http://www.endress.com/CPA25)

### Product Configurator

1. **Configure:** Click this button on the product page.
  2. Select **Extended selection**.
    - ↳ The Configurator opens in a separate window.
  3. Configure the device according to your requirements by selecting the desired option for each feature.
    - ↳ In this way, you receive a valid and complete order code for the device.
  4. **Apply:** Add the configured product to the shopping cart.
-  For many products, you also have the option of downloading CAD or 2D drawings of the selected product version.
5. **Show details:** Open this tab for the product in the shopping cart.
    - ↳ The link to the CAD drawing is displayed. If selected, the 3D display format is displayed along with the option to download various formats.

### Scope of delivery

The scope of delivery comprises:

- Assembly in the version ordered
- Splash cover
- Service cap
- Auxiliary tool for mounting sensor
- Anti-bend protector for KCl supply
- Blind plug (3x)
- Operating Instructions
- Optionally selected accessories



## Certificates and approvals

Current certificates and approvals that are available for the product can be selected via the Product Configurator at [www.endress.com](http://www.endress.com):

1. Select the product using the filters and search field.
2. Open the product page.
3. Select **Configuration**.

## Accessories

The following are the most important accessories available at the time this documentation was issued.

Listed accessories are technically compatible with the product in the instructions.

1. Application-specific restrictions of the product combination are possible. Ensure conformity of the measuring point to the application. This is the responsibility of the operator of the measuring point.
2. Pay attention to the information in the instructions for all products, particularly the technical data.
3. For accessories not listed here, please contact your Service or Sales Center.

### Device-specific accessories

#### Sensors

##### *pH sensors*

##### **Memosens CPS11E**

- pH sensor for standard applications in process and environmental engineering
- Digital with Memosens 2.0 technology
- Product Configurator on the product page: [www.endress.com/cps11e](http://www.endress.com/cps11e)



Technical Information TI01493C

##### **Orbisint CPS11**

- pH sensor for process technology
- With dirt-repellent PTFE diaphragm
- Product Configurator on the product page: [www.endress.com/cps11](http://www.endress.com/cps11)



Technical Information TI00028C

##### **Memosens CPS31E**

- pH sensor for standard applications in drinking water and swimming pool water
- Digital with Memosens 2.0 technology
- Product Configurator on the product page: [www.endress.com/cps31e](http://www.endress.com/cps31e)



Technical Information TI01574C

##### **Ceraliquid CPS41**

- pH electrode with ceramic junction and KCl liquid electrolyte
- Product Configurator on the product page: [www.endress.com/cps41](http://www.endress.com/cps41)



Technical Information TI00079C

##### **Memosens CPS41E**

- pH sensor for process technology
- With ceramic junction and KCl liquid electrolyte
- Digital with Memosens 2.0 technology
- Product Configurator on the product page: [www.endress.com/cps41e](http://www.endress.com/cps41e)



Technical Information TI01495C

##### **Memosens CPS61E**

- pH sensor for bioreactors in life sciences and for the food industry
- Digital with Memosens 2.0 technology
- Product Configurator on the product page: [www.endress.com/cps61e](http://www.endress.com/cps61e)



Technical Information TI01566C

##### **Memosens CPS71E**

- pH sensor for chemical process applications
- Digital with Memosens 2.0 technology
- Product Configurator on the product page: [www.endress.com/cps71e](http://www.endress.com/cps71e)



Technical Information TI01496C

**Ceragel CPS71**

- pH electrode with reference system including ion trap
- Product Configurator on the product page: [www.endress.com/cps71](http://www.endress.com/cps71)



Technical Information TI00245C

**Memosens CPS91E**

- pH sensor for heavily polluted media
- Digital with Memosens 2.0 technology
- Product Configurator on the product page: [www.endress.com/cps91e](http://www.endress.com/cps91e)



Technical Information TI01497C

**Orbipore CPS91**

- pH electrode with hole junction for media with high dirt load
- Product Configurator on the product page: [www.endress.com/cps91](http://www.endress.com/cps91)



Technical Information TI00375C

*ORP sensors***Memosens CPS12E**

- ORP sensor for standard applications in process and environmental engineering
- Digital with Memosens 2.0 technology
- Product Configurator on the product page: [www.endress.com/cps12e](http://www.endress.com/cps12e)



Technical Information TI01494C

**Orbisint CPS12**

- ORP sensor for process technology
- Product Configurator on the product page: [www.endress.com/cps12](http://www.endress.com/cps12)



Technical Information TI00367C

**Memosens CPS42E**

- ORP sensor for process technology
- Digital with Memosens 2.0 technology
- Product Configurator on the product page: [www.endress.com/cps42e](http://www.endress.com/cps42e)



Technical Information TI01575C

**Ceraliquid CPS42**

- ORP electrode with ceramic junction and KCl liquid electrolyte
- Product Configurator on the product page: [www.endress.com/cps42](http://www.endress.com/cps42)



Technical Information TI00373C

**Memosens CPS72E**

- ORP sensor for chemical process applications
- Digital with Memosens 2.0 technology
- Product Configurator on the product page: [www.endress.com/cps72e](http://www.endress.com/cps72e)



Technical Information TI01576C

**Ceragel CPS72**

- ORP electrode with reference system including ion trap
- Product Configurator on the product page: [www.endress.com/cps72](http://www.endress.com/cps72)



Technical Information TI00374C

*pH-ISFET sensors***Memosens CPS47E**

- ISFET sensor for pH measurement
- Digital with Memosens 2.0 technology
- Product Configurator on the product page: [www.endress.com/cps47e](http://www.endress.com/cps47e)



Technical Information TI01616C

**Memosens CPS77E**

- Sterilizable and autoclavable ISFET sensor for pH measurement
- Digital with Memosens 2.0 technology
- Product Configurator on the product page: [www.endress.com/cps77e](http://www.endress.com/cps77e)



Technical Information TI01396

*Combined pH/ORP sensors***Memosens CPS16E**

- pH/ORP sensor for standard applications in process technology and environmental engineering
- Digital with Memosens 2.0 technology
- Product Configurator on the product page: [www.endress.com/cps16e](http://www.endress.com/cps16e)



Technical Information TI01600C

**Memosens CPS76E**

- pH/ORP sensor for process technology
- Digital with Memosens 2.0 technology
- Product Configurator on the product page: [www.endress.com/cps76e](http://www.endress.com/cps76e)



Technical Information TI01601C

**Memosens CPS96E**

- pH/ORP sensor for heavily polluted media and suspended solids
- Digital with Memosens 2.0 technology
- Product Configurator on the product page: [www.endress.com/cps96e](http://www.endress.com/cps96e)



Technical Information TI01602C

*Conductivity sensors***Memosens CLS82E**

- Hygienic conductivity sensor
- Digital with Memosens 2.0 technology
- Product Configurator on the product page: [www.endress.com/cls82e](http://www.endress.com/cls82e)



Technical Information TI01529C

*Oxygen sensors***Oxymax COS22E**

- Sterilizable sensor for dissolved oxygen
- Digital with Memosens 2.0 technology
- Product Configurator on the product page: [www.endress.com/cos22e](http://www.endress.com/cos22e)



Technical Information TI00446C

**Oxymax COS22D / COS22**

- Sterilizable sensor for dissolved oxygen
- With Memosens technology or as an analog sensor
- Product Configurator on the product page: [www.endress.com/cos22d](http://www.endress.com/cos22d) or [www.endress.com/cos22](http://www.endress.com/cos22)



Technical Information TI00446C

**Memosens COS81E**

- Hygienic optical oxygen sensor with maximum measurement stability over multiple sterilization cycles
- Digital with Memosens 2.0 technology
- Product Configurator on the product page: [www.endress.com/cos81e](http://www.endress.com/cos81e)



Technical Information TI01558C

**Process connections**

- G1" to G1/2" female thread; Order No. 71604519
- G1" to G3/4" female thread; Order No. 71604521

### **Mounting accessories**

Railing holder; Order No. 71573126

---

### **Service-specific accessories**

- Splash cover; Order No. 71572887
- Service cap; Order No. 71573088
- Cover without PML; Order No. 71573103
- Cover with PML 316L/EPDM; Order No. 71573106
- Cover with PML titanium/EPDM; Order No. 71573116
- Cover with PML 316L/FKM; Order No. 71573119
- Cover with PML titanium/FKM; Order No. 71573121
- Blind plugs PG13.5; Order No. 71573122

### **Cleaning accessories**

Cleaning brushes; Order No. 71573123

### **Seals**

- EPDM seals; Order No. 71572882
- FKM seals; Order No. 71572884
- Silicone grease for seals; Order No. 71573128

---





71605175

[www.addresses.endress.com](http://www.addresses.endress.com)

---