



Level



Pressure



Flow



Temperature



Liquid  
Analysis



Registration



Systems  
Components



Services



Solutions

Technical Information

# Industrial thermowell Omnigrad TA562

Heavy duty - General purpose

From hexagonal bar stock - Threaded process connections

Also DuPont SR1T/SR2T

## Application

TA562 is designed for use with resistance and thermocouple thermometers mainly in heavy duty applications.

## Benefits at a glance

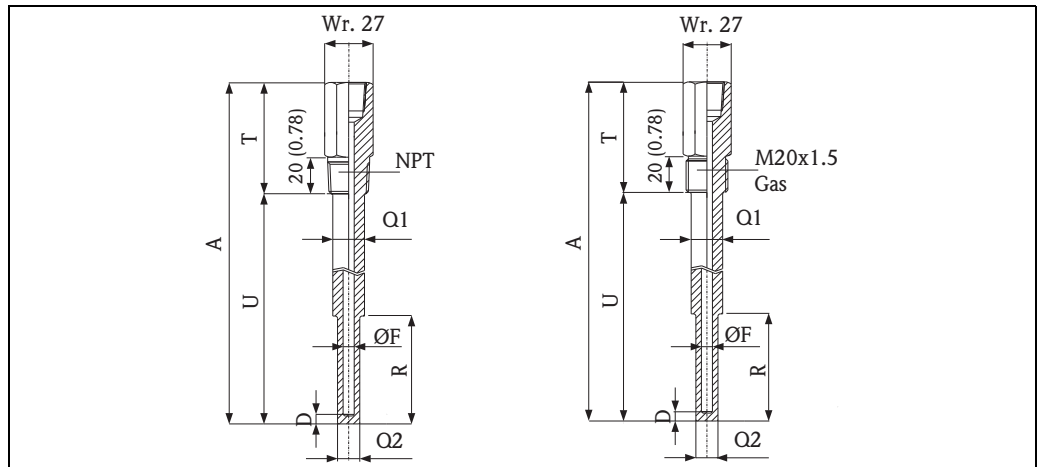
- TA562 is an industry standard thermowell, manufactured from hexagonal bar stock.
- The process connections are threaded: 1/2"NPT, 3/4"NPT, G1/2" or M20x1.5
- The thermowell stem shape can be straight or reduced for fast response time.
- Extension, immersion length and reduced length as well as the bar dimensions can be chosen according to process requirements.
- A wide choice of standard materials is available.
- Special versions can be manufactured according to specification.
- Different grades of surface finishing are available.



## Technical data

<b>Hexagonal bar</b>	Wrench:	27 mm (1.06 in)
	Outer diameter (OD):	≤ 15 mm for G½" process connection ≤ 16 mm for ½" NPT process connection ≤ 16 mm for M20x1.5 process connection ≤ 22 mm for ¾" NPT process connection
	Standard bore diameter:	6.5 or 10 mm (0.26 or 0.39 in)
	Standard material:	AISI304, AISI316Ti, AISI316, AISI316L
<b>Connection to thermometer</b>	Threaded:	½" NPT, G½" (½" BSP) or M20x1.5 - female
<b>Process connection</b>	Threaded:	½" NPT, ¾" NPT, G½" or M20x1.5
<b>Tip</b>	Bottom shape:	flat
	Bottom thickness:	6.35 mm (0.25 in)
<b>Surface</b>	Finishing:	0.8 micron - standard
		1.6 micron

## Mechanical construction



A0019018-EN

Pos.-No.	Description
A	Total length ( $A=T+U$ )
U	Immersion length
T	Extension length
R	Thermowell tip length
Q1	Outside diameter
Q2	Reduced diameter
ØF	Bore diameter
D	Bottom thickness

### Gasket

For cylindrical threads (M20x1.5, G½") a gasket must be used to seal the connection.

Possible gasket dimensions:

- G½": gasket 26x21.3x1.5 copper
- M20x1.5: gasket 24x20.3x1.5 copper

The material of the gasket has to be resistant against the process medium.

The gaskets are not part of the delivery.

## Ordering information

---

### Detailed ordering information is available from the following sources:

- In the **Product Configurator** on the Endress+Hauser website:  
www.endress.com → Select country → Instruments → Select device → Product page function: Configure this product
- From your Endress+Hauser Sales Center:  
www.endress.com/worldwide

### Product Configurator - the tool for individual product configuration:

- Up-to-the-minute configuration data
- Depending on the device: Direct input of measuring point-specific information such as measuring range or operating language
- Automatic verification of exclusion criteria
- Automatic creation of the order code and its breakdown in PDF or Excel output format
- Ability to order directly in the Endress+Hauser Online Shop

### Instruments International

Endress+Hauser  
Instruments International AG  
Kaegenstrasse 2  
4153 Reinach  
Switzerland

Tel.+41 61 715 81 00  
Fax+41 61 715 25 00  
www.endress.com  
info@ii.endress.com

Endress + Hauser   
People for Process Automation