



Level



Pressure



Flow



Temperature



Liquid
Analysis



Registration



Systems
Components



Services



Solutions

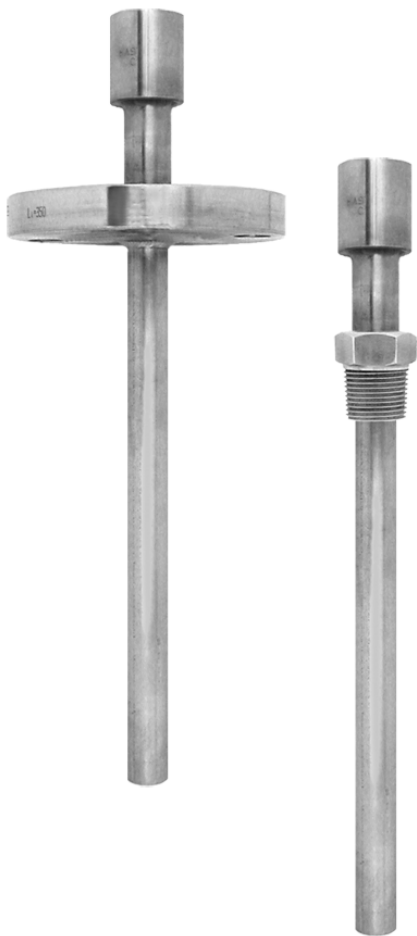
Technical Information

Industrial thermowell Omnigrad TA540

Heavy duty - General purpose

From pipe - Threaded or flanged weld type

Also ENI TUB 1/2/3/4



Application

TA540 is designed for use with resistance and thermocouple thermometers in heavy duty applications.

Benefits at a glance

- TA540 is an industry standard thermowell with a cylindrical extension.
- The process connection can either be threaded or flanged weld.
- The thermowell stem shape can be straight or reduced for fast response time.
- Extension, immersion length and total length can be chosen according to process requirements.
- A wide choice of pipe sizes, materials and process connections is available.
- Special versions can be manufactured according to specification.

Technical data

Pipe	<ul style="list-style-type: none"> ■ Standard reference: ENI TUB 1, ENI TUB 2, ENI TUB 3, ENI TUB 4 ■ Cylindrical extension: Ø35 mm (1.38 in) ■ Thermowell diameter: ¼" sch. 40/80, ½" sch. 40/80, ¾" sch. 40/80 <p>Insert diameter: 6 mm (0.25 in) Material: AISI316/W.1.4404, AISI446/W.1.4749</p>
-------------	---

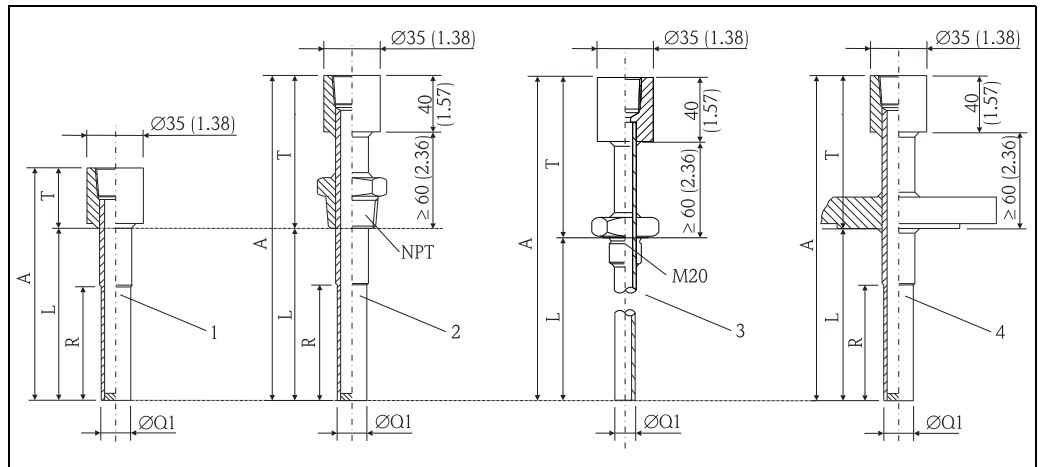
Connection to thermometer	Threaded: ½" NPT, ¾" NPT - female, M20x1.5
----------------------------------	--

Process connection

Threaded or flanged					
Thread	½" NPT	¾" NPT	1" NPT	1½" NPT	M20x1.5
Engagement length	8 mm (0.31 in)	8.5 mm (0.33 in)	10 mm (0.39 in)	10.5 mm (0.41 in)	15 mm (0.6 in)
Flange type	ANSI blind flange, DIN 2527/2526 Form C, UNI6000				
Flange material	AISI 316, A 105				
Flange welding	double side standard weld				

Tip	<ul style="list-style-type: none"> ■ Tip: straight, rounded or with reduced diameter ■ Bottom shape: flat ■ Bottom thickness: 5 mm (0.20 in)
------------	---

Mechanical construction



Thermowell dimensions in mm (in):

- 1 Thermowell without process connection
- 2 Thermowell with NPT thread as process connection
- 3 Thermowell with M20 thread as process connection
- 4 Thermowell with flange as process connection

Pos.-No.	Description
A	Total length (A=T+L)
L	Immersion length
ØQ1	Diameter thermowell tip, specification see product structure
R	Thermowell tip length, specification see product structure
T	Extension, specification see product structure

Gasket

For cylindrical threads (M20x1.5) a gasket must be used to seal the connection.

Possible gasket dimension:

- M20x1.5: gasket 24x20.3x1.5 copper

The material of the gasket has to be resistant against the process medium.

The gasket is not part of the delivery.

Ordering information

Detailed ordering information is available from the following sources:

- In the **Product Configurator** on the Endress+Hauser website:
www.endress.com → Select country → Instruments → Select device → Product page function: Configure this product
- From your Endress+Hauser Sales Center:
www.endress.com/worldwide

Product Configurator - the tool for individual product configuration:

- Up-to-the-minute configuration data
- Depending on the device: Direct input of measuring point-specific information such as measuring range or operating language
- Automatic verification of exclusion criteria
- Automatic creation of the order code and its breakdown in PDF or Excel output format
- Ability to order directly in the Endress+Hauser Online Shop

Instruments International

Endress+Hauser
Instruments International AG
Kaegenstrasse 2
4153 Reinach
Switzerland

Tel.+41 61 715 81 00
Fax+41 61 715 25 00
www.endress.com
info@ii.endress.com

Endress + Hauser 
People for Process Automation