

# Technical Information

## T53, T54 and T55

Explosion proof thermocouple assemblies in thermowells with spring loaded insert and enclosure for process industry



### Application

Magnesium Oxide insulated thermocouples, commonly referred to as MgO thermocouples, are used in many process and laboratory applications. They have many desirable characteristics making thermocouples a good choice for general and special purpose applications.

The sensor assemblies can be used in process industries such as:

- Chemicals
- Petrochemical
- Refineries
- Offshore Platforms

### Head transmitter

All Endress+Hauser transmitters are available with enhanced accuracy and reliability compared to directly wired sensors. Easy customizing by choosing one of the following outputs and communication protocols:

- Analog output 4 to 20 mA
- HART®
- PROFIBUS® PA
- FOUNDATION Fieldbus™

### Field transmitter

Temperature field transmitters with HART® or FOUNDATION Fieldbus™ protocol for highest reliability in harsh industrial environments. Backlit display with large measured value, bargraph and fault condition indication for ease of reading.

### Your benefits

- FM/CSA XP Class I, Div. 1 approved temperature assemblies for maximum safety.
- One source shopping for temperature measurement solutions. World class transmitter with integrated sensor offering for heavy process industry applications. Remove and install straight out of the box!
- Improved galvanic isolation on most devices (2 kV)
- Simplified model structure: Competitively priced, offers great value. Easy to order and reorder. A single model number includes sensor, thermowell and transmitter assembly for a complete point solution.
- All iTEMP transmitters provide long-term stability  $\leq 0.05\%$  per year

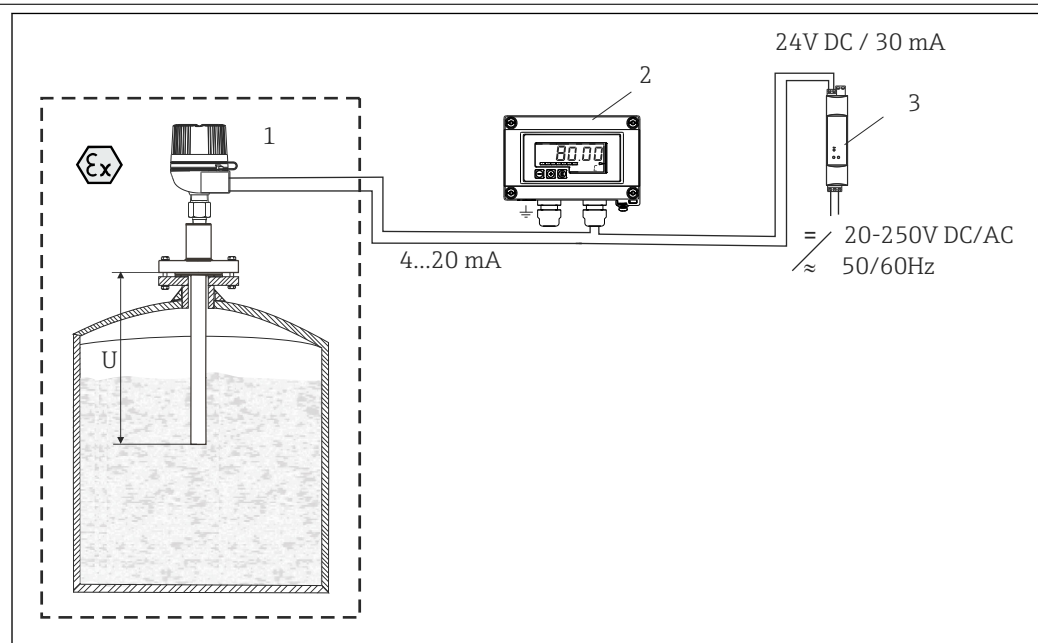
## Function and system design

### Measuring principle

#### Thermocouples (TC)

Thermocouples are comparatively simple, robust temperature sensors which use the Seebeck effect for temperature measurement: if two electrical conductors made of different materials are connected at a point, a weak electrical voltage can be measured between the two open conductor ends if the conductors are subjected to a thermal gradient. This voltage is called thermoelectric voltage or electromotive force (emf.). Its magnitude depends on the type of conducting materials and the temperature difference between the "measuring point" (the junction of the two conductors) and the "cold junction" (the open conductor ends). Accordingly, thermocouples primarily only measure differences in temperature. The absolute temperature at the measuring point can be determined from these if the associated temperature at the cold junction is known or is measured separately and compensated for. The material combinations and associated thermoelectric voltage/temperature characteristics of the most common types of thermocouple are standardized in the IEC 60584 and ASTM E230/ANSI MC96.1 standards.

### Measuring system



A0024883

#### 1 Application example

- 1 Mounted thermometer with head transmitter installed.
- 2 RIA15 process display - The display unit records the analog measuring signal from the head transmitter and shows this on the display. The LC display shows the current measured value in digital form and as a bar graph indicating a limit value violation. The process display unit is integrated in the 4 to 20 mA or HART® loop and is powered directly from the current loop. Optionally up to four of a sensor's HART® process variables can be displayed. More information on this can be found in the Technical Information, see "Documentation".
- 3 Active barrier RN221N - The RN221N (24 V<sub>DC</sub>, 30 mA) active barrier has a galvanically isolated output for supplying voltage to loop-powered transmitters. The universal power supply works with an input supply voltage of 20 to 250 V DC/AC, 50/60 Hz, which means that it can be used in all international power grids. More information on this can be found in the Technical Information, see "Documentation".

## Input

**Measured variable** Temperature (temperature-linear transmission behavior)

**Measurement range**

Upper temperature limits for various sheath diameters °C (°F)					
Sheath O.D.	Type T	Type J	Type E	Type K	Type N
∅ ¼ in	370 °C (700 °F)	370 °C (700 °F)	820 °C (1510 °F)	1150 °C (2100 °F)	
Maximum element temperature range limits	-270 to +400 °C (-454 to +752 °F)	-210 to +1200 °C (-346 to +2192 °F)	-270 to +1000 °C (-454 to +1832 °F)	-270 to +1372 °C (-454 to +2500 °F)	-270 to +1300 °C (-454 to +2372 °F)



These values are valid for single and duplex thermocouples. The temperature limits given are intended only as a guide to the user and should not be taken as absolute values or as guarantees of satisfactory life or performance. These types and sizes are sometimes used at temperatures above the given limits, but usually at the expense of stability or life or both. In other instances, it may be necessary to reduce the above limits in order to achieve adequate service.

Thermocouples with 316 SS sheath and assemblies with 316 SS thermowells are rated for a maximum temperature of 927 °C (1700 °F).

## Output

**Output signal**

Generally, the measured value can be transmitted in one of two ways:

- Directly-wired sensors - sensor measured values forwarded without a transmitter.
- Via all common protocols by selecting an appropriate Endress+Hauser iTEMP temperature transmitter. All the transmitters listed below are mounted directly in the terminal head or as field transmitter and wired with the sensory mechanism.

**Family of temperature transmitters**

Thermometers fitted with iTEMP transmitters are an installation-ready complete solution to improve temperature measurement by significantly increasing accuracy and reliability, when compared to direct wired sensors, as well as reducing both wiring and maintenance costs.

### PC programmable head transmitters

They offer a high degree of flexibility, thereby supporting universal application with low inventory storage. The iTEMP transmitters can be configured quickly and easily at a PC. Endress+Hauser offers free configuration software which can be downloaded from the Endress+Hauser Website. More information can be found in the Technical Information.

### HART® programmable head transmitters

The transmitter is a 2-wire device with one or two measuring inputs and one analog output. The device not only transfers converted signals from resistance thermometers and thermocouples, it also transfers resistance and voltage signals using HART® communication. It can be installed as an intrinsically safe apparatus in Zone 1 hazardous areas and is used for instrumentation in the terminal head (flat face) as per DIN EN 50446. Swift and easy operation, visualization and maintenance using universal device configuration tools like FieldCare, DeviceCare or FieldCommunicator 375/475. For more information, see the Technical Information.

### PROFIBUS® PA head transmitters

Universally programmable head transmitter with PROFIBUS® PA communication. Conversion of various input signals into digital output signals. High accuracy over the complete ambient temperature range. The configuration of PROFIBUS PA functions and of device-specific parameters is performed via fieldbus communication. For more information, see the Technical Information.

### FOUNDATION Fieldbus™ head transmitters

Universally programmable head transmitter with FOUNDATION Fieldbus™ communication. Conversion of various input signals into digital output signals. High accuracy over the complete ambient temperature range. All transmitters are released for use in all important process control

systems. The integration tests are performed in Endress+Hauser's "System World". For more information, see the Technical Information.

Advantages of the iTEMP transmitters:

- Dual or single sensor input (optionally for certain transmitters)
- Pluggable display (optionally for certain transmitters)
- Unsurpassed reliability, accuracy and long-term stability in critical processes
- Mathematical functions
- Monitoring of the thermometer drift, sensor backup functionality, sensor diagnostic functions
- Sensor-transmitter matching for dual sensor input transmitters, based on Callendar/Van Dusen coefficients

#### Field transmitter

Field transmitter with HART® or FOUNDATION Fieldbus™ communication and backlit display. Can be read easily from a distance, in sunlight and at night. Large measurement value, bargraph and fault indication displayed. Benefits are: dual sensor input, highest reliability in harsh industrial environments, mathematic functions, thermometer drift monitoring and sensor back-up functionality, corrosion detection.

#### Galvanic isolation

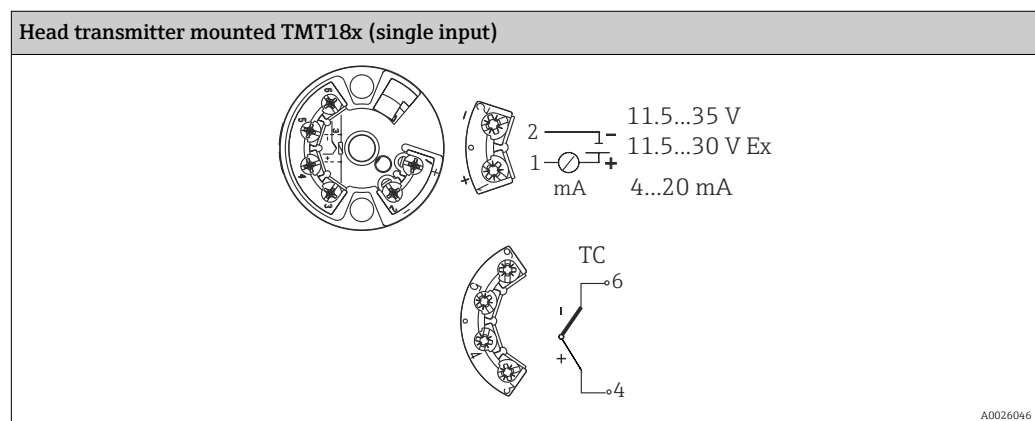
Galvanic isolation of Endress+Hauser iTEMP transmitters

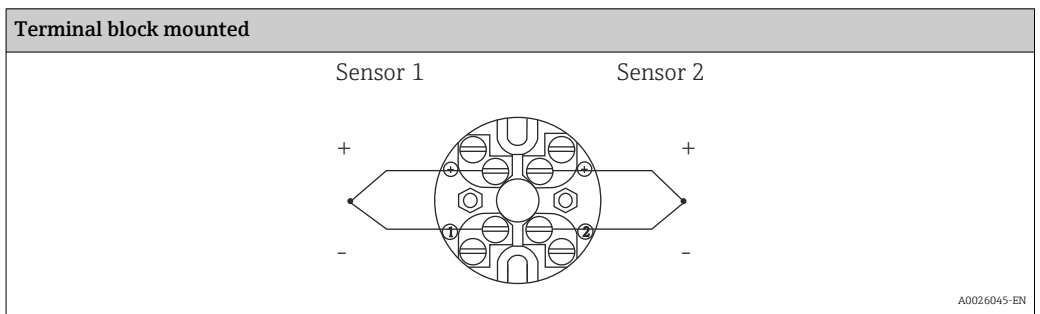
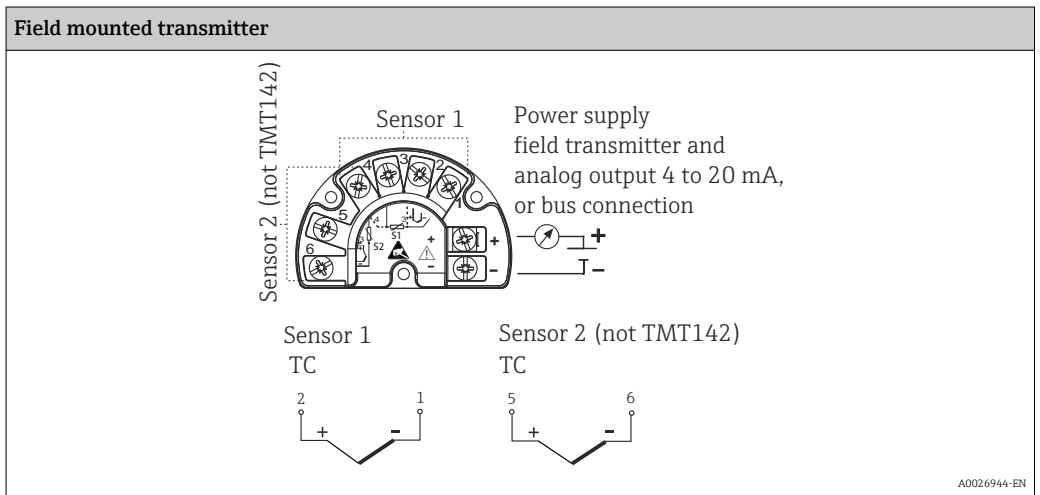
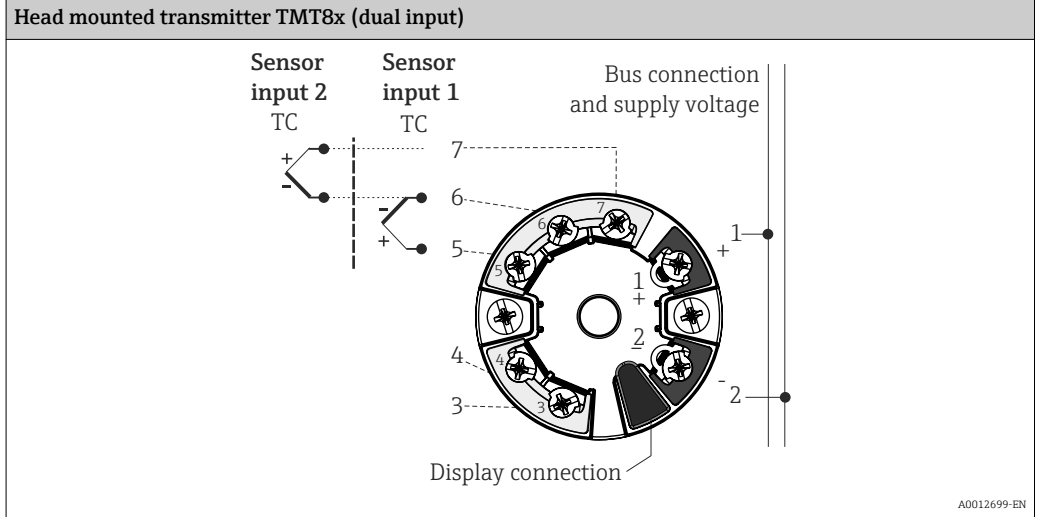
Transmitter type	Sensor
TMT181 PCP	$\hat{U} = 3.75 \text{ kV AC}$
TMT182 HART®	$U = 2 \text{ kV AC}$
TMT162 HART® Field transmitter	$U = 2 \text{ kV AC}$
TMT82 HART®	$U = 2 \text{ kV AC}$
TMT84 PA	
TMT85 FF	


## Power supply

#### Terminal assignments

Type of sensor connection





 The blocks and transmitters are shown as they sit inside the heads in reference to the conduit opening.

**Integrated overvoltage protection**

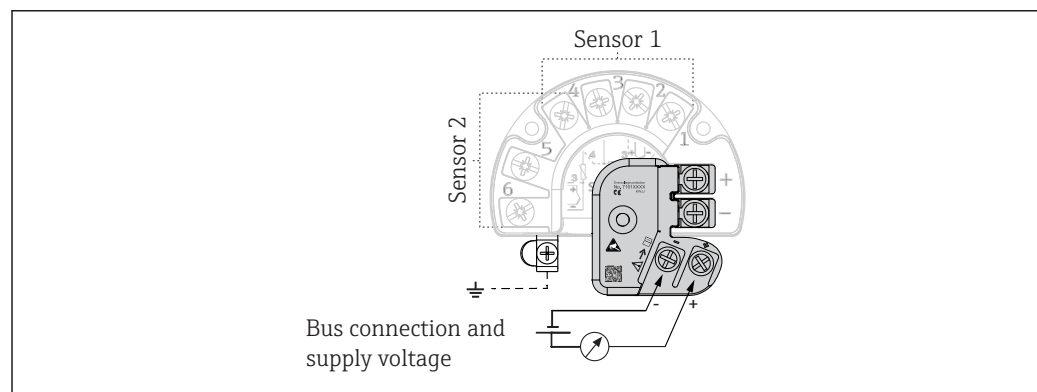
The integrated overvoltage protection module can be ordered as an optional extra <sup>1)</sup>. The module protects the electronics from damage from overvoltage. Overvoltage occurring in signal cables (e.g.

1) Available for the field transmitter with HART® 7 specification

4 to 20 mA, communication lines (fieldbus systems) and power supply is diverted to ground. The functionality of the transmitter is not affected as no problematic voltage drop occurs.

*Connection data:*

Maximum continuous voltage (rated voltage)	$U_C = 42 V_{DC}$
Nominal current	$I = 0.5 A$ at $T_{amb.} = 80\text{ °C}$ (176 °F)
Surge current resistance <ul style="list-style-type: none"> <li>▪ Lightning surge current D1 (10/350 <math>\mu</math>s)</li> <li>▪ Nominal discharge current C1/C2 (8/20 <math>\mu</math>s)</li> </ul>	<ul style="list-style-type: none"> <li>▪ <math>I_{imp} = 1\text{ kA}</math> (per wire)</li> <li>▪ <math>I_n = 5\text{ kA}</math> (per wire)</li> <li>▪ <math>I_m = 10\text{ kA}</math> (total)</li> </ul>
Temperature range	-40 to +80 °C (-40 to +176 °F)
Series resistance per wire	1.8 $\Omega$ , tolerance $\pm 5\%$



A0033027-EN

2 *Electrical connection of the overvoltage protection*

*Grounding*

The device must be connected to the potential equalization. The connection between the housing and the local ground must have a minimum cross-section of 4 mm<sup>2</sup> (13 AWG). All ground connections must be secured tightly.

**Wire specifications**

Thermocouple grade, TFE insulated 20AWG, 7 strands with stripped ends

Electrical connection	
Flying leads, standard 139.7 mm (5.5 in) for wiring in connection head, head mounted transmitter or terminal block mounted, and for wiring with TMT162 or TMT142 assemblies	

Design of leads	
Flying leads 139.7 mm (5.5 in) with stripped ends	
Connection with terminal block (4 pole) with stripped ends	

A0027297

A0027298

**Thermocouple color codes according to ASTM E-230**

T.C. Type	POS NEG	Material	MAGNETIC		Insulation	
			YES	NO	Single conductor	Overall T.C. wire
E	EP (+)	Nickel - 10% chromium		X	Purple	Brown
	EN (-)	Copper - 45% nickel (constantan)		X	Red	
J	JP (+)	Iron	X		White	Brown
	JN (-)	Copper - 45% nickel (constantan)		X	Red	
K	KP (+)	Nickel - 10% chromium		X	Yellow	Brown
	KN (-)	Nickel - 5% (aluminum, silicon) <sup>1)</sup>	X		Red	
T	TP (+)	Copper		X	Blue	Brown
	TN (-)	Copper - 45% nickel (constantan)		X	Red	
N	NP (+)	Nickel - 14% chromium - 1.5% silicon		X	Orange	Brown
	NN (-)	Nickel - 4.5% silicon - 0.1% magnesium		X	Red	

1) Silicon, or aluminum and silicon may be present in combination with other elements.

## Performance characteristics

**Reference conditions**

These data are relevant for determining the accuracy of the temperature transmitters used. More information on this can be found in the Technical Information of the iTEMP temperature transmitters.

**Response time**

63% response time per ASTM E839


*Thermocouple assembly T55 without thermowell*

Junction style	Thermocouple insert $\varnothing 1/4"$
Ungrounded	2.9 s

 Response time for the sensor assembly without transmitter.

*Response time examples for thermocouples assemblies with thermowell T53 and T54*

Construction	Stepped thermowell	Tapered thermowell	3/4" straight thermowell
Time	15 s	20 s	25 s

 Response times for thermocouple assemblies with thermowell are provided for general design guidance without transmitter.

When the temperature of a process media changes, the output signal of a Thermocouple assembly follows this change after a certain time delay. The physical cause is the time related to heat transfer from the process media through the thermowell and the insert to the sensor element (thermocouple). The manner in which the reading follows the change in temperature of the assembly over time is referred to as the response time. Variables that influence or impact the response time are:

- Wall thickness of thermowell
- Spacing between thermocouple insert and thermowell
- Sensor packing
- Process parameters such as media, flow velocity, etc.

**Maximum measured error** Thermocouples corresponding to ASTM E839

Type	Temperature range	Standard tolerance (IEC class 2)	Special tolerance (IEC class 1)
		[°C] whichever is greater	[°C] whichever is greater
E	0 to 870 °C (32 to 1600 °F)	±1.7 or ±0.5%	±1 or ±0.4%
J	0 to 760 °C (32 to 1400 °F)	±2.2 or ±0.75%	±1.1 or ±0.4%
K	0 to 1260 °C (32 to 2300 °F)	±2.2 or ±0.75%	±1.1 or ±0.4%
T	0 to 370 °C (32 to 700 °F)	±1 or 0.75%	±0.5 or ±0.4%
N	0 to 1260 °C (32 to 2300 °F)	±2.2 or ±0.75%	±1.1 or ±0.4%

**i** For measurement errors in °F, calculate using equation above in °C, then multiply the outcome by 1.8.

**Transmitter long-term stability** ≤ 0.1 °C (0.18 °F) / year or ≤ 0.05 % / year

Data under reference conditions; % relates to the set span. The larger value applies.

**Insulation resistance**

Insulation resistance for MgO insulated thermocouples with ungrounded hot junction between terminals and probe sheath, test voltage 500 V<sub>DC</sub>.

1000 MΩ at 25 °C (77 °F)

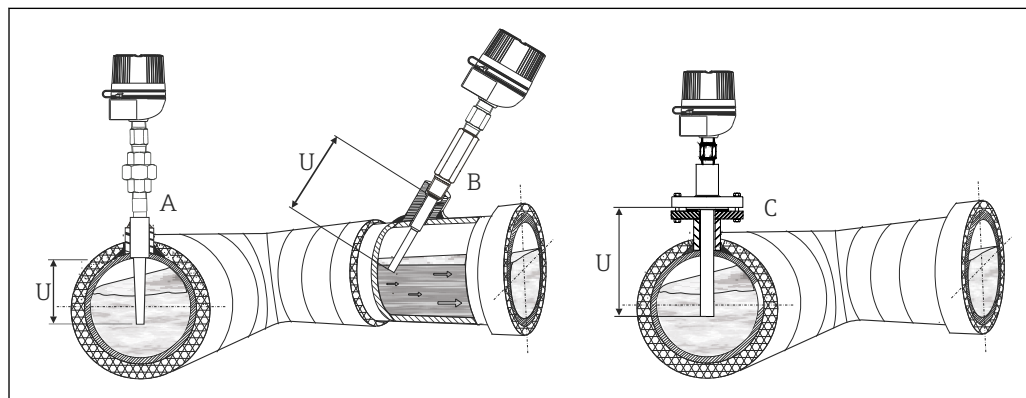
These values for insulation resistance also apply between each thermocouple wire at single and duplex constructions with ungrounded hot junction.

## Installation conditions

**Orientation**

No restrictions.

**Installation instructions**



**3** Installation examples

A-C In pipes with a small cross section the thermowell tip should reach or extend slightly past the center line of the pipe (= U)

B Threaded, angled installation of T53 assembly

C Flange installation of T54 assembly


The immersion length of the thermometer influences the accuracy. If the immersion length is too small then errors in the measurement are caused by heat conduction via the process connection and the container wall. If installing into a pipe then the immersion length should be at least half of the pipe diameter. A further solution could be an angled (tilted) installation (see B). When determining the immersion length all thermometer parameters and the process to be measured must be taken into account (e.g. flow velocity, process pressure).



- Installation possibilities: Pipes, tanks or other plant components
- Minimum immersion length per ASTM E644,  $\Delta T \leq 0.05 \text{ }^\circ\text{C}$  (0.09  $^\circ\text{F}$ ):

For temperature assemblies with thermowell (T53 and T54) the minimum immersion is the depth to which the thermowell is immersed in the medium, measured from the tip. To minimize errors from ambient temperature the following minimum immersion lengths are recommended:

Construction	Minimum immersion
Stepped thermowell	63.5 mm (2.5 in)
Tapered thermowell	114.3 mm (4.5 in)
¾" straight thermowell	101.6 mm (4 in)
Weld-in thermowell	114.3 mm (4.5 in)

 T55 assemblies can only be used in existing thermowells.

**Shock and vibration resistance** 4 g/2 to 150 Hz as per IEC 60068-2-6

## Environment

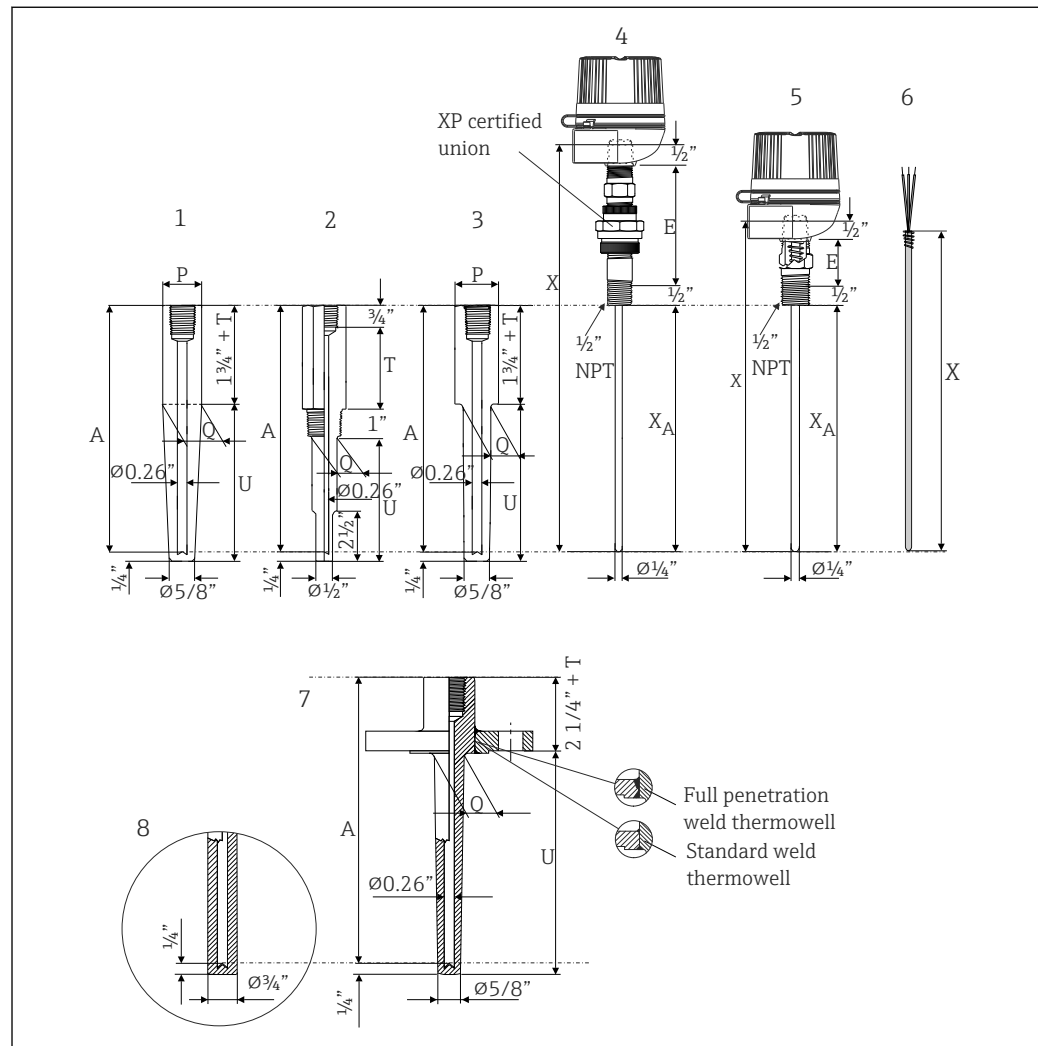
Ambient temperature range	Terminal head	Temperature in $^\circ\text{C}$ ( $^\circ\text{F}$ )
	Without mounted head transmitter	Depends on the terminal head used and the cable gland or fieldbus connector, see Terminal heads' section
	With mounted head transmitter	-40 to 85 $^\circ\text{C}$ (-40 to 185 $^\circ\text{F}$ ) SIL mode (HART 7 transmitter): -40 to 70 $^\circ\text{C}$ (-40 to 158 $^\circ\text{F}$ )
	With mounted head transmitter and display	-20 to 70 $^\circ\text{C}$ (-4 to 158 $^\circ\text{F}$ )
	With mounted field transmitter	<ul style="list-style-type: none"> <li>■ Without display: -40 to 85 <math>^\circ\text{C}</math> (-40 to 185 <math>^\circ\text{F}</math>)</li> <li>■ With display and/or integrated overvoltage protection module: -40 to +80 <math>^\circ\text{C}</math> (-40 to +176 <math>^\circ\text{F}</math>)</li> <li>■ SIL mode: -40 to +75 <math>^\circ\text{C}</math> (-40 to +167 <math>^\circ\text{F}</math>)</li> </ul>

**Shock and vibration resistance** 4 g/2 to 150 Hz as per IEC 60068-2-6

## Mechanical construction

### Design, dimensions

All dimensions in inch. For values related to the graphics please refer to the tables and equations below.



A0025328-EN

#### 4 Dimensions of the sensor assemblies

- 1 T53 weld-in thermowell (tapered)
- 2 T53 threaded thermowell (stepped)
- 3 T53 socket weld thermowell (tapered)
- 4 T53/T54 extension, nipple-XP-union-nipple (NUN), without thermowell
- 5 T53/T54 extension hex nipple without thermowell
- 6 TU121 spring loaded insert
- 7 T54 flange thermowell (tapered)
- 8 Straight thermowell tip
- E Extension length
- P Pipe size
- Q Thermowell root diameter
- T Lag dimension
- U Thermowell immersion length
- XA Immersion length thermocouple sensor
- A Drill depth of thermowell
- X Overall insert length

**i** For T53 thermowells with 1/2" NPT and 1" process thread length and 3/4" hex length dimensions, spring loaded sensor assemblies must be used with the thermowells.

All thermowells are marked with a material ID, CRN (Canadian Registration Number) and heat number.

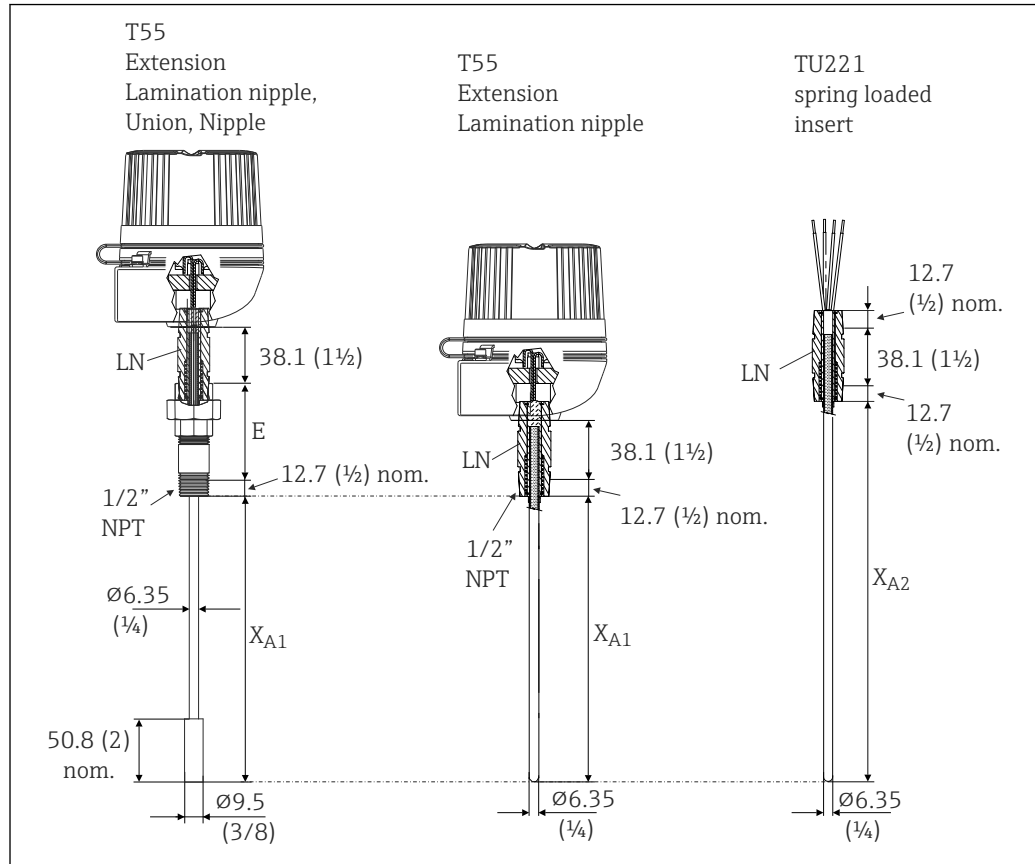
*Dimensions of T53*

U	E (nominal dimension)	T	Process connection	Shape of thermowell	ØQ		
63.5 mm (2.5 in)	Material: Steel or 316SS  Hex nipple = 25.4 mm (1 in)  Nipple Union Nipple (NUN) = 101.6 mm (4 in) 177.8 mm (7 in)	76.2 mm (3 in) or specified length 25.4 to 152.4 mm (1 to 6 in) in ½" increments	½" NPT	Stepped (standard duty)	16 mm (⅝ in)		
114.3 mm (4.5 in)				Tapered (heavy duty)	16 mm (⅝ in)		
			190.5 mm (7.5 in)	¾" NPT	Stepped (standard duty)	19.05 mm (¾ in)	
Tapered (heavy duty)					22.3 mm (⅞ in)		
266.7 mm (10.5 in)			1" NPT	Stepped (standard duty)	22.3 mm (⅞ in)		
				Tapered (heavy duty)	26.9 mm (1 ⅛ in)		
342.9 mm (13.5 in)			¾" socket weld	Stepped (standard duty)	19.05 mm (¾ in)		
				Tapered (heavy duty)	22.3 mm (⅞ in)		
419.1 mm (16.5 in)			1" socket weld	Stepped (standard duty)	22.3 mm (⅞ in)		
				Tapered (heavy duty)	25.4 mm (1 in)		
571.5 mm (22.5 in) specified length			¾" weld in	Tapered (heavy duty)	26.6 mm (1.050 in)		
				1" weld in	33.4 mm (1.315 in)		
50.8 to 571.5 mm (2 to 22.5 in) in ½" increments							
Immersion length thermocouple sensor = thermowell drilled length			$X_A = A = U + 38.1 \text{ mm (1.5 in) + T}$				
Overall insert length			$X = A + E$				
P = Pipe size							
<ul style="list-style-type: none"> <li>■ ¾" Nominal utilizes 1.050"</li> <li>■ 1" Nominal utilizes 1.315"</li> </ul>							

*Dimensions of T54*

U	E (nominal dimension)	T	Flange size	ØQ, tapered version
50.8 mm (2 in)	Hex nipple = 25.4 mm (1 in) or  Nipple Union Nipple (NUN) = 101.6 mm (4 in) 177.8 mm (7 in)	specified length  25.4 to 254 mm (1 to 10 in) in ½" increments	25.4 mm (1 in)	22.3 mm (⅞ in)
101.6 mm (4 in)			38.1 mm (1 ½ in)	26.9 mm (1 ⅛ in)
177.8 mm (7 in)			50.8 mm (2 in)	26.9 mm (1 ⅛ in)
254 mm (10 in)				
330.2 mm (13 in)				
406.4 mm (16 in)				
558.8 mm (22 in)				
specified length				
50.8 to 571.5 mm (2 to 22.5 in) in ½" increments				

U	E (nominal dimension)	T	Flange size	ØQ, tapered version
Immersion length thermocouple sensor = thermowell drilled length		$X = A = U + 50.8 \text{ mm (2 in)} + T$		
Overall insert length		$X = A + E$		



A0027303-EN

5 Design and dimensions of T55 (without thermowell), all dimensions in mm (in)

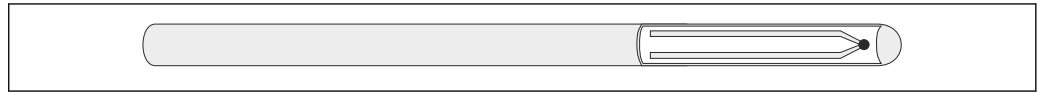
- E Extension length (nominal dimension)
- LN Lamination nipple (flamepath nipple)
- X<sub>A1</sub> Insert immersion length
- X<sub>A2</sub> Insert immersion length TU221

**i** When ordering a sensor with a 3/8" diameter, only the bottom 2" will have an outer diameter of 3/8".

Dimensions of T55 (without thermowell)		Extension E
Immersion length	Thermocouple sensor X <sub>A1</sub>	Lamination Nipple Union Nipple (LUN) = 76.2 mm (3 in) or 152.4 mm (6 in)
	specified length 101.6 to 2 540 mm (4 to 100 in) in 1/2" increments	
	Thermocouple sensor X <sub>A2</sub> for spring loaded insert TU221 as spare part insert for Lamination Nipple Union Nipple (LUN) version <sup>1)</sup>	
	Calculate X <sub>A2</sub> as follows: X <sub>A1</sub> +E	

1) Order code for spring loaded insert TU221 (TU221-\_\_\_5\_\_\_)

---

**Hot or measuring junction****Ungrounded junction**

 6 *Ungrounded junction*

The welded thermocouple junction is fully isolated from the welded closed end sheath. This junction provides electrical isolation to reduce problems associated with electrical interference. Ungrounded junctions are also recommended for use in extreme positive or negative temperatures, rapid thermal cycling and for ultimate corrosion resistance of the sheath alloy. iTEMP transmitters have an excellent noise immunity (EMC) meeting all requirements listed under IEC 61326 for use in noisy environments.

 Dual ungrounded elements supplied with individually isolated junctions.

---

**Weight**

1 to 30 lbs

**Material**

Process connection and thermowell

The temperatures for continuous operation specified in the following table are only intended as reference values for use of the various materials in air and without any significant compressive load. The maximum operation temperatures are reduced considerably in some cases where abnormal conditions such as high mechanical load occur or in aggressive media.

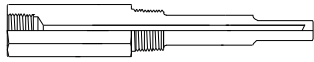
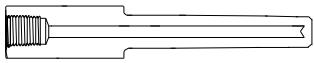
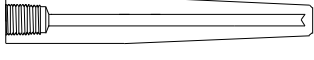
Material name	Short form	Recommended max. temperature for continuous use in air	Properties
AISI 316/ 1.4401	X5CrNiMo17-12-2	650 °C (1 202 °F) <sup>1)</sup>	<ul style="list-style-type: none"> <li>▪ Austenitic, stainless steel</li> <li>▪ High corrosion resistance in general</li> <li>▪ Particularly high corrosion resistance in chlorine-based and acidic, non-oxidizing atmospheres through the addition of molybdenum (e.g. phosphoric and sulfuric acids, acetic and tartaric acids with a low concentration)</li> </ul>
AISI 316L/ 1.4404 1.4435	X2CrNiMo17-12-2 X2CrNiMo18-14-3	650 °C (1 202 °F)	<ul style="list-style-type: none"> <li>▪ Austenitic, stainless steel</li> <li>▪ High corrosion resistance in general</li> <li>▪ Particularly high corrosion resistance in chlorine-based and acidic, non-oxidizing atmospheres through the addition of molybdenum (e.g. phosphoric and sulfuric acids, acetic and tartaric acids with a low concentration)</li> <li>▪ Increased resistance to intergranular corrosion and pitting</li> <li>▪ Compared to 1.4404, 1.4435 has even higher corrosion resistance and a lower delta ferrite content</li> </ul>
Alloy600	NiCr15Fe	1 100 °C (2 012 °F)	<ul style="list-style-type: none"> <li>▪ A nickel/chromium alloy with very good resistance to aggressive, oxidizing and reducing atmospheres, even at high temperatures</li> <li>▪ Resistant to corrosion caused by chlorine gas and chlorinated media as well as many oxidizing mineral and organic acids, sea water etc.</li> <li>▪ Corrosion from ultrapure water</li> <li>▪ Not to be used in a sulfur-containing atmosphere</li> </ul>

- 1) Can be used to a limited extent up to 800 °C (1472 °F) for low compressive loads and in non-corrosive media. Please contact your Endress+Hauser sales team for further information.

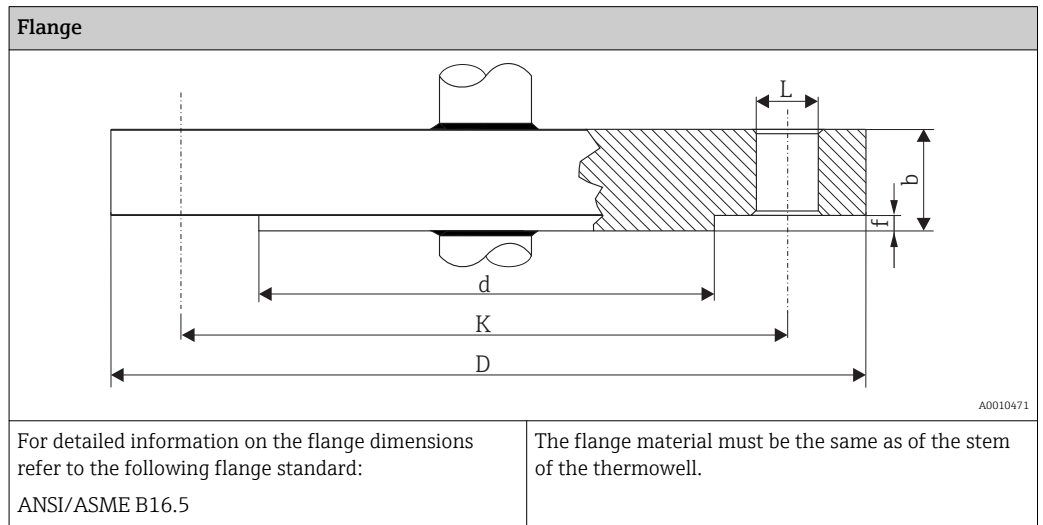
**Process connection**

The process connection is the means of connecting the thermometer to the process. The following process connections are available:

T53

Thread	Version
 A0026110	NPT thread
	NPT 1/2"
	NPT 3/4"
 A0026111	NPS for socket weld
	NPS 3/4"
 A0026108	NPS for weld-in
	NPS 1"

T54



T55

Type	Thermowell connection	Extension neck lengths in mm (in)
	Type N	1/2" NPT external thread 25.4 mm (1 in)
	Type NUN	1/2" NPT external thread 101.6 mm (4 in) 177.8 mm (7 in)

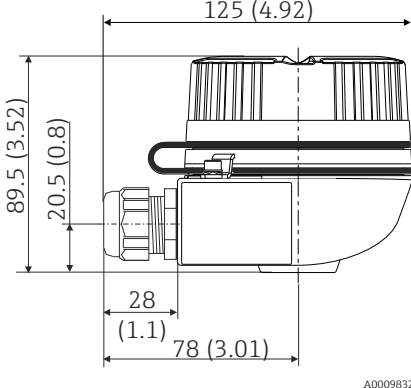
**Housing**

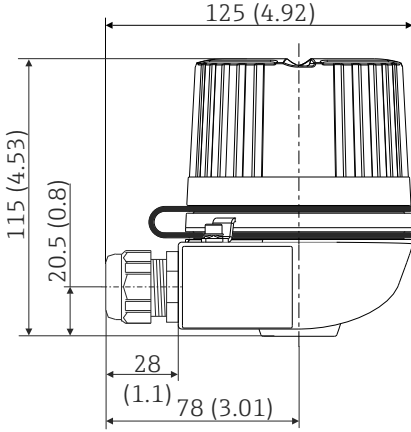
**Terminal heads**

All terminal heads have an internal shape and size in accordance with DIN EN 50446, flat face and a thermometer connection with a 1/2" NPT thread. All dimensions in mm (in). Specifications without head transmitter installed. For ambient temperatures with head transmitter installed, see the 'Environment' section.

As a special feature, Endress+Hauser offers terminal heads with optimized terminal accessibility for easy installation and maintenance.

Some of the specifications listed below may not be available on this product line.

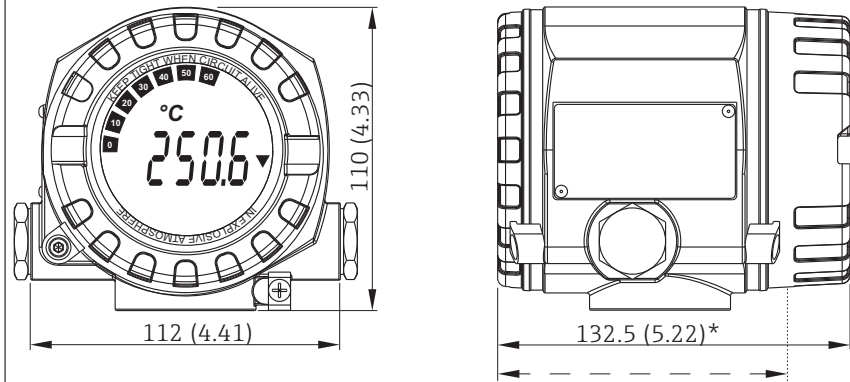
TA30H	Specification
 <p style="text-align: right; font-size: small;">A0009832</p>	<ul style="list-style-type: none"> <li>▪ Flameproof (XP) version, explosion-protected, captive screw cap, available with one or two cable entries</li> <li>▪ Degree of protection: IP 66/68, NEMA Type 4x Encl. Ex-version: IP 66/67</li> <li>▪ Temperature: -50 to +150 °C (-58 to +302 °F) for rubber seal without cable gland (observe max. permitted temperature of cable gland!)</li> <li>▪ Material: <ul style="list-style-type: none"> <li>- Aluminum with polyester powder coating</li> <li>- Stainless steel 316L without coating</li> </ul> </li> <li>▪ Thread: ½" NPT, ¾" NPT, M20x1.5, G½"</li> <li>▪ Extension neck/thermowell connection: ½" NPT</li> <li>▪ Color of aluminum head: blue, RAL 5012</li> <li>▪ Color of aluminum cap: gray, RAL 7035</li> <li>▪ Weight: <ul style="list-style-type: none"> <li>- Aluminum: approx. 640 g (22.6 oz)</li> <li>- Stainless steel: approx. 2 400 g (84.7 oz)</li> </ul> </li> </ul>

TA30H with display window in cover	Specification
 <p style="text-align: right; font-size: small;">A0009831</p>	<ul style="list-style-type: none"> <li>▪ Flameproof (XP) version, explosion-protected, captive screw cap, available with one or two cable entries</li> <li>▪ Degree of protection: IP 66/68, NEMA Type 4x Encl. Ex-version: IP 66/67</li> <li>▪ Temperature: -50 to +150 °C (-58 to +302 °F) for rubber seal without cable gland (observe max. permitted temperature of cable gland!)</li> <li>▪ Material: <ul style="list-style-type: none"> <li>- Aluminum with polyester powder coating</li> <li>- Stainless steel 316L without coating</li> </ul> </li> <li>▪ Thread: ½" NPT, ¾" NPT, M20x1.5, G½"</li> <li>▪ Extension neck/thermowell connection: ½" NPT</li> <li>▪ Color of aluminum head: blue, RAL 5012</li> <li>▪ Color of aluminum cap: gray, RAL 7035</li> <li>▪ Weight: <ul style="list-style-type: none"> <li>- Aluminum: approx. 860 g (30.33 oz)</li> <li>- Stainless steel: approx. 2 900 g (102.3 oz)</li> </ul> </li> <li>▪ Head transmitter optionally available with TID10 display</li> </ul>



Field transmitter

Temperature field transmitter iTEMP TMT162

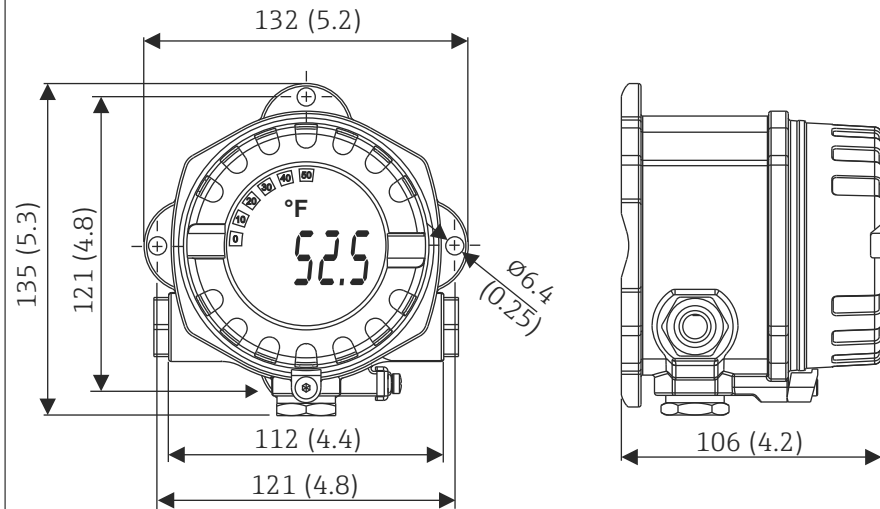


A0024608

\* Dimensions without display = 112 mm (4.41 in)

- Separate electronics compartment and connection compartment
- Protection class: IP67, NEMA type 4x
- Material: Die-cast aluminum housing AlSi10Mg with powder coating on polyester base, 316L
- Display rotatable in 90° increments
- Cable entry: 2x ½" NPT
- Brilliant backlit display with ease of visibility in bright sunshine or pitch darkness
- Gold plated terminals to avoid corrosion and additional measurement errors
- SIL certification as per IEC 61508:2010 (HART-protocol)

Temperature field transmitter iTEMP HART® TMT142



A0025824

- Protection class: IP67, NEMA type 4x
- Material: Die-cast aluminum housing AlSi10Mg with powder coating on polyester base
- Display rotatable in 90° increments
- Cable entry: 3x ½" NPT
- Brilliant blue backlit display with ease of visibility in bright sunshine or pitch darkness
- Gold plated terminals to avoid corrosion and additional measurement errors

## Certificates and approvals

**CE Mark** The device meets the legal requirements of the EC directives if applicable. Endress+Hauser confirms that the device has been successfully tested by applying the CE mark.

**Other standards and guidelines**

- IEC 60529: Degree of protection of housing (IP code)
- IEC 61010-1: Safety requirements for electrical equipment for measurement, control, and laboratory use – Part 1: General requirements
- IEC 60584 and ASTM E230/ANSI MC96.1: Thermocouples
- ASTM E839: American society for testing and materials, standard test methods for sheathed thermocouples and sheathed thermocouple material
- ASTM E1129/E1129M-98: Standard specification of thermocouple connectors
- ASTM E1684: Standard specification for miniature thermocouple connectors
- NEMA - ANSI/NEMA 250: Enclosures for Electrical Equipment
- ASME PTC 19.3 TW2010: Performance test codes
- CSA Standard C22.2 (No. 25, no. 30, no. 157, no. 213, no. 1010.1): Requirements for hazardous locations & safety requirements for electrical equipment for measurement, control and laboratory use
- FM Standards (Class No. 3600, 3611, 3615, 3810): Requirements for hazardous locations & electrical and electronic test, measuring and process control equipment

**UL** Temperature transmitters UL recognized components under Category Code.file number QUXX8.E225237 and QUXX2.E225237

**CSA/FM**

<b>T53, T54 with blue connection head or field housing</b>
FM XP DIP Class I, II, III Div. 1+2, Grp. A-G
FM XP NI DIP Class I, II, III Div. 1+2, Grp. A-G
CSA XP DIP Class I, II, III Div. 1+2, Grp. A-G
CSA XP NI DIP Class I, II, III Div. 1+2, Grp. A-G
FM/CSA XP DIP Class I, II, III Div. 1+2, Grp. A-G
FM/CSA XP NI DIP Class I, II, III Div. 1+2, Grp. A-G
CSA General Purpose

<b>T55 with blue connection head or field housing</b>
FM XP DIP Class I, II, III Div. 1+2, Grp. A-G
FM XP NI DIP Class I, II, III Div. 1+2, Grp. A-G
CSA XP DIP Class I, II, III Div. 1+2, Grp. B-G
CSA XP NI DIP Class I, II, III Div. 1+2, Grp. B-G
FM/CSA XP DIP Class I, II, III Div. 1+2, FM Grp. A-G, CSA Grp. B-G
FM/CSA XP NI DIP Class I, II, III Div. 1+2, FM Grp. A-G, CSA Grp. B-G
CSA General Purpose

## Ordering information

Detailed ordering information is available from the following sources:

- In the Product Configurator on the Endress+Hauser website: [www.endress.com](http://www.endress.com) -> Click "Corporate" -> Select your country -> Click "Products" -> Select the product using the filters and search field -> Open product page -> The "Configure" button to the right of the product image opens the Product Configurator.
- From your Endress+Hauser Sales Center: [www.addresses.endress.com](http://www.addresses.endress.com)



### **Product Configurator - the tool for individual product configuration**

- Up-to-the-minute configuration data
- Depending on the device: Direct input of measuring point-specific information such as measuring range or operating language
- Automatic verification of exclusion criteria
- Automatic creation of the order code and its breakdown in PDF or Excel output format
- Ability to order directly in the Endress+Hauser Online Shop






## Accessories

Various accessories, which can be ordered with the device or subsequently from Endress+Hauser, are available for the device. Detailed information on the order code in question is available from your local Endress+Hauser sales center or on the product page of the Endress+Hauser website: [www.endress.com](http://www.endress.com).

### Device-specific accessories

Mounting bracket	SS316L, for tube 1.5...3" Order code: 51007995
Adapter	M20x1.5 - ½" NPT cable entry Order code: 51004387
Cable gland	½" NPT, D4.5-8.5, IP 68 Order code: 51006845
Integrated overvoltage protection module	The module protects the electronics from overvoltage. Available for TMT162 housing.

### Communication-specific accessories


Configuration kit TXU10	Configuration kit for PC-programmable transmitter with setup software and interface cable for PC with USB port Order code: TXU10-xx
Commubox FXA195 HART	For intrinsically safe HART communication with FieldCare via the USB interface.  For details, see "Technical Information" TI00404F
Commubox FXA291	Connects Endress+Hauser field devices with a CDI interface (= Endress+Hauser Common Data Interface) and the USB port of a computer or laptop.  For details, see "Technical Information" TI00405C
Wireless HART adapter SWA70	Is used for the wireless connection of field devices. The WirelessHART adapter can be easily integrated into field devices and existing infrastructures, offers data protection and transmission safety and can be operated in parallel with other wireless networks with minimum cabling complexity.  For details, see Operating Instructions BA061S
Field Xpert SFX350	Field Xpert SFX350 is a mobile computer for commissioning and maintenance. It enables efficient device configuration and diagnostics for HART and FOUNDATION Fieldbus devices in the <b>non-Ex area</b> .  For details, see Operating Instructions BA01202S
Field Xpert SFX370	Field Xpert SFX370 is a mobile computer for commissioning and maintenance. It enables efficient device configuration and diagnostics for HART and FOUNDATION Fieldbus devices in the <b>non-Ex area and the Ex area</b> .  For details, see Operating Instructions BA01202S


### Service-specific accessories

Accessories	Description
Applicator	<p>Software for selecting and sizing Endress+Hauser measuring devices:</p> <ul style="list-style-type: none"> <li>Calculation of all the necessary data for identifying the optimum measuring device: e.g. pressure loss, accuracy or process connections.</li> <li>Graphic illustration of the calculation results</li> </ul> <p>Administration, documentation and access to all project-related data and parameters over the entire life cycle of a project.</p> <p>Applicator is available:</p> <ul style="list-style-type: none"> <li>Via the Internet: <a href="https://portal.endress.com/webapp/applicator">https://portal.endress.com/webapp/applicator</a></li> <li>On CD-ROM for local PC installation.</li> </ul>



Configurator	<p>Product Configurator - the tool for individual product configuration</p> <ul style="list-style-type: none"> <li>▪ Up-to-the-minute configuration data</li> <li>▪ Depending on the device: Direct input of measuring point-specific information such as measuring range or operating language</li> <li>▪ Automatic verification of exclusion criteria</li> <li>▪ Automatic creation of the order code and its breakdown in PDF or Excel output format</li> <li>▪ Ability to order directly in the Endress+Hauser Online Shop</li> </ul> <p>The Configurator is available on the Endress+Hauser website: <a href="http://www.endress.com">www.endress.com</a> -&gt; Click "Corporate" -&gt; Select your country -&gt; Click "Products" -&gt; Select the product using the filters and the search field -&gt; Open the product page -&gt; The "Configure" button to the right of the product image opens the Product Configurator.</p>
--------------	--

W@M	<p>Life cycle management for your plant</p> <p>W@M supports you with a wide range of software applications over the entire process: from planning and procurement, to the installation, commissioning and operation of the measuring devices. All the relevant device information, such as the device status, spare parts and device-specific documentation, is available for every device over the entire life cycle.</p> <p>The application already contains the data of your Endress+Hauser device. Endress+Hauser also takes care of maintaining and updating the data records.</p> <p>W@M is available:</p> <ul style="list-style-type: none"> <li>▪ Via the Internet: <a href="http://www.endress.com/lifecyclemanagement">www.endress.com/lifecyclemanagement</a></li> <li>▪ On CD-ROM for local PC installation.</li> </ul>
-----	---

FieldCare SFE500	<p>FDT-based plant asset management tool from Endress+Hauser.</p> <p>It can configure all smart field units in your system and helps you manage them. By using the status information, it is also a simple but effective way of checking their status and condition.</p> <p> For details, see Operating Instructions BA00027S and BA00065S</p>
------------------	---

DeviceCare SFE100	<p>Configuration tool for devices via fieldbus protocols and Endress+Hauser service protocols.</p> <p>DeviceCare is the tool developed by Endress+Hauser for the configuration of Endress+Hauser devices. All smart devices in a plant can be configured via a point-to-point or point-to-bus connection. The user-friendly menus enable transparent and intuitive access to the field devices.</p> <p> For details, see Operating Instructions BA00027S</p>
-------------------	---

**System components**

Accessories	Description
Process display unit RIA15	<p>The display unit records the analog measuring signal from the head transmitter and shows this on the display. The LC display shows the current measured value in digital form and as a bar graph indicating a limit value violation. The process display unit is integrated in the 4 to 20 mA or HART® loop and is powered directly from the current loop. Optionally up to four of a sensor's HART® process variables can be displayed.</p> <p> For details, see the "Technical Information" document TI01043K/09/EN</p>
RN221N	<p>Active barrier with power supply for safe separation of 4-20 mA standard signal circuits. Offers bidirectional HART transmission.</p> <p> For details, see "Technical Information" TI00073R and Operating Instructions BA00202R</p>

## Documentation

### **Brief operating instructions - Explosion proof TC assembly**

- T53 with thermowell, KA00243R/24/AE
- T54 with flanged thermowell, KA00244R/24/AE
- T55 spring loaded insert, KA00245R/24/AE

### **Technical Information - Temperature transmitter iTEMP**

- HART® TMT82, TI01010T/09/EN
- PROFIBUS PA TMT84, TI00138R/09/EN
- Pt TMT180, TI00088R/09/EN
- PCP TMT181, TI00070R/09/EN
- HART® TMT182, TI00078R/09/EN
- Field transmitter:
  - TMT162 HART® 5, PROFIBUS PA and FOUNDATION Fieldbus™ (TI00086R/09/EN)
  - TMT162 HART® 7 and SIL certification (TI01344T/09/EN)
  - TMT142 HART® (TI00107R/09/EN)

---

[www.addresses.endress.com](http://www.addresses.endress.com)

---