

P/N: T300095

Copyright

© 2019, FLIR Systems, Inc.

All rights reserved worldwide. Names and marks appearing herein are either registered trademarks or trademarks of FLIR Systems and/or its subsidiaries. All other trademarks, trade names or company names referenced herein are used for identification only and are the property of their respective owners.

Document identity

Publ. No.: T300095

Commit: 55110

Language:

Modified: 2019-02-01

Formatted: 2019-02-25

Website

<http://www.flir.com>

Customer support

<http://support.flir.com>

Disclaimer

Specifications subject to change without further notice. Camera models and accessories subject to regional market considerations. License procedures may apply. Products described herein may be subject to US Export Regulations. Please refer to exportquestions@flir.com with any questions.



General description

The 6° lens is a popular accessory that provides outstanding magnification of details at long distances. It is ideal for small or distant targets such as overhead power lines.

Imaging and optical data

Field of view (FOV)	6° × 4.5° (7.5° diagonally)
Minimum focus distance	5.0 m (16.4 ft.)
Focal length	70 mm (2.8 in.)
Spatial resolution (IFOV)	0.24 mrad
Lens identification	Yes, service calibration required
F-number	1.35
Number of lenses	4 (4 asph)
Distortion	< 4.2%

Physical data

Weight	0.42 kg (0.93 lb.)
Size (L × D)	108 × 75 mm (4.3 × 3.0 in.)
Front lens diameter	63 mm (2.5 in.)

Shipping information

Packaging, type	Cardboard box
List of contents	<ul style="list-style-type: none"> • Lens • Lens case • Front lens cap • Rear lens cap • Lens mounting instructions



IR lens, f=70 mm (6°) with case

P/N: T300095

© 2019, FLIR Systems, Inc.

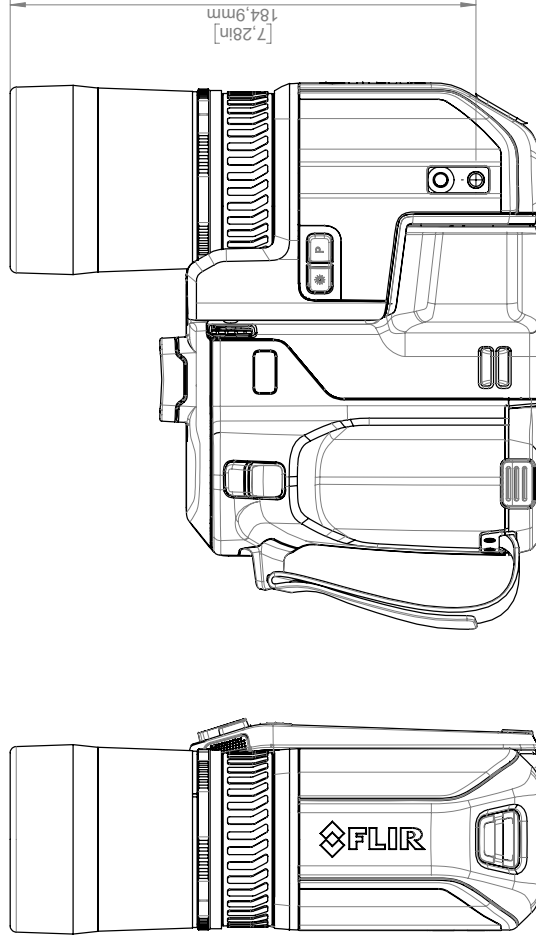
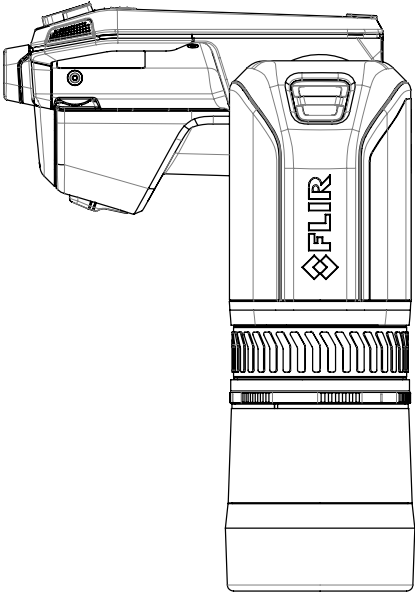
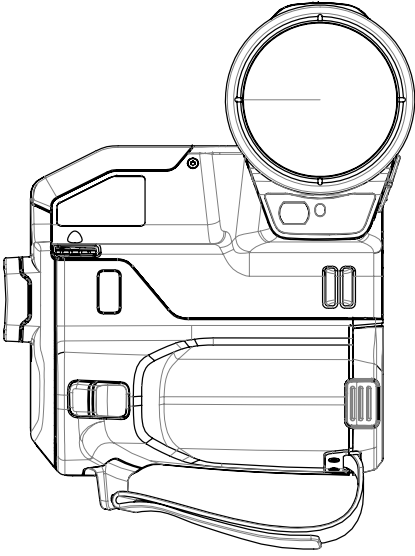
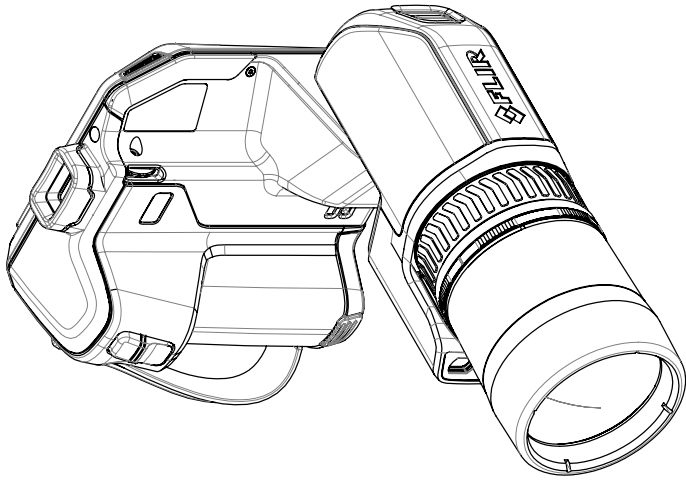
#T300095; r. 55110;

Shipping information	
Packaging, weight	1.1 kg (2.4 lb.)
Packaging, size	620 × 180 × 160 mm (24 × 7.1 × 6.3 in.)
EAN-13	7332558023037
UPC-12	845188018702
Country of origin	Sweden

Compatible with the following products:

- 79301-0101; FLIR T530 14°
- 79302-0101; FLIR T530 24°
- 79304-0101; FLIR T530 24° + 14°
- 79306-0101; FLIR T530 24° + 14° & 42°
- 79305-0101; FLIR T530 24° + 42°
- 79303-0101; FLIR T530 42°
- 79307-0101; FLIR T530 42° + 14°
- 79301-0201; FLIR T540 14°
- 79302-0201; FLIR T540 24°
- 79304-0201; FLIR T540 24° + 14°
- 79306-0201; FLIR T540 24° + 14° & 42°
- 79305-0201; FLIR T540 24° + 42°
- 79303-0201; FLIR T540 42°
- 79307-0201; FLIR T540 42° + 14°
- 82501-0201; FLIR T840 14°
- 82502-0201; FLIR T840 24°
- 82504-0201; FLIR T840 24° + 14°
- 82506-0201; FLIR T840 24° + 14° & 42°
- 82505-0201; FLIR T840 24° + 42°
- 82503-0201; FLIR T840 42°
- 82507-0201; FLIR T840 42° + 14°

Camera with Lens IR f=70mm (6°)



For additional dimensions see page 1



Drawn by
R&D Instruments

Check
JOHE

Modified
2018-09-24

Size
A3

Scale
1:5

Sheet
3(4)

Rev
T129914

Basic dimensions FLIR T8xx