

Turbo Turbidity Sensor

WITH DATA LOGGING



APPLICATIONS

Monitoring streams and rivers

Monitoring water storage bodies, including stratification studies

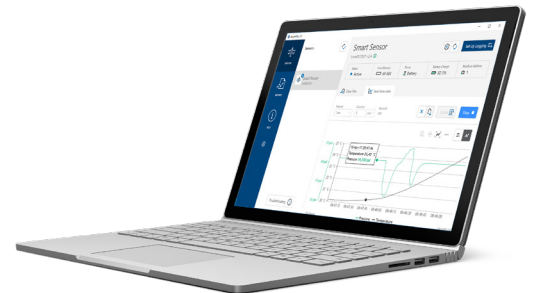
Intermediate and final effluent treatment monitoring

Hydrological run-off studies

Ground and bore water analysis

Features

- Measures and records turbidity and temperature
- Modbus® RTU (RS485) and SDI-12 interface — *great flexibility*
- 260,000+ record non-volatile memory — *no data loss in the event of a power failure*
- Free, easy-to-use software
- Replaceable wiper blade



Free Software

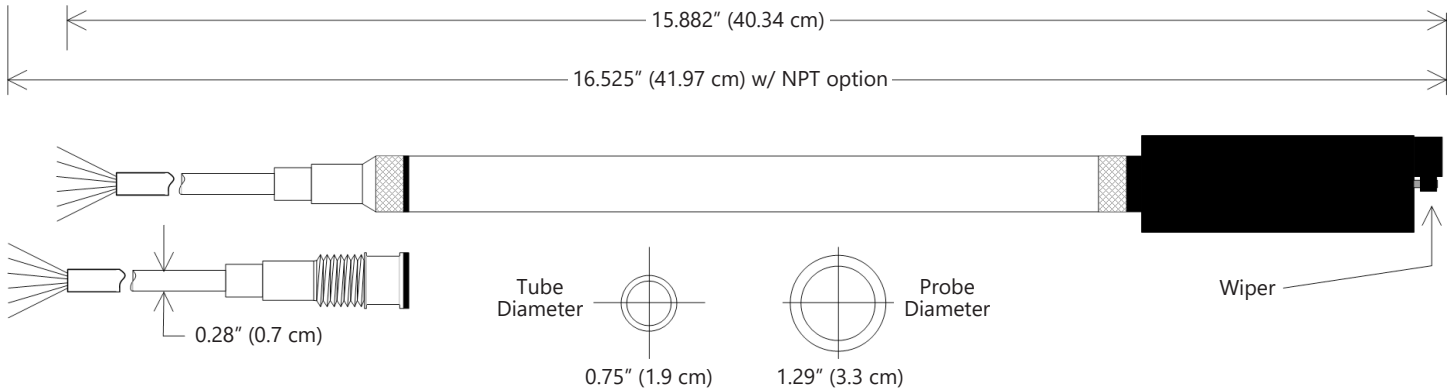
- Set up flexible recording sequences
- Retrieve data
- Monitor real time data
- View collected data— *tables & graphs*
- Export to spreadsheets and databases with a click of a button

Contact Your Supplier



Turbo Turbidity Sensor

WITH DATA LOGGING



GENERAL

Length	15.882" (40.34 cm) w/ cable harness 16.525" (41.97 cm) w/ NPT adapter
Probe Diameter	1.29" (3.3 cm)
Tube Material	Acetal & 316 stainless steel
Probe Material	Composite
Wire Seal Material	Fluoropolymer and PTFE
Submersible Cable	Polyurethane, polyethylene, or ETFE available
Terminating Connector	Available
Communication	RS485 Modbus® RTU SDI-12 (ver 1.3)
Direct Modbus Read Output	32-bit IEEE floating point
Internal Math	32-bit floating point
Operating Temp. Range	0° C to 40° C
Storage Temp. Range	-20° C to 50° C

LOGGING

Memory	260,000+ records
Log Types	Variable, user-defined, logarithmic, profiled
Programmable Baud Rate	9600, 19200, 38400
Logging Rate	2x/sec maximum
Software	Complimentary Aqua4Plus
Networking	32 available addresses per junction w/ batching capabilities (up to 255)
File Formats	.csv / .a4d

SENSOR

Measuring Ranges	0–400 NTU 0–3000 NTU
Measuring Method	90 degree ISO 7027
Accuracy	± 2% or ± 2 NTU @ 25° C (whichever is greater)
Repeatability	± 2% @ 25° C
Temperature Range	0° C to 40° C
Maximum Depth	164 ft (50 m)

POWER

External Power Pack Required	12 Vdc nominal (9–15 Vdc)
Seametrics Power Packs available. Contact Seametrics for details.	