

SRZ HELICAL GEAR FLOW METER

Ideal for highly filled and abrasive fluids, such as polyurethanes and polymers, glues and sealing materials, as well as heavy fuel oils.



APPLICATIONS

This series of flow meters from AW Gear Meters is a high-resolution answer to your metering needs. Made of stainless steel, the meters in the SRZ series offer wide measuring ranges and low pressure loss.

A helical-gear design gives these meters lower pressure drop compared to other meters and ideal for metering high viscosity polyurethanes, polymers, glues, sealants, and heavy fuel oils.

AW Gear Meters offers these specialized helical gear flow meters suitable for a variety of industrial applications, including:

- Sealant / Adhesive Dispensing Applications – Single and Multi-Component
- Paint Reclaim and Environmental Tracking
- Paint Circulation / Supply
- Paint Spray Operations-High Solids / Filled Materials
- Material Manufacturing – Monitoring / Batching
- Full body resin applications

TECHNICAL SPECIFICATIONS

Measuring Accuracy

± 0.5% of reading with fluid viscosities >30 cP

Repeatability

± 0.1%

Flow Measuring Range

0.1 to 11 gpm
0.25 to 26 gpm
1 to 105 gpm

Maximum Operating Pressure

up to 6,000 psi

Maximum Fluid Temperature

Depends on sensor used, refer to sensor technical guide

Ports

NPT and BSPP available

Turn Down Ratio

Over 1:100

Line Sizes

from 3/4" to 1 1/2"

BENEFITS

Affordable and Accurate

This meter has the ability to maintain consistent accuracy despite changing viscosity conditions, with accuracy of ±0.5% of reading.

Rugged Construction

The SRZ's solid meter construction is made of 303 stainless steel with tungsten carbide bearings for corrosion resistance and durability. Optional hard-coat gear offerings available.

Flexible

May be used with a wide range of materials and viscosities with a low pressure drop than conventional meters and wide flow range/size selection. Models offered with either BSPP or NPT threaded ports.

Proven Reliability & Performance

With a proven industry record for reliable meter life and electronics, these meters are ready to be installed into your process today.

MATERIALS OF CONSTRUCTION

Body	303 Stainless Steel
Bearings	Tungsten Carbide
Gear	303 Stainless Steel (QPQ1 coating) <small>Note: Other coatings available</small>
Seals	PTFE Standard (FKM & EPDM also available)

SRZ HELICAL GEAR FLOW METER

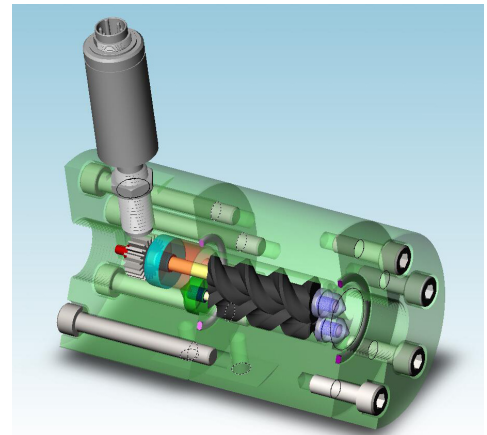
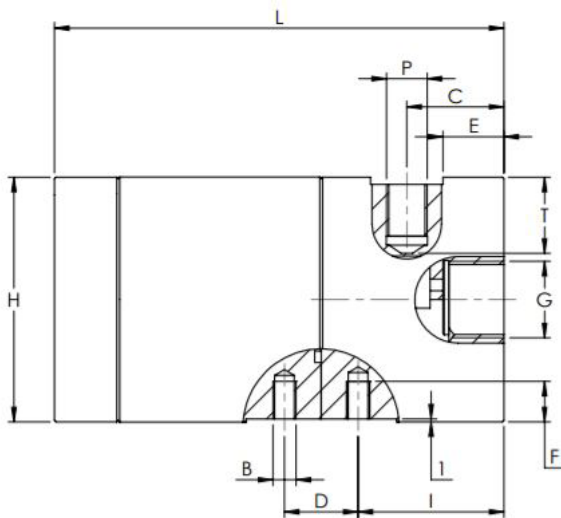
Ideal for highly filled and abrasive fluids, such as polyurethanes and polymers, glues and sealing materials, as well as heavy fuel oils.

METER DATA

Meter Size	Flow Range (Gpm)	Nominal K-Factor* (pulses/cc) (pulses/gal)		Port Size (Thread Size)	Filtration (Microns)	Weight (Lbs)	Pressure Rating
SRZ-40-xx	0.1 - 11.0	3.51	13,300	3/4"	200	14.0	6,000 psi
SRZ-100-xx	0.25 - 26.0	0.85	3,230	1"	300	32.0	6,000 psi
SRZ-400-xx	1.0 - 105	0.21	810	1-1/2"	300	70.0	6,000 psi

xx= B1 for NPT port thread, B2 for BSPP port thread

*A calibration sheet accompanies every meter sold with specific k-factor.



METER DIMENSIONS

SRZ Type	A	B	C	D	E	F	G	H	I	L	P	T
SRZ-40-xx	3.35" (85mm)	M8	1.32" (33.5mm)	0.98" (25mm)	0.75" (19mm)	0.51" (13mm)	G 3/4" M22x1.5 3/4" NPT	3.19" (81mm)	2.00" (50mm)	6.10" (155mm)	M14x1.5	1.02" (26mm)
SRZ-100-xx	4.29" (109mm)	M10	2.09" (53mm)	1.73" (44mm)	0.91" (23mm)	0.71" (18mm)	G1" 1" NPT	4.17" (106mm)	2.56" (65mm)	8.70" (221mm)	M14x1.5	1.18" (30mm)
SRZ-400-xx	5.28" (134mm)	M12	2.36" (60mm)	-	1.18" (30mm)	-	G1-1/2"	5.20" (132mm)	-	12.52" (318mm)	M14x1.5	1.30" (33mm)

RECOMMENDED SENSORS

Sensor Type	Model	Sensor Features
Frequency Output; 5-pin screw-on connector	VTER/P	Works with SRZ-40
Frequency Output; 5-pin screw-on connector	VTEK/P	Works with SRZ-100, SRZ-400

EX Versions available, consult factory.

Products may be subject to change without notice - Contact factory for the most up-to-date product information.