

CE DECLARATION OF CONFORMITY

As Manufacturer:

Monarch Instrument

Division of Monarch International Inc.
15 Columbia Drive, Amherst NH 03031 USA
declares under Monarch's sole responsibility that the product:

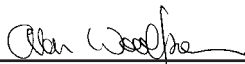
Name: Remote Optical Self-Powered Sensor
Models: SPSR-115/230

to which this declaration relates is in conformity with the following standards:

EN61326:1997 EMC /A1:1998/A2:2001/A3:2003
Specifically: EN55022 Class B EN61000-4-2
EN61000-4-3 EN61000-4-4 EN61000-4-6

and therefore conforms with the requirements of Council Directive 89/336/EEC relating to electromagnetic compatibility when installed in accordance with the user guide. The testing of this product was performed by Retlif Testing Laboratories, NH, in February of 2007 (File R-4702N-8).

14th February 2007
Manufacturer (Amherst,NH)


Alan Woolfson, VP Engineering (Authorized Signature)

Printed in the U.S.A.

Copyright 2007, Monarch Instrument, all rights reserved

1071-4847-111R

MONARCH INSTRUMENT

Instruction Manual



SPSR-115/230



SPSR-115/230 Self-Powered Sensor TTL Pulse Output

15 Columbia Drive
Amherst, NH 03031 USA
Phone: (603) 883-3390
Fax: (603) 886-3300

E-mail: support@monarchinstrument.com
Website: www.monarchinstrument.com



Safeguards and Precautions



1. **Read and follow all instructions in this manual carefully, and retain this manual for future reference.**
2. **Do not use this instrument in any manner inconsistent with these operating instructions or under any conditions that exceed the environmental specifications stated.**
3. **This instrument is not user serviceable. For technical assistance, contact the sales organization from which you purchased the product or Monarch Instrument directly.**



In order to comply with EU Directive 2002/96/EC on Waste Electrical and Electronic Equipment (WEEE): This product may contain material which could be hazardous to human health and the environment. **DO NOT DISPOSE** of this product as unsorted municipal waste. This product needs to be **RECYCLED** in accordance with local regulations, contact your local authorities for more information. This product may be returnable to your distributor for recycling - contact the distributor for details.

Monarch Instrument's Limited Warranty applies. See www.monarchinstrument.com for details.

Warranty Registration and Extended Warranty coverage available online at www.monarchinstrument.com.

SENSOR / OPTIONS AND ACCESSORIES

ROS-P	Remote Optical Sensor with 8 foot [2.5 m] cable and mounting bracket
ROS-P-25	Remote Optical Sensor with 25 foot [7.6 m] cable and mounting bracket
IRS-P	Infrared Sensor with 8 foot [2.5 m] cable for use without reflective target at 0.5 inch [12.7 mm] gap (5 to 500,000 RPM)
MT-190P	Magnetic Trigger Sensor/Amplifier with 8 foot [2.5 m] cable - 0.250" [6.4 mm] operating gap from target, 2" (L) x 5/8" [50.8 x 15.9 mm]
EC-25P	25 foot [7.6 m] Extension Cable for remote sensors with male 1/8" [3.5 mm] phone plug to female 1/8" [3.5 mm] connector
T-5	Reflective Tape, 5 foot [1.5 m] roll, 1/2 inch [13 mm] wide
T-5WP	Waterproof Reflective Tape (honeycomb pattern), 5 foot [1.5 m] roll, 1 inch [25 mm] wide
BP-R	Replacement NiMH Battery Pack (for SPSR-IM ONLY)
PSC-1U	Recharger with Universal plugs, 115/230 Vac - 50/60 Hz
CA-DCSPSR	6 foot [1.8 m] DC Adapter Cable assembly with cigarette lighter plug to operate and charge SPSR-IM from 12 Vdc

slight angle (approximately 10-15 degrees) from perpendicular, so that the sensor will detect only the reflected pulses from the target. The sensor should be at least 2 inches and no more than 3 feet from the target. The green LED On-Target Indicator on the **ROS-P** will blink at the input frequency or be continuously illuminated when properly aimed.

Operating the SPSR as a triggering source

Once the **ROS-P** input sensor is properly mounted and aligned, further connections and operation should proceed in accordance with the functions and descriptions under the **SPSR Interface Module** sections entitled ‘**Connections**’ and ‘**Controls**’.

The pulse signal on the connector marked “Output” provides a sharp leading edge for reliable and repeatable triggering of the connected device. This output is capable of driving a hundred feet of coax cable. Be sure to select the direction (0 to 5 Vdc or 5 to 0 Vdc) of this signal to provide the required polarity of the leading edge to properly trigger the connected equipment.

Operational Check

Correct operation of any SPSR Self Powered Sensor can be checked at any time by aiming the sensor at an original design fluorescent light and observing 7200 \pm 2 counts on the instrument connected to the BNC output.

NOTE: In countries with a 50 Hz. Power line frequency, the instrument connected to the BNC output will read 6000 \pm 2.

TABLE OF CONTENTS

INTRODUCTION	1
COMPONENT SPECIFICATIONS	2
SPSR-IM Interface Module	2
ROS-P Remote Optical Sensor	3
FUNCTIONS AND OPERATION	4
SPSR Interface Module	4
Connections	5
Controls	5
Recharging the Batteries	6
SPSR-115/230 Series - SPSR-IM with ROS-P	6
ROS-P	6
Operating the SPSR as a triggering source	7
Operational Check	7
SENSORS / OPTIONS AND ACCESSORIES	8

INTRODUCTION

The **SPSR-IM Self Powered Sensor Interface Module** is a self-contained, rechargeable battery powered device for developing a TTL compatible one pulse per revolution output for triggering external equipment such as vibration analyzers, spectrum analyzers, stroboscopes, data acquisition equipment, tachometers, balancers, waveform analyzers and magnetic tape recorders.

The **SPSR-115/230** is comprised of the **SPSR-IM Interface Module**, which provides power to a sensor and couples the sensor to a BNC output; an input sensor with a visible red LED light source (**ROS-P**); and a battery recharger.

An optional infrared light source (**IRS-P**) or an amplified magnetic sensor (**MT-190P**) may also be combined with the **SPSR-IM Interface Module** when appropriate. (See separate instructions for these configurations.)



SPSR-IM
Self-Powered Sensor
with PSC-1U Recharger



ROS-P
Remote Optical Sensor



IRS-P
Infrared Sensor



MT-190P
Magnetic Trigger Sensor

Recharging the Batteries

To recharge the **SPSR-IM Interface Module** batteries:

1. Connect the recharger/power supply or external power cable to the “External DC” input connector.
2. Connect the recharger/power supply into a working ac outlet, or the external power cable to a regulated power source of 5 to 12 Vdc.
3. Be sure the “Power” switch is in the OFF (CHARGE) position. The red “CHARGE” LED will indicate that the batteries are being charged. Allow up to 4 hours to fully charge.

SPSR-115/230 Series - SPSR-IM with ROS-P

The **SPSR-115/230** consists of the **SPSR-IM Interface Module** described above, an **ROS-P Remote Optical Sensor** with eight foot cable and mounting bracket, and a **PSC-1U** (115/230 Vac) external power connection. One foot of **T-5 Reflective Tape** is also supplied.

ROS-P

When connected to the **SPSR-IM** as described above, the **ROS-P** illuminates the target with a visible red light from a high intensity LED and detects the reflected pulses from the rotating reflective tape target with an internal photo-detector. The **ROS-P** Remote Optical Sensor is capable of detecting a reflected pulse from T-5 Reflective Tape targets at distances of up to 3 feet and angles up to 45 degrees from the target. The sensor is supplied with a set of two M16 jam nuts and a 90° angle slotted aluminum mounting bracket.

For most applications, a 1/2" square piece of T-5 Reflective Tape should be applied to a clean area on the rotating object. The sensor should be mounted and optically aligned to illuminate the reflective target once per revolution. **It is recommended that the optical sensor be placed at a**

Connections

Connect the input sensor via the 1/8" [3.5 mm] phone plug to the mating connector on the **SPSR-IM**. This sensor may remain connected even when recharging the internal batteries of the **SPSR-IM**.

Connect the output signal cable to the BNC connector on the opposite end of the **SPSR-IM** and to the external equipment to be triggered.

If operating from the recharger/power supply, connect the recharger to the connector marked "External DC" on the **SPSR-IM** and connect the wall unit to the appropriate power source. When using the **CA-DCSPSR** cable, connect the cable to the connector marked "External DC" on the **SPSR-IM** and connect the cigarette lighter connector to the appropriate power source.

Controls

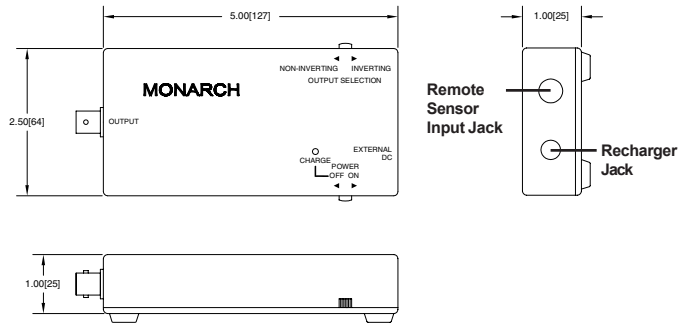
The "Power" switch on the **SPSR-IM** controls both the operation and the charging of the system. The unit will only charge from external power in the power OFF position. In the power ON position, the unit will operate directly from external power any time that it is being supplied. Otherwise, it functions on internal battery power.

The "Output Selection" switch determines the polarity of the leading edge of the TTL compatible output signal. In the NON-INVERTING position, the output signal on the BNC connector will be a negative going 5 to 0 Vdc pulse derived directly from the conditioned sensor output. When the INVERTING position is switch selected, the BNC output signal will be a positive going 0 to 5 Vdc, TTL compatible.

COMPONENT SPECIFICATIONS

SPSR-IM Interface Module

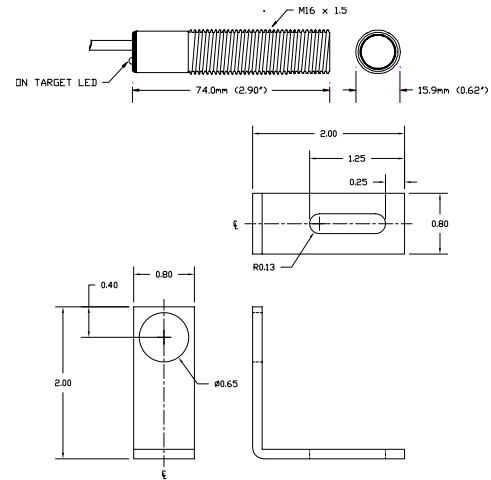
Internal Batteries:	Nickel Metal Hydride (NiMH) Battery Pack, 4.8 Vdc
Operating Interval:	>40 hours typical with ROS-P (~40mA load)
Charge Time:	up to 4 hours
Output:	TTL compatible pulse, INVERTED or NON-INVERTED – switch selectable. With an ROS (negative pulse) input, the output will be a positive pulse when set to inverted or negative pulse when set to non-inverted. Optionally, the output can be open collector (external pull up is required)
Bandwidth:	0 to 100 kHz
Battery Current Draw:	12mA with 10 kΩ load (operational)
9V Input Current Draw:	14mA with 10 kΩ load (operational)
Power Supply:	PSC-1U (operational/charge) Or 9Vdc to 15Vdc with CA-DCSPSR Cable
LED Indicator:	operational = green, charging = blinking red, done charging = red, stop charging because _____ = <i>n</i> short blinks then one long (where over voltage = 5, over current = 6, too hot = 7, too cold = 8)
Output Connector:	BNC Connector (female)
Operating Temp:	32° F to 122° F [0° C to 50° C]
Weight:	8.3 oz. [235 grams]
Dimensions:	5.0" x 2.5" x 1" [127 mm x 64 mm x 25 mm]



SPSR-IM Dimensions

ROS-P Remote Optical Sensor

- Operating Envelope:** Up to 3 feet [0.9 m] and 45° from reflective target
- Speed Range:** 1 to 250,000 RPM
- Illumination Source:** Visible red LED, 5 Vdc @ 30 mA
- Operating Temp:** 14° F to 158° F [-10° C to 70° C]
- Output Signal:** 5 to 0 Vdc TTL compatible pulse
- On-Target Indicator:** Green LED on end cap
- Material:** 303 Stainless steel
- Lens:** Acrylic plastic
- Cable Length:** 8 feet [2.5 m] Standard
- Dimensions:** Threaded Tube - 2.90" L x 0.625 " diameter [M16 x 1.5 x 74 mm] supplied with two M16 jam nuts and mounting bracket



ROS-P and mounting bracket Dimensions

FUNCTIONS AND OPERATION

SPSR Interface Module

The **SPSR Interface Module (SPSR-IM)** provides power to the input sensor, receives and optionally inverts the return pulse signal, and provides a switch selectable positive going 0 to 5 Vdc or negative going 5 to 0 Vdc pulse train trigger output on a BNC connector. Connections and operation are common to all SPSR models. Fully charged internal NiMH batteries will typically provide greater than 40 hours of continuous operation. In addition, the SPSR system can be operated continuously on external power by use of the recharger/power supply or cable provided.