

SM500F

Paperless recorder

Replacement parts and upgrade kits

Measurement made easy



Sales



Service



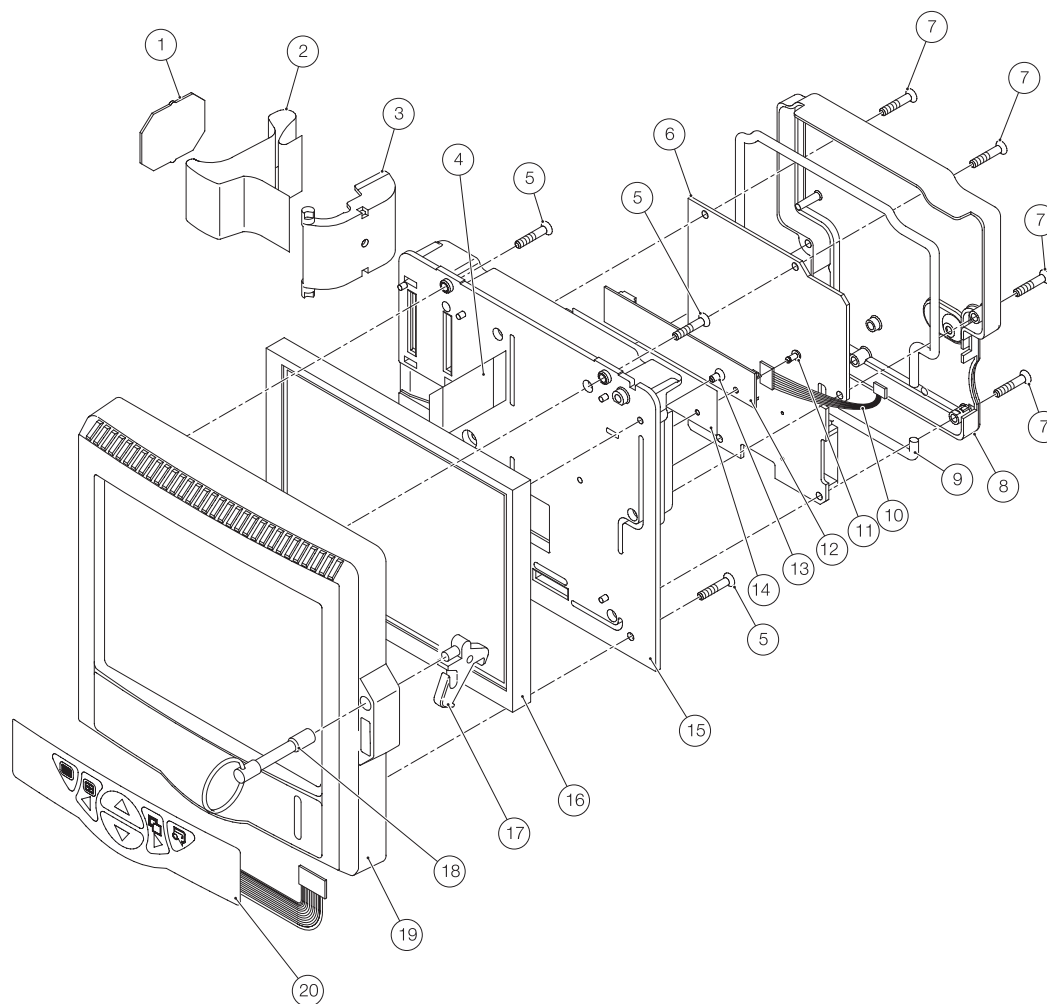
Introduction

This parts list contains:

- Exploded diagrams of the SM500F paperless recorder for easy identification of replacement parts
- Spare parts list
- Details of product upgrade kits that are designed to add extra features and functionality to the instruments
- Service kits
- Ancillary parts

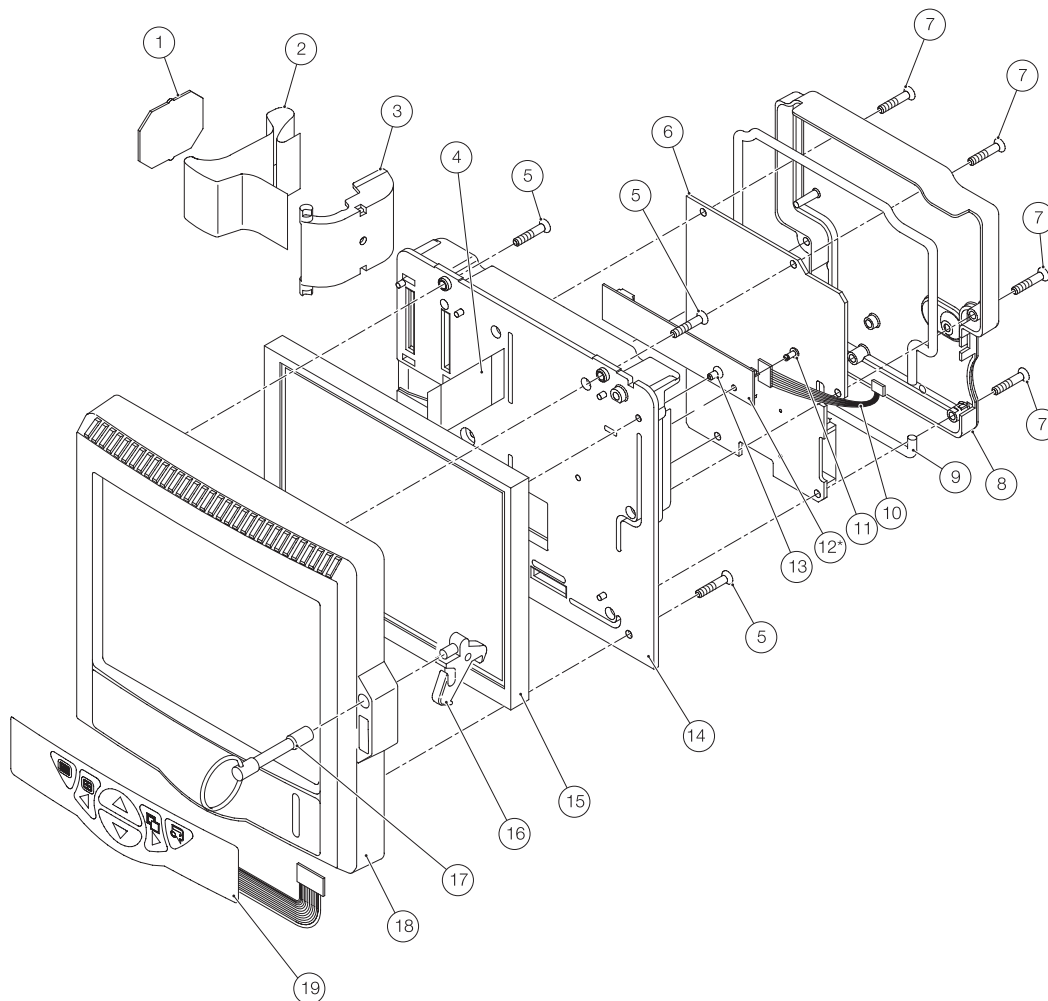
Replacement parts

Instruments manufactured before 15th March 2013



Item no.	Description	Part no.
1	Flexi-cable retainer	SM500/0115
2	Flexi-cable	B12404
3	Cable guide	SM500/0108
4	Flexi-cable	B12403
5	Screw	B12406
6	Processor board assembly color	SM500/0716
6	Processor board assembly mono	SM500/0717
7	Screw	B12406
8	Lid	SM500/0116
9	Beryllium copper wire mesh	B12424
10	Inverter cable (color only)	SM500/0071
11	Snap rivet	B11894
12	Inverter (color only) (no longer available)	
13	Screw	B12452
14	Inverter insulator (color only)	SM500/0126
15	Display cover	SM500/0109
16	LCD color display	SM500/0720
16	Monochrome display	SM500/0721
17	Latch	SM500/0103
18	Key	SM500/0710
19	Display housing assembly (color display)	SM500/0052
19	Display housing assembly (mono display)	SM500/0050
20	Membrane switch	SM500/0180

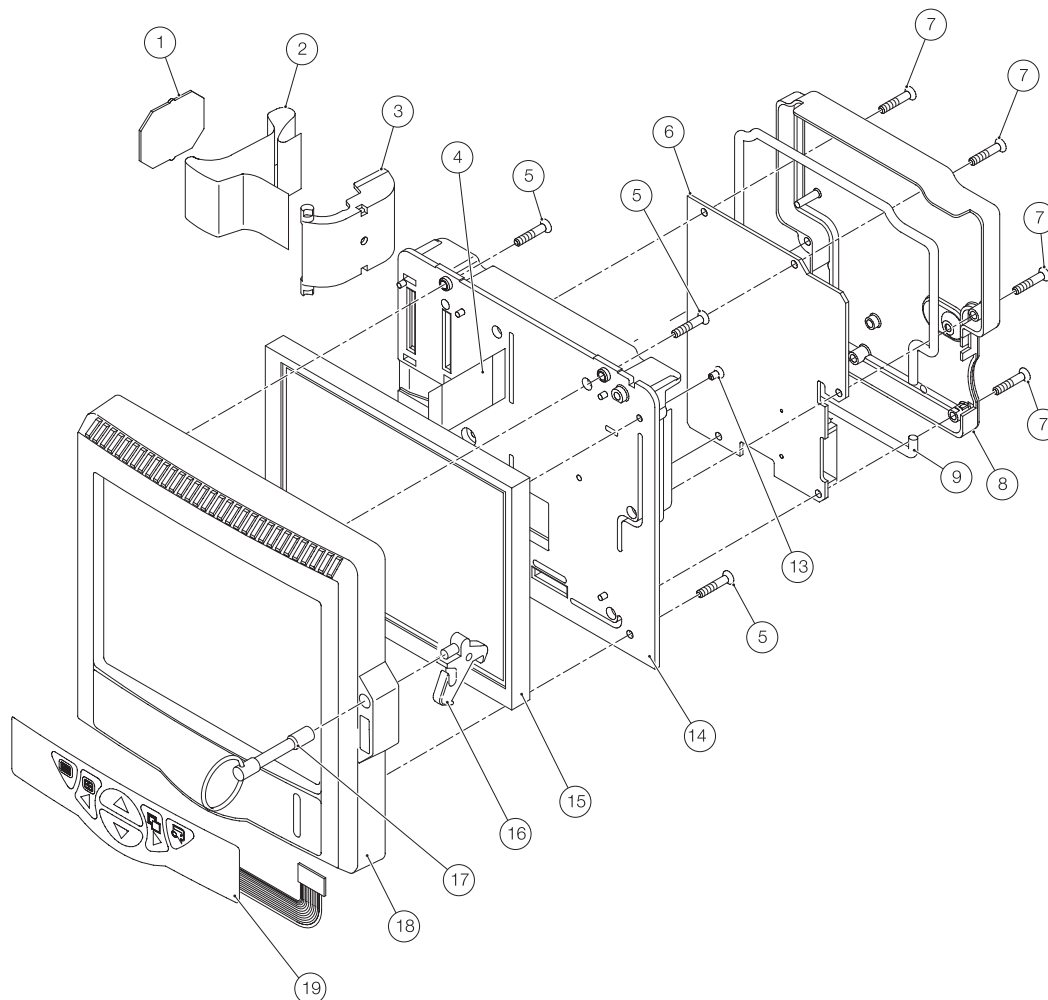
Instruments manufactured after 15th March 2013



Item no.	Description	Part no.
1	Flexi-cable retainer	SM500/0115
2	Flexi-cable	B12404
3	Cable guide	SM500/0108
4	Flexi-cable	B12403
5	Screw	B12406
6	Processor board assembly color	SM500/0734
	Processor board assembly mono	SM500/0717
7	Screw	B12406
8	Lid	SM500/0116
9	Beryllium copper wire mesh	B12424
10	Inverter cable (color only)	SM500/0071
11	Snap rivet	B11894
12	Backlight interface board (no longer available)	
13	Screw	B12452
14	Display cover	SM500/0109
15	LCD color display	SM500/0733
	Monochrome display	SM500/0721
16	Latch	SM500/0103
17	Key	SM500/0710
18	Display housing assembly (color display)	SM500/0052
	Display housing assembly (mono display)	SM500/0050
19	Membrane switch	SM500/0180

...Replacement parts

Instruments manufactured after 1st October 2016



Item no.	Description	Part no.
1	Flexi-cable retainer	SM500/0115
2	Flexi-cable	B12404
3	Cable guide	SM500/0108
4	Flexi-cable	B12403
5	Screw	B13831
6	Processor board assembly color	SM500/0736
6	Processor board assembly mono	SM500/0717
7	Screw	B12406
8	Lid	SM500/0116
9	Beryllium copper wire mesh	B12424
13	Screw	B12452
14	Display cover	SM500/0109
15	LCD color display	SM500/0735
15	Monochrome display	SM500/0721
16	Latch	SM500/0103
17	Key	SM500/0710
18	Display housing assembly (color display)	SM500/0052
18	Display housing assembly (mono display)	SM500/0050
19	Membrane switch	SM500/0180

Upgrade kits

Boards

Description	Part no.
Analog input board service pack	SM500/0700
2-Relay module board service pack	SM500/0701
Ethernet module board service pack	SM500/0702
Transmitter power supply board service pack	SM500/0706
Color display door assembly replacement pack	SM500/0722
Monochrome display door assembly replacement pack	SM500/0723
Dual input module service pack	SM500/0725
RS485 module board service pack	SM500/0726

Accessories

Description	Part no.
Single panel clamp service kit	SM500/0714
Key + key ring assembly service kit	SM500/0710
Cable gland pack	SM500/0707
Ethernet cable gland pack	SM500/0708
Pipe-mounting kit	SM500/0703

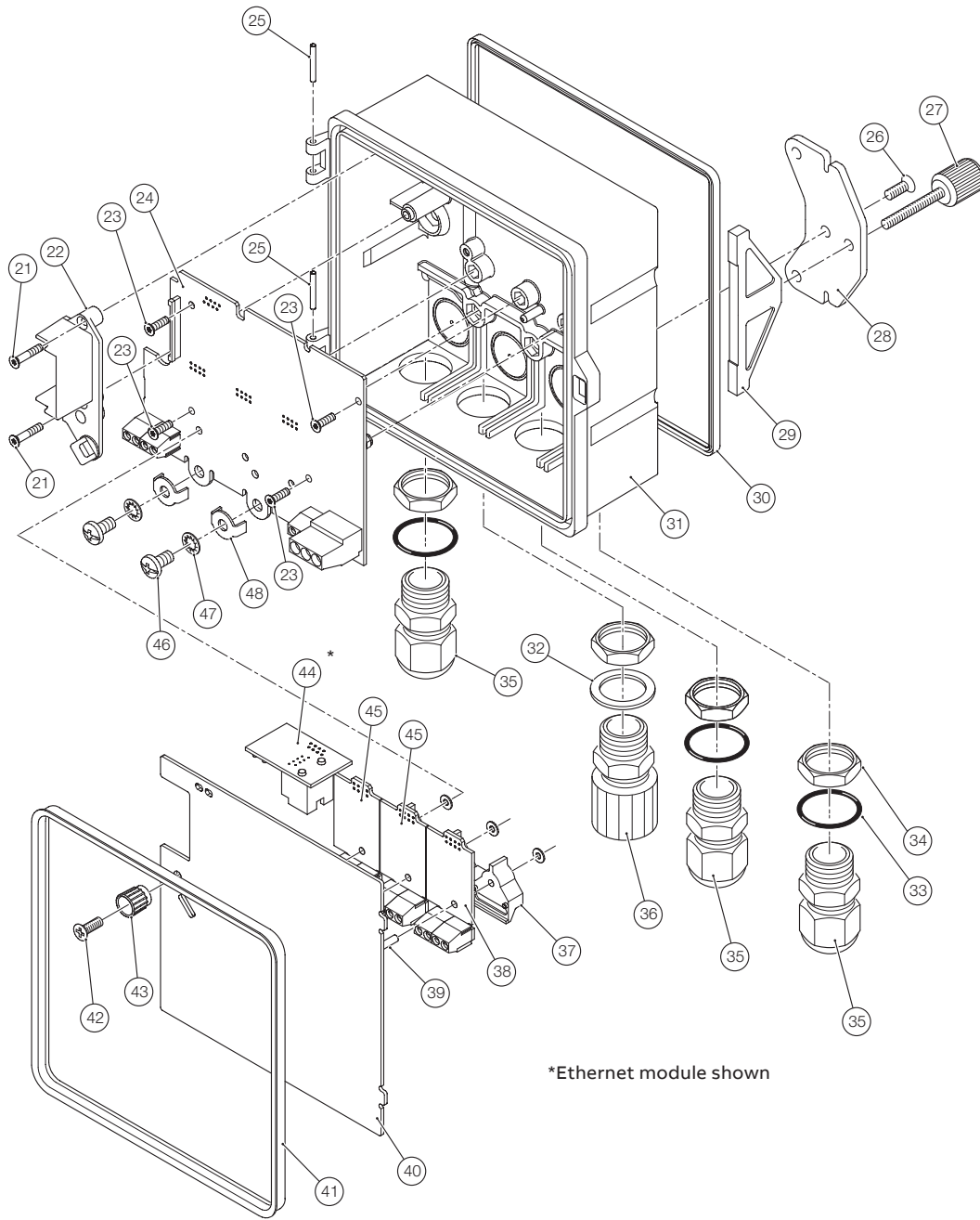
Software

Description	Part no.
Totalizer software service pack	SM500/0712
Math and logic software service pack	SM500/0711
Totalizer/math and logic software service pack	SM500/0713
Batch upgrade	SM500/0727
Batch and totalizer upgrade	SM500/0728
Batch and math/logic upgrade	SM500/0729
Batch, math/logic and totalizer upgrade	SM500/0730

Manuals

Description	Part no.
SM500F Instruction manual (English)	IM/SM500F
SM500F Instruction manual (German)	IM/SM500F-D
SM500F Instruction manual (French)	IM/SM500F-F
SM500F Instruction manual (Italian)	IM/SM500F-I
SM500F Instruction manual (Spanish)	IM/SM500F-E
SM500F Instruction manual (Portuguese)	IM/SM500F-PT
SM500F Instruction manual (Chinese)	IM/SM500F-ZH

Parts list



*Ethernet module shown

Item No.	Description	Part no.
21	Screw	B12406
22	Cable Guide Bracket	SM500/0112
23	Screw	B12405
24	Motherboard (100 to 240 V) Motherboard (24 V DC)	SM500/0718 SM500/0719
25	Bissel Pin	B11344
26	Screw (Single Panel Clamp Kit Available – see Upgrade Kits)	B12407
27	Panel Clamp Screw (Single Panel Clamp Kit Available – see Upgrade Kits, page 5)	B12303
28	Case Flange (Single Panel Clamp Kit Available – see Upgrade Kits, page 5)	SM500/0102
29	Panel Clamp (Single Panel Clamp Kit Available – see Upgrade Kits, page 5)	SM500/0105
30	Panel Seal	PR100/0186
31	Case Moulding	SM500/0100
32	Sealing Washer	B12302
33	O-Ring	0211179
34	Lock Nut	B12301
35	Standard Cable Gland Assembly	SM500/0715
36	Ethernet Cable Gland Assembly	SM500/0709
37	Module Board Support	SM500/0118
38	Analog Input Board Module Assembly Dual Input Module Assembly Transmitter Power Supply Board Assembly 2-Relay Module Board Assembly	SM500/0700 SM500/0725 SM500/0706 SM500/0701
39	Screw	B12148
40	Terminal Cover Assembly (including items 42 and 43) Terminal Cover (24 V DC) Assembly (including items 42 and 43)	SM500/0054 SM500/0055
41	Case Seal	SM500/0127
42	Screw	B9988
43	Front Plate Knob	B12425
44	Ethernet Module Board Assembly RS485 Module Board Assembly	SM500/0702 SM500/0726
45	Analog Input Board Assembly Dual Input Module Assembly	SM500/0700 SM500/0725
46	Screw	B12412
47	Lock Washer	B7401
48	Washer Clamp	B7428

—

ABB Limited

Measurement & Analytics

Howard Road, St. Neots
Cambridgeshire, PE19 8EU

UK

Tel: +44 (0)1480 475 321

Fax: +44 (0)1480 217 948

Email: instrumentation@gb.abb.com

ABB Inc.

Measurement & Analytics

125 E. County Line Road
Warminster, PA 18974

USA

Tel: +1 215 674 6000

Fax: +1 215 674 7183

abb.com/measurement



—

We reserve the right to make technical changes or modify the contents of this document without prior notice. With regard to purchase orders, the agreed particulars shall prevail. ABB does not accept any responsibility whatsoever for potential errors or possible lack of information in this document.

We reserve all rights in this document and in the subject matter and illustrations contained therein. Any reproduction, disclosure to third parties or utilization of its contents – in whole or in parts – is forbidden without prior written consent of ABB.

©ABB 2018
All rights reserved.