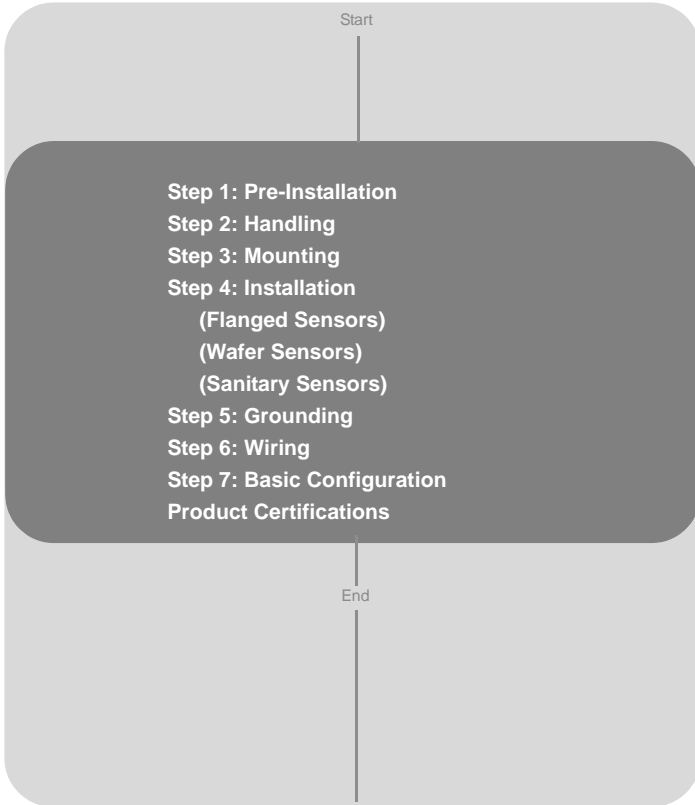


## Quick Installation Guide

00825-0100-4663, Rev BC  
December 2012

Rosemount 8732

# Rosemount 8732E Magnetic Flowmeter System with FOUNDATION™ fieldbus (Transmitter and Sensor)



**ROSEMOUNT™**

[www.rosemount.com](http://www.rosemount.com)



**EMERSON**  
Process Management

**Rosemount 8732**

© 2013 Rosemount Inc. All rights reserved. All marks property of owner.

**Emerson Process Management**

**Rosemount Flow**  
7070 Winchester Circle,  
Boulder, CO 80301  
T (US) (800) 522 6277  
T (Intl) (303) 527 5200  
F (303) 530 8459

**Emerson Process**

**Management Flow**  
Neonstraat 1  
6718 WX Ede  
The Netherlands  
T +31 (0)318 495555  
F +31(0) 318 495556

**Emerson FZE**

P.O. Box 17033  
Jebel Ali Free Zone  
Dubai UAE  
Tel +971 4 811 8100  
Fax +971 4 886 5465

**Emerson Process**

**Management Asia Pacific  
Private Limited**  
1 Pandan Crescent  
Singapore 128461  
T (65) 6777 8211  
F (65) 6777 0947/65 6777 0743

**⚠ IMPORTANT NOTICE**

This document provides basic installation guidelines for the Rosemount® 8732. It does not provide instructions for detailed configuration, diagnostics, maintenance, service, troubleshooting, explosion-proof, flame-proof, or intrinsically safe (I.S.) installations. Refer to the Rosemount 8732 reference manual (document number 00809-0100-4663) for more instructions. The manual and this QIG are also available electronically on [www.rosemount.com](http://www.rosemount.com).

**⚠ WARNING**

**Failure to follow these installation guidelines could result in death or serious injury:**

Installation and servicing instructions are for use by qualified personnel only. Do not perform any servicing other than that contained in the operating instructions, unless qualified. Verify that the operating environment of the sensor and transmitter is consistent with the appropriate FM, CSA, ATEX, or IECEx approval.

Do not connect a Rosemount 8732 to a non-Rosemount sensor that is located in an explosive atmosphere.

**⚠ WARNING**

The sensor liner is vulnerable to handling damage. Never place anything through the sensor for the purpose of lifting or gaining leverage. Liner damage can render the sensor useless.

To avoid possible damage to the sensor liner ends, do not use metallic or spiral-wound gaskets. If frequent removal is anticipated, take precautions to protect the liner ends. Short spool pieces attached to the sensor ends are often used for protection.

Correct flange bolt tightening is crucial for proper sensor operation and life. All bolts must be tightened in the proper sequence to the specified torque limits. Failure to observe these instructions could result in severe damage to the sensor lining and possible sensor replacement.

**⚠ WARNING**

Rosemount 8705 Magnetic Flowtube units ordered with non-standard paint options may be subject to electrostatic discharge.

To avoid electrostatic charge build-up, do not rub the meter body with a dry cloth or clean with solvents.

## Quick Installation Guide

00825-0100-4663, Rev BC  
December 2012

Rosemount 8732

### STEP 1: PRE-INSTALLATION

Before installing the Rosemount 8732 Magnetic Flowmeter Transmitter, there are several pre-installation steps that should be completed to make the installation process easier:

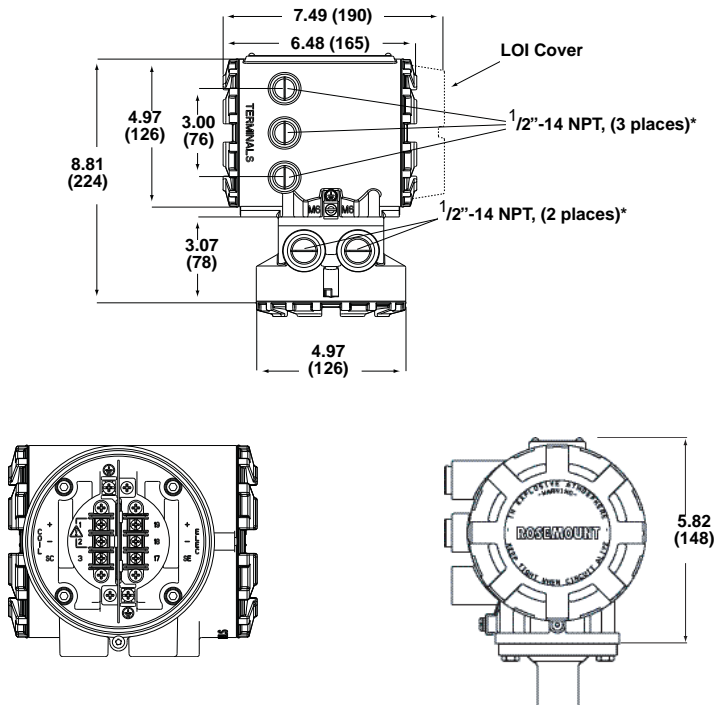
- Identify the options and configurations that apply to your application
- Set the hardware switches if necessary
- Consider mechanical, electrical, and environmental requirements

#### Mechanical Considerations

The mounting site for the Rosemount 8732 transmitter should provide enough room for secure mounting, easy access to conduit ports, full opening of the transmitter covers, and easy readability of the display screen (see Figure 1).

If the Rosemount 8732 is mounted separately from the sensor, it is not subject to limitations that might apply to the sensor.

Figure 1. Rosemount 8732 Dimensional Drawing



#### NOTE:

\* M20 and PG 13.5 connections are available with the use of threaded conduit adapters.

## Rosemount 8732

---

### **Environmental Considerations**

To ensure maximum transmitter life, avoid excessive heat and vibration. Typical problem areas:

- high-vibration lines with integrally mounted transmitters
- warm-climate installations in direct sunlight
- outdoor installations in cold climates.

Remote-mounted transmitters may be installed in the control room to protect the electronics from the harsh environment and provide easy access for configuration or service.

Both remotely and integrally mounted Rosemount 8732 transmitters require external power so there must be access to a suitable power source.

### **Installation Procedures**

Rosemount 8732 installation includes both detailed mechanical and electrical installation procedures.

#### **Mount the Transmitter**

At a remote site the transmitter may be mounted on a pipe up to two inches in diameter or against a flat surface.

#### **Pipe Mounting**

To mount the transmitter on a pipe:

1. Attach the mounting bracket to the pipe using the mounting hardware.
2. Attach the Rosemount 8732 to the mounting bracket using the mounting screws.

#### **Hardware Jumpers/Switches**

The 8732 electronics board is equipped with two user-selectable hardware switches. These switches set the Simulate Enable and Transmitter Security. The standard configuration for these switches when shipped from the factory are as follows:

Simulate Enable:           OFF

Transmitter Security:    OFF

#### **Changing Hardware Switch Settings**

In most cases, it is not necessary to change the setting of the hardware switches. If you need to change the switch settings, complete the steps outlined in the manual.

### **Electrical Considerations**

Before making any electrical connections to the Rosemount 8732, consider local and plant electrical standards and be sure to have the proper power supply, conduit, and other accessories necessary to comply with these standards.

#### **Rotate Transmitter Housing**

The electronics housing can be rotated on the sensor in 90° increments by loosening the four mounting bolts on the bottom of the housing, and reinstalling the bolts. When the housing is returned to its original position, be sure the surface is clean and there is no gap between the housing and the sensor.

## Quick Installation Guide

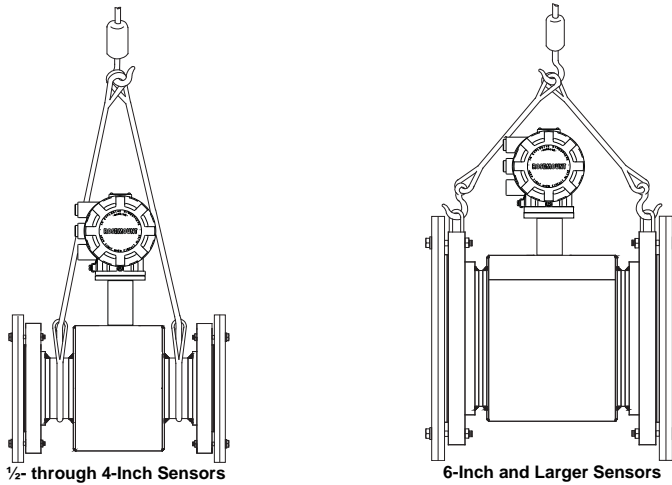
00825-0100-4663, Rev BC  
December 2012

Rosemount 8732

### STEP 2: HANDLING

Handle all parts carefully to prevent damage. Whenever possible, transport the system to the installation site in the original shipping containers. PTFE-lined sensors are shipped with end covers that protect it from both mechanical damage and normal unrestrained distortion. Remove the end covers just before installation.

**Figure 2. Rosemount 8705 Sensor Support for Handling**

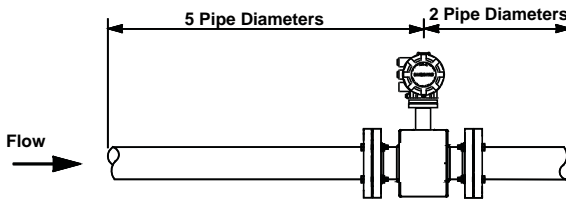


## STEP 3: MOUNTING

### Upstream/Downstream Piping

To ensure specification accuracy over widely varying process conditions, install the sensor a minimum of five straight pipe diameters upstream and two pipe diameters downstream from the electrode plane (see Figure 3).

**Figure 3. Upstream and Downstream Straight Pipe Diameters**



Installations with reduced straight runs from 0 to five pipe diameters are possible. In reduced straight pipe run installations, performance will shift to as much as 0.5% of rate. Reported flow rates will still be highly repeatable.

### Flow Direction

The sensor should be mounted so the FORWARD end of the flow arrow, shown on the sensor identification tag, points in the direction of flow through the sensor.

## Quick Installation Guide

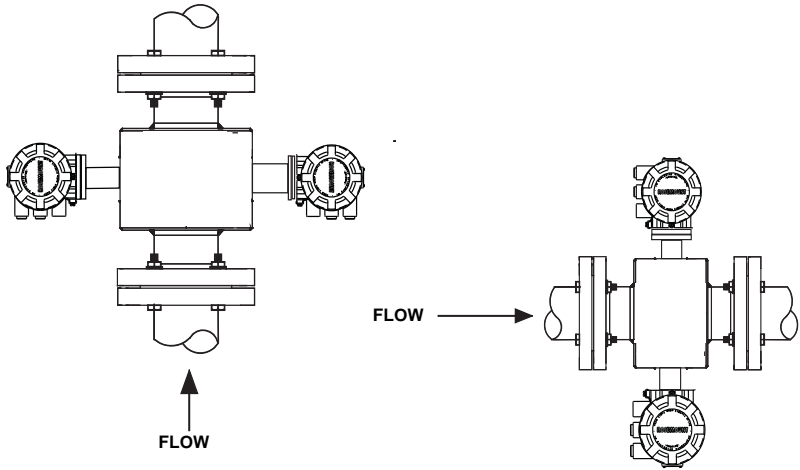
00825-0100-4663, Rev BC  
December 2012

Rosemount 8732

### Sensor Location

The sensor should be installed in a location that ensures the sensor remains full during operation. Vertical installation allows upward process fluid flow and keeps the cross-sectional area full, regardless of flow rate. Horizontal installation should be restricted to low piping sections that are normally full.

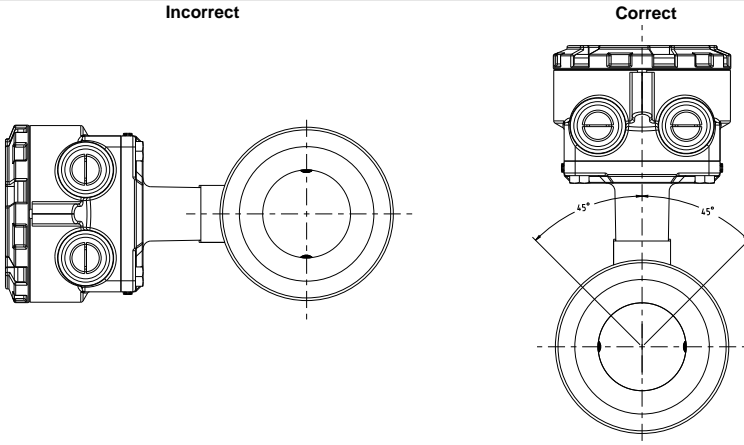
**Figure 4. Sensor Orientation**



### Sensor Orientation

The electrodes in the sensor are properly orientated when the two measurement electrodes are in the 3 and 9 o'clock positions or within  $45^\circ$  from the vertical, as shown on the right of Figure 5. Avoid any mounting orientation that positions the top of the sensor at  $90^\circ$  from the vertical position as shown on the left of Figure 5.

**Figure 5. Mounting Position**

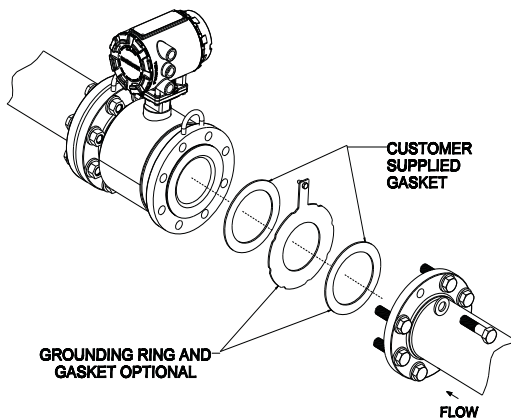


## Rosemount 8732

**STEP 4: INSTALLATION****Flanged Sensors****Gaskets**

The sensor requires a gasket at each of its connections to adjacent devices or piping. The gasket material selected must be compatible with the process fluid and operating conditions. Metallic or spiral-wound gaskets can damage the liner. Gaskets are required on each side of a grounding ring. All other applications (including sensors with lining protectors or a grounding electrode) require only one gasket on each end connection.

**Figure 6. Flanged gasket placement**

**Flange Bolts****NOTE**

Do not bolt one side at a time. Tighten each side simultaneously. Example:

1. Snug left
2. Snug right
3. Tighten left
4. Tighten right

Do not snug and tighten the upstream side and then snug and tighten the downstream side. Failure to alternate between the upstream and downstream flanges when tightening bolts may result in liner damage.

Suggested torque values by sensor line size and liner type are listed in Table 1 for ASME B16.5 and Table 2 for EN flanges. Consult the factory if the flange rating of the sensor is not listed. Tighten flange bolts on the upstream side of the sensor in the incremental sequence shown in Figure 7 to 20% of the suggested torque values. Repeat the process on the downstream side of the sensor. For sensors with more or less flange bolts, tighten the bolts in a similar crosswise sequence. Repeat this entire tightening sequence at 40%, 60%, 80%, and 100% of the suggested torque values or until the leak between the process and sensor flanges stop.

If leakage has not stopped at the suggested torque values, the bolts can be tightened in additional 10% increments until the joint stops leaking, or until the measured torque value



## Quick Installation Guide

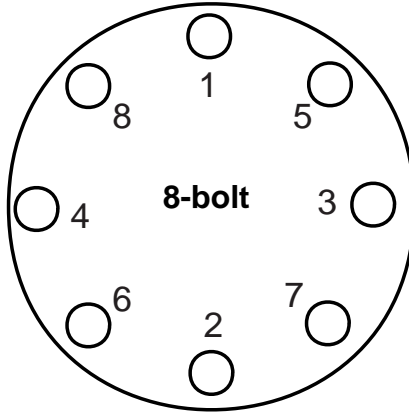
00825-0100-4663, Rev BC  
December 2012

Rosemount 8732

reaches the maximum torque value of the bolts. Practical consideration for the integrity of the liner often leads the user to distinct torque values to stop leakage due to the unique combinations of flanges, bolts, gaskets, and sensor liner material.

Check for leaks at the flanges after tightening the bolts. Failure to use the correct tightening methods can result in severe damage. Sensors require a second tightening 24 hours after the initial installation. Over time, sensor liner materials may deform under pressure.

**Figure 7. Flange Bolt Torquing Sequence**



**Table 1. Suggested Flange Bolt Torque Values for Rosemount 8705 and 8707 High-Signal Sensors**

Size Code	Line Size	PTFE/ETFE/PFA liners		Polyurethane/Neoprene/Linatex/Adiprene liner	
		Class 150 (pound-feet)	Class 300 (pound-feet)	Class 150 (pound-feet)	Class 300 (pound-feet)
005	0.5 inch (15 mm)	8	8	-	-
010	1 inch (25 mm)	8	12	-	-
015	1.5 inch (40 mm)	13	25	7	18
020	2 inch (50 mm)	19	17	14	11
025	2.5 inch (65 mm)	22	24	17	16
030	3 inch (80 mm)	34	35	23	23
040	4 inch (100 mm)	26	50	17	32
050	5 inch (125 mm)	36	60	25	35
060	6 inch (150 mm)	45	50	30	37
080	8 inch (200 mm)	60	82	42	55
100	10 inch (250 mm)	55	80	40	70
120	12 inch (300 mm)	65	125	55	105
140	14 inch (350 mm)	85	110	70	95
160	16 inch (400 mm)	85	160	65	140
180	18 inch (450 mm)	120	170	95	150
200	20 inch (500 mm)	110	175	90	150
240	24 inch (600 mm)	165	280	140	250
300	30 inch (750 mm)	195	415	165	375
360	36 inch (900 mm)	280	575	245	525

**Rosemount 8732**

**Table 2. Flange Bolt Torque and Bolt Load Specifications for 8705 (EN 1092-1)**

Size Code	Line Size	PTFE/ETFE liner			
		PN10 (Newton-meter)	PN 16 (Newton-meter)	PN 25 (Newton-meter)	PN 40 (Newton-meter)
005	0.5-inch (15 mm)				10
010	1 inch (25 mm)				20
015	1.5 inch (40 mm)				50
020	2 inch (50 mm)				60
025	2.5 inch (65 mm)				50
030	3 inch (80 mm)				50
040	4 inch (100 mm)		50		70
050	5.0 inch (125 mm)		70		100
060	6 inch (150mm)		90		130
080	8 inch (200 mm)	130	90	130	170
100	10 inch (250 mm)	100	130	190	250
120	12 inch (300 mm)	120	170	190	270
140	14 inch (350 mm)	160	220	320	410
160	16 inch (400 mm)	220	280	410	610
180	18 inch (450 mm)	190	340	330	420
200	20 inch (500 mm)	230	380	440	520
240	24 inch (600 mm)	290	570	590	850

## Quick Installation Guide

00825-0100-4663, Rev BC  
December 2012

Rosemount 8732

Table 2. (continued) Flange Bolt Torque and Bolt Load Specifications for 8705 (EN 1092-1)

Size Code	Line Size	Polyurethane, Linatex, Adiprene and Neoprene Liners			
		PN 10	PN 16	PN 25	PN 40
		(Newton-meter)	(Newton-meter)	(Newton-meter)	(Newton-meter)
010	1 inch (25 mm)				20
015	1.5 inch (40 mm)				30
020	2 inch (50 mm)				40
025	2.5 inch (65 mm)				35
030	3 inch (80 mm)				30
040	4 inch (100 mm)		40		50
050	5.0 inch (125 mm)		50		70
060	6 inch (150mm)		60		90
080	8 inch (200 mm)	90	60	90	110
100	10 inch (250 mm)	70	80	130	170
120	12 inch (300 mm)	80	110	130	180
140	14 inch (350 mm)	110	150	210	280
160	16 inch (400 mm)	150	190	280	410
180	18 inch (450 mm)	130	230	220	280
200	20 inch (500 mm)	150	260	300	350
240	24 inch (600 mm)	200	380	390	560

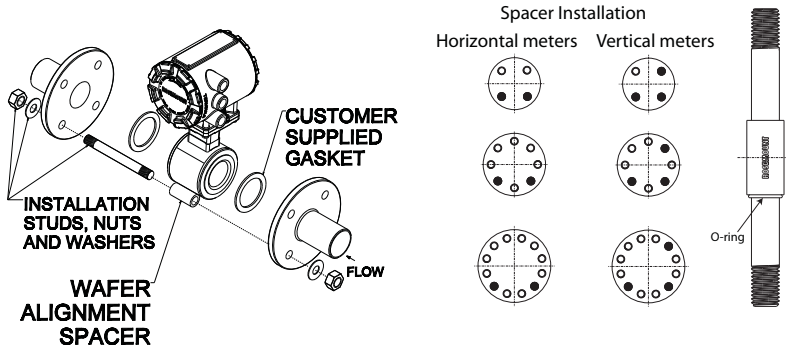
Rosemount 8732

Wafer Sensors

Gaskets

The sensor requires a gasket at each of its connections to adjacent devices or piping. The gasket material selected must be compatible with the process fluid and operating conditions. Metallic or spiral-wound gaskets can damage the liner. Gaskets are required on each side of a grounding ring. See Figure 8 below.

Figure 8. Wafer gasket placement



Alignment

1. On 1.5 through 8-inch (40 through 200 mm) line sizes. Rosemount strongly recommends installing the alignment spacers provided to insure proper centering of the wafer sensor between the process flanges. Sensor sizes of 0.15, 0.30, 0.5 and 1 in. (4 through 25 mm), do not require alignment spacers.
2. Insert studs for the bottom side of the sensor between the pipe flanges and center the alignment spacer in the middle of the stud. See Figure 8 for the bolt hole locations recommended for the spacers provided. Stud specifications are listed in Table 3.
3. Place the sensor between the flanges. Make sure that the alignment spacers are properly centered on the studs. For vertical flow installations slide the oring over the stud to keep the spacer in place. See Figure 8. To ensure the spacers match the flange size and class rating for the process flanges see Table 4.
4. Insert the remaining studs, washers, and nuts.
5. Tighten to the torque specifications shown in Table 5. Do not overtighten the bolts or the liner may be damaged.

Table 3. Stud Specifications

Nominal Sensor Size	Stud Specifications
0.15 – 1 inch (4 – 25 mm)	316 SST ASTM A193, Grade B8M Class 1 threaded mounted studs
1.5 – 8 inch (40 – 200 mm)	CS, ASTM A193, Grade B7, threaded mounting studs

NOTE

Sensor sizes of 0.15, 0.30, and 0.5 in. mount between AMSE 1/2-inch flanges. Using carbon steel bolts on sensor sizes of 0.15, 0.30, 0.5 and 1 in. (15 and 25 mm), rather than the required stainless steel bolts, will degrade the flow sensor measurement.

**Quick Installation Guide**00825-0100-4663, Rev BC  
December 2012

Rosemount 8732

Table 4. Rosemount Alignment Spacer Table

Rosemount Alignment Spacer Table			
Dash No.	Line Size		Flange Rating
	(in)	(mm)	
0A15	1.5	40	JIS 10K-20K
0A20	2	50	JIS 10K-20K
0A30	3	80	JIS 10K
0B15	1.5	40	JIS 40K
AA15	1.5	40	ANSI - 150#
AA20	2	50	ANSI - 150#
AA30	3	80	ANSI - 150#
AA40	4	100	ANSI - 150#
AA60	6	150	ANSI - 150#
AA80	8	200	ANSI - 150#
AB15	1.5	40	ANSI - 300#
AB20	2	50	ANSI - 300#
AB30	3	80	ANSI - 300#
AB40	4	100	ANSI - 300#
AB60	6	150	ANSI - 300#
AB80	8	200	ANSI - 300#
AB15	1.5	40	ANSI - 300#
AB20	2	50	ANSI - 300#
AB30	3	80	ANSI - 300#
AB40	4	100	ANSI - 300#
AB60	6	150	ANSI - 300#
AB80	8	200	ANSI - 300#
DB40	4	100	DIN - PN10/16
DB60	6	150	DIN - PN10/16
DB80	8	200	DIN - PN10/16
DC80	8	100	DIN - PN25
DD15	1.5	150	DIN - PN10/16/25/40
DD20	2	50	DIN - PN10/16/25/40
DD30	3	80	DIN - PN10/16/25/40
DD40	4	100	DIN - PN25/40
DD60	6	150	DIN - PN25/40
DD80	8	200	DIN - PN40
RA80	8	200	AS40871-PN16
RC20	2	50	AS40871-PN21/35
RC30	3	80	AS40871-PN21/35
RC40	4	100	AS40871-PN21/35
RC60	6	150	AS40871-PN21/35
RC80	8	200	AS40871-PN21/35

To order an Alignment Spacer Kit (qty 3 spacers) use p/n 08711-3211-xxxx along with the Dash No. above.

## Rosemount 8732

**Flange Bolts**

Wafer sensors require threaded studs. See Figure 7 for torque sequence. Always check for leaks at the flanges after tightening the flange bolts. All sensors require a second torquing 24 hours after initial flange bolt tightening.

Table 5. Rosemount 8711 Torque Specifications

Size Code	Line Size	Pound-feet	Newton-meter
15F	0.15 inch (4 mm)	5	7
30F	0.30 inch (8 mm)	5	7
005	0.5 inch (15 mm)	5	7
010	1 inch (25 mm)	10	14
015	1.5 inch (40 mm)	15	20
020	2 inch (50 mm)	25	34
030	3 inch (80 mm)	40	54
040	4 inch (100 mm)	30	41
060	6 inch (150 mm)	50	68
080	8 inch (200 mm)	70	95

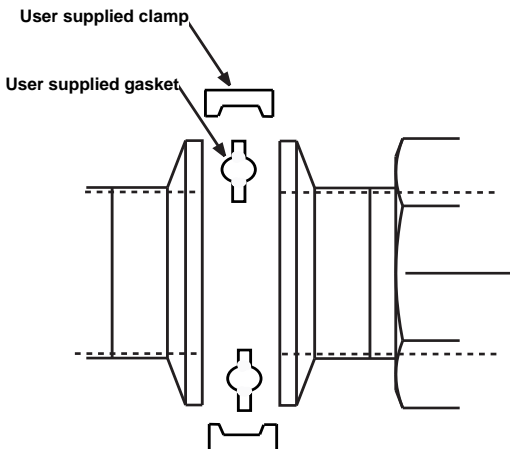
**Sanitary Sensors****Gaskets**

The sensor requires a gasket at each of its connections to adjacent devices or piping. The gasket material selected must be compatible with the process fluid and operating conditions. Gaskets are supplied between the IDF fitting and the process connection fitting, such as a Tri-Clamp fitting, on all Rosemount 8721 Sanitary sensors except when the process connection fittings are not supplied and the only connection type is an IDF fitting.

**Alignment and Bolting**

Standard plant practices should be followed when installing a magmeter with sanitary fittings. Unique torque values and bolting techniques are not required.

Figure 9. Rosemount 8721 Sanitary Installation



## Quick Installation Guide

00825-0100-4663, Rev BC  
December 2012

Rosemount 8732

### STEP 5: GROUNDING

Use Table 6 to determine which process grounding option to follow for proper installation. The sensor case should be earth grounded in accordance with national and local electrical codes. Failure to do so may impair the protection provided by the equipment.

Table 6. Process Grounding Installation

Process Grounding Options				
Type of Pipe	Grounding Straps	Grounding Rings	Grounding Electrode	Lining Protectors
Conductive Unlined Pipe	See Figure 10	Not Required	Not Required	See Figure 11
Conductive Lined Pipe	Insufficient Grounding	See Figure 11	See Figure 10	See Figure 11
Non-Conductive Pipe	Insufficient Grounding	See Figure 12	See Figure 13	See Figure 12

Figure 10. Grounding Straps or Grounding Electrode in Lined Pipe

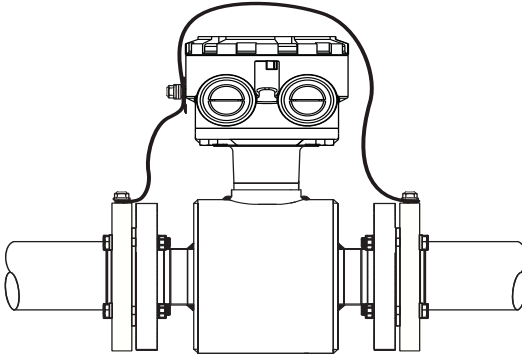
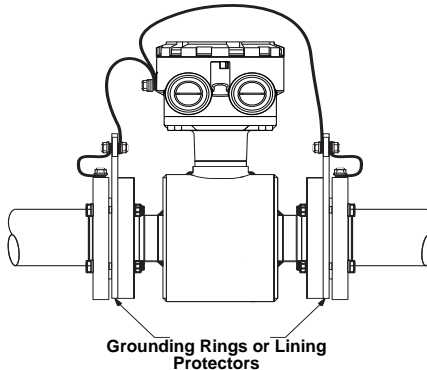


Figure 11. Grounding with Grounding Rings or Lining Protectors



Rosemount 8732

Figure 12. Grounding with Grounding Rings or Lining Protectors

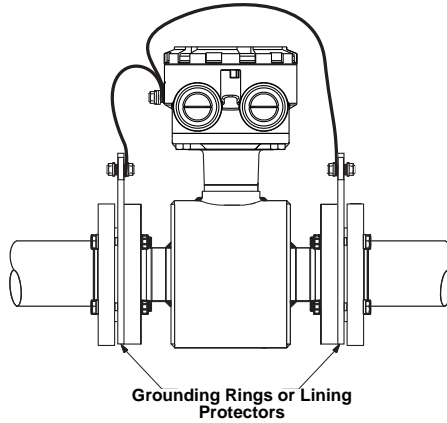
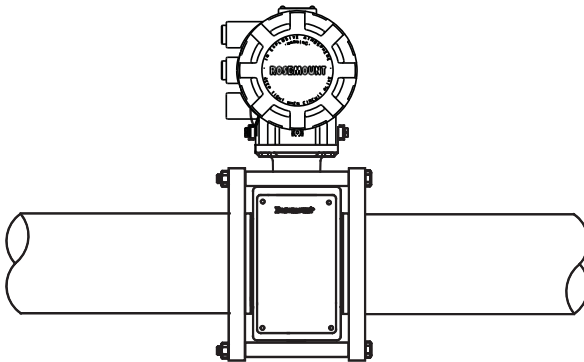


Figure 13. Grounding with Grounding Electrode





## STEP 6: WIRING

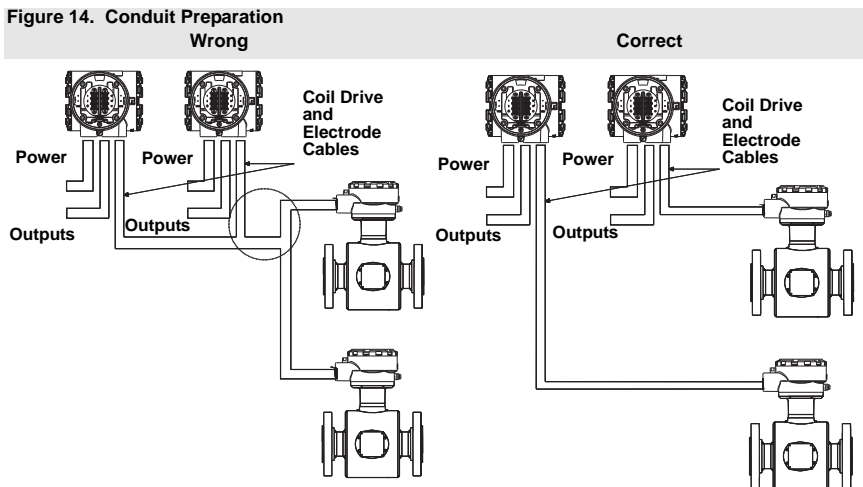
This wiring section covers the connection between the transmitter and sensor, the FOUNDATION fieldbus segment, and supplying power to the transmitter. Follow the conduit information, cable requirements, and disconnect requirements in the sections below.

### Conduit Ports and Connections

Both the sensor and transmitter junction boxes have ports for 1/2-inch NPT conduit connections with optional CM20 or PG 13.5 connections available. These connections should be made in accordance with national, local, and plant electrical codes. Unused ports should be sealed with metal plugs. Proper electrical installation is necessary to prevent errors due to electrical noise and interference. Separate conduits are not necessary for the coil drive and signal cables, but a dedicated conduit line between each transmitter and sensor is required. Shielded cable must be used for best results in electrically noisy environments. When preparing all wire connections, remove only the insulation required to fit the wire completely under the terminal connection. Removal of excessive insulation may result in an unwanted electrical short to the transmitter housing or other wire connections. For flanged sensors installed into an application requiring IP68 protection, sealed cable glands, conduit, and conduit plugs that meet IP68 ratings are required.

### Conduit Requirements

A single dedicated conduit run for the coil drive and signal cable is needed between the sensor and the remote transmitter. See Figure 14. Bundled cables in a single conduit are likely to create interference and noise problems in the system. Use one set of cables per conduit run.



## Rosemount 8732

**STEP 6 CONTINUED...**

Run the appropriate size cable through the conduit connections in your magnetic flowmeter system. Run the power cable from the power source to the transmitter. Run the coil drive and signal cables between the flowmeter sensor and transmitter.

- Installed signal wiring should not be run together and should not be in the same cable tray as AC or DC power wiring.
- Device must be properly grounded or earthed according to local electric codes.
- Rosemount combination cable part number 08732-0753-1003 (ft.) or 08732-0753-2004 (m) is required to be used to meet EMC requirements.

**Transmitter to Sensor Wiring**

The transmitter can be integral to the sensor or remotely mounted following the wiring instructions.

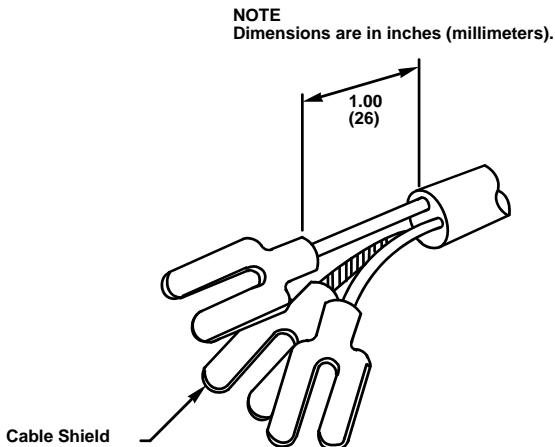
**Remote Mount Cable Requirements and Preparation**

For installations using the individual coil drive and signal cable, lengths should be limited to less than 1,000 feet (300 meters). Equal length cable is required for each. See Table 7.

For installations using the combination coil drive and signal cable, lengths should be limited to less than 330 feet (100 meters). See Table 7.

Prepare the ends of the coil drive and signal cables as shown in Figure 15. Limit the unshielded wire length to 1-inch on both the coil drive and signal cables. Any unshielded wire should be wrapped with proper insulation. Excessive lead length or failure to connect cable shields can create electrical noise resulting in unstable meter readings.

**Figure 15. Cable Preparation Detail**



## Quick Installation Guide

00825-0100-4663, Rev BC  
December 2012

Rosemount 8732

### STEP 6 CONTINUED...

To order cable specify length as quantity desired.

25 feet = Qty (25) 08732-0753-1003

Table 7. Cable Requirements

Description	Length	Part Number
Coil Drive Cable (14 AWG) Belden 8720, Alpha 2442 or equivalent	ft m	08712-0060-0001 08712-0060-2013
Signal Cable (20 AWG) Belden 8762, Alpha 2411 or equivalent	ft m	08712-0061-0001 08712-0061-2003
Combination Cable Coil Drive Cable (18 AWG) and Signal Cable (20 AWG)	ft m	08732-0753-1003 08732-0753-2004

### WARNING

Potential Shock Hazard Across Terminals 1 & 2 (40 Vac).

#### Wiring the Transmitter to the Sensor

When using individual cables for coil drive and signal, refer to Table 8. If using the combination coil drive and signal cable, refer to Table 9. See Figure 16 for transmitter specific wiring diagram.

1. Connect the coil drive cable using terminals 1, 2, and 3 (ground).
2. Connect the signal cable using terminals 17, 18, and 19.

Table 8. Individual Coil and Signal Cables

Transmitter Terminal	Sensor Terminal	Wire Gauge	Wire Color
1	1	14	Clear
2	2	14	Black
3 or Ground	3 or Ground	14	Shield
17	17	20	Shield
18	18	20	Black
19	19	20	Clear

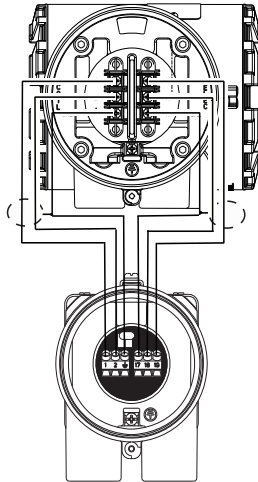
Table 9. Combination Coil and Signal Cable

Transmitter Terminal	Sensor Terminal	Wire Gauge	Wire Color
1	1	18	Red
2	2	18	Green
3 or Ground	3 or Ground	18	Shield
17	17	20	Shield
18	18	20	Black
19	19	20	White

Rosemount 8732

**STEP 6 CONTINUED...**

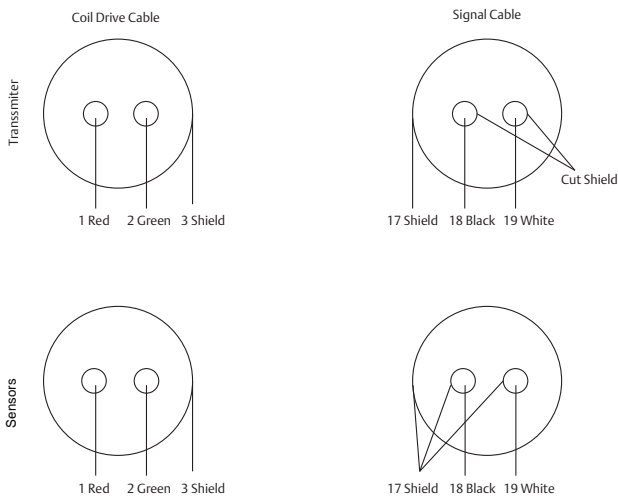
**Figure 16. Remote Mount Wiring Diagram**



**NOTE**

When using the Rosemount supplied combination cable, the signal wires for terminals 18 and 19 contain an additional shield wire. These two shield wires should be tied with the main shield wire at terminal 17 at the sensor terminal block and cut back to the insulation in the transmitter junction box. See Figure 17.

**Figure 17. Combination Coil and Signal Cable Wiring Diagram**

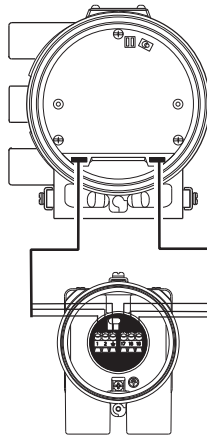


**STEP 6 CONTINUED...**

**Integral Mount Transmitters**

The interconnecting wire harness for an integral mount transmitter is installed at the factory. See Figure 18. Do not use cable other than that supplied by Emerson Process Management, Rosemount, Inc.

**Figure 18. 8732EST Integral Mount Wiring Diagram**



**FOUNDATION Fieldbus Connection Wiring**

**Transmitter Communication Input**

The FOUNDATION fieldbus communication requires a minimum of 9 V dc and a maximum of 32 V dc at the transmitter communication terminals. Do not exceed 32 V dc at the transmitter communication terminals. Do not apply ac line voltage to the transmitter communication terminals. Improper supply voltage can damage the transmitter.

**Field Wiring**

Power independent of the transmitter power supply must be supplied for FOUNDATION fieldbus communications. Use shielded, twisted pair for best results. In order to get maximum performance in new applications, twisted pair cable specifically designed for fieldbus communications should be used. The number of devices on a fieldbus segment is limited by the power supply voltage, the resistance of the cable, and the amount of current drawn by each device. See Table 10 for cable specifications.

**Table 10. Ideal Cable Specifications for Fieldbus Wiring**

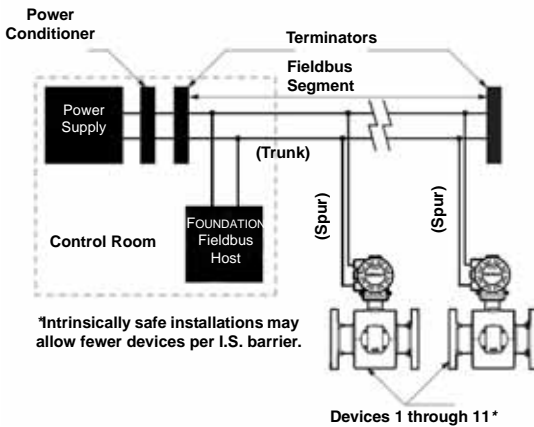
Characteristic	Ideal Specification
Impedance	100 Ohms $\pm$ 20% at 31.25 kHz
Wire Size	18 AWG (0,8 mm <sup>2</sup> )
Shield Coverage	90%
Attenuation	3 db/km
Capacitive Unbalance	2 nF/km

Rosemount 8732

**Power Conditioning**

Each fieldbus power supply requires a power conditioner to decouple the power supply output from the fieldbus wiring segment.

**Figure 19. Power Connections**



## Quick Installation Guide

00825-0100-4663, Rev BC  
December 2012

Rosemount 8732

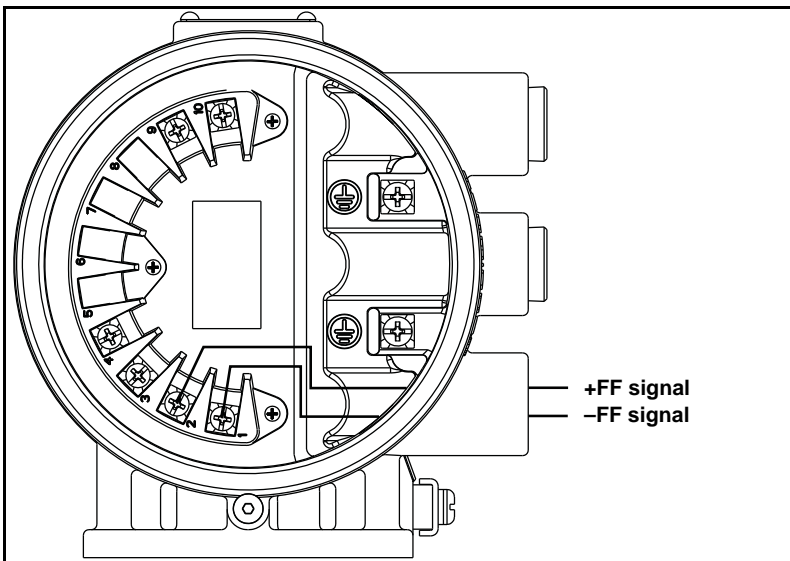
### Transmitter Wiring Connection

Follow the steps listed below to wire the model 8732E FOUNDATION Fieldbus transmitter:

1. Ensure Power Conditioner and cable meet the requirements shown above in 'Field Wiring'
2. Ensure the transmitter is not powered
3. Route Fieldbus wire through appropriate conduit entry
4. Connect one Fieldbus wire to terminal 1 and the other Fieldbus wire to terminal 2. The 8732E Fieldbus transmitter is polarity insensitive. See Figure 20.

When wiring to screw terminals, crimped lugs are recommended. Tighten the terminals to ensure adequate contact. Both transmitter covers must be fully engaged to meet explosion proof requirements. Do not remove the transmitter covers in an explosive atmosphere when the transmitter is powered.

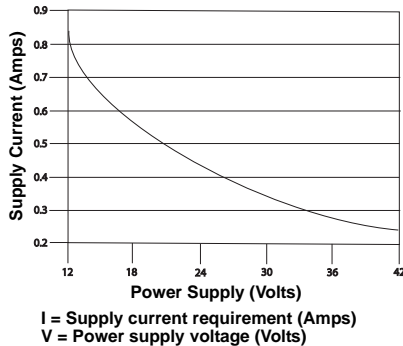
**Figure 20. 8732E FOUNDATION Fieldbus Wiring Diagram**



## Rosemount 8732

**Powering the Transmitter**

The 8732E transmitter is designed to be powered by 90-250 Vac, 50–60 Hz or 12–42 Vdc. Before connecting power to the Rosemount 8732E, consider the following standards and be sure to have the proper power supply, conduit, and other accessories. Wire the transmitter according to national, local, and plant electrical requirements for the supply voltage. See Figure 21.

**Figure 21. DC Power Supply Current Requirements****Supply Wire Requirements**

Use 12 to 18 AWG wire rated for the proper temperature of the application. For connections in ambient temperatures above 140 °F (60 °C), use a wire rated for 176 °F (80 °C). For ambient temperatures greater than 176 °F (80 °C), use a wire rated for 230 °F (110 °C). For DC powered transmitters with extended cable lengths, verify that there is a minimum of 12 V DC at the terminals of the transmitter.

**Disconnects**

Connect the device through an external disconnect or circuit breaker. Clearly label the disconnect or circuit breaker and locate it near the transmitter and per local electrical control.

**Installation Category**

The installation category for the 8732E is (Overvoltage) Category II.

**Overcurrent Protection**

The Rosemount 8732E flowmeter transmitter requires overcurrent protection of the supply lines. Maximum ratings of overcurrent devices are shown in Table 11.

Table 11. Overcurrent Limits

Power System	Fuse Rating	Manufacturer
95-250 V AC	2 Amp, Quick Acting	Bussman AGC2 or Equivalent
12-42 V DC	3 Amp, Quick Acting	Bussman AGC3 or Equivalent



## Quick Installation Guide

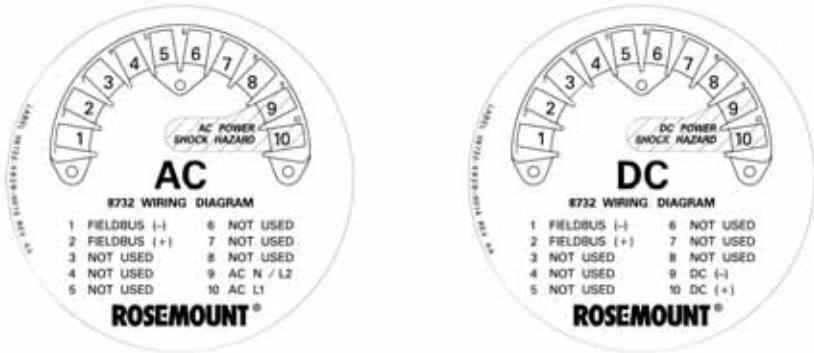
00825-0100-4663, Rev BC  
December 2012

Rosemount 8732

### 8732E Power Supply

For AC power applications (90-250 VAC, 50-60 Hz) connect AC Neutral to terminal 9 (AC N/L2) and connect AC Line to terminal 10 (AC/L1). For DC power applications connect negative to terminal 9 (DC -) and positive to terminal 10 (DC +). Units powered by 12-42 V DC power supply may draw up to 1 amp of current. See Figure 22 for terminal block connections.

Figure 22. 8732E Transmitter Power Connections



### Cover Jam Screw

For transmitter housings shipped with a cover jam screw, the screw should be properly installed once the transmitter has been wired and powered up. Follow these steps to install the cover jam screw:

1. Verify that the cover jam screw is completely threaded into the housing.
2. Install the transmitter housing cover and verify that the cover is tight against the housing.
3. Using an M4 hex wrench, loosen the jam screw until it contacts the transmitter cover.
4. Turn the jam screw an additional  $\frac{1}{2}$  turn counterclockwise to secure the cover.  
(Note: Application of excessive torque may strip the threads.)
5. Verify that the cover cannot be removed.

## Step 7: Basic Configuration

### Quick Start-Up

Once the magnetic flowmeter system is installed and communication is established, configuration of the transmitter must be completed. The standard transmitter configuration, without Option Code C1, Custom Configuration, is shipped with the following parameters:

Engineering Units: ft/s

Sensor Size: 3-in.

Sensor Calibration Number: 100000501000000

### Assigning Device Tag and Node Address

The 8732E Magnetic Flowmeter Transmitter with FOUNDATION fieldbus is shipped with a blank tag and a temporary address to allow a host to automatically assign an address and a tag. If the tag or address need to be changed, use the features of the configuration tool. The tools do the following:

- Change the tag to a new value.
- Change the address to a new address.

When the device is at a temporary address, only the tag and address can be changed or written to. The resource, transducer, and function blocks are all disabled.

### Flow-Specific Block Configuration

#### AI Block

The Analog Input (AI) function block provides the primary interface of the measurement to the control and/or monitoring systems. To properly configure the device, four parameters must be set in order to correctly interface between the AI block and transducer block.

1. Set the CHANNEL parameter to AI1.CHANNEL = 1 (Flow).  
In the 8732E Magnetic Flowmeter Transmitter only one channel is available.
2. Set the XD\_SCALE. The default configuration is 0-30 ft/s
3. Set the L\_TYPE as Direct. L\_TYPE can be either Direct or Indirect.
4. If setting the L\_TYPE as indirect, OUT\_SCALE range must be configured.

### General Block Configuration

In general, only the transducer block and AI block have configurations for flow-specific parameters. All other function blocks are configured by linking the AI block to other blocks to be used for control and/or monitoring applications.

#### NOTE

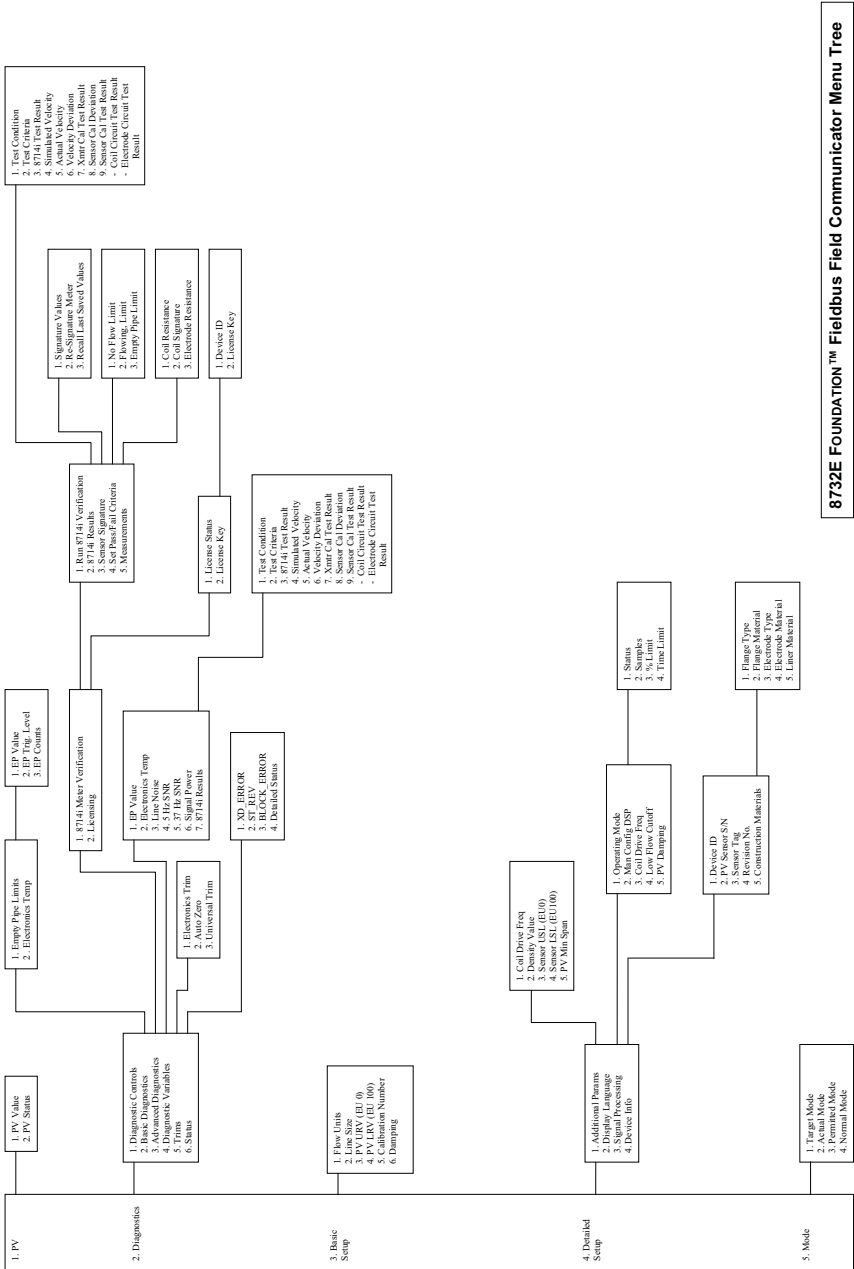
Refer to the FOUNDATION™ fieldbus Block product manual, document 00809-0100-4783, for more details on configuring and troubleshooting the AI block.

# Quick Installation Guide

00825-0100-4663, Rev BC  
December 2012

Rosemount 8732E

Figure 23. The Rosemount 8732E FOUNDATION fieldbus Menu Tree



8732E FOUNDATION™ Fieldbus Field Communicator Menu Tree

## Product Certifications

### Approved Manufacturing Locations

Rosemount Inc. — Eden Prairie, Minnesota, USA

Fisher-Rosemount Tecnologias de Flujo, S.A. de C.V. —  
Chihuahua Mexico


Emerson Process Management Flow — Ede, The Netherlands

Asia Flow Technology Center — Nanjing, China

### EUROPEAN DIRECTIVE INFORMATION

The EC declaration of conformity can be found on page 35. The most recent revision can be found at [www.rosemount.com](http://www.rosemount.com).

#### Type n protection type in accordance with EN50021

-  Closing of entries in the device must be carried out using the appropriate EEx e or EEx n metal cable gland and metal blanking plug or any appropriate ATEX approved cable gland and blanking plug with IP66 rating certified by an EU approved certification body.

#### CE Marking

Complies with EN 61326-1: 2006

For Rosemount 8732E transmitters:

#### Complies with Essential Health and Safety Requirements:

**EN 60079-0: 2006**

**EN 60079-1: 2007**

**EN 60079-7: 2007**

**EN 60079-11: 2007**

**EN 60079-26: 2004**

**EN 60079-27: 2006**

**EN 50281-1-1: 1998 + A1**

### International Certificates

Rosemount Inc. complies with the following IEC Requirements.

#### C-Tick Marking

For Rosemount 8732E transmitters:

**IEC 60079-0: 2004**

**IEC 60079-1: 2007-04**

**IEC 60079-11: 2006**

**IEC 60079-26: 2004**

**IEC 60079-7: 2006-07**

**IEC 61241-0: 2004**

**IEC 61241-1: 2004**

## Quick Installation Guide

00825-0100-4663, Rev BC  
December 2012

Rosemount 8732

---

### NOTE

For intrinsically safe (IS) outputs on the 8732E output option code F must be selected.  
IS outputs for Class I, Division 1, Groups A, B, C, D. Temp Code – T4 at 60°C  
IS outputs for Ex de [ia] IIB or IIC T6

### NOTE

For the 8732E transmitters with a local operator interface (LOI), the lower ambient temperature limit is -20 °C.

### North American Certifications

#### *FM Approvals*

**N0** Non-incendive for Class I, Division 2  
Groups A, B, C, and D non-flammable fluids  
(T4 at 60 °C: -50 °C ≤ Ta ≤ +60 °C)  
Dust-ignition proof Class II/III, Division 1  
Groups E, F, and G (T5 at 60 °C)  
Hazardous Locations; Enclosure Type 4X

**N5** Non-incendive for Class I, Division 2,  
Groups A, B, C, and D flammable fluids  
(T4 at 60 °C: -50 °C ≤ Ta ≤ +60 °C)  
Dust-ignition proof Class II/III, Division 1  
Groups E, F, and G (T5 at 60 °C)  
Hazardous Locations; Enclosure Type 4X  
Requires sensors with N5 Approval

**E5** Explosion proof for Class I, Division 1  
Groups C and D (T6 at 60 °C)  
Dust-ignition proof Class II/III, Division 1  
Groups E, F, and G (T5 at 60 °C),  
Non-incendive for Class I, Division 2  
Groups A, B, C, and D flammable fluids  
(T4 at 60 °C: -50 °C ≤ Ta ≤ +60 °C)  
Hazardous Locations; Enclosure Type 4X



#### *Canadian Standards Association (CSA)*

**N0** Non-incendive for Class I, Division 2  
Groups A, B, C, and D non-flammable fluids  
(T4 at 60 °C: -50 °C ≤ Ta ≤ +60 °C)  
Dust-ignition proof Class II/III, Division 1  
Groups E, F, and G (T4 at 60 °C)  
Hazardous Locations; Enclosure Type 4X

## Rosemount 8732

**European Certifications****E1 ATEX Flameproof**

Certificate No: KEMA 07ATEX0073 X

 II 2G Ex de IIC T6 or IIC 2G Ex de [ia] IIC T6

without LOI (-50 °C ≤ Ta ≤ +60 °C)



with LOI (-20 °C ≤ Ta ≤ +60 °C)

V<sub>max</sub> = 250 V AC or 42 V DC

CE 0575

**ED ATEX Flameproof**

Certificate No: KEMA 07ATEX0073 X

 II 2G Ex de IIB T6 or II 2G Ex de [ia] IIB T6

without LOI (-50 °C ≤ Ta ≤ +60 °C)


with LOI (-20 °C ≤ Ta ≤ +60 °C)

V<sub>max</sub> = 250 V AC or 42 V DC


CE 0575

**ND ATEX Dust**

Certificate No: KEMA 07ATEX0073 X

 II 1D Ex tD A20 IP66 T100 °C or

with I.S. outputs

 II G [Ex ia] IIC

without LOI (-50 °C ≤ Ta ≤ +60 °C)

with LOI (-20 °C ≤ Ta ≤ +60 °C)

V<sub>max</sub> = 250 V AC or 42 V DC

IP 66

CE 0575

**Special Conditions for Safe Use (KEMA 07ATEX0073 X):**

Contact Rosemount Inc. for information on the dimensions of the flameproof joints. The property class of the security screws which attach the flowtube or junction box to the transmitter is SST A2-70.

**Installation Instructions:**

The cable and conduit entry devices and blanking elements shall be of a certified flameproof or increased safety type, suitable for the conditions of use and correctly installed. With the use of conduit, a certified stopping box shall be provided immediately to the entrance of the enclosure.

## Quick Installation Guide

00825-0100-4663, Rev BC  
December 2012

Rosemount 8732

---

### N1 ATEX Type n

Certificate No: BASEEFA 07ATEX0203X

⊕ II 3G Ex nA nL IIC T4

without LOI (-50 °C ≤ Ta ≤ +60 °C)

with LOI (-20 °C ≤ Ta ≤ +60 °C)

V<sub>max</sub> = 42 V DC

IP 66

CE 0575

#### Special Conditions for Safe Use (x):

The apparatus is not capable of withstanding the 500V insulation test required by Clause 6.8.1 of EN 60079-15: 2005. This must be taken into account when installing the apparatus.

### International Certifications

*IECEX*

#### E7 IECEx Flameproof

Certificate No: KEM 07.0038X

Ex de IIC or Ex de [ia] IIC T6

without LOI (-50 °C ≤ Ta ≤ +60 °C)

with LOI (-20°C ≤ Ta ≤ +60 °C)

V<sub>max</sub> = 250 V AC or 42 V DC

#### EF IECEx Flameproof

Certificate No: KEM 07.0038X

Ex de IIB or Ex de [ia] IIB T6

without LOI (-50 °C ≤ Ta ≤ +60 °C)

with LOI (-20°C ≤ Ta ≤ +60 °C)

V<sub>max</sub> = 250 V AC or 42 V DC

#### NF IECEx Dust

Certificate No.: KEM 07.0038X

Ex tD A20 IP66 T 100 °C

without LOI (-50 °C ≤ Ta ≤ +60 °C)

with LOI (-20°C ≤ Ta ≤ +60 °C)

V<sub>max</sub> = 250 V AC or 42 V DC

#### Special Conditions for Safe Use (KEM 07.0038X):

Contact Rosemount Inc. for information on the dimensions of the flameproof joints. The property class of the security screws which attach the flowtube or junction box to the transmitter is SST A2-70.

#### Installation Instructions:

The cable and conduit entry devices and blanking elements shall be of a certified flameproof or increased safety type, suitable for the conditions of use and correctly installed. With the use of conduit, a certified stopping box shall be provided immediately to the entrance of the enclosure.

Rosemount 8732

---

**N7 IECEx Type n**

Certificate No: IECEx BAS 07.0062X

Ex nA nL IIC T4

with FISCO / FNICO output

Ex nA nL [ia] IIC T4

without LOI (-50 °C ≤ Ta ≤ +60 °C)

with LOI (-20 °C ≤ Ta ≤ +60 °C)

V<sub>max</sub> = 42 V DC

**Special Conditions for Safe Use (x):**

The apparatus is not capable of withstanding the 500V insulation test required by Clause 6.8.1 of IEC 60079-15: 2005. This must be taken into account when installing the apparatus.

*NEPSI - China***E3 NEPSI Flameproof**

Certificate No: GYJ071438X

Ex de IIC or Ex de [ia] IIC T6

without LOI (-50 °C ≤ Ta ≤ +60 °C)

with LOI (-20 °C ≤ Ta ≤ +60 °C)

V<sub>max</sub> = 250 V AC or 42 V DC

**EP NEPSI Flameproof**

Certificate No: GYJ071438X

Ex de IIB or Ex de [ia] IIB T6

without LOI (-50 °C ≤ Ta ≤ +60 °C)

with LOI (-20 °C ≤ Ta ≤ +60 °C)

V<sub>max</sub> = 250 V AC or 42 V DC

*InMetro - Brazil***E2 InMetro Flameproof**

Certificate No: NCC 12.1177 X

Ex de IIC T6 Gb IP66 or

Ex de [ia IIC Ga] IIC T6 Gb IP66

without LOI (-50 °C ≤ Ta ≤ +60 °C)

with LOI (-20 °C ≤ Ta ≤ +60 °C)

V<sub>max</sub> = 250 V AC or 42 V DC

**EB InMetro Flameproof**

Certificate No: NCC 12.1177 X

Ex de IIB T6 Gb IP66 or

Ex de [ia IIC Ga] IIB T6 Gb IP66

without LOI (-50 °C ≤ Ta ≤ +60 °C)

with LOI (-20 °C ≤ Ta ≤ +60 °C)

V<sub>max</sub> = 250 V AC or 42 V DC



## Quick Installation Guide

00825-0100-4663, Rev BC  
December 2012

Rosemount 8732

---

*KOSHA - Korea*

### **E9 KOSHA Flameproof**

Certificate No: 2008-2094-Q1X  
Ex de IIC or Ex de [ia] IIC T6  
without LOI ( $-50\text{ °C} \leq T_a \leq +60\text{ °C}$ )  
with LOI ( $-20\text{ °C} \leq T_a \leq +60\text{ °C}$ )  
 $V_{\max} = 250\text{ V AC}$  or  $42\text{ V DC}$

### **EK KOSHA Flameproof**

Certificate No.: 2008-2094-Q1X  
Ex de IIB or Ex de [ia] IIB T6  
without LOI ( $-50\text{ °C} \leq T_a \leq +60\text{ °C}$ )  
with LOI ( $-20\text{ °C} \leq T_a \leq +60\text{ °C}$ )  
 $V_{\max} = 250\text{ V AC}$  or  $42\text{ V DC}$

*GOST - Russia*

### **E8 GOST Flameproof**

Ex de IIC T6 or Ex de [ia] IIC T6  
without LOI ( $-50\text{ °C} \leq T_a \leq +60\text{ °C}$ )  
with LOI ( $-20\text{ °C} \leq T_a \leq +60\text{ °C}$ )  
IP67

### **EM GOST Flameproof**

Ex de IIB T6 or Ex de [ia] IIB T6  
without LOI ( $-50\text{ °C} \leq T_a \leq +60\text{ °C}$ )  
with LOI ( $-20\text{ °C} \leq T_a \leq +60\text{ °C}$ )  
IP67

## Rosemount 8732

**Sensor Approval Information**Table 12. Sensor Option Codes<sup>(1)</sup>

Approval Codes	Rosemount 8705 Sensor		Rosemount 8707 Sensor		Rosemount 8711 Sensor		Rosemount 8721 Sensors
	For Non-flammable Fluids	For Flammable Fluids	For Non-flammable Fluids	For Flammable Fluids	For Non-flammable Fluids	For Flammable Fluids	For Non-flammable Fluids
NA	•						•
N0	•		•		•		
ND	•	•	•	•	•	•	•
N1	•	•			•	•	
N5	•	•	•	•	•	•	
N7	•	•			•	•	
NF	•	•			•	•	
E1	•	•			•	•	
E2	•	•			•	•	
E3	•	•			•	•	
E5 <sup>(2)</sup>	•	•			•	•	
E8	•	•			•	•	
E9	•	•			•	•	
EB	•	•			•	•	
EK	•	•			•	•	
EM	•	•			•	•	
EP	•	•			•	•	
KD	•	•			•	•	

(1) CE Marking is standard on Rosemount 8705, 8711, and 8721. No hazardous location certifications are available on the Rosemount 570TM.





(2) Available in line sizes up to 8 in. (200 mm) only.

**Quick Installation Guide**

00825-0100-4663, Rev BC  
December 2012

Rosemount 8732

Figure 24. Declaration of Conformity

					
<p><b>EC Declaration of Conformity</b> <b>No: RFD 1068 Rev. E</b></p>					
<p>We,</p> <p style="margin-left: 40px;"><b>Rosemount Inc.</b> 12001 Technology Drive Eden Prairie, MN 55344-3695 USA</p>					
<p>declare under our sole responsibility that the product(s),</p> <p style="text-align: center;"><b>Model 8732E Magnetic Flowmeter Transmitter</b></p> <p>manufactured by,</p>					
<table style="width: 100%; border: none;"> <tr> <td style="width: 45%; border: none;"> <p><b>Rosemount Inc.</b> 12001 Technology Drive Eden Prairie, MN 55344-3695 USA</p> </td> <td style="width: 10%; text-align: center; border: none;"> <p><i>and</i></p> </td> <td style="width: 45%; border: none;"> <p>8200 Market Boulevard Chanhassen, MN 55317-9687 USA</p> </td> </tr> </table>			<p><b>Rosemount Inc.</b> 12001 Technology Drive Eden Prairie, MN 55344-3695 USA</p>	<p><i>and</i></p>	<p>8200 Market Boulevard Chanhassen, MN 55317-9687 USA</p>
<p><b>Rosemount Inc.</b> 12001 Technology Drive Eden Prairie, MN 55344-3695 USA</p>	<p><i>and</i></p>	<p>8200 Market Boulevard Chanhassen, MN 55317-9687 USA</p>			
<p>to which this declaration relates, is in conformity with the provisions of the European Community Directives, including the latest amendments, as shown in the attached schedule.</p> <p>Assumption of conformity is based on the application of harmonized or applicable technical standards and, when applicable or required, a European Community notified body certification, as shown in the attached schedule.</p>					
<div style="display: flex; justify-content: space-around; align-items: flex-end;"> <div style="text-align: center;"> <p>_____ <b>January 21, 2010</b> (date of issue)</p> </div> <div style="text-align: center;"> <p> _____ (signature)</p> <p><b>Mark J Fleigle</b> _____ (name - printed)</p> <p><b>Vice President Technology and New Products</b> _____ (function name - printed)</p> </div> </div>					
FILE ID: 8732E CE Marking	Page 1 of 3	8732E_RFD1068E.DOC			



**Schedule**

**EC Declaration of Conformity RFD 1068 Rev. E**

**EMC Directive (2004/108/EC)**

**All Models**

EN 61326-1: 2006

**LVD Directive (2006/95/EC)**

**All Models**

EN 61010-1: 2001

**ATEX Directive (94/9/EC)**

**Model 8732E Magnetic Flowmeter Transmitter**

**KEMA 07ATEX0073 X – Flameproof, with Increased Safety Terminal(s),  
Intrinsically Safe Output(s), Dust**

Equipment Group II, Category 2 G:

Ex d IIB/IIC T6

Ex de IIB/IIC T6

Ex e IIB/IIC (Junctionbox)

Equipment Group II, Category 2 (1) G:

Ex de [ia] IIB/IIC T6 (Transmitter)

Equipment Group II, Category (1) G

[Ex ia] IIC

Equipment Group II, Category 1 D:

Ex tD A20 IP66 T100 °C

EN 60079-0: 2006

EN 60079-1: 2007

EN 60079-7: 2007

EN 60079-11: 2007

EN 60079-26: 2004

EN 60079-27: 2006

EN 61241-0: 2006

EN 61241-1: 2004



### Schedule

#### EC Declaration of Conformity RFD 1068 Rev. E

##### BASEEF07ATEX0203X – Type n, Intrinsically Safe Output

Equipment Group II, Category 3 G  
Ex nA nL IIC T4

Equipment Group II, Category 3(1) G  
Ex nA nL [ia] IIC T4

EN 60079-0: 2006  
EN 60079-15: 2005  
EN 60079-11: 2007

##### ATEX Notified Bodies for EC Type Examination Certificate

**KEMA** [Notified Body Number: 0344]  
Utrechtseweg 310, 6812 AR Arnhem  
P.O. Box 5185, 6802 ED Arnhem  
The Netherlands  
Postbank 6794687

**Baseefa** [Notified Body Number: 1180]  
Rockhead Business Park, Staden Lane  
Buxton, Derbyshire SK17 9RZ  
United Kingdom

##### ATEX Notified Body for Quality Assurance

**Det Norske Veritas (DNV)** [Notified Body Number: 0575]  
Veritasveien 1, N-1322  
Hovik, Norway

