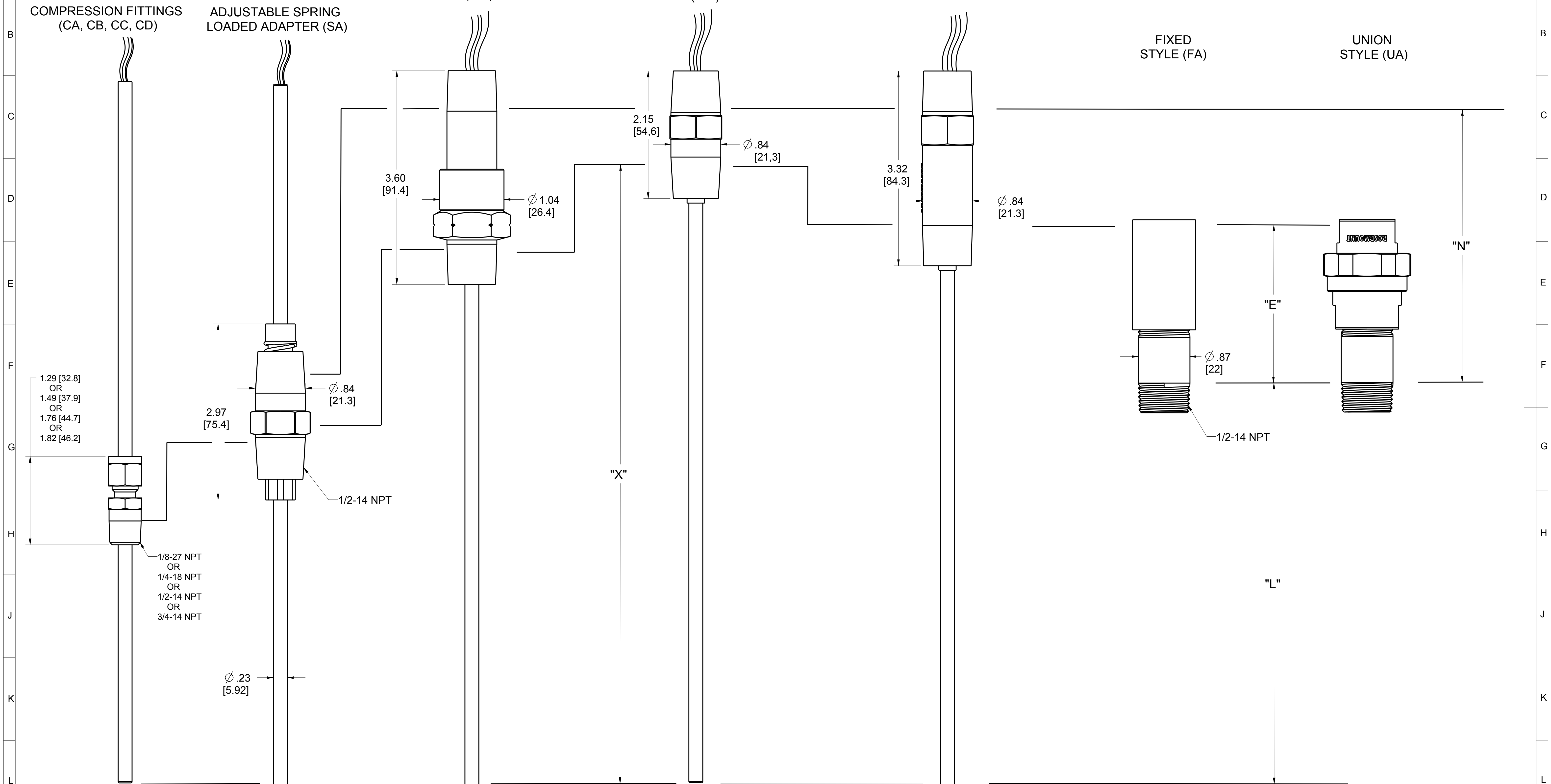


# ROSEMOUNT 214C TEMPERATURE SENSOR MOUNTING STYLES AND EXTENSIONS

REVISION TABLE			
REVISION	ECO NO.	APP'D	DATE
AD	RTC1068820	N. LOYA	8/15/17
DESCRIPTION			
ADD HOUSING			



SCALE 5/4

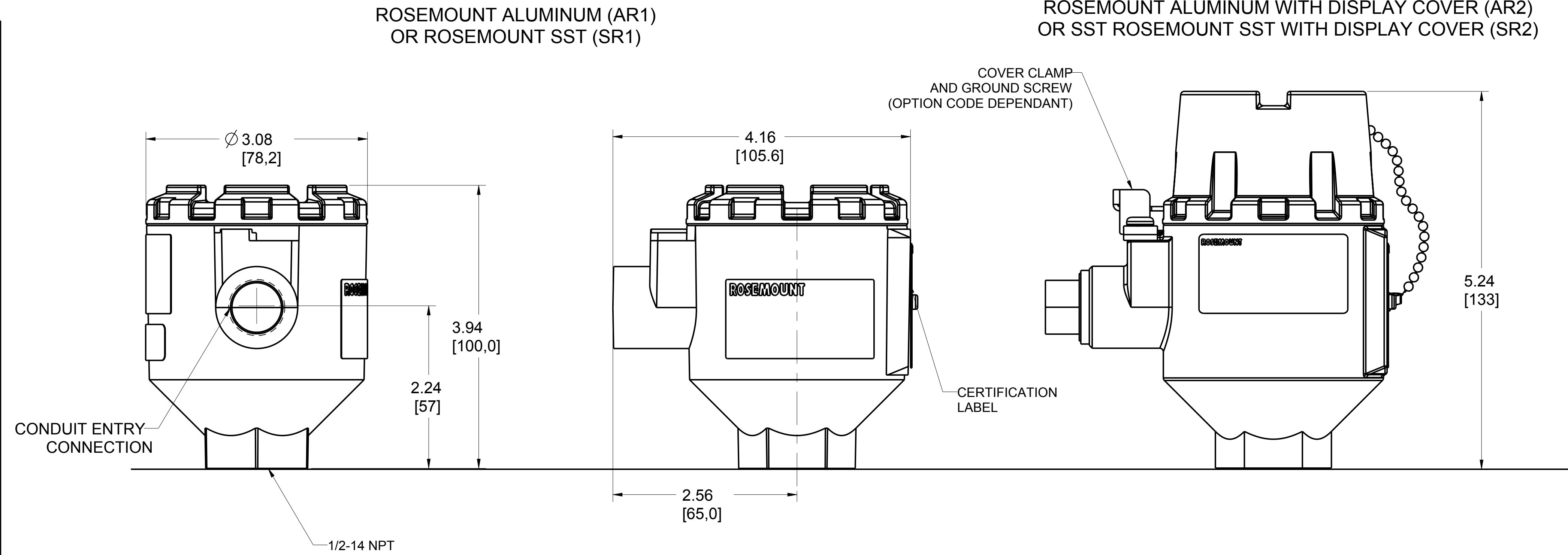
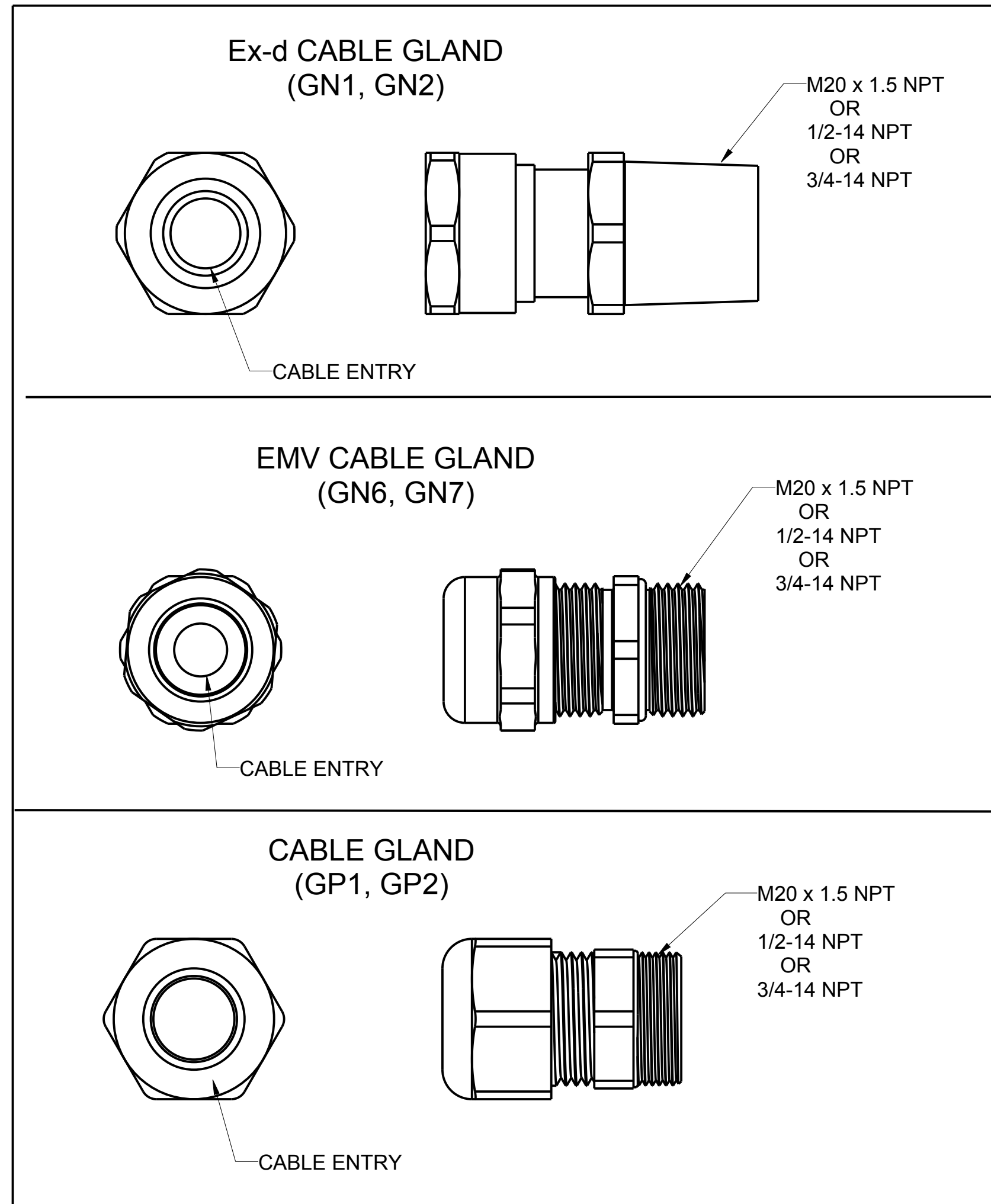
NOTES:  
 1. .75 [19] CLEARANCE REQUIRED TO REMOVE COVERS.

©2015 ROSEMOUNT INC.  
 ROSEMOUNT INC. CERTIFIES THIS DOCUMENT IS IN ACCORDANCE WITH ROSEMOUNT ENGINEERING SPECIFICATIONS.  
 UNIT NOTES IN INCHES (mm).  
 REFERENCE ROSEMOUNT PRODUCT SPECIFICATIONS.  
 CLICK HERE

DR. J. ARMSTRONG 6/25/15 DRAWING NO. 00214-7000  
 APP'D O. GHAZI 12/02/15  
 CAD MAINTAINED, (PROE) SHEET 1 OF 3

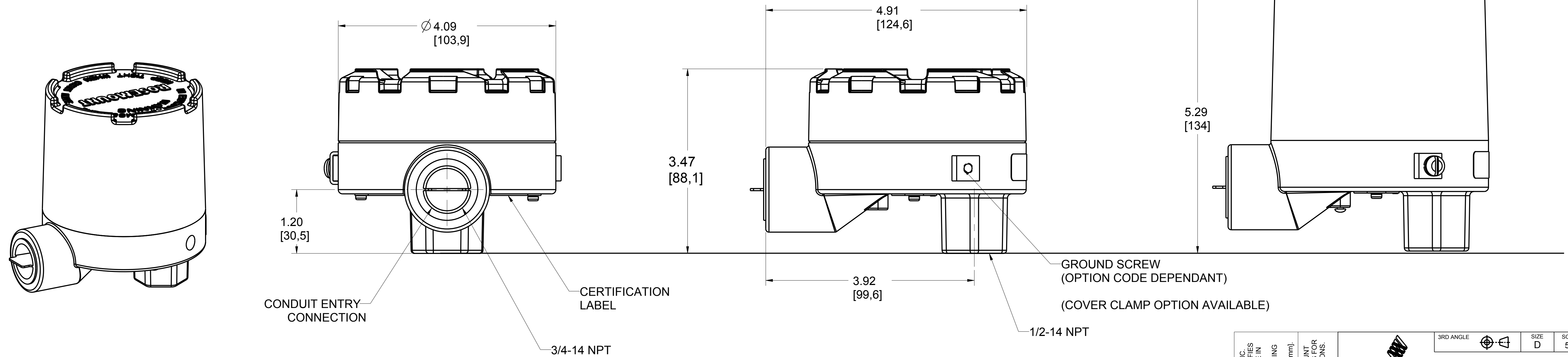
EMERSON  
 ROSEMOUNT 214C  
 TYPE I DRAWING

# ROSEMOUNT 214C SENSOR CONNECTION HEADS



**ALUMINUM CONNECTION HEAD WITH TERMINAL STRIP (AT1)**

**ALUMINUM CONNECTION HEAD WITH TERMINAL STRIP AND EXTENDED COVER (AT3)**



©2015 ROSEMOUNT INC. ROSEMOUNT INC. CERTIFIES THIS PRODUCT TO THE REQUIREMENTS OF THE STANDARD IN ACCORDANCE WITH ROSEMOUNT ENGINEERING SPECIFICATIONS. UNIT NOTES IN INCHES (mm). REFER TO ROSEMOUNT PRODUCT SPECIFICATIONS FOR PRODUCT SPECIFICATIONS. CLICK HERE

**EMERSON**

TITLE: **ROSEMOUNT 214C TYPE I DRAWING**

DR. J. ARMSTRONG	6/25/15	DRAWING NO.	00214-7000
APPD O. GHAZI	12/02/15		
CAD MAINTAINED, (PROE)		SHEET 2 OF 3	

3RD ANGLE

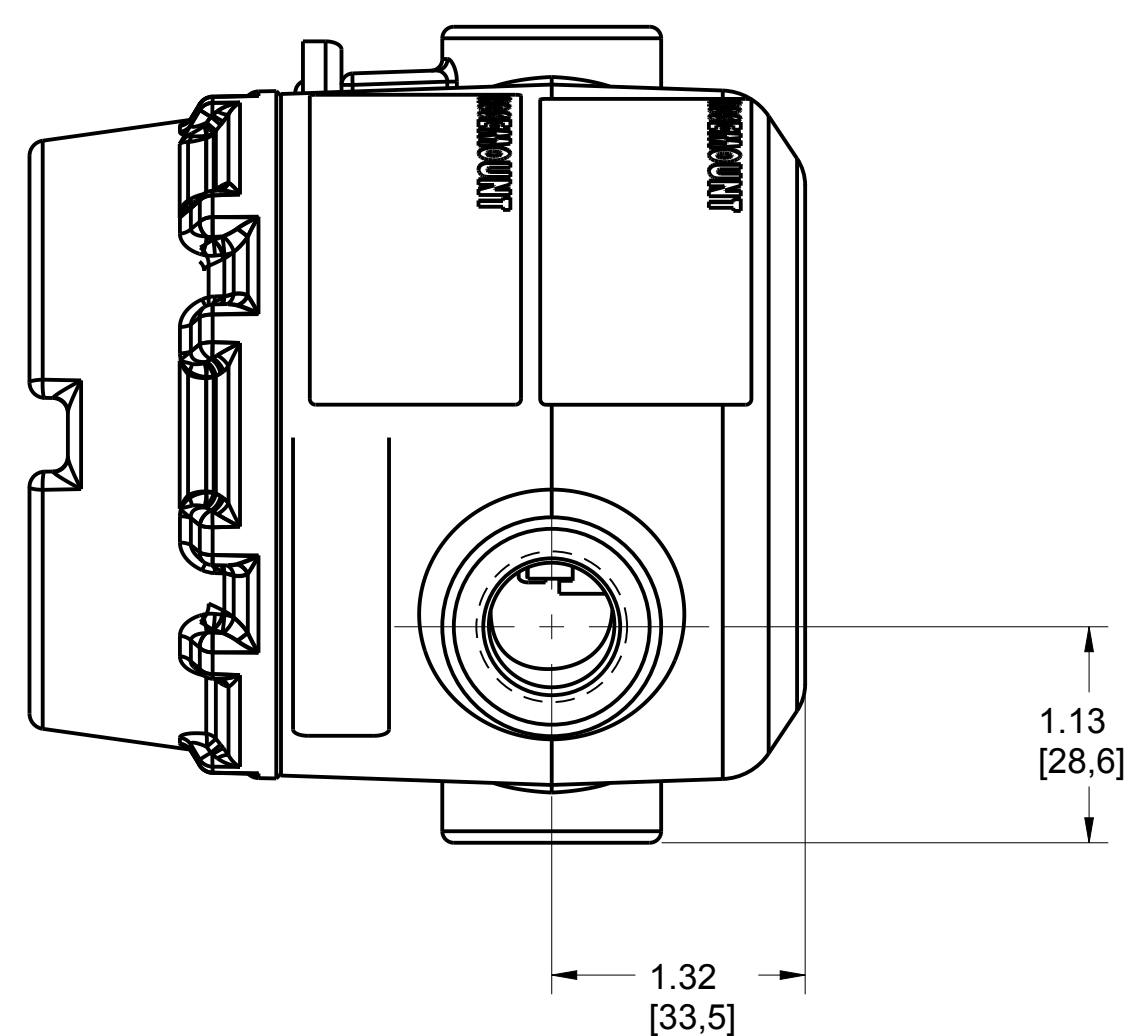
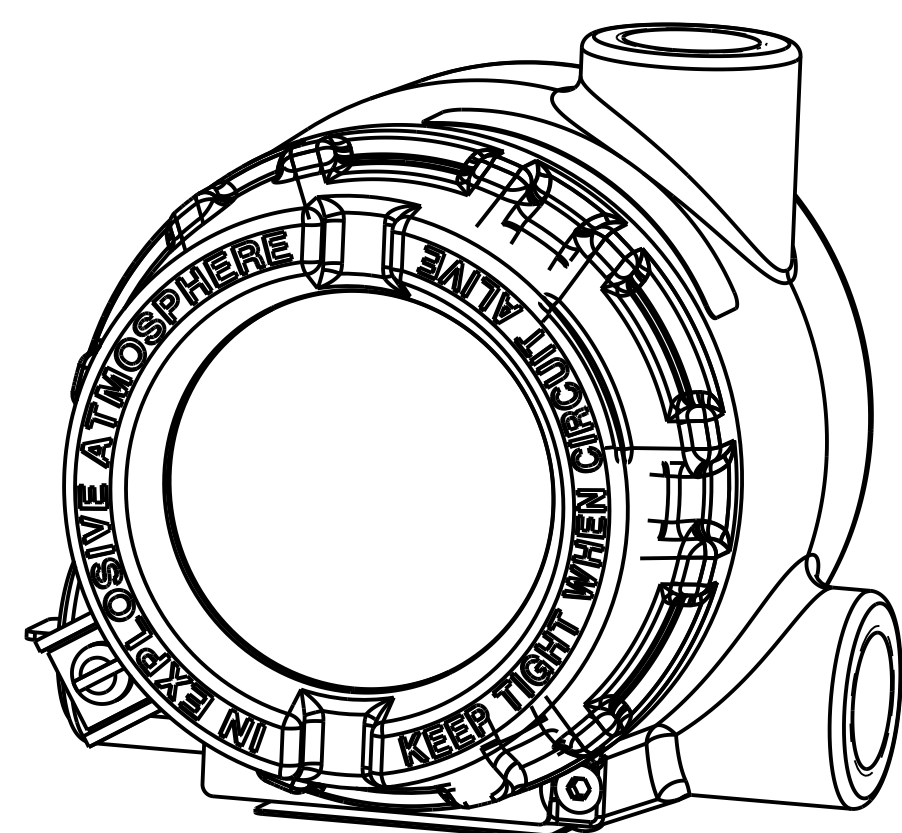
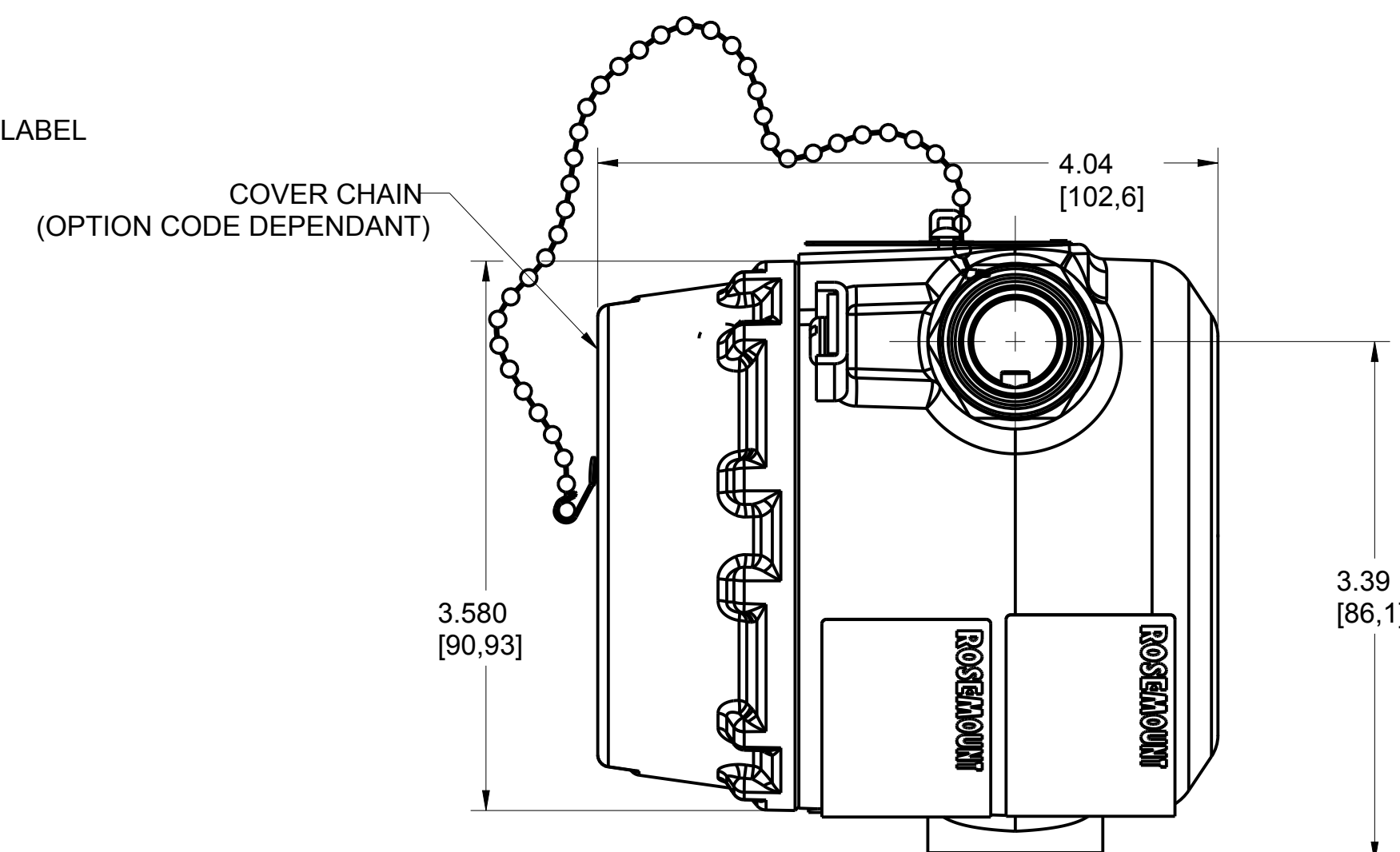
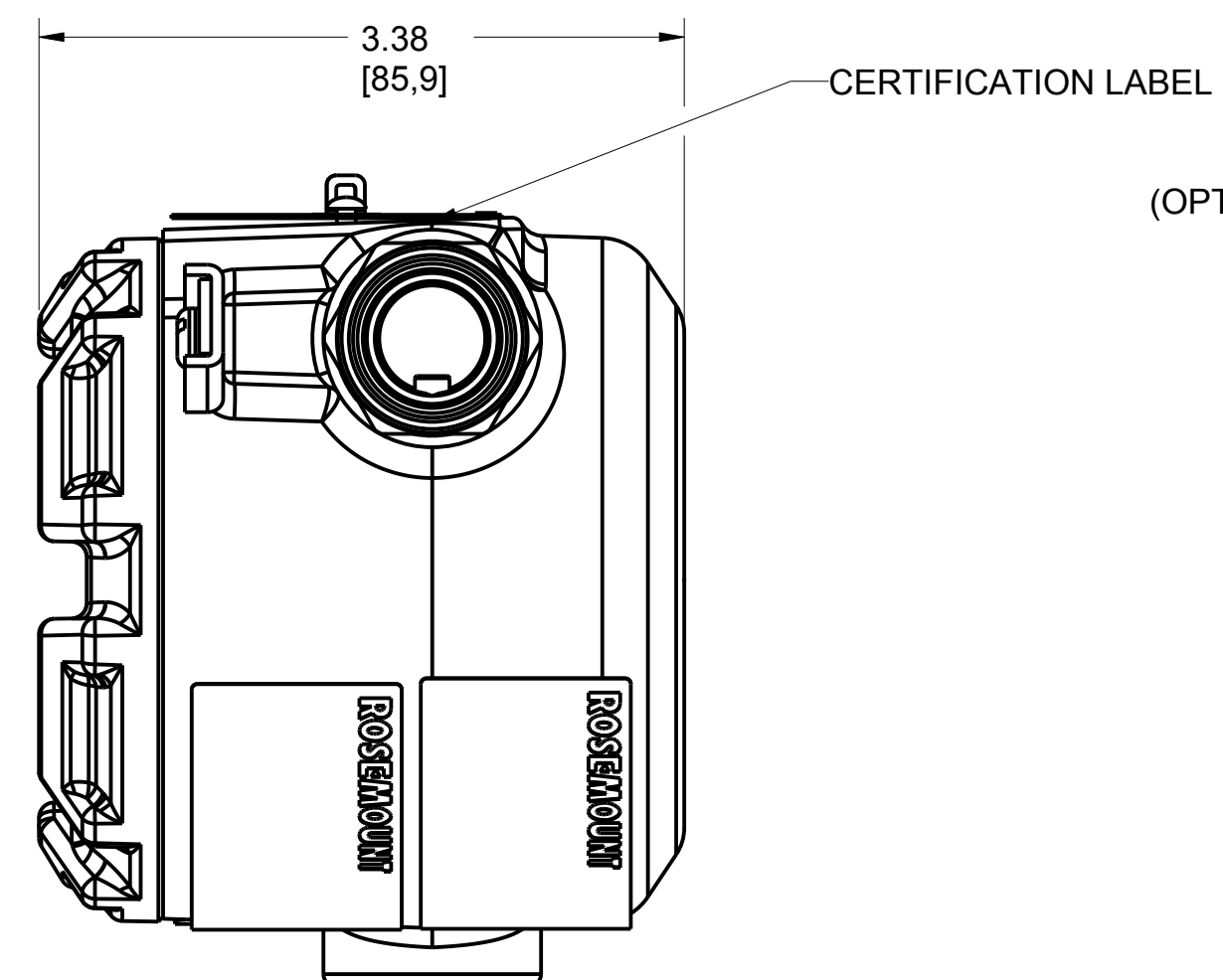
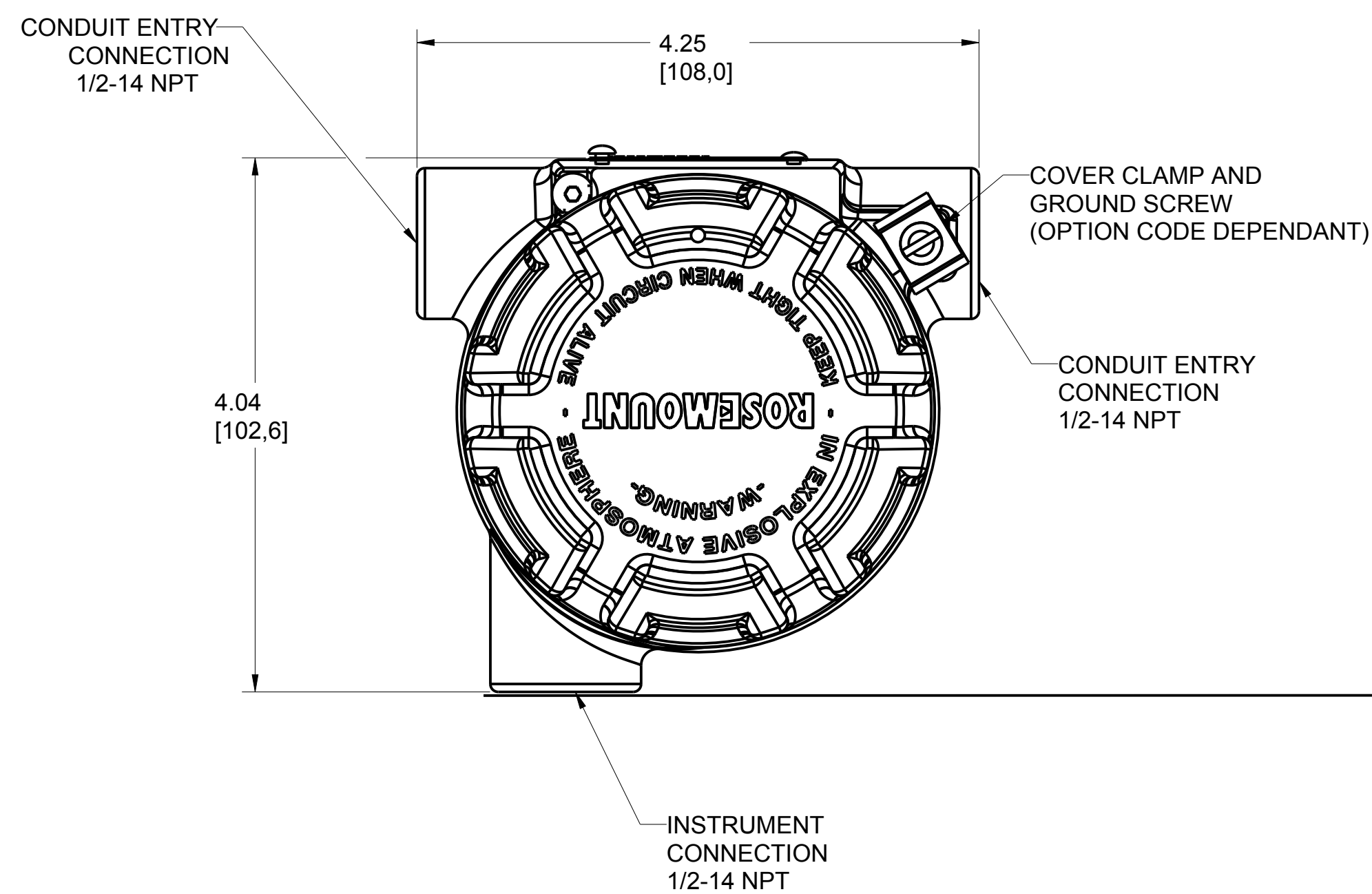
SIZE D

SCALE 5/4

# ROSEMOUNT 214C SENSOR CONNECTION HEADS

## 3 ENTRY UNIVERSAL JUNCTION BOX ALUMINUM (AJ1)

## 3 ENTRY UNIVERSAL JUNCTION BOX WITH DISPLAY COVER ALUMINUM (AJ2)



©2015 ROSEMOUNT INC. ROSEMOUNT INC. CERTIFIES THIS DRAWING TO THE REQUIREMENTS OF THE STANDARD IN ACCORDANCE WITH ROSEMOUNT ENGINEERING SPECIFICATIONS. UNIT NOTES IN INCHES (mm). REFERENCE ROSEMOUNT PRODUCT SPECIFICATIONS. CLICK HERE	3RD ANGLE	SIZE D	SCALE NTS
	TITLE <b>ROSEMOUNT 214C TYPE I DRAWING</b>		
	DR. J. ARMSTRONG APP'D O. GHAZI	6/25/15 12/02/15	DRAWING NO. <b>00214-7000</b>