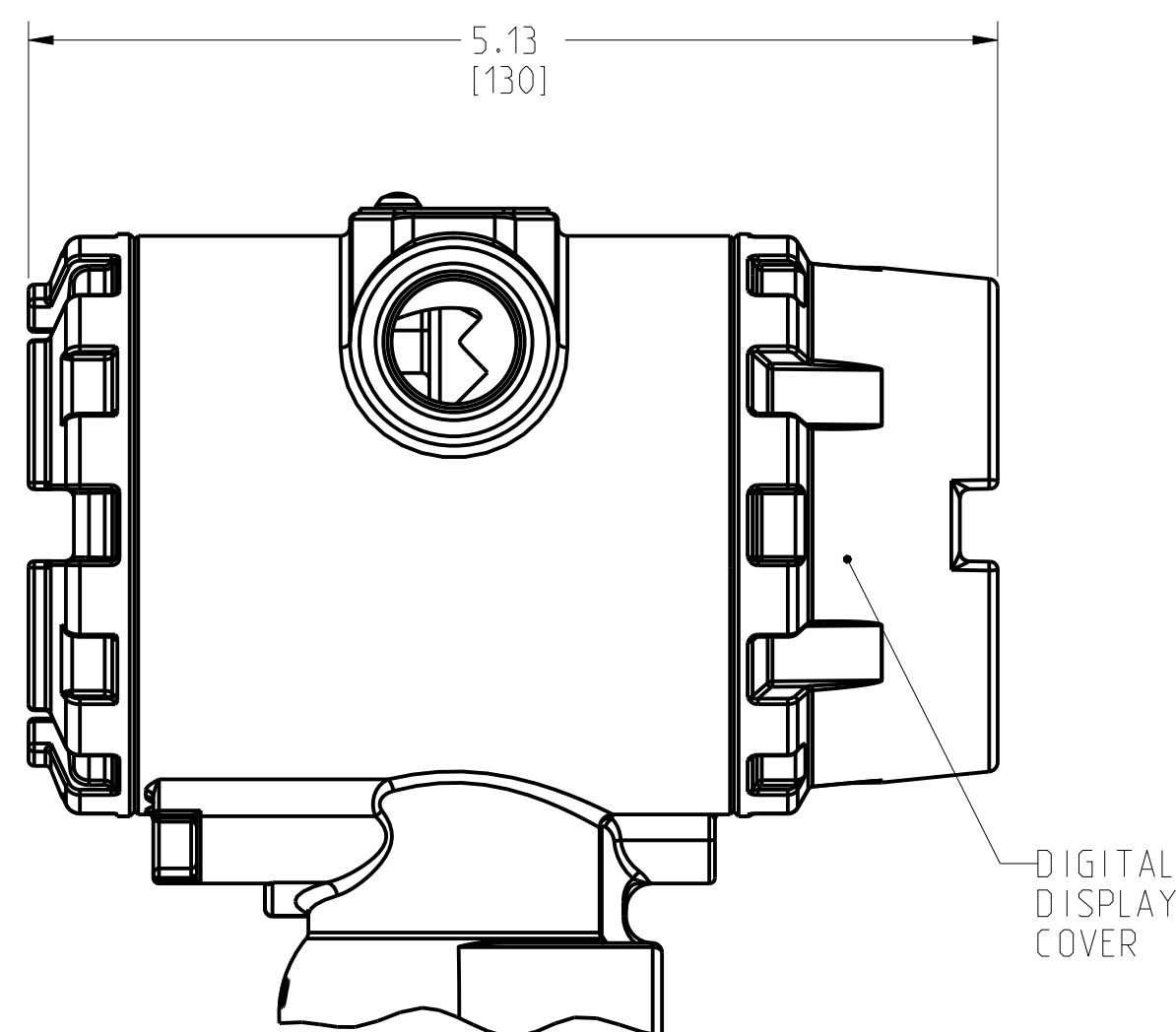


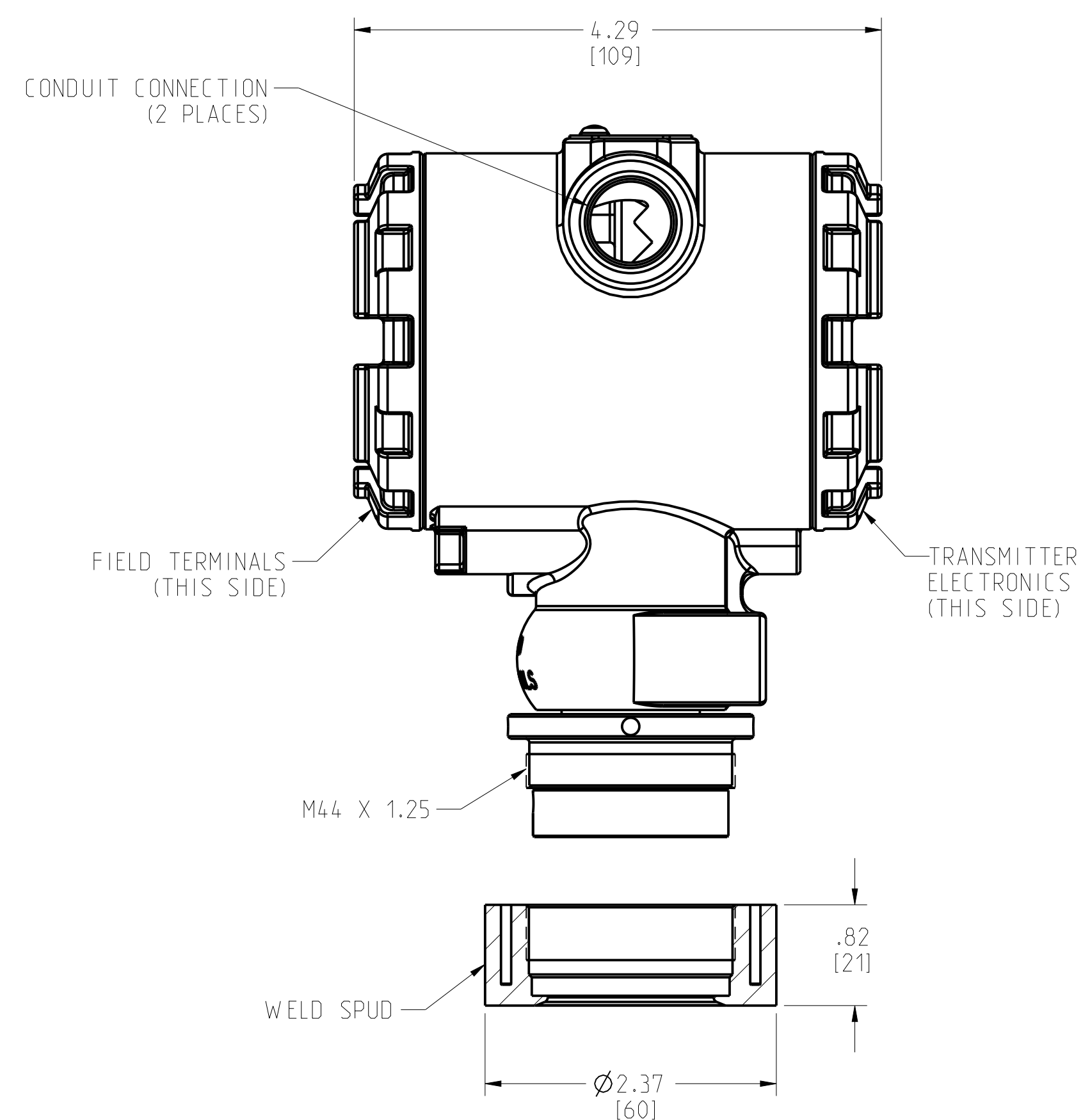
ROSEMOUNT 2090P PULP AND PAPER PRESSURE TRANSMITTER 1 1/2 IN. FLUSH MOUNT PROCESS CONNECTION

REVISION TABLE			
REVISION	ECD NO.	APP'D	DATE
AD	RTC1055957	FL	1/12/13
DESCRIPTION			
UPDATE VIEWS AND ADD MOUNTING BRACKET			

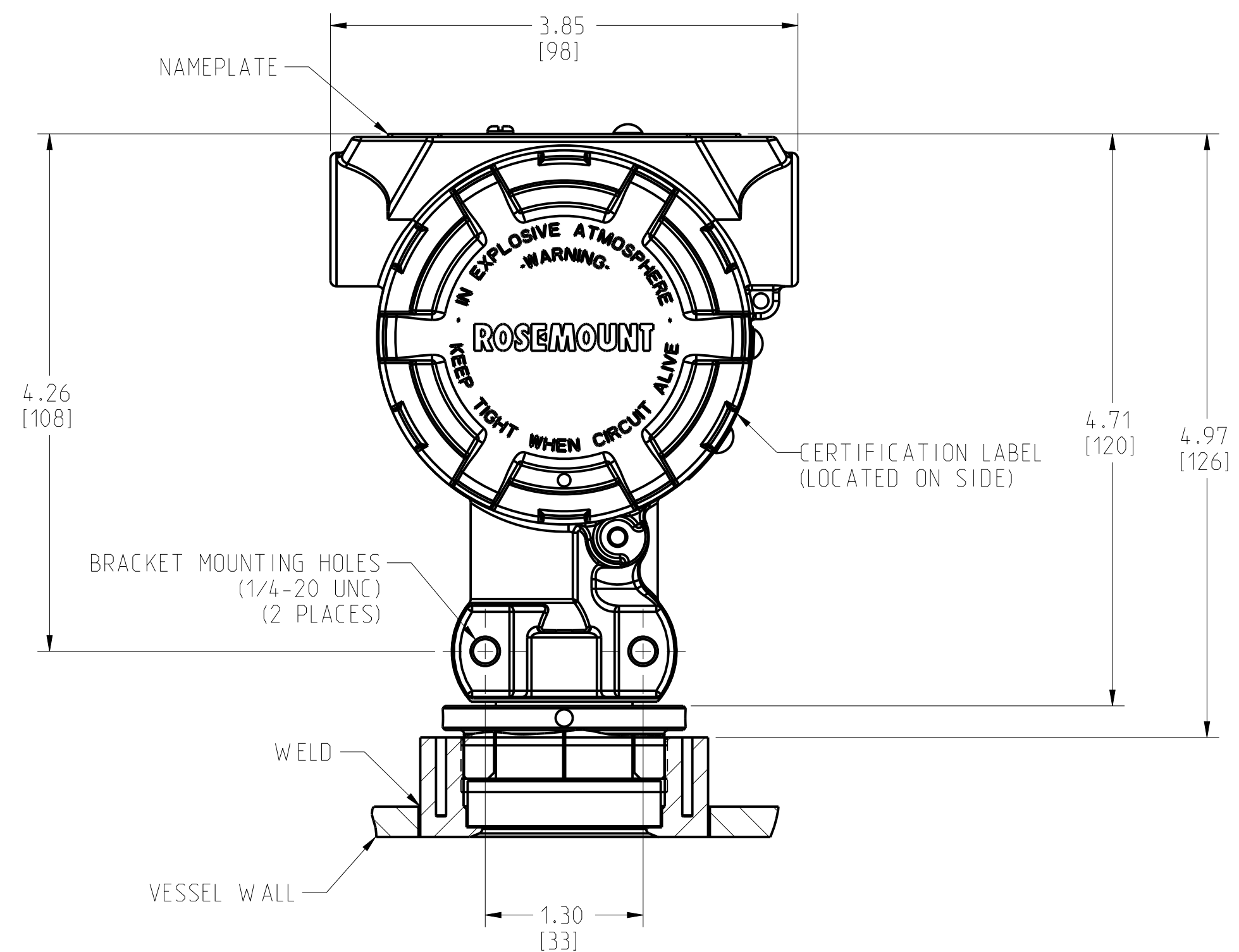
SHOWN WITH OPTIONAL DIGITAL DISPLAY



SHOWN WITH OPTIONAL WELD SPUD



SHOWN WITH OPTIONAL WELD CONFIGURATION



2. .75 [19] CLEARANCE REQUIRED TO REMOVE COVERS

1. ROSEMOUNT INC. CERTIFIES THESE DRAWINGS ARE IN ACCORDANCE WITH ROSEMOUNT ENGINEERING SPECIFICATIONS AND ACCURATELY REPRESENT THE EQUIPMENT FURNISHED.

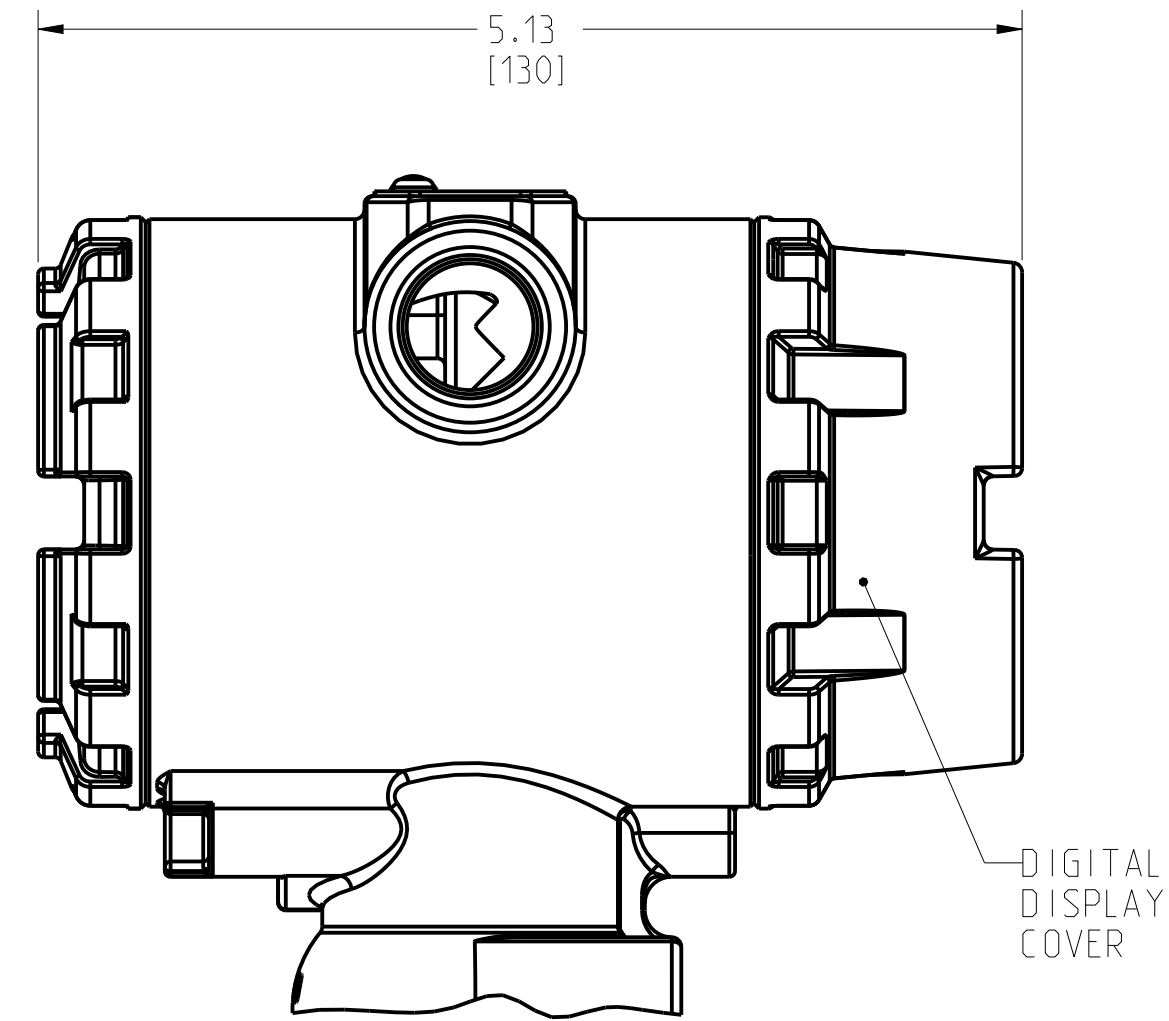
NOTES:

<small>UNLESS OTHERWISE SPECIFIED CONNECTIONS AND DIMENSIONS INFORMATION IS CONTAINED HEREIN AND MUST BE HANDLED ACCORDING TO EMERSON</small>	CUSTOMER	3RD ANGLE	SIZE	SCALE	REV
	CUSTOMER DWG NO.		D	1/1	AD
	P.O. No.	...	EMERSON ROSEMOUNT®		
	S.O. No.	...	TITLE ROSEMOUNT 2090P PULP AND PAPER PRESSURE TRANSMITTER		
PROJECT NAME	DR. NV-LRB 10/26/10	DRAWING NO.	02088-1031		
APP'D	FL 1/12/13	...	02088-1031		
DO NOT SCALE PRINT CAD MAINTAINED. (PRO/E) PRODUCT CODE - DOC TYPE - SHEET 1 OF 3					

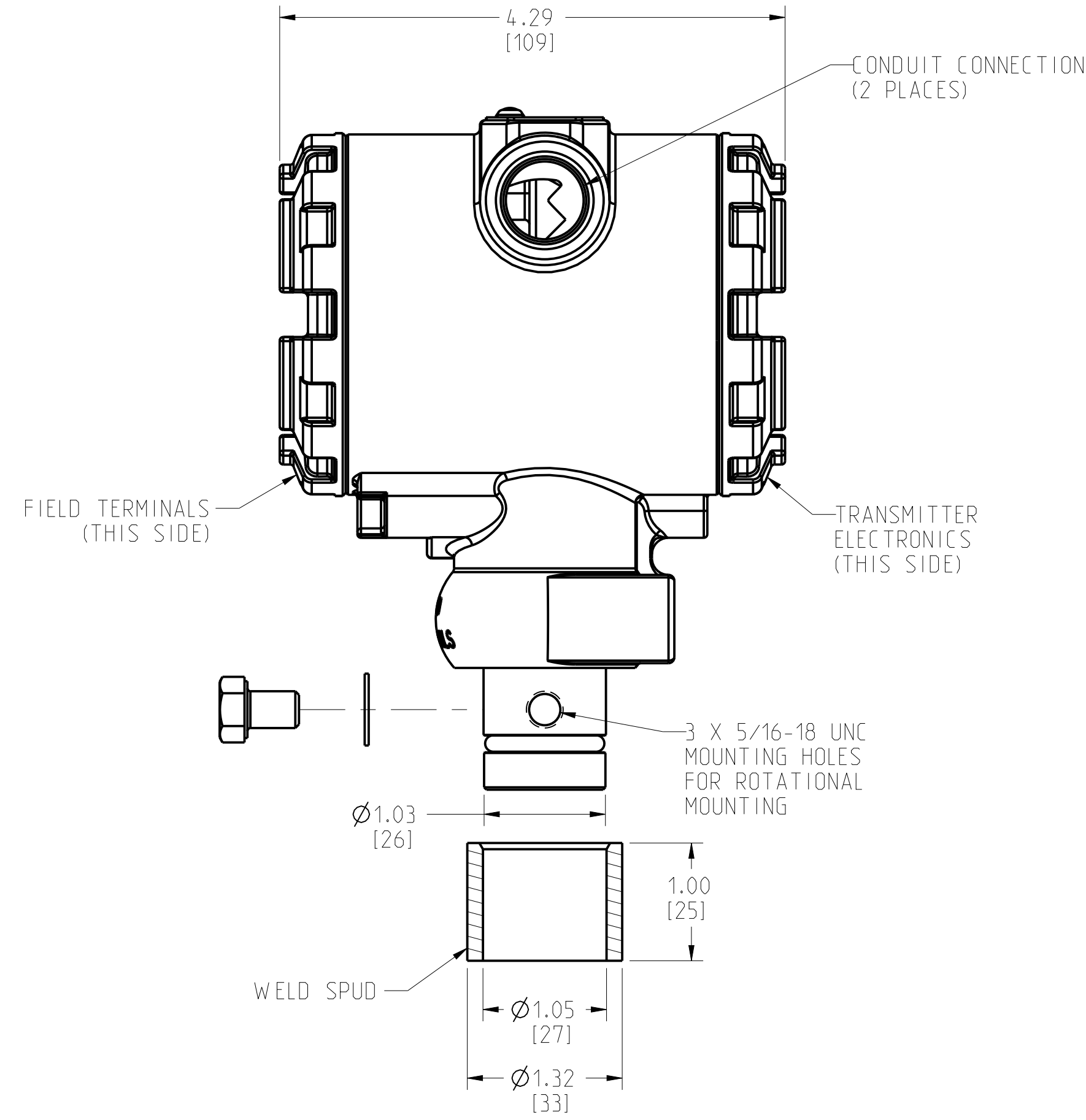
DRAWING NO. 02088-1031 TAG NO. CAL.

ROSEMOUNT 2090P PULP AND PAPER PRESSURE TRANSMITTER
1 IN. FLUSH MOUNT PROCESS CONNECTION

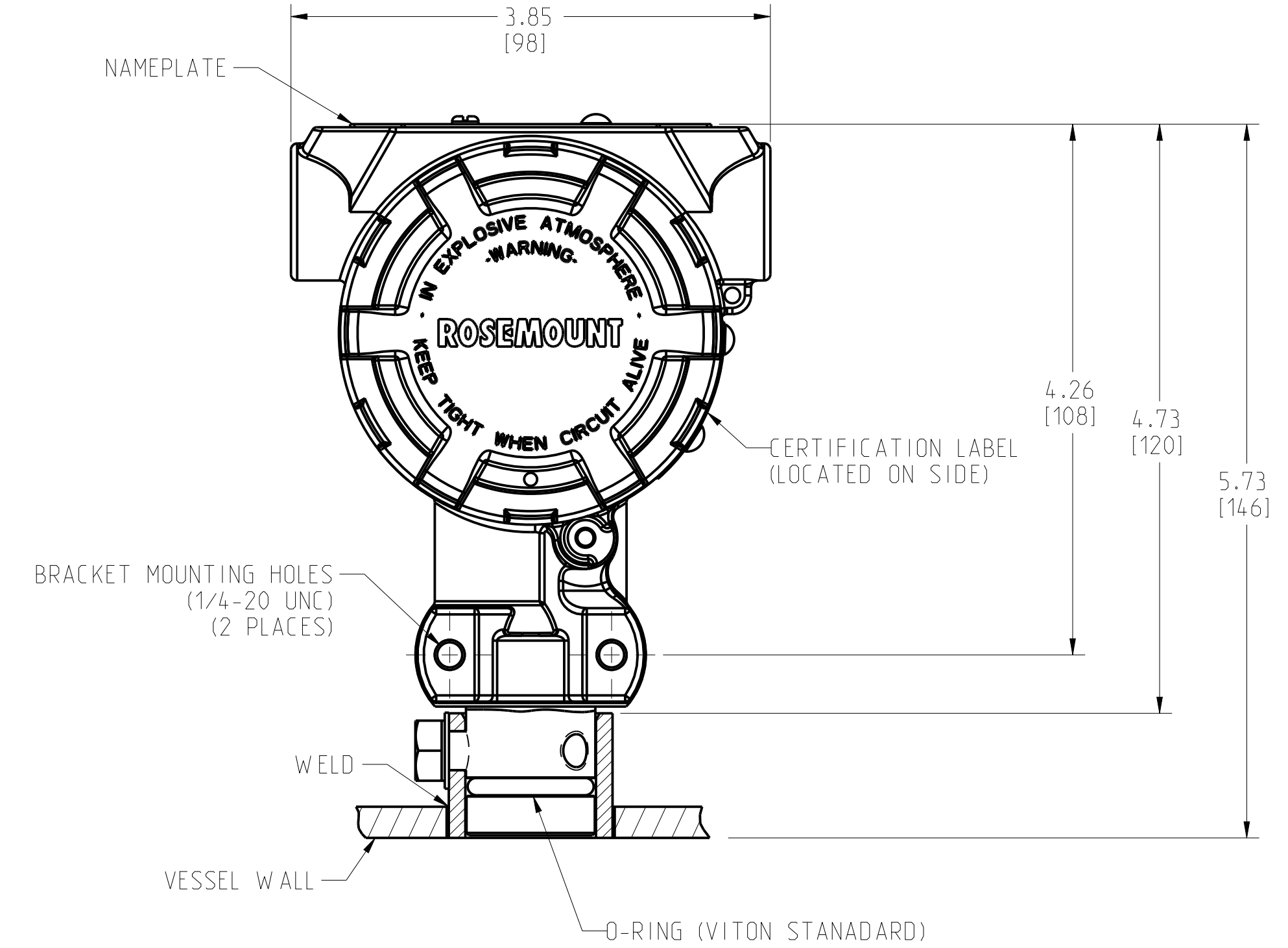
SHOWN WITH OPTIONAL DIGITAL DISPLAY



SHOWN WITH OPTIONAL WELD SPUD



SHOWN WITH OPTIONAL WELD CONFIGURATION

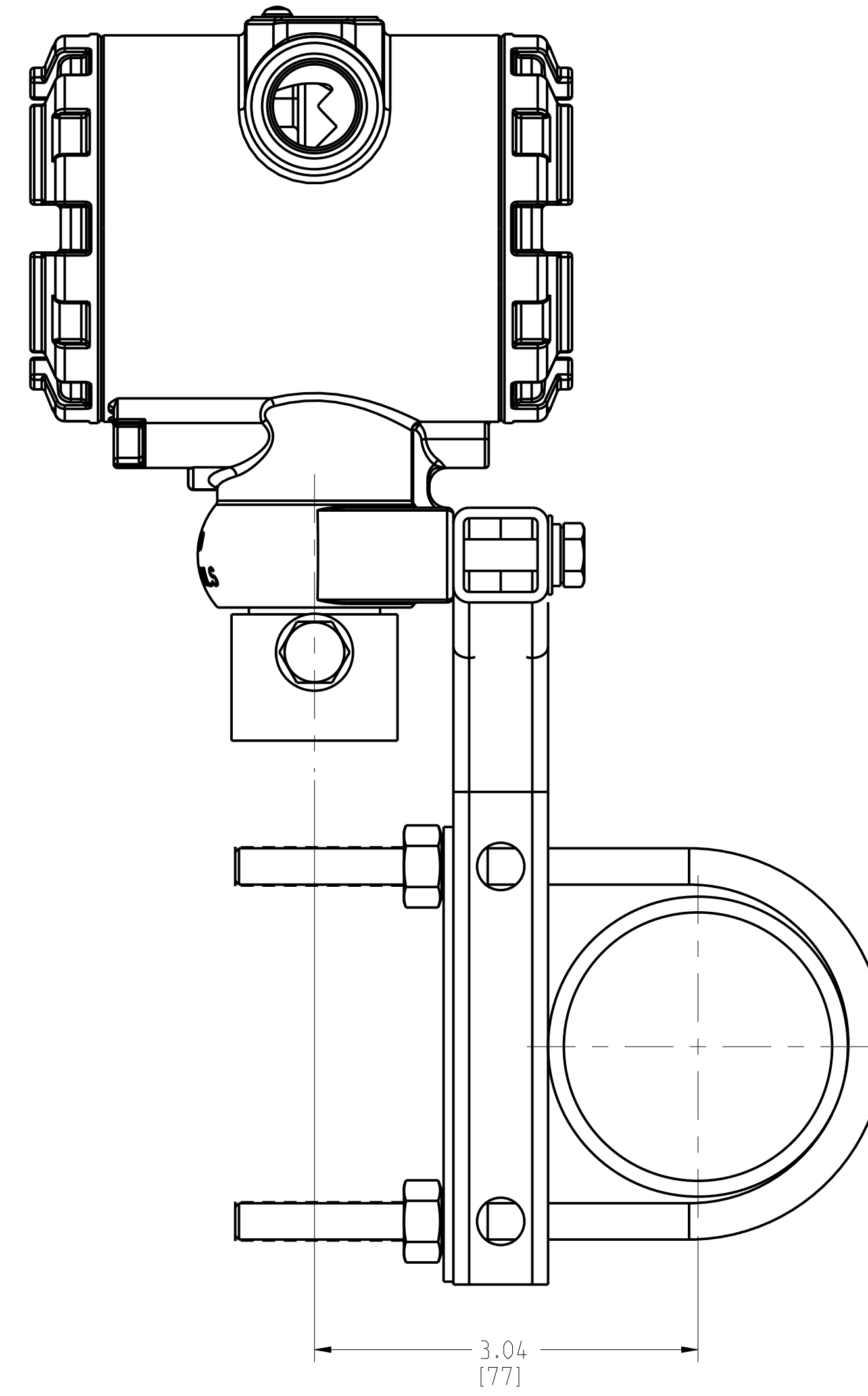
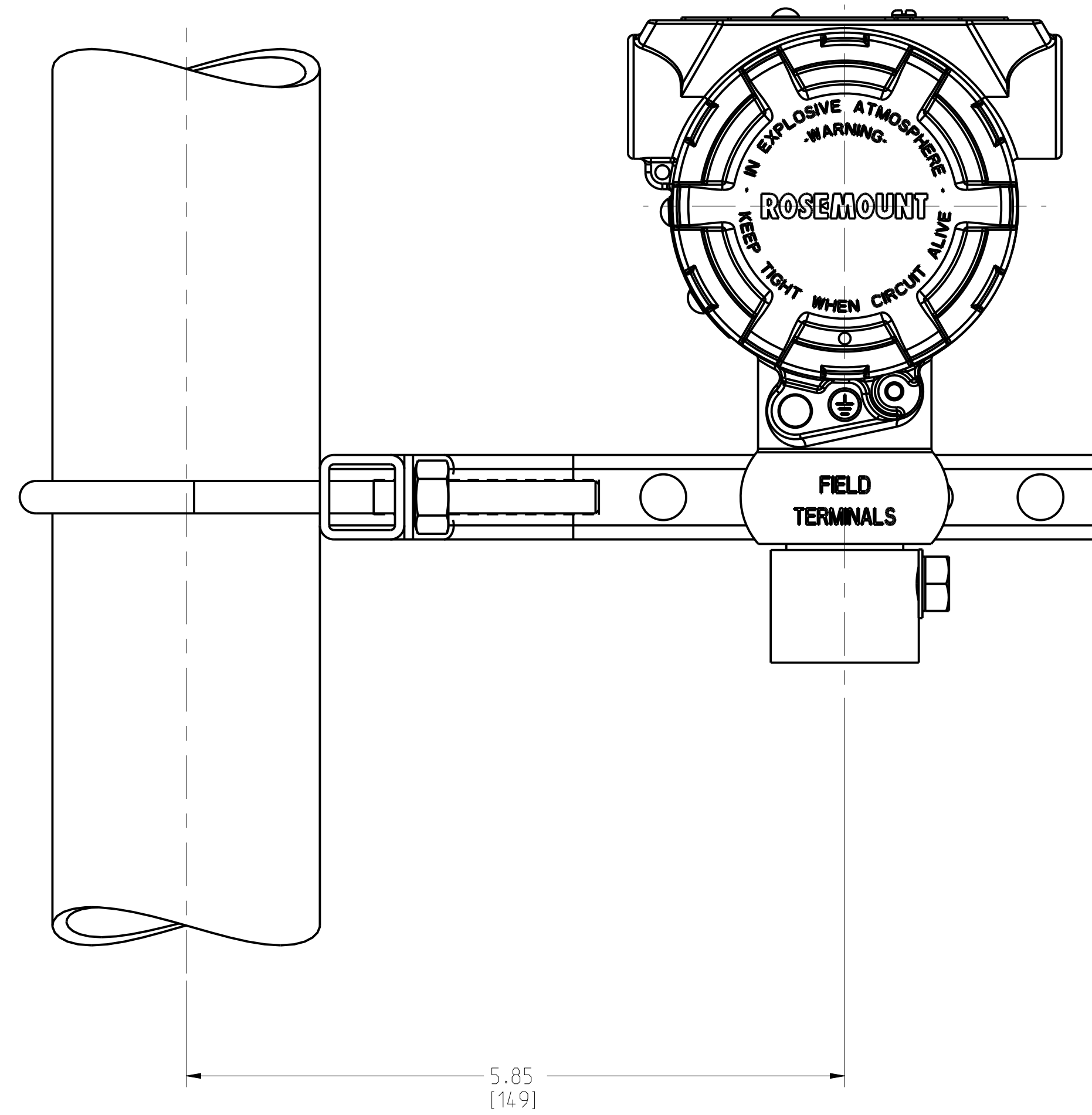


<small>UNLESS OTHERWISE SPECIFIED CONNECTIONS AND PRESSURE RATING INFORMATION IS CONTAINED HEREIN AND MUST BE HANDLED ACCORDINGLY. EMERSON</small>	CUSTOMER	3RD ANGLE	SIZE	SCALE	REV
	CUSTOMER DWG NO.		D	1/1	AD
	P.O. No.	...	EMERSON Process Management		
	S.O. No.	...	ROSEMOUNT® TITLE ROSEMOUNT 2090P PULP AND PAPER PRESSURE TRANSMITTER		
PROJECT NAME	DR. NV-LRB 10/26/10	DRAWING NO.	02088-1031		
APP'D	FL 1/12/13		02088-1031		
DO NOT SCALE PRINT		CAD MAINTAINED. (PRO/E)	PRODUCT CODE	-	DOC TYPE - SHEET 2 OF 3

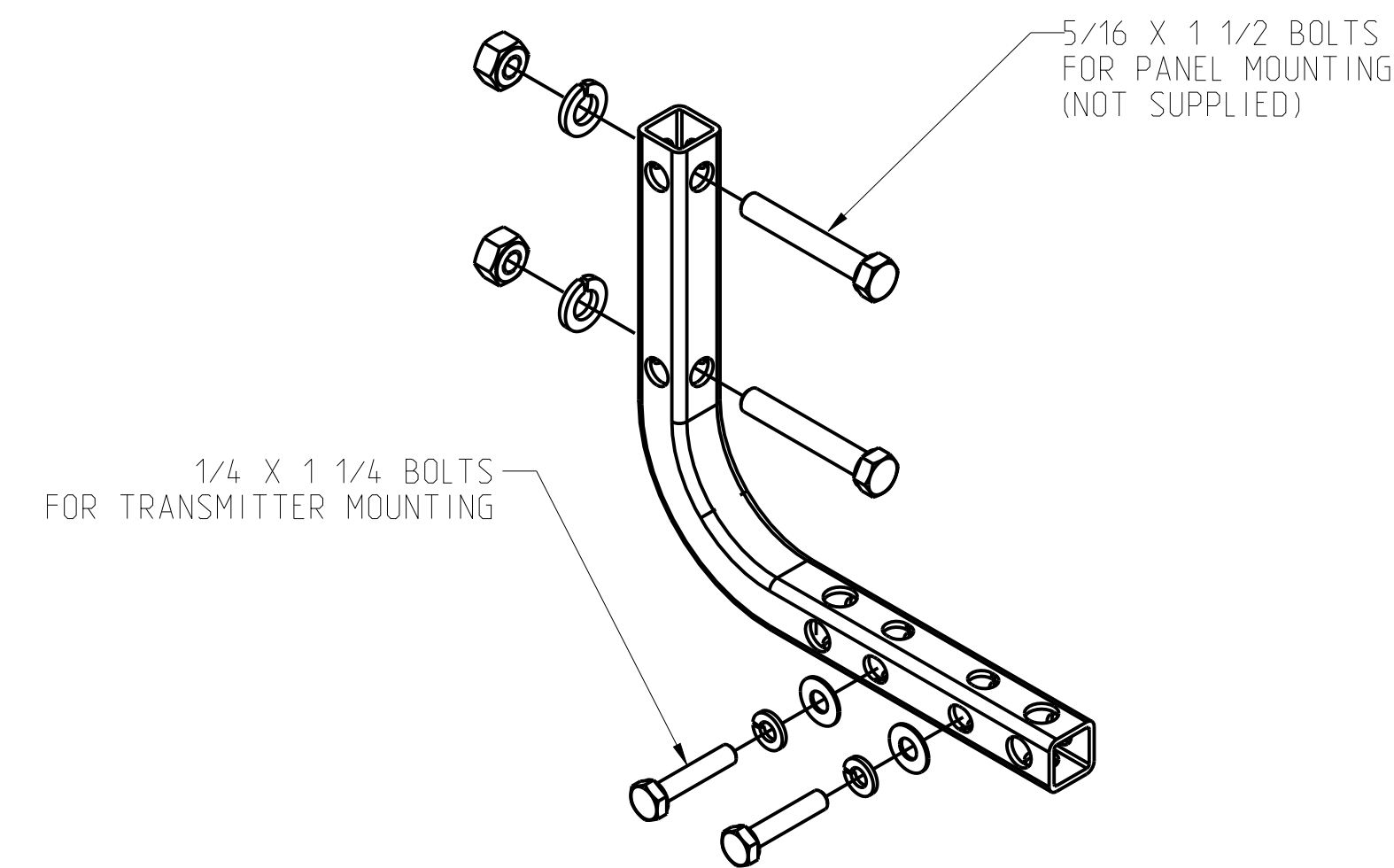
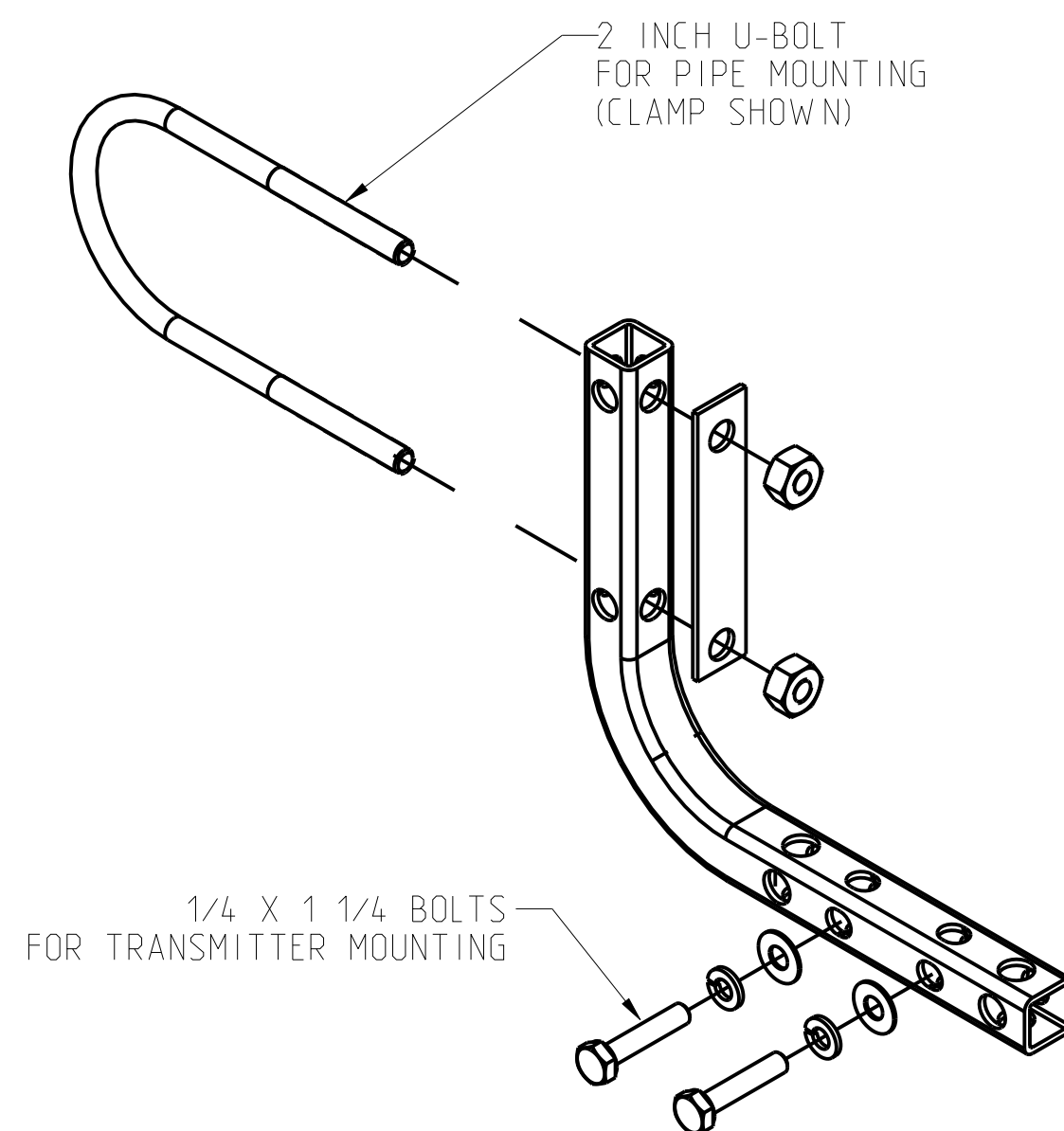
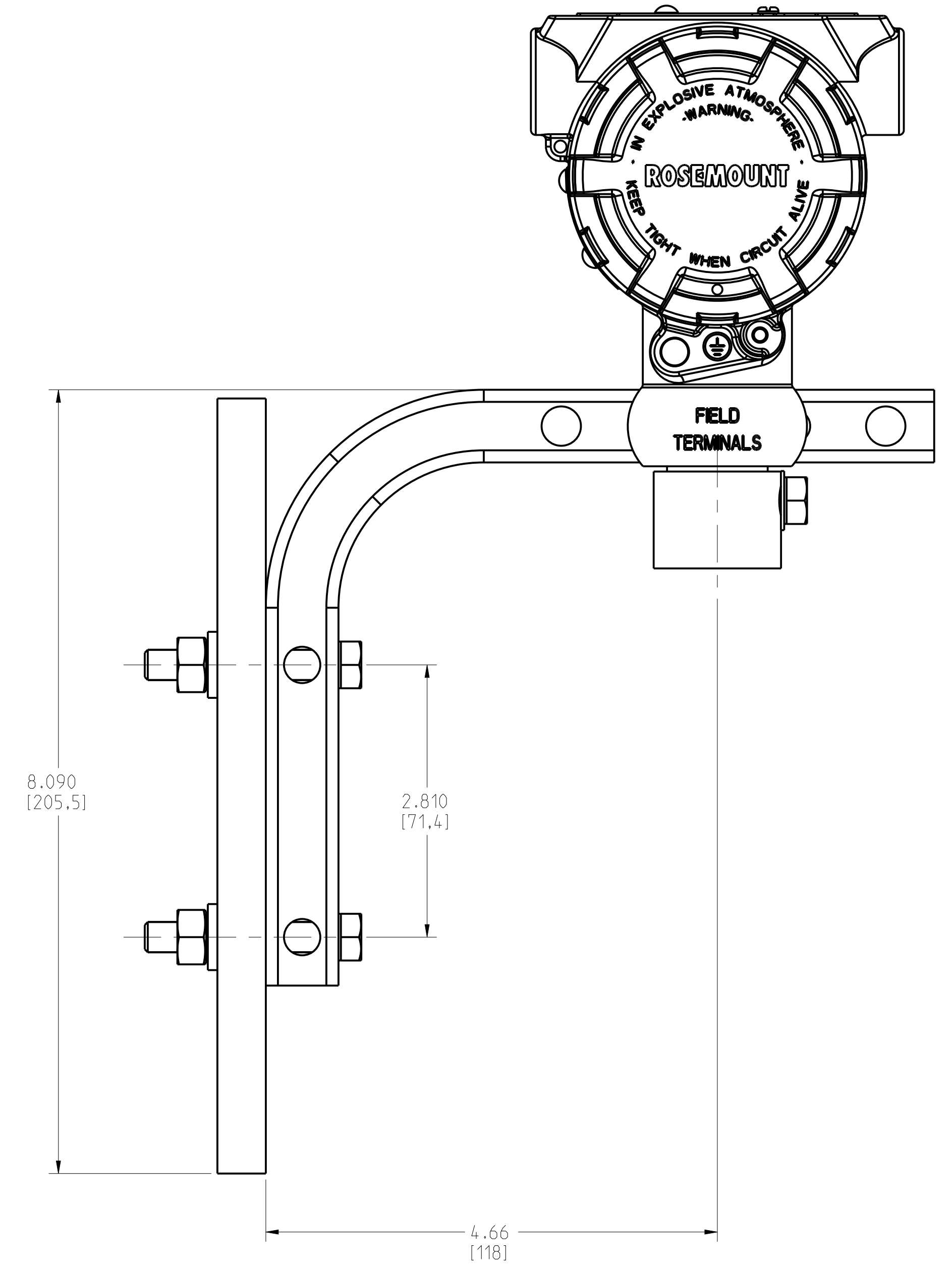
TAG NO. 02088-1031
 DRAWING NO.

ROSEMOUNT 2090P PULP AND PAPER PRESSURE TRANSMITTER
MOUNTING CONFIGURATIONS WITH OPTIONAL MOUNTING BRACKET

PIPE MOUNTING



PANEL MOUNTING



1/4 X 1 1/4 BOLTS FOR TRANSMITTER MOUNTING

1/4 X 1 1/4 BOLTS FOR TRANSMITTER MOUNTING

<small>UNLESS OTHERWISE SPECIFIED CONNECTIONS AND DIMENSIONS INFORMATION IS CONTAINED HEREIN AND MUST BE HANDLED ACCORDINGLY. EMERSON</small>	CUSTOMER	3RD ANGLE	SIZE	SCALE	REV
	CUSTOMER DWG NO.		D	1/1	AD
	P.O. No.	EMERSON Process Management ROSEMOUNT®			
	S.O. No.				
	PROJECT NAME	ROSEMOUNT 2090P PULP AND PAPER PRESSURE TRANSMITTER			
	DR.	NV-LRB	10/26/10	DRAWING NO.	02088-1031
	APP'D	FL	1/12/13		
DO NOT SCALE PRINT		CAD MAINTAINED. (PRO/E)	PRODUCT CODE	-	DOC TYPE - SHEET 3 OF 3

TAG NO. 02088-1031
 DRAWING NO.