

ITCM Series

Weigh Modules

Installation Guide



Contents

1. Introduction	1
2. Mechanical Installation	2
2.1 General Installation Guidelines for Tension Cell Mounts	2
2.2 Installing the ITCM	5
3. Load Cell Wiring	7
4. Junction Box Connections, Adjustments & Calibration	8
5. Troubleshooting	8
6. Limited Warranty	9



1. Introduction

The ITCM Weigh Module provides excellent performance in suspended tank and hopper weighing applications. The ITCM reduces the overall assembly length to less than half of traditional tension cell hardware arrangements and offers correct alignment of the assembly. The combination of clevises and rod end ball joints isolates the load cell from extraneous forces detrimental to accurate system performance.

The ITCM incorporates an insulating system which resists the flow of stray currents through the load cell. To insulate the load cells from the clevises, the clevises incorporate nylon insulating washers, and the rod end ball joints are lined with Teflon®. A parallel grounding strap connects the two clevis assemblies to provide an alternate path to ground, preventing load cell damage from electrical spikes or stray currents.

The ITCM modules feature RL20000 series S-beam load cells and are available in a variety of capacities, ranging from 100 to 20,000 pounds per module.

A single ITCM module is often used to convert a mechanical scale to electronic operation, allowing for the added benefits of an electronic signal for process control or data collection. When an ITCM module is inserted into the steelyard rod, the mechanical beam or dial is still functional and can serve as a backup indicator.



Warning

The installation should be planned by a qualified structural engineer. Each installation is unique, and this manual is meant to serve only as a general guideline for installation.



Authorized distributors and their employees can view or download this manual from the Rice Lake Weighing Systems distributor site at www.rlws.com.

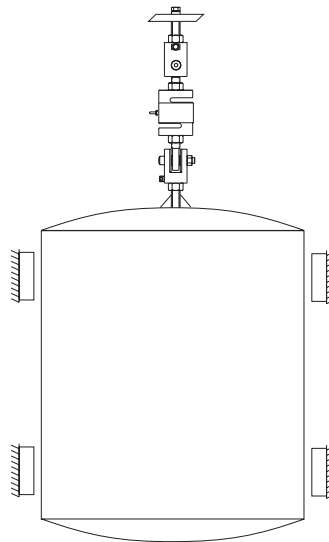
Teflon® is a registered trademark of E. I. Dupont.

2. Mechanical Installation

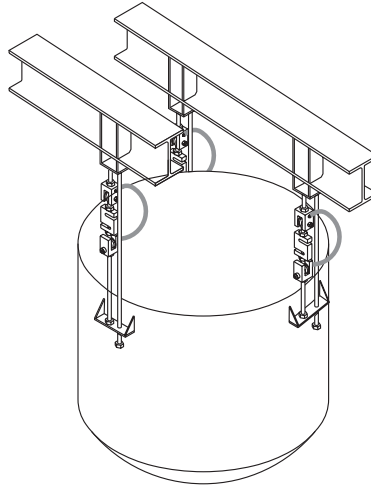
2.1 General Installation Guidelines for Tension Cell Mounts

Depending on the weighing application, ITCM modules may be used in single or multiple load cell configurations.

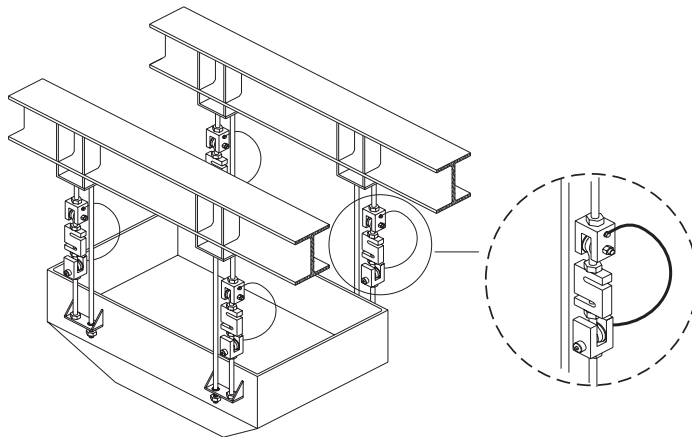
Single cell suspension configurations are relatively simple and work well in low capacity applications which have minimal disturbance from mixers, materials flow, or other agitators. For best results, the vessel should be symmetrical with respect to the suspension point and used to weigh only self-leveling materials, such as liquids. This allows the center of gravity to rise along the same vertical line each time and minimizes the tendency of the vessel to bind against the bumpers. The bumpers only serve to limit sway caused by accidental contact or other external forces. Erroneous scale readings result if the vessel contacts the bumper. Instead of bumpers, horizontal stay rods may be used to rigidly hold a vessel which has a tendency to sway sideways. Also, note that single cell systems must be restrained from rotating to prevent the suspension hardware from coming unscrewed.



Single Cell Suspension



Three Cell Suspension



Four Cell Suspension

Multiple cell suspension configurations commonly involve three or four load cells. One advantage to using three suspension points is that even weight distribution is inherent in this configuration. Support points should be equally rigid and deflect by the same amount when loaded. Otherwise, one or more of the cells may be overloaded. For maximum stability, attach suspension rods at or above the filled vessel's center of gravity. In situations where there is a potential for vibration, agitation, wind, or seismic activity, install bumpers or horizontal check rods to check the sideways motion of the vessel. See our *Weigh Modules & Vessel Weighing Systems* manual, PN 43918, for further details.



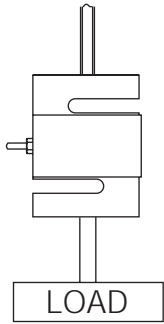
Warning

All suspended vessel weighing systems must be protected by safety check rods, chains, or other means to prevent damage or injury in the event of a failure.

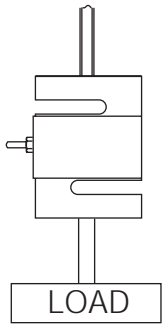
If piping or conduit is required, make sure that it runs horizontally and verify that the distance from the vessel to the first pipe support is 20 to 30 times the pipe diameter. If necessary, incorporate flexible sections into the pipe. Suspension rods should be as long as possible to minimize the introduction of side forces. For further details, see our *Weigh Modules & Vessel Weighing Systems* manual, PN 43918, for further details.

Use only hermetically sealed load cells in washdown applications. Environmentally protected load cells are not suitable for such applications and will eventually be damaged. If tanks and surrounding equipment are frequently steam cleaned, or if the load cell might be subjected to direct washdown pressure, a protective shroud for the weighing assembly is recommended.

It is important that the S-beam load cells are properly oriented with respect to the load. The cable must emerge from the dead, or fixed, end of the cell. If it emerges from the live end, it will restrain the movement of the cell. This orientation must be followed with low capacity S beams.



CORRECT



INCORRECT

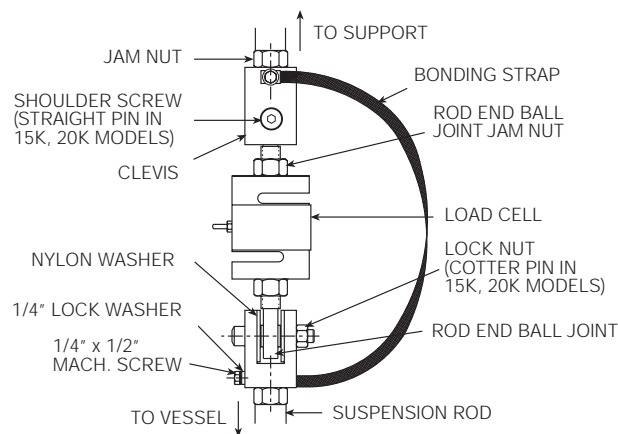
2.2 Installing the ITCM

1. Select a suspension rod of the appropriate diameter. Use a safety factor of at least 4, based on the yield strength of the rod material. If vibration or shock loads are common, then a higher factor of safety should be considered. Commercially available threaded rod is made from a low yield strength material and will not provide an adequate safety factor in many applications. When determining the rod length, subtract the length of the ITCM module from the overall suspension length, making allowance for complete thread engagement in each clevis.
2. Making certain to provide adequate thread for the jam nut, cut the suspension rod near its center point and thread the ends that screw into the ITCM module.
3. Making sure to put the jam nut on first, assemble a clevis to the top and bottom rods. Screw the rod in sufficiently so that all threads of the clevis are engaged. Lock each clevis in place using the jam nuts. The clevises should be rotated 90° relative to each other (see illustration below).
4. Initially, the lined rod end ball joints are stiffer than regular rod end ball joints. This is normal. Verify that all threads of the load cell are engaged by the rod end ball joint, then lock in place with the jam nuts provided.

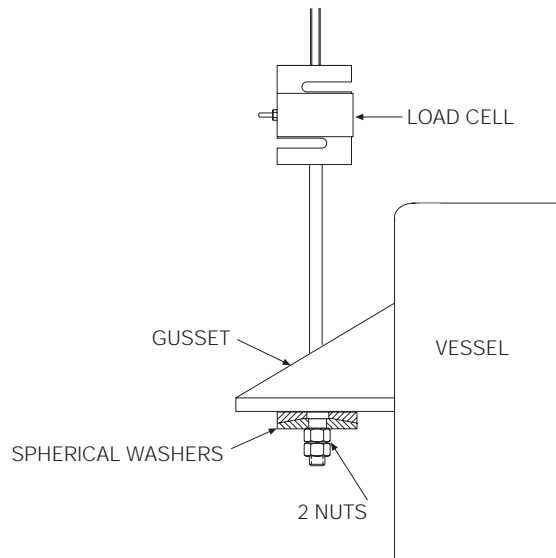
Screw the rod end ball joints into the load cell. Align one so the flat face is in the same plane as the load cell. Turn the other to 90° (see illustration).

5. Insert the rod end ball joint into the upper clevis. Place a nylon washer on each side of the rod end and insert the shoulder screw. Secure the shoulder screw with the lock nut provided. Repeat the procedure on the lower clevis.

Note: The 15K and 20K ITCM models use plain pins secured with washers and cotter pins, rather than threaded shoulder screws and lock nuts.

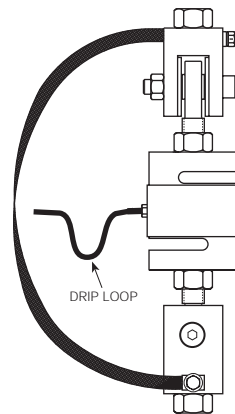


6. Remove the 1/4" machine screw and lock washer from each clevis. Fasten the bonding strap in place as shown in the illustration below. Make sure to connect the vessel or the support structure to a single system-wide ground.
7. The attachment points on the structure and vessel should be rigid to minimize deflection. Add gusset plates if necessary. Spherical washers help to minimize bending of the suspension rod due to structure or vessel deflection under load. They can also compensate for initial misalignment.
8. In multiple cell applications, adjust the length of each assembly to level the vessel. If the system consists of more than three cells, you must be sure the load is evenly distributed. This may be done by lifting or prying on the vessel at each support point, checking for even load, or by reading the dead load output from each cell. The variation in load among the cells should be no more than 20%.



3. Load Cell Wiring

1. Route the load cell cables so they will not be damaged or cut. Cables should not be routed near heat sources greater than 150 °F. Do not shorten any load cell cable. The load cell is temperature compensated with the supplied length of cable. Cutting the cable will affect temperature compensation. Coil excess cable and protect it so it will not be mechanically damaged or be sitting in water.
2. Provide a drip loop in all cables so that water or other liquids will not run directly down the cables onto either the load cells or the junction box. Attach load cell cable to the dead structure, not the vessel.
3. If conduit protection is necessary against mechanical or rodent damage to the load cell cables, use flexible conduit and conduit adapters at the load cells.
4. Connect cables for the load cells to the summing board in the junction box according to the load cell calibration certificate provided with the load cell and the labels on the terminal strips of the junction box.
5. For better performance, use positive and negative remote sense lines if the wiring run from the junction box to the indicator is longer than 25 feet.



4. Junction Box Connections, Adjustments & Calibration

- Refer to junction box manual for trimming details.
- Refer to indicator manual for system calibration details.

5. Troubleshooting

If the system powers up and gives some type of stable digital readout that varies with the load on the system, the system problems are probably caused by factors other than the load cells. Often, load cells are blamed for a malfunctioning system; 90% of the time, the problem lies elsewhere. Look for mechanical causes first.

If the system can be calibrated but doesn't return to zero, loses calibration, or demonstrates non-linearity or non-repeatability, see the following chart for possible causes and refer to the following list of checks.

Symptom	Possible Cause
No return to zero	Mechanical binding or debris in seals or under load cells; may have lost system calibration
Non-linearity	Thermal expansion or deflection under load causing binding or side load
Non-repeatability	Loose load cell mount; drifting caused by moisture, load cell overload or shock damage; mechanical binding
Lost calibration	Out of level or plumb; moisture problem; mechanical binding
Drifting readout	Moisture in junction box, cables, or load cell; mechanical binding

1. Check load cell mount for debris restricting load cell movement or debris between scale and structure.
2. Check that tank/vessel and mounts are plumb, level, and square at the critical areas.
3. Check piping and conduit for connections that restrict vessel movement.
4. If check rods are used, loosen connections to finger tight only for testing.
5. Check load cell cables for physical or water damage.
6. Check all electrical connections, especially in the junction box.

If the problem still is not found:

7. Check possible indicator malfunction by using a load cell simulator to input a known good signal into the indicator.
8. Disconnect each load cell's signal leads at the junction box and check individual load cell outputs with a multimeter. Then, check input/output impedances for comparison with load cell manufacturer's specifications.

If after all these checks the problem still cannot be isolated, reconnect all but one load cell. Replace the load cell with a load cell simulator. Alternate so that each load cell is individually disconnected and replaced with a simulator. If there is a problem with a particular load cell, the symptom should disappear when that load cell is disconnected and replaced with the simulator.

6. ITCM Limited Warranty

Rice Lake Weighing Systems (RLWS) warrants that all RLWS brand load cells properly installed by a Distributor or Original Equipment Manufacturer (OEM) will operate per written specifications. All load cell products are warranted against defects in materials and workmanship for two (2) years. Products marked as “waterproof” are warranted against defects in materials and workmanship relating to moisture ingress.

RLWS warrants that the equipment sold hereunder will conform to the current written specifications authorized by RLWS. RLWS warrants the equipment against faulty workmanship and defective materials. If any equipment fails to conform to these warranties, RLWS will, at its option, repair or replace such goods returned within the warranty period subject to the following conditions:

- Upon discovery by Buyer of such nonconformity, RLWS will be given prompt written notice with a detailed explanation of the alleged deficiencies.
- Examination of such equipment by RLWS confirms that the nonconformity actually exists, and was not caused by accident, misuse, neglect, alteration, improper installation, improper repair or improper testing; RLWS shall be the sole judge of all alleged non-conformities.
- Such equipment has not been modified, altered, or changed by any person other than RLWS or its duly authorized repair agents.
- RLWS will have a reasonable time to repair or replace the defective equipment. Buyer is responsible for shipping charges both ways.
- In no event will RLWS be responsible for travel time or on-location repairs, including assembly or disassembly of equipment, nor will RLWS be liable for the cost of any repairs made by others.

THESE WARRANTIES EXCLUDE ALL OTHER WARRANTIES, EXPRESSED OR IMPLIED, INCLUDING WITHOUT LIMITATION WARRANTIES OF MERCHANTABILITY OR FITNESS FOR A PARTICULAR PURPOSE. NEITHER RLWS NOR DISTRIBUTOR WILL, IN ANY EVENT, BE LIABLE FOR INCIDENTAL OR CONSEQUENTIAL DAMAGES.

RLWS AND BUYER AGREE THAT RLWS'S SOLE AND EXCLUSIVE LIABILITY HEREUNDER IS LIMITED TO REPAIR OR REPLACEMENT OF SUCH GOODS. IN ACCEPTING THIS WARRANTY, THE BUYER WAIVES ANY AND ALL OTHER CLAIMS TO WARRANTY.

SHOULD THE SELLER BE OTHER THAN RLWS, THE BUYER AGREES TO LOOK ONLY TO THE SELLER FOR WARRANTY CLAIMS.

No terms, conditions, understanding, or agreements purporting to modify the terms of this warranty shall have any legal effect unless made in writing and signed by a corporate officer of RLWS and the Buyer.

©1999 Rice Lake Weighing Systems, Inc. Rice Lake, WI USA. All Rights Reserved.

**RICE LAKE WEIGHING SYSTEMS
230 WEST COLEMAN STREET • RICE LAKE, WISCONSIN 54868 • USA**