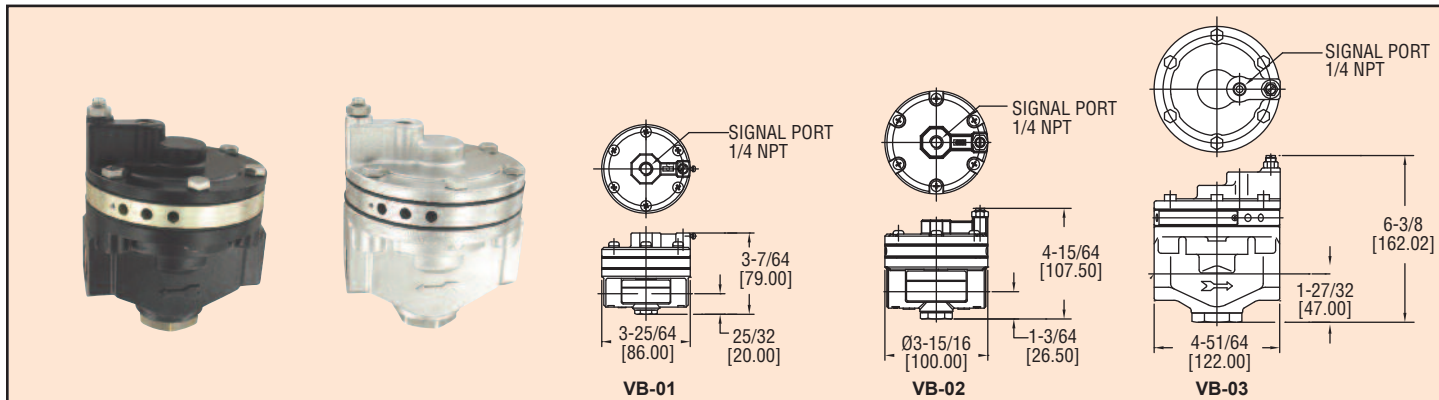




Series
VB

Volume Booster

Economical, 1:1 Ratio



The Series VB Volume Booster is a one to one signal to output relay and an ideal solution to increasing valve stroke speed. A large input signal change to the booster delivers high volume for quick throttling control. Volume booster responds to the slightest changes in input signal, which in turn increases accuracy of the output of air pressure to the actuator. This booster receives the positioner's signal output and supplies the proper air pressure to the actuator to reduce response and adjustment time. Available in aluminum or stainless steel.

Model	Cv	Weight	In/Out Connection	Construction
VB-01	1.02	1.1 lb (0.5 kg)	1/4" NPT	Aluminum
VB-01SS	1.02	2.9 lb (1.3 kg)	1/4" NPT	SS
VB-02	2.32	1.7 lb (0.76 kg)	1/2" NPT	Aluminum
VB-02SS	2.32	4.2 lb (1.9 kg)	1/2" NPT	SS
VB-03	4.98	5.1 lb (2.3 kg)	3/4" NPT	Aluminum
VB-03SS	4.98	11 lb (5 kg)	3/4" NPT	SS

SPECIFICATIONS

Service: Air only.

Wetted Materials:

- Body: Aluminum or SS;
- Diaphragm: Nitrile elastomer.

Max Supply Pressure: 145 psi (10 bar).

Max Signal/Output Pressure: 101.5 psi (7 bar).

Signal Connection: 1/4" NPT.

In/Output Pressure Ratio: 1:1.

Temperature Limits: -4 to 158°F (-20 to 70°C).

Linearity: ±1% FS.

In/Output Connection: See model chart.

Weight: See model chart.