

# POWERPAK

On-Demand Power Source for Field Instrumentation

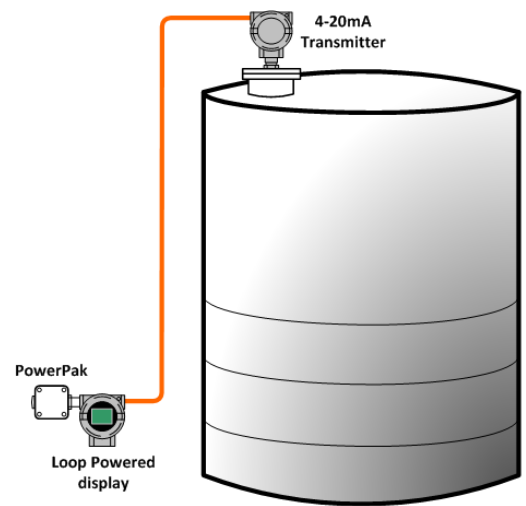
INDUSTRIAL BATTERY-POWERED POWER SUPPLY  
SMALL FACTOR THAT SCREWS INTO INSTRUMENT  
CLASS 1 DIVISION 1 CERTIFIED  
NO SOFTWARE REQUIRED TO SETUP



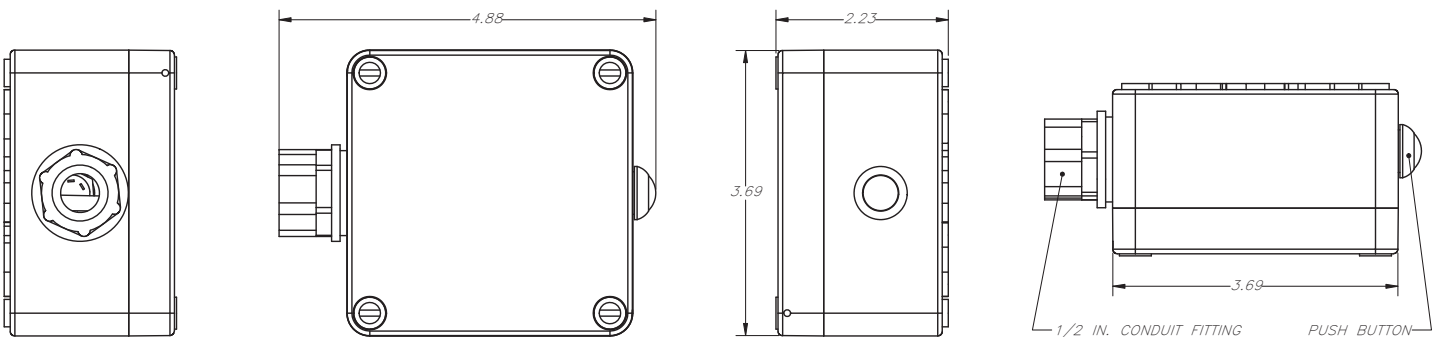
## FEATURES

- External on-demand push-for-power button
- Class 1 Division 1 certified for hazardous locations
- Industrial enclosure for outdoor use
- Settable on-time power with dip switches
- Powers 4-20mA field devices and loop-powered external display
- Replaceable battery easily replaceable
- Long battery life (350 hours @ 4mA)

## TYPICAL APPLICATION



## DIMENSIONS



# POWERPAK

On-Demand Power Source for Field Instrumentation

## TECHNICAL SPECIFICATIONS

### Operating Temp

-40 to 185°F (-40°C to 85°C)

### Humidity

0% to 100% condensing

### Power

One (1) 3.6Vdc D side size Lithium Thionyl Chloride battery

### Output

18.9Vdc @ 4mA  
15.7Vdc @ 20mA  
See chart below

### Settable On Time

Field selectable from dip switches:  
1 min, 2 min, 5 min, 10 min, Always On  
No software required

### Battery Life

- 350 hours @ 4mA
- 100 hours @ 12mA
- 50 hours @ 20mA

### Safety Rating

Class I, Division 1, Groups C-D, T3  
Class I Zone 0 AEx ia IIB T3 Ga  
Ex ia IIB T3 Ga;  $-40^{\circ}\text{C} \leq T_{\text{amb}} \leq +50^{\circ}\text{C}$

### Enclosure

IP64 Industrial polycarbonate  
UV rated

### Electrical Connections

1/2" NPT external connection  
16 awg internal screwed terminals

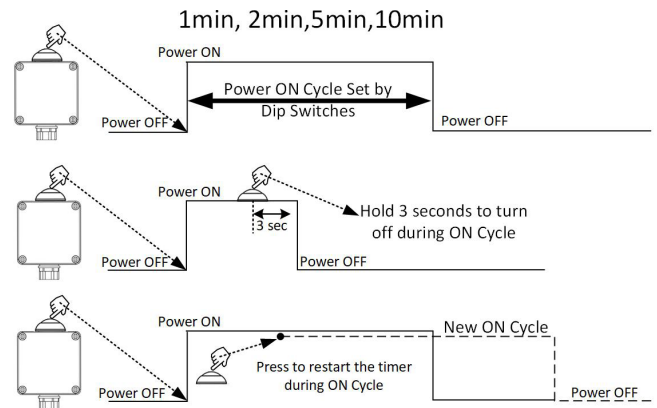
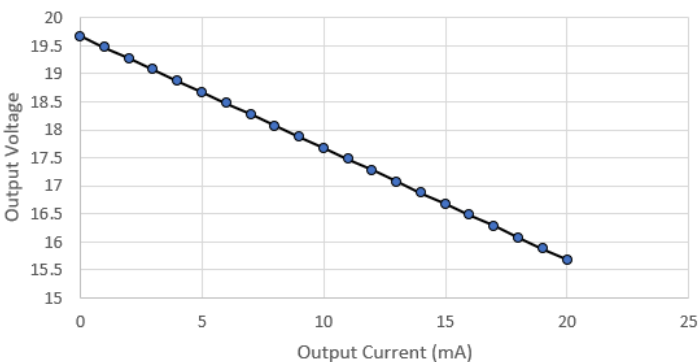
### Weight

1lb (0.6kg)

### Dimensions

4.9" x 3.7" x 2.2"  
12.4cm x 9.1cm x 5.7cm

PowerPAK Output Electrical Characteristics



## HOW TO ORDER

### Model:

PowerPak-1BIS

### Dip Switches set ALWAYS ON

