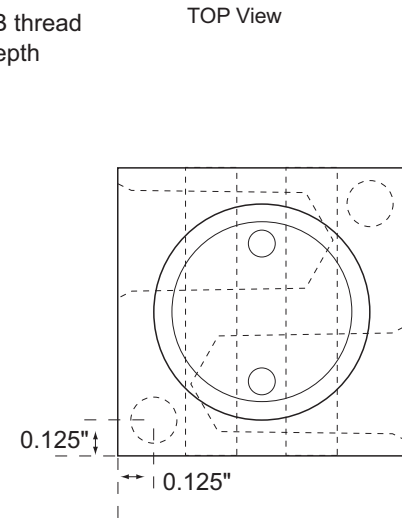
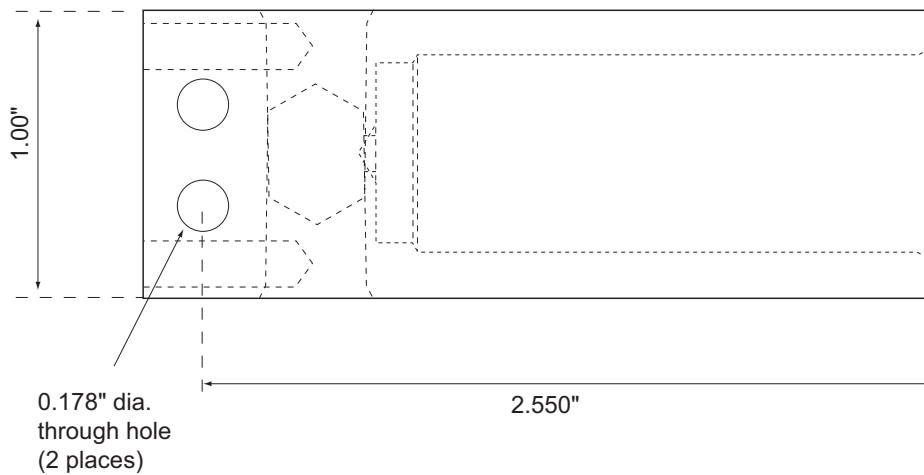
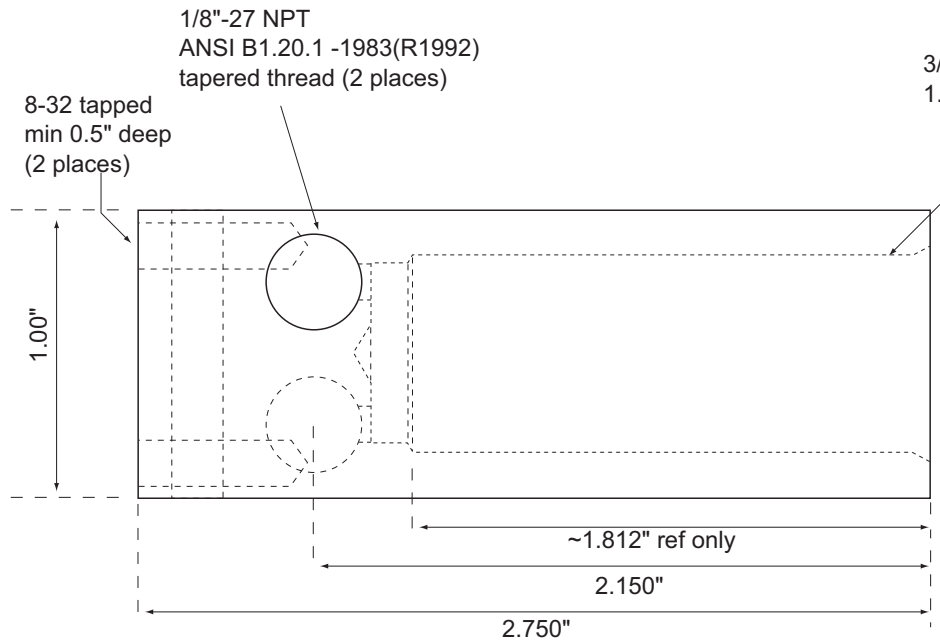



These drawings and any specifications and concepts contained are the property of Phymetrix Inc., are issued in strict confidence and shall not be used as the basis for the manufacture or sale of apparatus or services, or reproduced or copied or transmitted in any form or by any means without written permission.



 PhyMetrix®	Title: Sample Cell	
	Drawn by: BB	Date: 9/22/10
Unless otherwise specified dimensions are in inches .x +/- 0.020" .xx +/- 0.010" .xxx +/- 0.005"	Scale: 1:1.5	Page: 1 of 1
	Part Number: 0211-0400	Rev: 0