



PT41 SERIES

- Gauge ranges from 23,000 psig to 145,000 psig
- Current and voltage outputs available
- Elgiloy and 17-4PH Stainless Steel wetted parts
- CE compliant to suppress RFI, EMI and ESD
- RoHS compliant

APPLICATIONS

- Laboratory & test equipment
- Power generation
- Stamping & forming presses
- High pressure cleaning
- Waterjet cutting

SPECIFICATIONS

Output signals	4 mA to 20 mA, 2-wire; 0 Vdc to 5 Vdc, 0 Vdc to 10 Vdc, 3-wire
Pressure ranges	Gauge ranges from 23,000 psi through 145,000 psi
Accuracy*	±0.50% of span, optional ±0.25% of span, non-linearity best fit straight line per IEC 61298-2 at reference conditions
Adjustment	± 10% full scale for zero and span
Response time	< 1 ms (between 10% and 90% full scale)
Temperature ranges*	Compensated: 32 °F to 176 °F (0 °C to 80 °C) Media: 32 °F to 176 °F (0 °C to 80 °C) Ambient: -4 °F to 176 °F (-20 °C to 80 °C) Storage: -40 °F to 185 °F (-40 °C to 85 °C)
Power requirement*	10 Vdc to 30 Vdc: 4 mA to 20 mA, 2-wire, 0 Vdc to 5 Vdc, 3-wire 14 Vdc to 30 Vdc: 0 Vdc to 10 Vdc, 3-wire
Proof & burst pressure	See user manual
Measuring element	Elgiloy and 17-4PH Stainless Steel
Process connection	17-4PH Stainless Steel
Housing material	316 Stainless Steel
Environmental rating	IP65: DIN EN 175301-803 Form C IP67: 4-pin Bayonet, 6-pin Bayonet, 1/2" NPT conduit, M12 x 1 (4-pin), Integral cable
Electromagnetic rating	CE compliant to EMC norm EN 61326:2014/A1:1998 RFI, EMI and ESD protection
Electrical protection	Reverse polarity, overvoltage and short circuit protection
Shock	100 g's according to IEC 60068-2-27
Vibration	15 g's according to IEC 60068-2-6
Weight	Approximately 7.5 oz.

* See user manual for detailed specifications



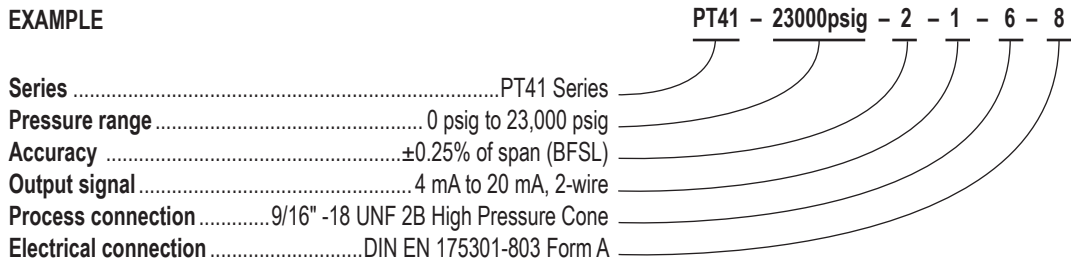
WARNING: This product can expose you to chemicals including Nickel, which is known to the State of California to cause cancer and birth defects or other reproductive harm. For more information go to www.P65Warnings.ca.gov

ORDERING INFORMATION			
SERIES	PT41		
PRESSURE RANGES	23000psig	0 psig to 23,000 psig	58000psig 0 psig to 58,000 psig
	30000psig	0 psig to 30,000 psig	72000psig 0 psig to 72,000 psig
	36000psig	0 psig to 36,000 psig	87000psig 0 psig to 87,000 psig
			100000psig 0 psig to 100,000 psig
			115000psig 0 psig to 115,000 psig
			145000psig 0 psig to 145,000 psig
		psig = gauge pressure Other ranges available on request	
ACCURACIES	1	±0.50% (of span, non-linearity, BFSL per IEC 61298-2 at reference conditions)	2 ±0.25% (of span, non-linearity, BFSL per IEC 61298-2 at reference conditions)
OUTPUT SIGNALS	1	4 mA to 20 mA, 2-wire	2 0 Vdc to 5 Vdc, 3-wire
			5 0 Vdc to 10 Vdc, 3-wire
PROCESS CONNECTION	6	9/16 -18 UNF 3B high pressure cone* Other connections available upon request	
ELECTRICAL CONNECTIONS	3	6-pin Bayonet	18 DIN EN 175301-803 Form A w/ 3 ft. cable
	8	DIN EN 175301-803 Form A	25 M12 x 1 (4-pin)
	14	DIN EN 175301-803 Form A with 1/2" NPT female conduit	36 3 ft. Integral cable
	16	1/2" NPT conduit w/ 3 ft. cable	

Please consult your local NOSHOK Distributor or NOSHOK, Inc. for availability and delivery information.

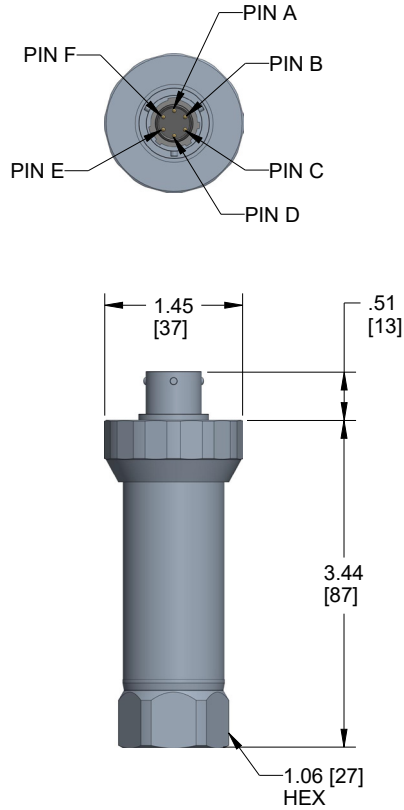
* Equivalent to F250C Parker Autoclave

EXAMPLE

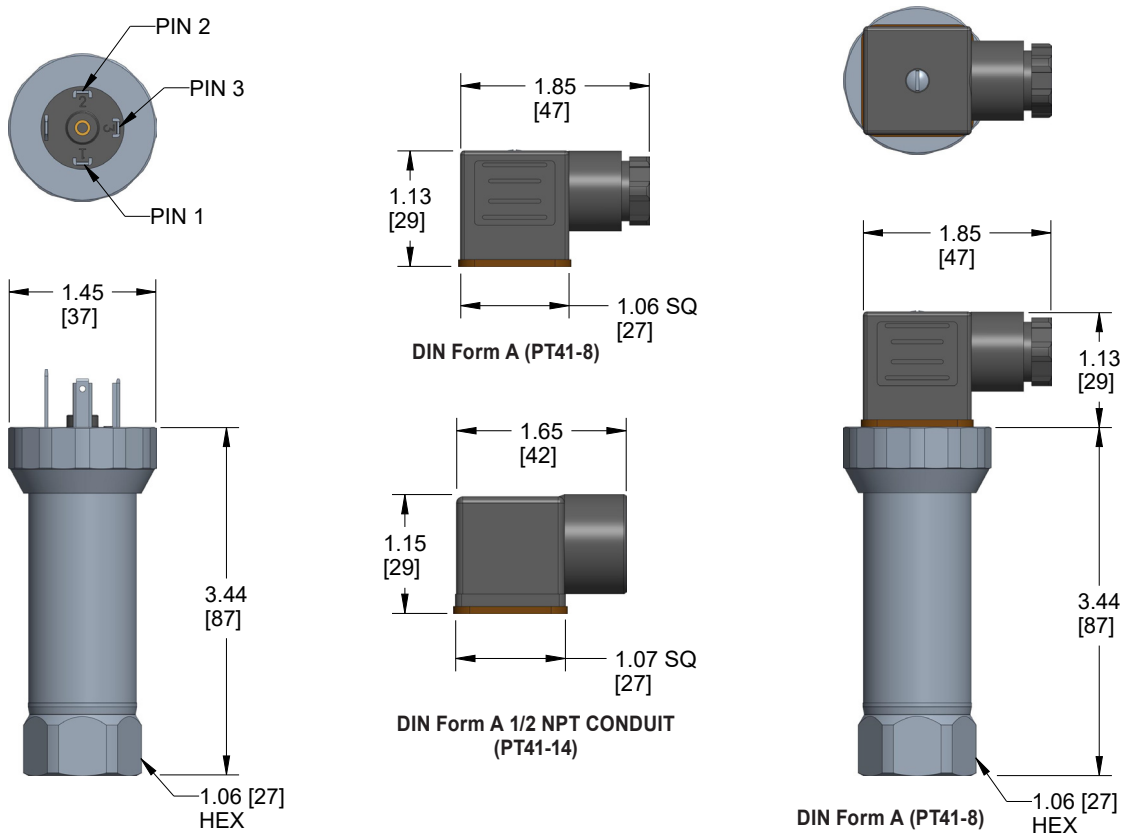


Dimensions

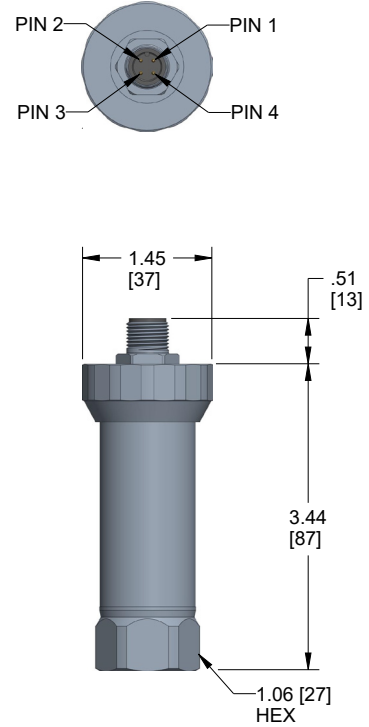
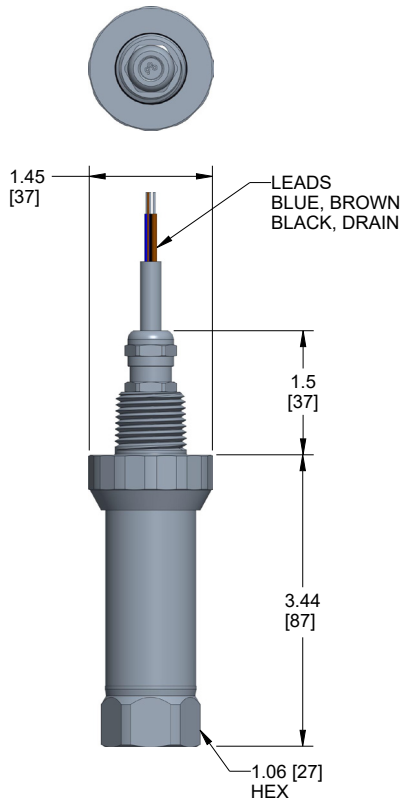
PT41-3 (6-Pin Bayonet)



PT41 (DIN EN 175301-803 Form A)



PT41-16 (1/2" NPT conduit w/ 3 ft. Cable) PT41-25 (M12 x 1 4-pin)



PT41-36 (3 ft. Integral Cable)

