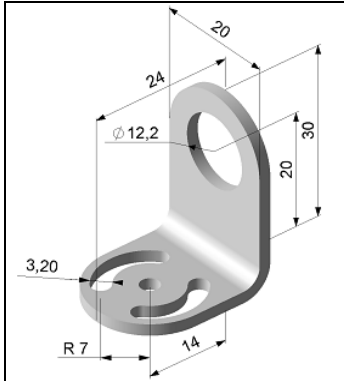
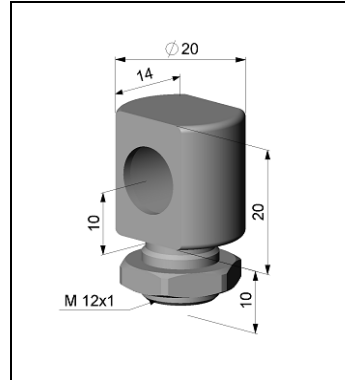


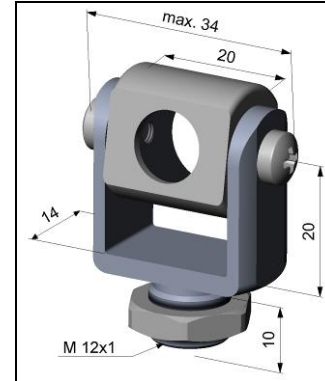
3.1 Mounting Accessories



Mounting bracket, adjustable in one axis [ACCTFB]



Mounting bolt with M12x1 thread, adjustable in one axis [ACCTMB]



Mounting fork with M12x1 thread, adjustable in 2 axes [ACCTMG]



Mounting bracket, adjustable in two axes [ACCTAB] consisting of: ACCTFB and ACCTMB

The Mounting fork can be combined with the Mounting bracket [ACCTFB] using the M12x1 thread.