

OPTIWAVE 1400

Radar (FMCW) Level Transmitter



Installation, assembly, start-up and maintenance may only be performed by appropriately trained personnel.



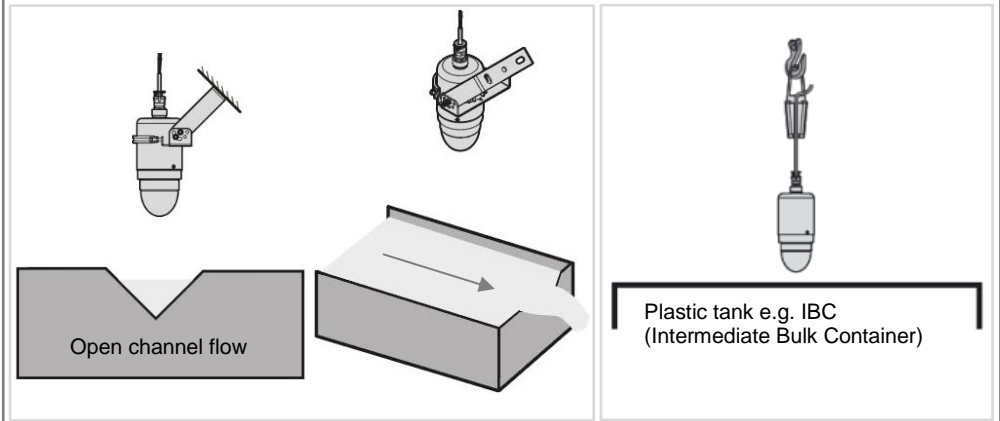
The responsibility as to the suitability, intended use and corrosion resistance of the used materials against the measured fluid of this device rests solely with the operator.



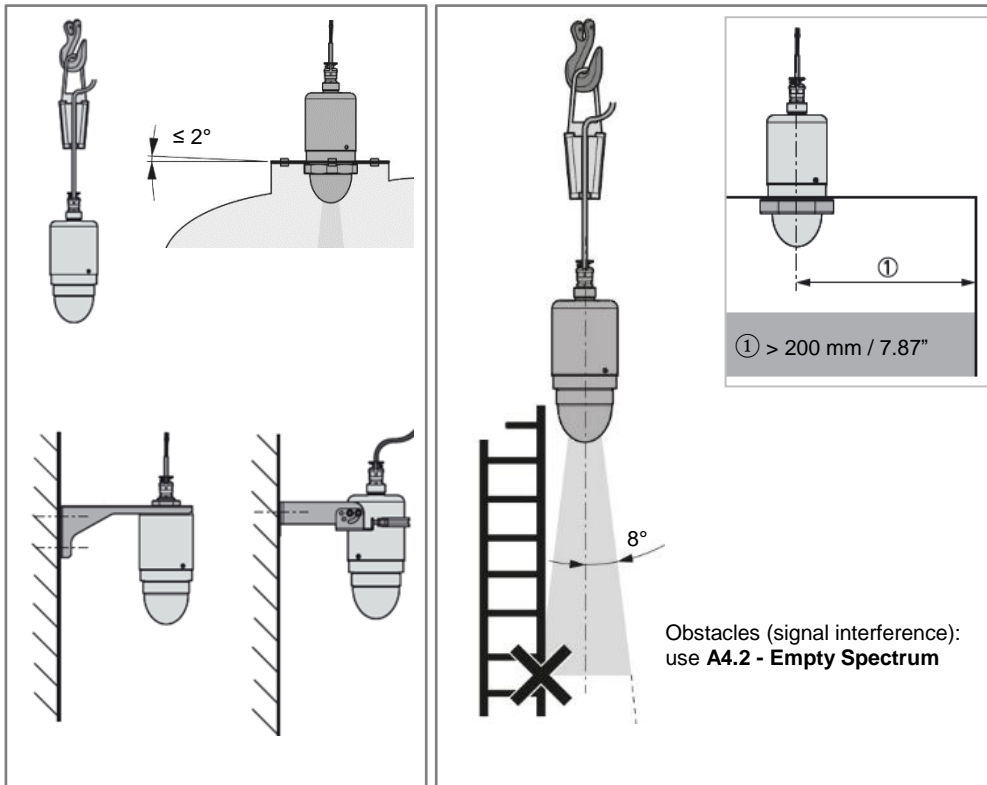
For complete documentation (manuals, supplementary manuals, data sheets and certificates) please refer to www.krohne.com/Downloads.



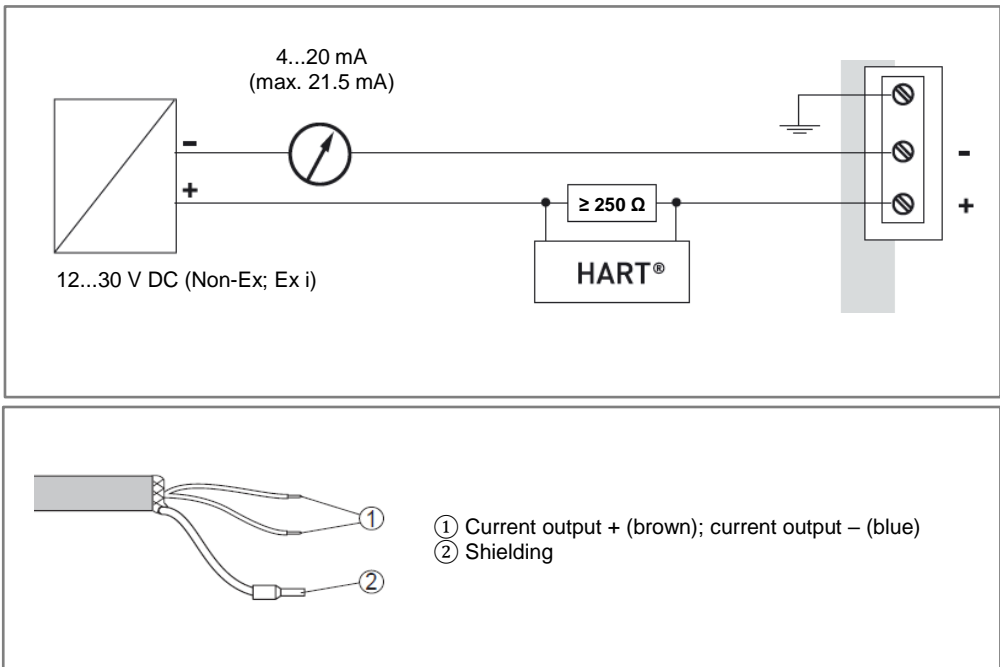
Typical applications



1 Installation

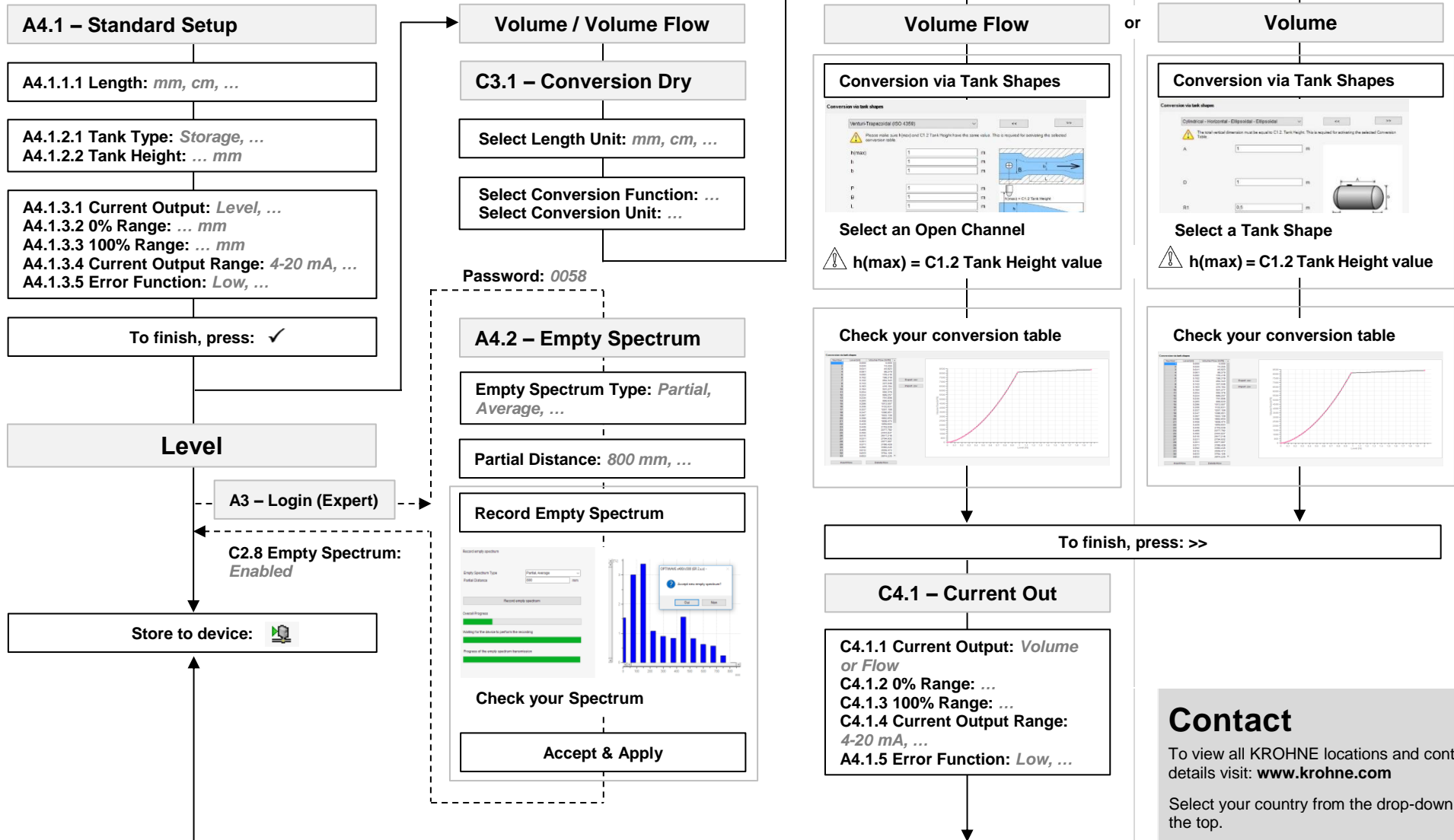


2 Electrical connection



3 Auto Setup

Use PACTware™ and the respective DTM to commission the device on site



Contact
 To view all KROHNE locations and contact details visit: www.krohne.com
 Select your country from the drop-down list at the top.